

SINK DESCRIPTION

- Manufactured of ultra durable, scratch resistant granite material
- Sink will replace standard double bowl dimensions 33" x 22"
- Smaller bowl design is 8" x 17" x 7-1/2" and the larger bowl is 20-5/8" x 17" x 9-1/2"
- The sink ledge has one fixture mounting hole, 1-3/8" ± 1/8" in diameter with 6 additional "knock out" type holes provided
- The bowl has one 3-1/2" diameter recessed drain opening in each bowl
- Includes all necessary mounting hardware (sealant supplied by others)
- This model is designed for under counter mounting, specify Moen Service Kit # 100509D which includes mounting hardware, template and installation instructions.

CUT OUT DIMENSIONS

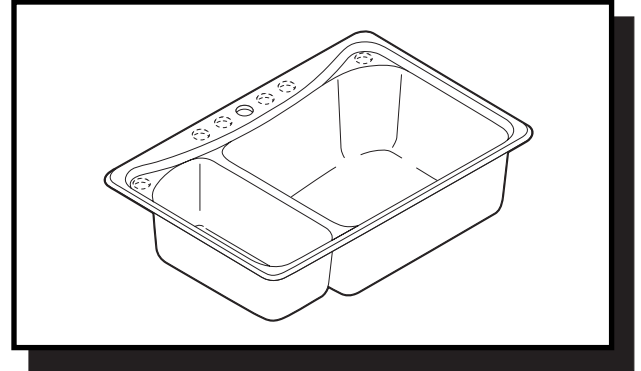
- Cutout is made by installer and should be 32" x 21-1/8"
- Order template separately: Order kit # 100507D (drop-in and undermount on one template).

STANDARDS

- Third party certified by IAMPO to meet ANSI Z-124.6-97 and all applicable specifications referenced therein.

WARRANTY

- Fifteen year limited warranty against material or manufacturing defects



MoenStone® Double Bowl Kitchen Sink Model Numbers:

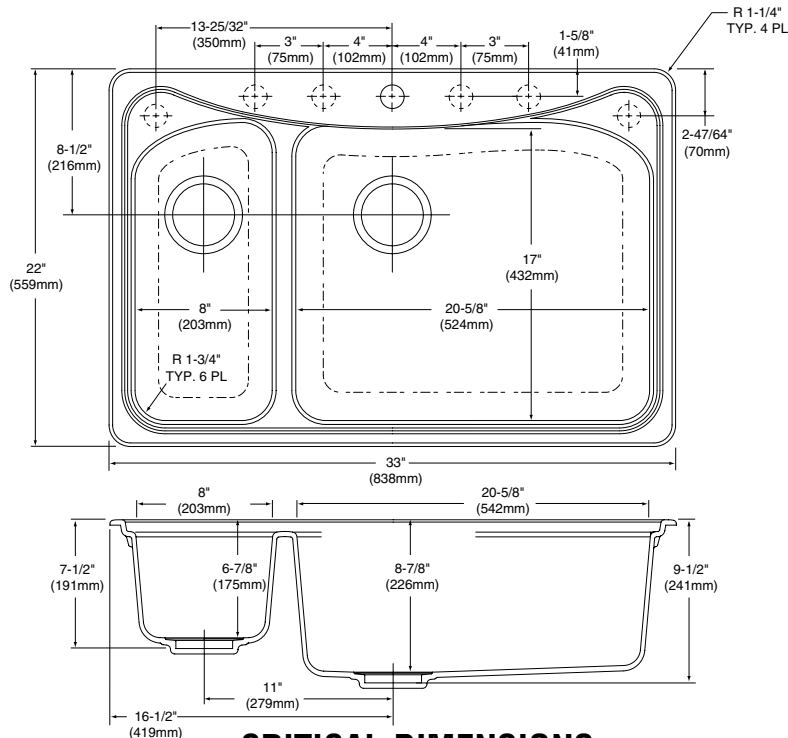
Standard Colors:

- 25450W White
- 25450V Ivory
- 25450BK Black

Premium Colors:

- 25450BL Blue
- 25450M Metallic

NOTE: MAXIMUM DECK THICKNESS IS 1-9/16" (40mm)



CRITICAL DIMENSIONS

(DO NOT SCALE)