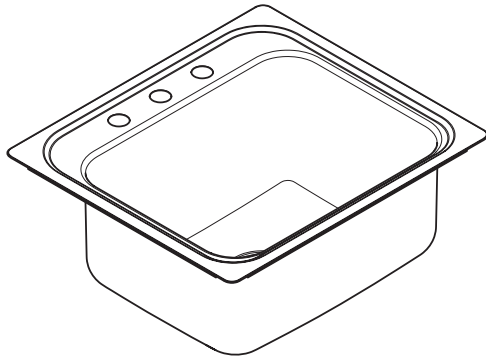




Buy it for looks. Buy it for life.®

Specifications



Model Number	Faucet Holes	Depth-Inches	Drain Placement	Model Specified
G181953Q	3	10	Center	
G181954Q	4	10	Center	

SINK DESCRIPTION

- 1800 Series single bowl drop-in sink
- 18 gauge stainless steel, Brushed finish
- Center drain, 1 to 4 faucet holes as indicated
- SoundSHIELD sound absorbing system
- Includes QuickMount™ installation hardware

CUT OUT DIMENSIONS

- 24 3/8" x 21 3/8" with 3/8" corner radius. Tolerance of plus or minus 1/16" is acceptable

STANDARDS

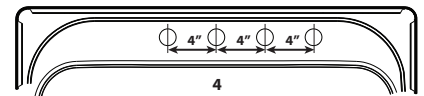
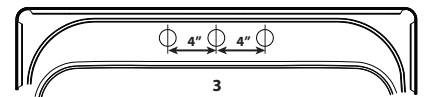
- Third party certified by IAPMO to meet ASME A112.19.3 and all applicable specifications referenced therein

WARRANTY

- Lifetime limited warranty to the original homeowner
- 10 year limited warranty when used in a multifamily installation
- 5 year limited warranty when used in a commercial installation
- Visit www.moen.com/customer-support/warranty for complete details and limitations

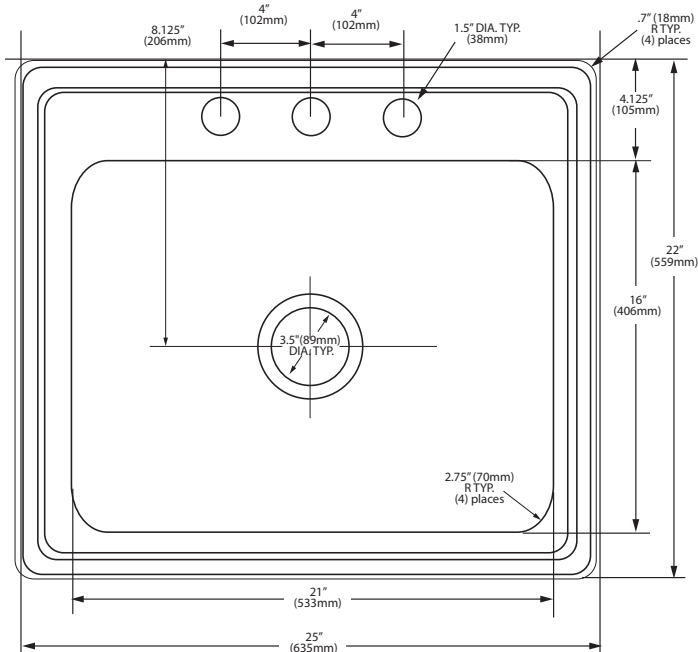
Faucet Hole Configurations

1-1/2" (38mm) diameter faucet holes
4" (102mm) Center



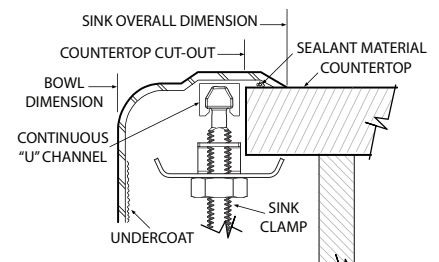
CRITICAL DIMENSIONS

(DO NOT SCALE)



MADE IN THE USA

Installation Detail



FOR MORE INFORMATION CALL: 1-800-BUY-MOEN

www.moen.com