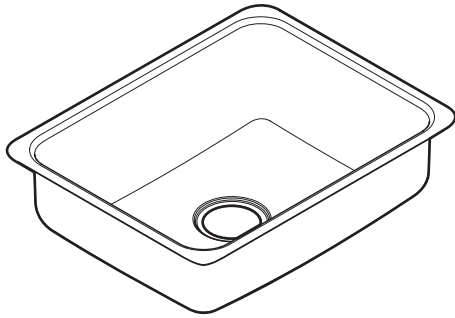




Buy it for looks. Buy it for life.®

# Specifications



Model Number	Depth-Inches (left bowl, right bowl)	Drain Placement	Model Specified
G20192	7.5	Center	
G20192B	7.5	Rear	
G20193	6.5	Center	
G20193B	6.5	Rear	
G20194B	5.5	Rear (Left)	

## SINK DESCRIPTION

- 2000 Series single bowl undermount sink
- 20 gauge stainless steel, Brushed finish
- Center or rear drain, location as noted
- Mounting brackets included, other standard mounting hardware and silicone sealant not included
- SoundSHIELD™ sound absorbing system

## CUT OUT DIMENSIONS

- Template included - template number 22507

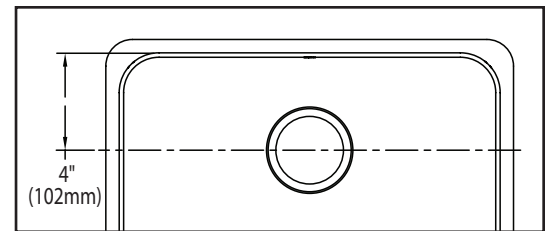
## STANDARDS

- Third party certified by IAPMO to meet ASME A112.19.3/CSA B45.4 and all applicable specifications referenced therein
- Rear drain configurations compliant with ADA installation requirements

## WARRANTY

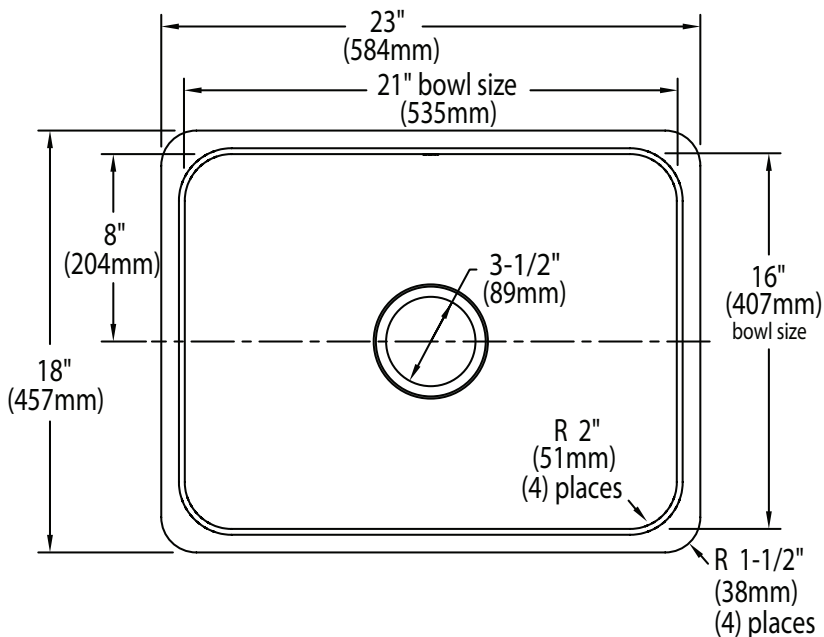
- Limited lifetime warranty against material or manufacturing defects to the original consumer purchaser

## Rear Configuration



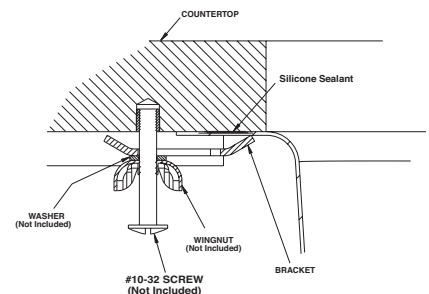
## CRITICAL DIMENSIONS

(DO NOT SCALE)



MADE IN THE USA

## Installation Detail



FOR MORE INFORMATION CALL: 1-800-BUY-MOEN

www.moen.com