

### Disposal Description

- Part of the Moen Disposal Host™ Series: designed for advance cleanup power. Built for powerful performance and reliable functionality.
- 3/4 Horsepower VORTEX™ Motor has powerful grinding capabilities to eliminate tough kitchen scraps. Motor technology designed to help reduce jamming.
- Universal Xpress Mount™ fits all Moen and most existing 3-bolt mounting assemblies
- Pre-installed power cord - a savings over models where cord must be purchased separately, cord easily removes for optional hardwiring
- SoundSHIELD™ sound deadening insulation
- Compact design frees up space under the sink
- Continuous feed with galvanized steel grind components
- Manual Reset Button
- Garbage disposals reduce waste sent to landfills making it an eco-friendly option for your home

### Included Components

- GX575c Disposal Unit with Universal Xpress Mount™
- Pre-installed Power Cord, Hardwire Capable
- Removable Splash Guard
- Drain Stopper and Polished Stainless Steel Sink Flange
- Drain Elbow and Mounting Assembly

### Warranty & Assurance

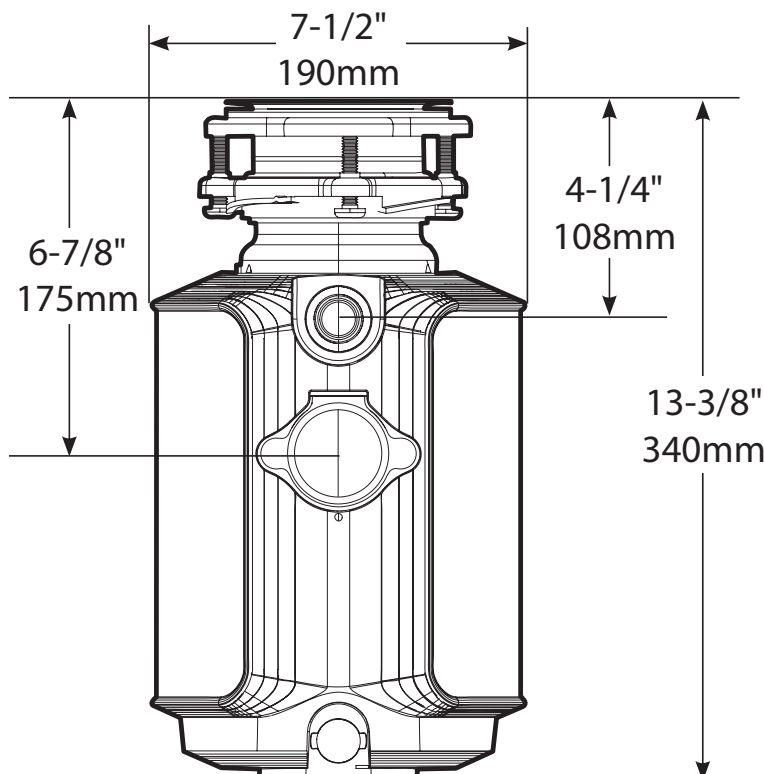
- 10 year limited warranty with in-home service
- Safe for use with properly sized septic systems



Model: GX575c



### Critical Dimensions



| Specification Detail         |  |
|------------------------------|--|
| Horsepower                   | 3/4 HP   |
| Feed Type                    | Continuous                                       |
| On/Off Controls              | Wall Switch                                      |
| Motor Type                   | Permanent Magnet Motor                           |
| RPM (Revolutions Per Minute) | 2700   |
| Weight                       | 10.25 lbs./ 4.65 kg                              |
| Volts                        | 115  |
| Hz/Amps                      | 60/4.5   |
| Drain Connection Size        | 1 1/2" / 38mm                                    |
| Dishwasher Connection Size   | 7/8" / 22mm                                      |
| Maximum Sink Thickness       | 1/2" / 13mm                                      |
| Sink Drain Flange Finish     | Polished Stainless Steel                         |
| Grind Component Material     | Galvanized Steel                                 |
| Grind Chamber Material       | Corrosion Proof Glass Filled Polyester and Nylon |