

MOEN® *The Chef* Series

Specifications

Disposal Description

- Part of the Moen Disposal Chef™ Series: for the strongest cleanup. Built for powerful performance and reliable functionality.
- 360° Clean Rinse design eliminates odors
- 1 Horsepower VORTEX™ Motor has more grinding power and strength for tougher kitchen tasks. Motor technology designed to help reduce jamming.
- Universal Xpress Mount™ fits all Moen and most existing 3-bolt mounting assemblies
- Pre-installed power cord - a savings over models where cord must be purchased separately, cord easily removes for optional hardwiring
- SoundSHIELD™ sound deadening insulation
- Compact design frees up valuable space under the sink
- Continuous feed with stainless steel grind components
- Manual Reset Button
- Garbage disposals reduce waste sent to landfills making it an eco-friendly option for your home

Included Components

- GX100c Disposal Unit with Universal Xpress Mount™
- Pre-installed Power Cord, Hardwire Capable
- Removable Splash Guard
- Polished Stainless Steel Sink Flange and Drain Stopper
- Drain Elbow and Mounting Assembly

Warranty & Assurance

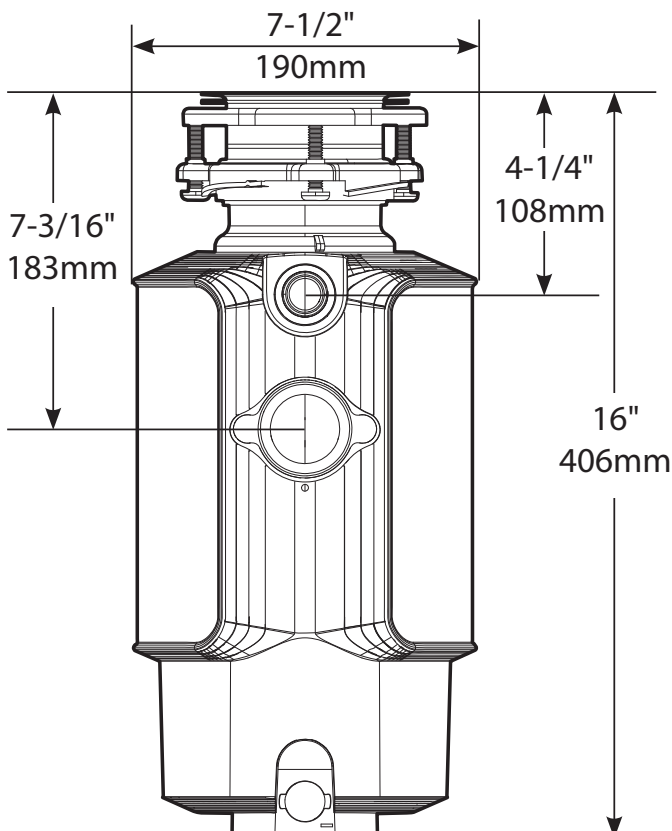
- 10 year limited warranty with in-home service
- Safe for use with properly sized septic systems



Model: GX100c



Critical Dimensions



| Specification Detail | |
|------------------------------|--|
| Horsepower | 1 HP |
| Feed Type | Continuous |
| On/Off Controls | Wall Switch |
| Motor Type | Permanent Magnet Motor |
| RPM (Revolutions Per Minute) | 2800 |
| Weight | 13 lbs. / 6 kg |
| Volts | 115 |
| Hz/Amps | 60/7.0 |
| Drain Connection Size | 1 1/2" / 38mm |
| Dishwasher Connection Size | 7/8" / 22mm |
| Maximum Sink Thickness | 1/2" / 13mm |
| Sink Drain Flange Finish | Polished Stainless Steel |
| Grind Component Material | Stainless Steel |
| Grind Chamber Material | Corrosion Proof Glass Filled Polyester and Nylon |