

FAUCET DESCRIPTION

- Brass construction with chrome plated finish
- 4" centerset
- 1/2" IPS connections
- Vandal resistant aerator

OPERATION

- 4" wrist blade handles with hot and cold color indicators*
- *Smooth handle models have hot and cold color indicator at torx head screw
- Vandal resistant torx head screws

FLOW

- Water usage is limited to these maximum flow rates as indicated by the corresponding product markings
 - 1.2 gpm max (4.5L/min) at 60 psi

CARTRIDGE

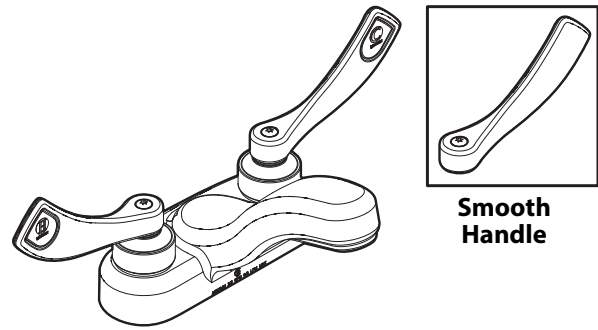
- Brass shell, ceramic disc cartridge
- 1/4 turn operation

STANDARDS

- Third party certified to WaterSense®, ASME A112.18.1/CSA B125.1 and all applicable requirements referenced therein
- Certified to NSF 61/9 & 372
- Products marked with 1.2 gpm are compliant with California water efficiency regulations
- Complies with California Proposition 65 and with the Federal Safe Drinking
- **ADA** for lever handles

WARRANTY

- Warranted for five years against material or manufacturing defects

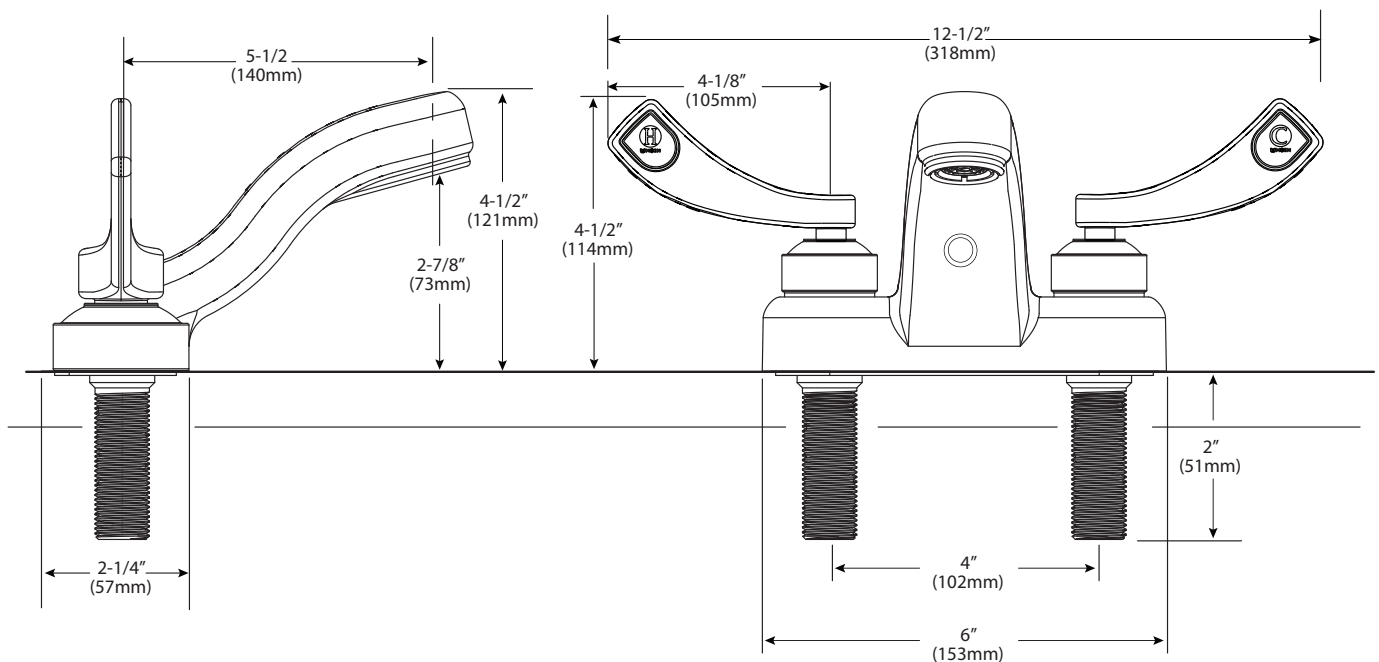


Smooth Handle

Two-Handle Lavatory Faucet				
MODEL	FLOW (gpm/Lpm)	DRAIN	HANDLE STYLE	WATERSENSE CERTIFIED
8215F12	1.2/4.5	Without	Decal	X
8215SMF12	1.2/4.5	Without	Smooth	X



NOTE: Designed to be installed through 2 holes - 1" (25mm) min. dia.



CRITICAL DIMENSIONS

(DO NOT SCALE)