

Method™ Technical Specification

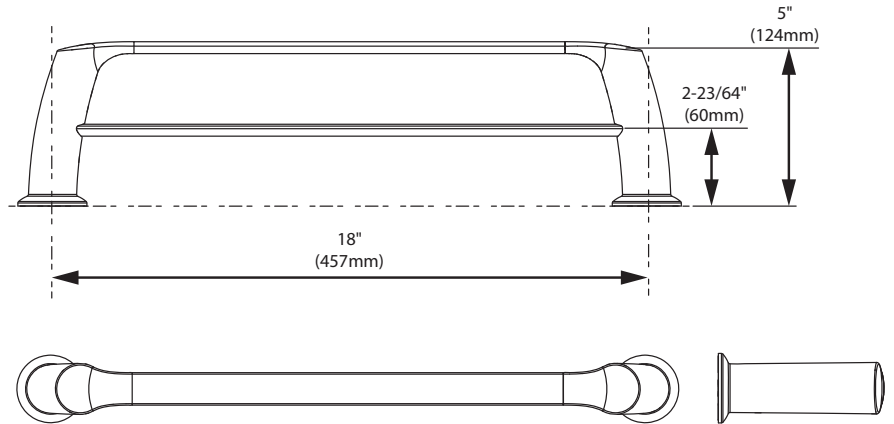
18" Double Towel Bar

YB2422

Stock Numbers:

- **YB2422CH – 18" Double Towel Bar**
Chrome Finish
- **YB2422BN– 18" Double Towel Bar**
Brushed Nickel Finish

Dimensions:



Materials:

18" Double Towel Bar posts are constructed of zinc. Bar is stainless steel.

Installation Instructions:

1. Remove the mounting post from the body by loosening the setscrew.
2. Position the mounting template on the wall in the desired location. Using a level, align the template and tape it to the wall.
3. Drill pilot holes in marked location, remove template from wall
4. Attach mounting post to wall using anchors in predrilled pilot holes
5. Tighten all screws.
6. Place each post over the mounting plate with setscrew down. Tighten both setscrews.

Installation Instructions:

To preserve the fine finish of this product, clean only with a soft damp cloth. Dry well. Do not use commercial or abrasive cleaners.



Buy it for looks. Buy it for life.®

Stock Number: _____ 18" Double Towel Bar
By MOEN

25300 AL MOEN DRIVE • NORTH OLMSTED, OH 44070
CORPORATE HEADQUARTERS: (800) 321-8809 • FAX: (800) 848-6636
INTERNATIONAL: (440) 962-2000 • FAX: (440) 962-2726
CUSTOMER SERVICE (USA): (800) 882-0116 • FAX: (888) 379-2720
WWW.MOEN.COM