



Buy it for looks. Buy it for life.®

# Specifications

## SINK DESCRIPTION

- Manufactured of 20 gauge, stainless steel
- Bowl dimensions are 14" x 18" X 8" and 14" x 16" x 8"
- The sink ledge has two fixture mounting holes, 1-1/2" in diameter, one on center and one to the right side
- Faucet SKU 158779SRS is included
- One 3-1/2" diameter recessed drain opening in each bowl
- Soundshield™ undercoating maximizes sound deadening and inhibits condensation
- Made in U.S.A.
- Includes all necessary mounting hardware for top-mount installation
- Does not include mounting hardware for under-mount installation

## CUT OUT DIMENSIONS

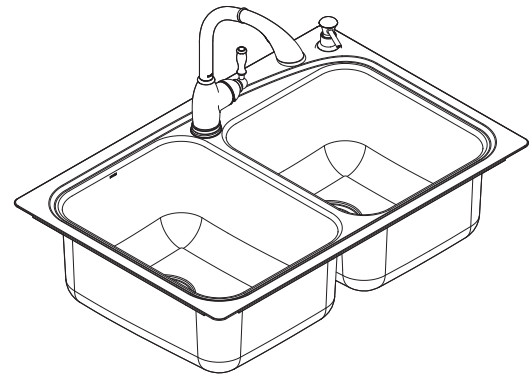
- Cut out dimensions are 32-3/8" x 21-3/8", with a 3/8" corner radius (top mount)
- Cut out profile is shown on included template (under mount)
- A tolerance of ±1/16" is acceptable

## STANDARDS

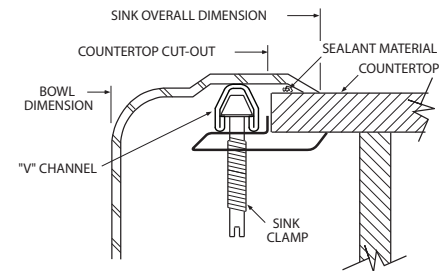
- Third party certified by IAPMO to meet ASME A112.19.3/CSA B45.4 and all applicable specifications referenced therein

## WARRANTY

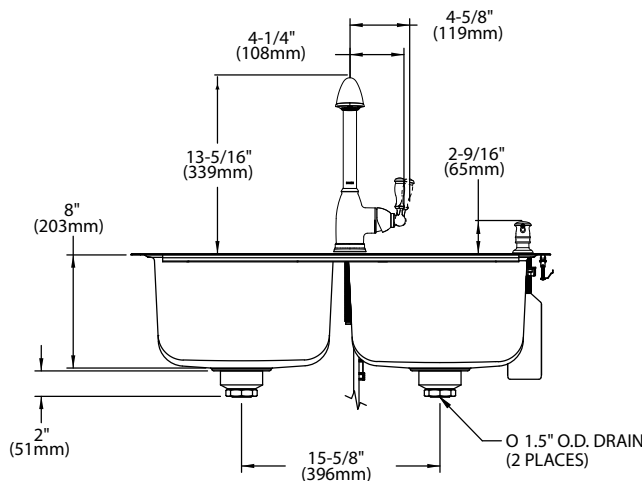
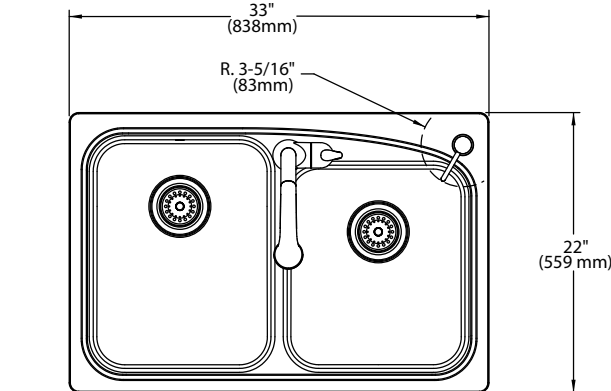
- Lifetime limited warranty against material or manufacturing defects to the original consumer purchaser



**Emi™**  
**Offset Double Bowl Sink w/Faucet**  
**Model: 21657**

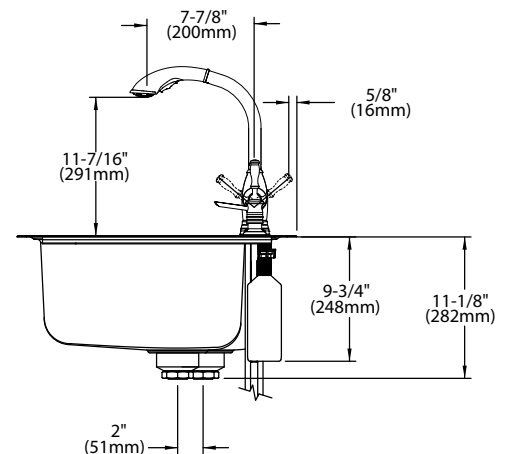


**Installation Detail**



## CRITICAL DIMENSIONS

(DO NOT SCALE)



FOR MORE INFORMATION CALL: 1-800-BUY-MOEN

[www.moen.com](http://www.moen.com)