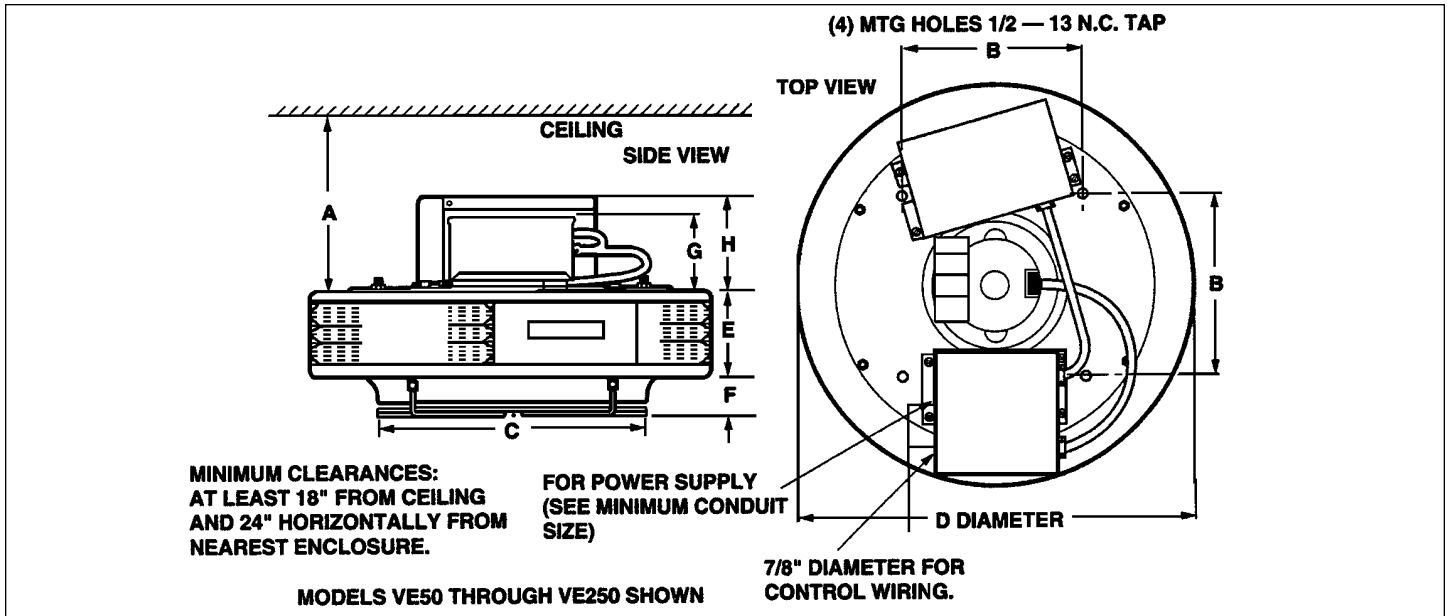


## SUBMITTAL DATA vertical electric unit heaters



### Dimensions

Dimensions	Models			
	VE50 VE75	VE100 VE150	VE200 VE250	VE300 VE400-500
A	18	18	18	18
B	11-3/8	11-3/8	11-3/8	18-3/8
C	14-1/2	14-1/2	14-1/2	19-1/2
D	24-7/8	24-7/8	24-7/8	34-7/8
E	4-1/4	5	5	8-5/8
F	4-3/4	4-3/4	4-3/4	2-1/8
G	4-3/4	4-3/4	4-3/4	4-3/4
H	6-1/4	6-1/4	6-1/4	6-1/4
Fan Diameter	14	14	14	19
Approx. Shipping Wt., Lbs.	62	68	72	129

All dimensions in inches.

### Motor Specifications

Model	Hp	Voltage	Phase	Amp	Hertz	RPM	Motor Type w/TOL	Bearing Type
VE50-100	1/15	208-230	1	1.28	60	1050	Totally Enclosed Shaded Pole	Sleeve
VE150-250	1/8	208-230	1	1.00	60	1725	Totally Enclosed PSC	Ball
VE300-500	1/6	208-230	1	1.54	60	1075	Totally Enclosed PSC	Ball

### Wiring Data

Model No.	Max Capacity	Power Supply	Total** Amps (Approx.)	Min. Wire Size (AWG)	Wire Type	Conduit Minimum Size
VE50	5 KW 17,100 BTU	240/1	22.1	10	TW 60°C	1/2
		208/3	15.2	12		1/2
		480/3	7.3	14		1/2
VE75	7.5 KW 25,600 BTU	240/1	32.5	6	TW 60°C	1
		208/3	22.1	10		1/2
		480/3	10.3	14		1/2
VE100	10 KW 34,100 BTU	240/1	42.9	6	TW 60°C	1
		208/3	29.0	8		3/4
		480/3	13.3	12		1/2
VE150	15 KW 51,200 BTU	208/3	42.6	6	TW 60°C	1
		240/3	37.1	6		1
		480/3	19.0	10		1/2
VE200	19 KW 64,900 BTU	240/3	46.7	4	TW 60°C	1
		480/3	23.9	10		1/2
VE250	25 KW 85,400 BTU	480/3	31.1	8	TW 60°C	3/4
VE300*	30 KW 102,000 BTU	480/3	37.6	6	THW 75°C	1
VE400*	40 KW 136,000 BTU	480/3	49.7	6	THW 75°C	1
VE500*	50 KW 171,000 BTU	480/3	61.7	4	THW 75°C	1

\* On first stage operation of these models the capacity and amps are approximately one-half those shown.

\*\* NEC fuse requirements are 125 percent of total amperes. Includes fan motor current. Check with local area code. All contractor coils are rated at 208-240 volts.

All motors and voltages are 60 Hz power only.