

INSTALLATION INSTRUCTIONS

low voltage control electric unit heaters

! WARNING

1. Disconnect power supply before making wiring connections to prevent electrical shock and equipment damage.
2. All units must be wired strictly in accordance with wiring diagram furnished with the unit. Any wiring different from the wiring diagram could result in a hazard to persons and property.
3. All wiring must be done with a wiring material having a temperature rating of at least 105°C.

IMPORTANT

1. The use of this manual is specifically intended for a qualified installation and service agency. All installation and service of these kits must be performed by a qualified installation and service agency.
2. These instructions must also be used in conjunction with the Installation and Service Manual that originally shipped with the appliance, in addition to any other accompanying component supplier literature.

Description

The 240/24 or 208/24 volt transformer relay is rated for resistive loads up to 6000 watts or motor loads up to twelve amps. Units with 480 or 600V supply voltage (33 or 34 power code) come standard with a 480 or 600V to 240V transformer making the low voltage control kit compatible with power code 33 or 34. Wiring of this control kit should only be performed by a qualified electrician.

Description	Part Number	
	240/24V	208/24V
Transformer Relay	5H0709830001	5H0709830002

Installation and wiring - HER models

1. Disconnect power supply before making wiring connections to prevent electrical shock and equipment damage. All units must be wired strictly in accordance with wiring diagram furnished with the unit.
2. Open the hinge bottom panel.
3. Insert the transformer relay to the back panel with the locknut, as shown in Figure 1.
4. Fasten the transformer relay to the back panel with the locknut, as shown in Figure 1.
5. Wire transformer relay per Figure 2. Be sure to connect yellow wire to the power block terminal where the fan motor lead is tied in at. Refer to wiring diagram on the inside of bottom pan.

Any damage to, or failure of Modine units caused by incorrect wiring of the units is not covered by Modine's standard warranty.

Figure 1
Installation - HER models

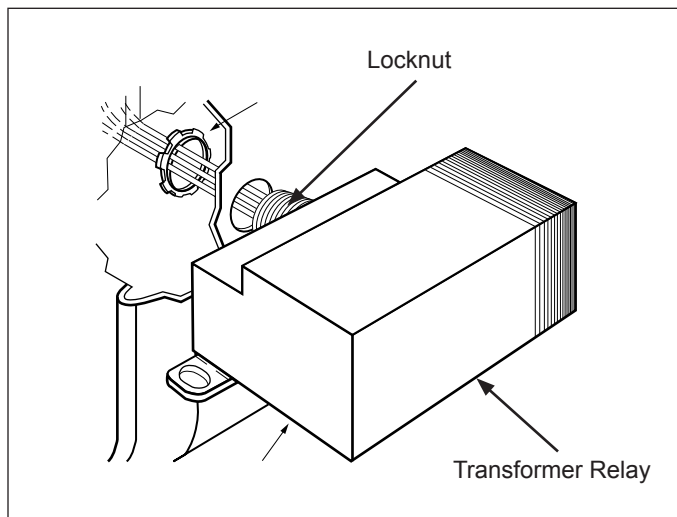
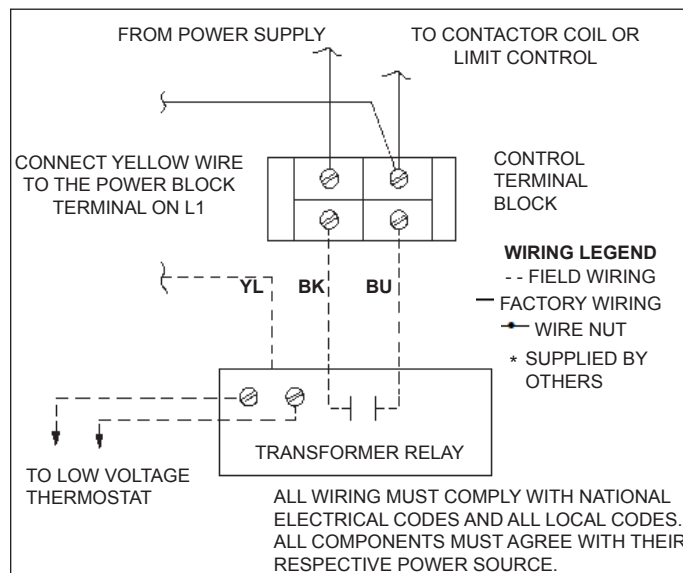


Figure 2
Wiring Diagram - HER models



Installation and wiring - VE and PTE models

1. Disconnect power supply before making wiring connections to prevent electrical shock and equipment damage. All units must be wired strictly in accordance with wiring diagram furnished with the unit.
2. Remove cover from power junction box..
3. Insert the transformer relay lead wires into the control wiring hole in the power junction box.
4. Fasten the transformer relay to the power junction box with the locknut

Installation and wiring - VE and PTE models

- Wire the transformer relay per Figures 4, 5, or 6. Refer to wiring diagram on the inside of the power junction box cover
- For the VE & PTE 300, 400 and 500 only, a jumper wire (14 ga. minimum) must be added between the "L" and "H" terminals of the control terminal block.

Figure 3
Installation - VE and PTE models

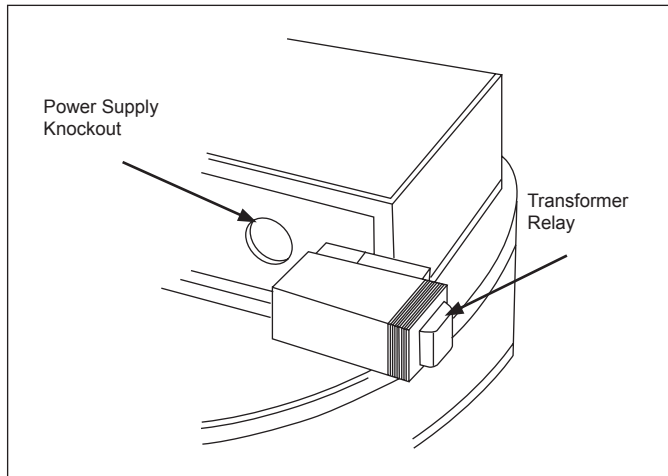


Figure 4
Wiring Diagram
Models VE50-250 - 208 or 240V Power Supply

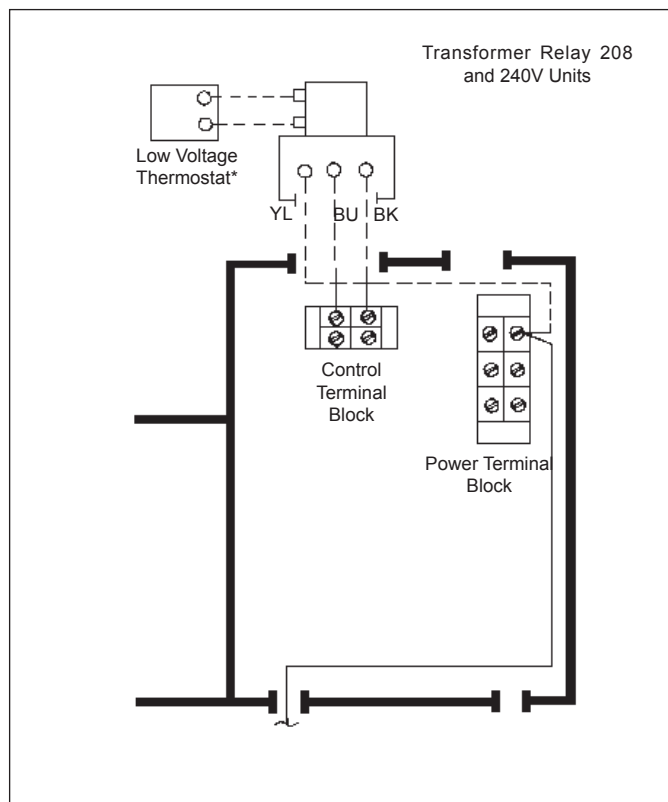


Figure 5
Wiring Diagram
Models VE50-250 - 480V Power Supply

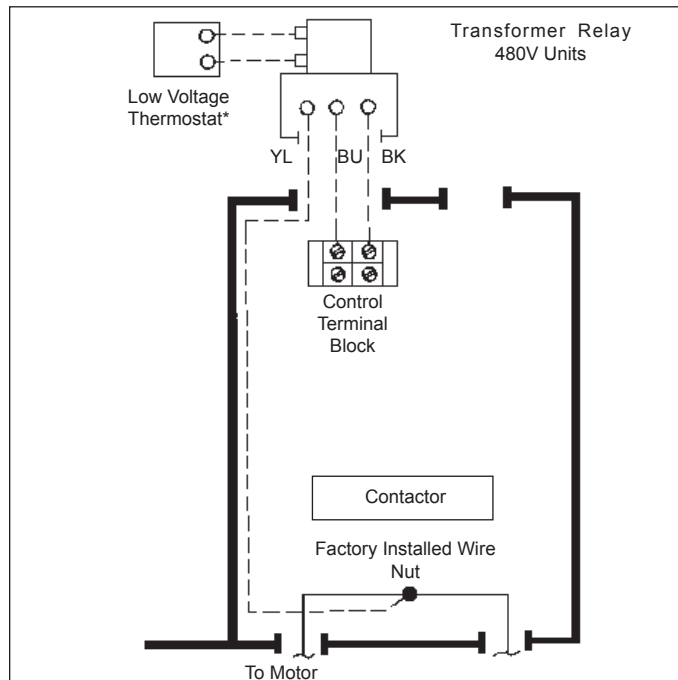


Figure 6
Wiring Diagram
Models VE300, 400, 500/PTE300, 400, & 500

