

INSTALLATION AND SERVICE MANUAL

gas-fired unit heaters

model PTX and BTX



All models approved for use in California by the CEC and in Massachusetts. Unit heater is certified for non-residential applications.



FOR YOUR SAFETY

The use and storage of gasoline or other flammable vapors and liquids in open containers in the vicinity of this appliance is hazardous.

! WARNING

1. Improper installation, adjustment, alteration, service, or maintenance can cause property damage, injury, or death, and could cause exposure to substances which have been determined by various state agencies to cause cancer, birth defects, or other reproductive harm. Read the installation, operating, and maintenance instructions thoroughly before installing or servicing this equipment.
2. Do not locate ANY gas-fired units in areas where chlorinated, halogenated, or acidic vapors are present in the atmosphere. These substances can cause premature heat exchanger failure due to corrosion, which can cause property damage, serious injury, or death.

IMPORTANT

The use of this manual is specifically intended for a qualified installation and service agency. All installation and service of these units must be performed by a qualified installation and service agency.

FOR YOUR SAFETY

WHAT TO DO IF YOU SMELL GAS:

1. Open windows.
2. Do not try to light any appliance.
3. Do not touch any electrical switch; do not use any phone in your building.
4. Extinguish any open flame.
5. Immediately call your gas supplier from a neighbor's phone. Follow the gas supplier's instructions. If you can not reach your gas supplier, call your fire department.

Inspection on Arrival

1. Inspect unit upon arrival. In case of damage, report it immediately to transportation company and your local Modine sales representative.
2. Check rating plate on unit to verify that power supply meets available electric power at the point of installation.
3. Inspect unit upon arrival for conformance with description of product ordered (including specifications where applicable).

Table of Contents

Inspection on Arrival	1
Special Precautions	2
SI (Metric) Conversion Factors	3
Before You Begin	3
Unit Location	4
Combustible Material and Service Clearances	4
Unit Mounting	5
Installation	6
Venting	6
Gas Connections	15
High-Altitude Accessory Kit	16
Electrical	18
Installation with Ductwork	19
Requirements/Adjustments and Data for Blower Units	20
Start-Up Procedure/Operation	24
Unit Components	25
Performance Data - General	26
Performance Data - Downturn Hoods	27
Dimensions	28
Service/Troubleshooting	30
Model/Serial Number/Replacement Parts	31
Commercial Warranty	Back Cover

SPECIAL PRECAUTIONS

SPECIAL PRECAUTIONS

THE INSTALLATION AND MAINTENANCE INSTRUCTIONS IN THIS MANUAL MUST BE FOLLOWED TO PROVIDE SAFE, EFFICIENT AND TROUBLE-FREE OPERATION. IN ADDITION, PARTICULAR CARE MUST BE EXERCISED REGARDING THE SPECIAL PRECAUTIONS LISTED BELOW. FAILURE TO PROPERLY ADDRESS THESE CRITICAL AREAS COULD RESULT IN PROPERTY DAMAGE OR LOSS, PERSONAL INJURY, OR DEATH. THESE INSTRUCTIONS ARE SUBJECT TO ANY MORE RESTRICTIVE LOCAL OR NATIONAL CODES.

HAZARD INTENSITY LEVELS

1. **DANGER:** Indicates an imminently hazardous situation which, if not avoided, WILL result in death or serious injury.
2. **WARNING:** Indicates a potentially hazardous situation which, if not avoided, COULD result in death or serious injury.
3. **CAUTION:** Indicates a potentially hazardous situation which, if not avoided, MAY result in minor or moderate injury.
4. **IMPORTANT:** Indicates a situation which, if not avoided, MAY result in a potential safety concern.

DANGER

Appliances must not be installed where they may be exposed to a potentially explosive or flammable atmosphere.

WARNING

1. Gas fired heating equipment must be vented - do not operate unvented.
2. A built-in power exhauster is provided - additional external power exhausters are not required or permitted.
3. If an existing heater is being replaced, it may be necessary to resize the venting systems. Improperly sized venting systems can result in vent gas leakage or the formation of condensate. Refer to the National Fuel Gas Code ANSI Z223.1 (NFPA 54) or CSA B149.1 - latest edition. Failure to follow these instructions can result in injury or death.
4. Under no circumstances should two sections of double wall vent pipe be joined together within one horizontal vent system due to the inability to verify complete seal of inner pipes.
5. All field gas piping must be pressure/leak tested prior to operation. Never use an open flame. Use a soap solution or equivalent for testing.
6. Gas pressure to appliance controls must never exceed 14" W.C. (1/2 psi).
7. To reduce the opportunity for condensation, the minimum sea level input to the appliance, as indicated on the serial plate, must not be less than 5% below the rated input, or 5% below the minimum rated input of dual rated units.
8. Disconnect power supply before making wiring connections to prevent electrical shock and equipment damage.
9. All appliances must be wired strictly in accordance with wiring diagram furnished with the appliance. Any wiring different from the wiring diagram could result in a hazard to persons and property.
10. Any original factory wiring that requires replacement must be replaced with wiring material having a temperature rating of at least 105°C.
11. Ensure that the supply voltage to the appliance, as indicated on the serial plate, is not 5% greater than the rated voltage.

WARNING

12. When servicing or repairing this equipment, use only factory-approved service replacement parts. A complete replacements parts list may be obtained by contacting the factory. Refer to the rating plate on the appliance for complete appliance model number, serial number, and company address. Any substitution of parts or controls not approved by the factory will be at the owner's risk.

CAUTION

1. All literature shipped with this unit should be kept for future use for servicing or service diagnostics. Do not discard any literature shipped with this unit.
2. Consult piping, electrical, and venting instructions in this manual before final installation.
3. Do not attach ductwork, air filters, or polytubes to any propeller unit heater.
4. Clearances to combustible materials are critical. Be sure to follow all listed requirements.
5. Heaters are designed for use in heating applications with ambient startup temperatures between -40°F and 90°F and ambient operating temperatures between 40°F and 90°F.
6. Do not install unit outdoors.
7. In garages or other sections of aircraft hangars such as offices and shops that communicate with areas used for servicing or storage, keep the bottom of the unit at least 7' above the floor unless the unit is properly guarded to provide user protection from moving parts. In parking garages, the unit must be installed in accordance with the standard for parking structures ANSI/NFPA 88A - latest edition, and in repair garages the standard for repair garages NFPA 30A - latest edition. In Canada, installation of heaters in airplane hangars must be in accordance with the requirements of the enforcing authority, and in public garages in accordance with the current CSA-B149 codes.
8. In aircraft hangars, keep the bottom of the unit at least 10' from the highest surface of the wings or engine enclosure of the highest aircraft housed in the hangars and in accordance with the requirements of the enforcing authority and/or NFPA 409 - latest edition (Formerly NFPA 88B).
9. Installation of units in high humidity or salt water atmospheres will cause accelerated corrosion, resulting in a reduction of the normal life of the units.
10. Do not install units below 7' measured from the bottom of the unit to the floor in commercial applications (unless unit is properly guarded to provide user protection from moving parts).
11. Be sure no obstructions block air intake and discharge of unit heaters.
12. The minimum distance from combustible material is based on the combustible material surface not exceeding 160°F. Clearance from the top of the unit may be required to be greater than the minimum specified if heat damage, other than fire, may occur to materials above the unit heater at the temperature described.
13. Allow 18" of clearance at rear (or 12" beyond end of motor at rear of unit, whichever is greater) and access side to provide ample air for proper operation of fan.
14. Installation must conform with local building codes or in the absence of local codes, the National Fuel Gas Code, ANSI Z223.1 (NFPA 54) - latest edition. In Canada installation must be in accordance with CSA-B149.1.
15. The concentric vent adapter box must be installed inside of the structure or building. Do not install this box on the exterior of a building or structure.

SPECIAL PRECAUTIONS / SI (METRIC) CONVERSION FACTORS

! CAUTION

16. Purging of air from gas supply line should be performed as described in the National Fuel Gas Code, ANSI Z223.1 (NFPA 54) - latest edition. In Canada, installation must be in accordance with CSA-B149.1.
17. When leak testing the gas supply piping system, the appliance and its combination gas control must be isolated during any pressure testing in excess of 14" W.C. (1/2 psi).
18. The unit should be isolated from the gas supply piping system by closing its field installed manual shut-off valve. This manual shut-off valve should be located within 6' of the heater.
19. Turn off all gas before installing appliance.
20. Ensure that the supply voltage to the appliance, as indicated on the serial plate, is not less than 5% below the rated voltage.
21. Check the gas inlet pressure at the unit upstream of the combination gas control. The inlet pressure should be 6-7" W.C. on natural gas or 11-14" W.C. on propane. If inlet pressure is too high, install an additional pressure regulator upstream of the combination gas control.
22. Service or repair of this equipment must be performed by a qualified service agency.
23. Do not attempt to reuse any mechanical or electronic ignition controller which has been wet. Replace defective controller.

IMPORTANT

1. To prevent premature heat exchanger failure, do not locate ANY gas-fired appliances in areas where corrosive vapors (i.e. chlorinated, halogenated, or acidic) are present in the atmosphere.
2. To prevent premature heat exchanger failure, the input to the appliance as indicated on the serial plate must not exceed the rated input by more than 5%.
3. To prevent premature heat exchanger failure, observe heat exchanger tubes. If the tubes become red while blower and furnace are in operation, check to be sure the blower has been set to the proper rpm for the application. Refer to page 19 for Blower Adjustments.
4. Start-up and adjustment procedures should be performed by a qualified service agency.
5. To check most of the Possible Remedies in the troubleshooting guide listed in Table 30.1 refer to the applicable sections of the manual.

BEFORE YOU BEGIN

! CAUTION

1. All literature shipped with this unit should be kept for future use for servicing or service diagnostics. Leave manual with the owner. Do not discard any literature shipped with this unit.
2. Consult piping, electrical, and venting instructions in this manual before final installation.
3. Do not attach ductwork, air filters, or polytubes to any propeller unit heater.

In the U.S., the installation of these units must comply with the National Fuel Gas Code, ANSI Z223.1 (NFPA 54) - latest edition and other applicable local building codes. In Canada, the installation of these units must comply with local plumbing or waste water codes and other applicable codes and with the current code CSA-B149.1.

1. All installation and service of these units must be performed by a qualified installation and service agency only as defined in ANSI Z223.1 (NFPA 54) - latest edition or in Canada by a licensed gas fitter.
2. This unit is certified with the controls furnished. For replacements parts, please order according to the replacement parts list on serial plate. Always know your model and serial numbers. Modine reserves the right to substitute other authorized controls as replacements.
3. Unit is balanced for correct performance. Do not alter fan or operate motors at speeds below what is shown in this manual.
4. Information on controls is supplied separately.
5. The same burner is used for natural and propane gas.

SI (Metric) Conversion Factors

To Convert	Multiply By	To Obtain
"W.C.	0.249	kPa
°F	(°F-32) x 5/9	°C
BTU	1.06	kJ
Btu/ft ³	37.3	kJ/m ³
Btu/hr	0.000293	kW
CFH (ft ³ /hr)	0.000472	m ³ /min
CFH (ft ³ /hr)	0.0000787	m ³ /s
CFM (ft ³ /min)	0.0283	m ³ /min
CFM (ft ³ /min)	0.000472	m ³ /s
feet	0.305	m
Gal/Hr.	0.00379	m ³ /hr
Gal/Hr.	3.79	l/hr
gallons	3.79	l
Horsepower	746	W
inches	25.4	mm
pound	0.454	kg
psig	6.89	kPa
psig	27.7	"W.C.

UNIT LOCATION

⚠ DANGER

Appliances must not be installed where they may be exposed to a potentially explosive or flammable atmosphere.

⚠ CAUTION

- Clearances to combustible materials are critical. Be sure to follow all listed requirements.
- Heaters are designed for use in heating applications with ambient startup temperatures between -40°F and 90°F, and ambient operating temperatures between 40°F and 90°F.
- Do not install unit outdoors.
- In garages or other sections of aircraft hangars such as offices and shops that communicate with areas used for servicing or storage, keep the bottom of the unit at least 7' above the floor unless the unit is properly guarded. In parking garages, the unit must be installed in accordance with the standard for parking structures ANSI/NFPA 88A - latest edition, and in repair garages the standard for repair garages NFPA 30A - latest edition (Formerly NFPA 88B). In Canada, installation of heaters in airplane hangars must be in accordance with the requirements of the enforcing authority, and in public garages in accordance with the current CSA-B149 codes.
- In aircraft hangars, keep the bottom of the unit at least 10' from the highest surface of the wings or engine enclosure of the highest aircraft housed in the hangars and in accordance with the requirements of the enforcing authority and/or NFPA 409 - latest edition.
- Installation of units in high humidity or salt water atmospheres will cause accelerated corrosion resulting in a reduction of the normal life of the units.

IMPORTANT

To prevent premature heat exchanger failure, do not locate ANY gas-fired appliances in areas where corrosive vapors (i.e. chlorinated, halogenated or acidic) are present in the atmosphere.

Location Recommendations

- When locating the heater, consider general space and heating requirements, availability of gas and electrical supply, and proximity to vent locations.
- When locating units, it is important to consider that the combustion air and vent piping must be connected to the outside atmosphere. Vent terminals should be located adjacent to one another. Maximum equivalent vent lengths are listed in "Section A - General Instruction - All Units" of the Venting instructions.
- Be sure the structural support at the unit location site is adequate to support the unit's weight. Refer to pages 28-29 for unit weights. For proper operation the unit must be installed in a level horizontal position.
- Do not install units in locations where the flue products can be drawn into the adjacent building openings such as windows, fresh air intakes, etc.
- Be sure that the minimum clearances to combustible materials and recommended service clearances are maintained. Units are designed for installation with the minimum clearances as shown in Figure 4.1 and Table 4.1.

Figure 4.1 - Combustible Material and Service Clearances

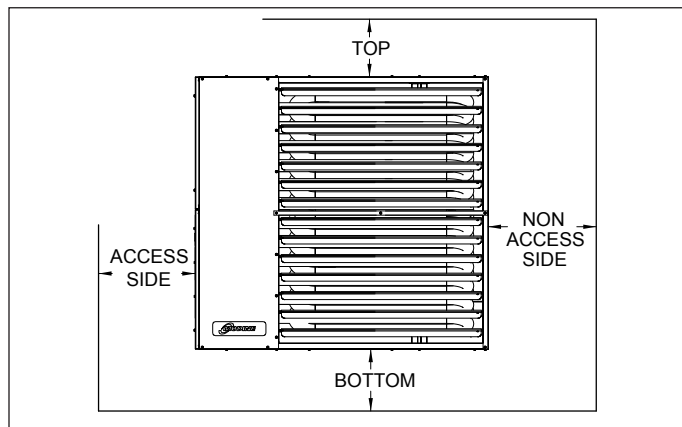


Table 4.1 - Clearances

Unit Side	Clearance To Combustible Materials	Recommended Service Clearance
Top and Bottom	6"	18"
Access Side	6"	18"
Non-Access Side	6"	18"
Rear	18"	18"
Vent Connector	6"	18"

- Do not install units in locations where gas ignition system is exposed to water spray, rain, or dripping water.
- Mounting height (measured from bottom of unit) at which unit heaters are installed is critical. Refer to mounting height and heat throw data on page 26 of this manual. The maximum mounting height for any unit is that height above which the unit will not deliver heated air to the floor.

Sound and Vibration Levels

All standard mechanical equipment generates some sound and vibration that may require attenuation. Libraries, private offices and hospital facilities will require more attenuation, and in such cases, an acoustical consultant may be retained to assist in the application. Locating the equipment away from the critical area is desirable within ducting limitations. Generally, a unit should be located within 15' of a primary support beam. Smaller deflections typically result in reduced vibration and noise transmission.

UNIT MOUNTING

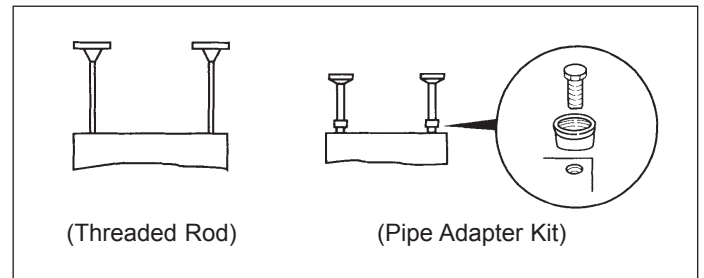
⚠ CAUTION

1. Do not install units below 7' measured from the bottom of the unit to the floor in commercial applications (unless unit is properly guarded to provide user protection from moving parts).
2. Be sure no obstructions block air intake and discharge of unit heaters.
3. The minimum distance from combustible material is based on the combustible material surface not exceeding 160°F. Clearance from the top of the unit may be required to be greater than the minimum specified if heat damage, other than fire, may occur to materials above the unit heater at the temperature described.
4. Allow 18" clearance at rear (or 12" beyond end of motor at rear of unit, whichever is greater) and access side to provide ample air for proper operation of fan.

1. Be sure the means of suspension is adequate to support the weight of the unit (see pages 28-29 for unit weights).
2. For proper operation, the unit must be installed in a level horizontal position.
3. Clearances to combustibles as specified in Table 4.1 must be strictly maintained.
4. All standard units are shipped fully boxed. Larger units are also supplied with skid supports on the bottom of the box. The larger units may be lifted from the bottom by means of a fork lift or other lifting device only if the shipping support skids are left in place and the forks support the whole depth of the unit. If the unit must be lifted from the bottom for final installation without the carton in place, be sure to properly support the unit over its entire length and width to prevent damage. When lifting units, make sure the load is balanced.
5. Propeller models have four mounting holes and blower models have 6 mounting holes. The units can be mounted with 3/8"-16 threaded rod as follows:
 - On each piece of threaded rod used, screw a nut a distance of about 1" onto the end of the threaded rods that will be screwed into the unit heater.
 - Place a washer over the end of the threaded rod and screw the threaded rod into the unit heater weld nuts on the top of the heater at least 5 turns, and no more than 10 turns. Tighten the nut first installed onto the threaded rod to prevent the rod from turning.
 - Drill holes into a steel channel or angle iron at the same center-line dimensions as the heater that is being installed. The steel channels or angle iron pieces need to span and be fastened to appropriate structural members.
 - Cut the threaded rods to the preferred length, place them through the holes in the steel channel or angle iron and secure with washers and lock nuts or lock washers and nuts. A double nut arrangement can be used here instead of at the unit heater (a double nut can be used both places but is not necessary).
 - Do not install standard unit heaters above the maximum mounting height shown in Tables 26.1 or 26.2.

NOTE: A pipe hanger adapter kit, shown in Figure 5.1 is available as an accessory. One kit consists of drilled 3/4" IPS pipe caps and 3/8"-16 x 1-1/2" capscrews to facilitate threaded pipe suspension.

Figure 5.1 - Unit Heater Suspension Methods



INSTALLATION - VENTING

⚠ WARNING

1. Gas fired heating equipment must be vented - do not operate unvented.
2. A built-in power exhauster is provided - additional external power exhausters are not required or permitted.
3. If an existing heater is being replaced, it may be necessary to resize the venting systems. Improperly sized venting systems can result in vent gas leakage or the formation of condensate. Refer to the National Fuel Gas Code ANSI Z223.1 (NFPA 54) or CSA B149.1 - latest edition. Failure to follow these instructions can result in serious injury or death.
4. Under no circumstances should two sections of double wall vent pipe be joined together within one horizontal vent system due to the inability to verify complete seal of inner pipes.

⚠ CAUTION

Installation must conform with local building codes or in the absence of local codes, with the National Fuel Gas Code, ANSI Z223.1 (NFPA 54) - latest edition. In Canada installation must be in accordance with CSA B149.1.

Model PTX/BTX unit heaters must be vented with the proper passageway as described in these instructions to convey flue gases from the unit or the vent connector to the outside atmosphere. The venting instructions are organized in sections, based on installation type. The sections are identified as follows:

Section	Applicable Installation Instructions by Vent System Type	Vent Type
A	General instruction for ALL installations	Both
B	VERTICAL CATEGORY I vent systems ①	Vent Only
C	HORIZONTAL CATEGORY III vent systems ①	Vent Only
D	Vertical 2-Pipe vent systems ①	Combustion Air and Vent
E	Horizontal 2-Pipe vent system ①	Combustion Air and Vent
F	HORIZONTAL AND VERTICAL CONCENTRIC vent systems ①	Combustion Air and Vent

① The differences between Vertical and Horizontal vent systems will be identified in "Section A - General Instructions - All Units".

Section A - General Instructions - All Units

- A1. If the unit heater being installed is replacing existing equipment and using the existing vent system from that equipment, inspect the venting system for proper size and horizontal pitch, as required in the National Fuel Gas Code, ANSI Z223.1 (NFPA 54) or CSA B149.1 Installation Code - latest edition and these instructions. Determine that there is no blockage or restriction, leakage, corrosion and other deficiencies, which could cause an unsafe condition.
- A2. The vent pipe should be galvanized steel or other suitable corrosion resistant material. Follow the National Fuel Gas Code for minimum thickness of vent material. The minimum thickness for connectors varies depending on the pipe diameter. Do not vent unit with PVC or other forms of plastic venting material.
- A3. All heaters come with factory installed vent and combustion air adapters for attaching the vent pipe to the heater (see Table 6.1). Attach the vent pipe to the adapter with 3-corrosion resistant screws. (Drill pilot holes through the vent pipe and adapter prior to screwing in place). Vent pipe must not be smaller than the connector size.

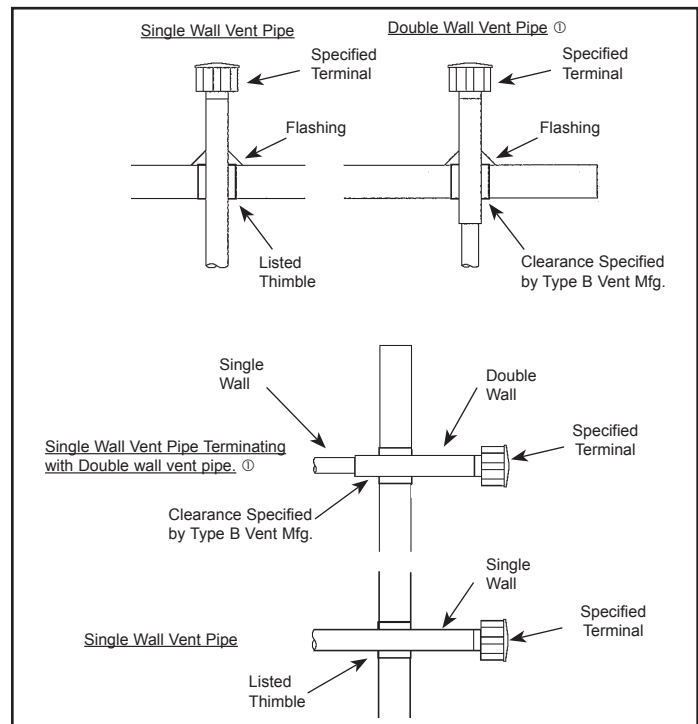
- A4. Refer to Table 6.1 for total equivalent vent pipe lengths, making the vent system as straight as possible. The equivalent length of a 90° elbow is 5 feet for 4 inch diameter and 7 feet for 6 inch diameter.

Table 6.1 - Vent Pipe Diameters, Transitions, and Total Equivalent Vent Pipe Lengths For 1 and 2 pipe Horizontal and Vertical Venting Systems

Model Size	Vent Pipe Diameter	Vent Type			
		Minimum		Maximum	
		Vent Only	Combustion Air and Vent	Vent Only	Combustion Air and Vent
150	4"	3'	5'	50'	25'
175-200	4"	3'	5'	70'	50'
250-400	6"	3'	5'	70'	50'

- A5. Horizontal sections of vent pipe are to be installed with an upward or downward slope from the appliance of 1/4 inch per foot and suspended securely from overhead structures at points not greater than 3' apart.
- A6. Fasten individual lengths of vent together with at least three corrosion resistant sheet metal screws.
- A7. Keep single wall vent pipe at least 6" from combustible materials. For double wall vent pipe, follow the vent pipe manufacturer's clearances to combustibles. The minimum distance from combustible materials is based on the combustible material surface not exceeding 160°F. Clearance from the vent pipe (or the top of the unit) may be required to be greater than 6" if heat damage other than fire could result (such as material distortion or discoloration).
- A8. Avoid venting through unheated space when possible. When venting does pass through an unheated space or if the unit is installed in an environment that promotes condensation, insulate runs greater than 5' to minimize condensation. Inspect for leakage prior to insulating and use insulation that is noncombustible with a rating of not less than 400°F. Install a tee fitting at the low point of the vent system and provide a drip leg with a clean out cap as shown in Figure 9.1.

Figure 6.1 - Venting Through Combustible Roof or Wall



① See Instruction A12 for attaching single wall pipe to double wall pipe.

INSTALLATION - VENTING

- A9. When the vent passes through a combustible INTERIOR wall or floor, a metal thimble 4" greater than the vent diameter is necessary. If there is 6' or more of vent pipe in the open space between the appliance and where the vent pipe passes through the wall or floor, the thimble need only be 2" greater than the diameter of the vent pipe. If a thimble is not used, all combustible material must be cut away to provide 6" of clearance. Where authorities have jurisdiction, Type B vent may be used for the last section of vent pipe to maintain clearance to combustibles while passing through wall or floor (see Figure 6.1). Any material used to close the opening must be noncombustible.
- A10. Seal all seams and joints of un-gasketed single wall pipe with metal tape or Silastic suitable for temperatures up to 400°F. Wrap the tape 2 full turns around the vent pipe. One continuous section of double wall vent pipe may be used within the vent system to pass through the wall to the listed vent cap. Refer to instruction A11 in "Section A – General Instructions – All Units" for attaching double wall pipe to single wall pipe.
- A11. The following are General Instructions for Double Wall (Type B) Terminal Pipe Installation:

How to attach a single wall vent terminal to double wall (Type B) vent pipe:

1. Look for the "flow" arrow on the vent pipe.
2. Slide the vent terminal inside the exhaust end of the double wall vent pipe.
3. Drill 3 holes through the pipe and the vent terminal. Using 3/4" long sheet metal screws, attach the cap to the pipe. Do not over tighten.

How to connect a single wall vent system to a double wall (Type B) vent pipe:

1. Slide the single wall pipe inside the inner wall of the double wall pipe.
2. Drill 3 holes through both walls of the single and double wall vent pipes. Using 3/4" sheet metal screws, attach the 2 pieces of pipe. Do not overtighten.
3. The gap between the single and double wall pipe must be sealed but it is not necessary to fill the full volume of the annular area. To seal, run a large bead of 400°F silastic around the gap.

- A12. Vent termination clearances as shown in Table 7.1:
- A13. Do NOT vent this appliance into a masonry chimney.
- A14. Do NOT use dampers or other devices in the vent or combustion pipes.
- A15. The venting system must be exclusive to a single appliance and no other appliance is allowed to be vented into it.
- A16. Precautions must be taken to prevent degradation of building materials by flue products.
- A17. Single wall vent pipe must not pass through any unoccupied attic, inside wall, concealed space, or floor.
- A18. Uninsulated single wall vent pipe must not be used outdoors for venting appliances in regions where the 99% winter design temperature is below 32°F.
- A19. Long runs of horizontal or vertical combustion air pipes may require insulation in very cold climates to prevent the buildup of condensation on the outside of the pipe where the pipe passes through conditioned spaces.
- A20. Vertical combustion air pipes should be fitted with a tee with a drip leg and a clean out cap to prevent against the possibility of any moisture in the combustion air pipe from entering the unit. The drip leg should be inspected and cleaned out periodically during the heating season.
- A21. Vent terminals shown in Table 7.2 must be used:

Table 7.2 - Vent Terminals

Model Size	Modine PN
150-200	5H0722850001
250-400	5H0722850002

Table 7.1 - Vent Termination Clearances

Vent Shall Terminate:	Structure	Reference Standard
3 feet above	Forced air inlet within 10' (US)	NFPA 54
6 feet in all directions	Forced air inlet (Canada)	CSA B149.1
3 feet in all directions	Combustion Air inlet of another appliance	CSA B149.1
4 feet below, 4 feet horizontal, or 1 foot above	Door window, gravity air inlet, or any building opening (US)	NFPA 54
3 feet in all directions	Door window, gravity air inlet, or any building opening (Canada)	CSA B149.1
3 feet horizontal ①	Electric meter, gas meter, gas regulator, and relief equipment	CSA B149.1
2 feet in all directions	Adjacent building, adjoining building, or parapet wall	Modine
7 feet in all directions	Adjacent public walkways	NFPA 54/CSA B149.1
1 foot above	Grade (ground level)	NFPA 54/CSA B149.1
1 foot below or 1 foot beyond	Eave with 24" overhang or less	Modine
3 feet below or 1 foot beyond	Eave with greater than 24" overhang	Modine

① Do not terminate the vent directly above a gas meter or regulator. Recommendations based on CSA B149.1 and NFPA 54. Venting must conform with applicable current revision of local and national installation codes.

INSTALLATION - VENTING

A22. This unit may be installed with or without the combustion air intake pipe. Using the vent pipe only allows for greater maximum vent length but is not considered "separated combustion" because the combustion air comes from indoors. Using both a combustion air and vent pipe is considered "separated combustion" and requires a shorter maximum vent.

A23. In addition to following these general instructions, specific instructions for vertical and horizontal vent systems in 1 pipe, 2 pipe or 2 pipe concentric vent configurations must also be followed. Table 8.1 outlines the differences:

Table 8.1 - ANSI Unit Heater Venting Requirements

# of pipes (horizontal/vertical)	Category	Description	Venting Requirements
Vertical Vent Pipe Only	I	Negative vent pressure Non-condensing	Follow standard venting requirements.
Not applicable to this product	II	Negative vent pressure Condensing	Condensate must be drained.
Horizontal Vent Only All two pipe systems	III	Positive vent pressure Non-condensing	Vent must be gas tight.
Not applicable to this product	IV	Positive vent pressure Condensing	Vent must be liquid and gas tight. Condensate must be drained.

Note: Vent connectors serving Category I appliances shall not be connected into any portion of mechanical draft systems operating under positive pressure.

Vertical Vent Only - Category I Vent Determination (Not Separated Combustion)

- Vertical vent systems terminate vertically (up) (an example is shown in Figure 9.1).
- The horizontal portion of the vent run cannot exceed 75% of the vertical rise (Example: If the vent height is 10', the horizontal portion of the vent system cannot exceed 7.5').
- The vent terminates a minimum of 5' above the vent connector on the unit.
- If the vent system to be installed meets ALL these criteria, proceed to "Section B – Vertical Vent Only, Category I Vent System Venting Instructions".

Horizontal Vent Only - Category III Determination (Not Separated Combustion)

- Horizontal vent systems terminate horizontally (sideways) (an example is shown in Figure 10.1).
- A vent system that terminates vertically but has a horizontal run that exceeds 75% of the vertical rise is considered horizontal.
- Horizontal vent configurations are Category III. Additional requirements are covered in "Section C - 1 Pipe Horizontal Category III Vent System Installation".

If the vent system to be installed meets ALL these criteria, proceed to "Section C – Horizontal Vent Only, Category III Vent System Venting Instructions"

Vertical Combustion Air and Vent - Category III Vent Determination (Separated Combustion)

- Vertical vent systems terminate vertically (up) (an example is shown in Figure 11.1).
- Determine the venting configuration as follows:
 - > For two building penetrations through the wall or roof (one for the combustion air inlet pipe and one for the vent pipe), proceed to "Section D Vertical Combustion Air and Vent - Category III Vent Determination (Separated Combustion) Venting Instructions".
 - > For a single larger building penetration through the wall or roof, through which both the combustion air inlet and vent pipes will pass, proceed to "Section F - Horizontal or Vertical Combustion Air and Vent Systems using a Concentric Vent - Category III Vent System Determination (Separated Combustion)".

Horizontal Combustion Air and Vent - Category III Vent System Determination (Separated Combustion)

- Horizontal vent systems terminate horizontally (sideways) (an example is shown in Figure 12.1).
- Determine the venting configuration as follows:
 - > For 2 building penetrations through the wall or roof (1 for the combustion air inlet pipe and 1 for the vent pipe), proceed to "Section E - Horizontal Combustion Air and Vent - Category III Vent System Determination (Separated Combustion) Venting Instructions".
 - > For a single larger building penetration through the wall or roof, through which both the combustion air inlet and vent pipes will pass, proceed to "Section F - Horizontal or Vertical Combustion Air and Vent Systems using a Concentric Vent - Category III Vent System Determination (Separated Combustion)".

INSTALLATION - VENTING

Section B – Vertical Vent Only, Category I Vent System Venting Instructions

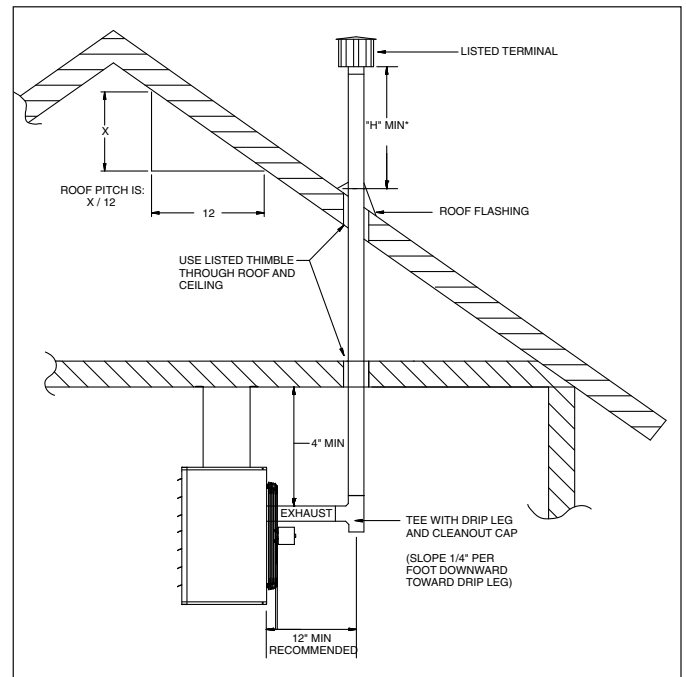
- B1. This section applies to vertically vented Category I vent systems and is in addition to "Section A - General Instructions - All Units".
- B2. Vertical vent systems terminate vertically, and must be sized in accordance with the National Fuel Gas Code, ANSI Z223.1 (NFPA 54) - latest edition.
- B3. The horizontal portion of the vent run cannot exceed 75% of the vertical rise (Example: If the vent height is 10', the horizontal portion of the vent system cannot exceed 7.5').
- B4. It is recommended to install a tee with drip leg and clean out cap as shown in Figure 9.1.
- B5. The vent terminates a minimum of 5' above the vent connector on the unit.
- B6. All vertically vented heaters that are Category I must be connected to a vent complying with a recognized standard, with a material acceptable to the authority having jurisdiction. Venting into a masonry chimney is not permitted. Refer to the National Fuel Gas Code, ANSI Z223.1 (NFPA 54) - latest edition for instructions on common venting.
- B7. Use a listed vent terminal to reduce down drafts and moisture in the vent.
- B8. Double wall vent pipe is recommended, although single wall can be used if the requirements of the National Fuel Gas Code are followed.
- B9. Vertical vents must terminate a minimum horizontal and vertical distance from roof lines and adjacent walls or obstructions. These minimum distances are outlined as follows (based on National Fuel Gas Code requirements for vents with diameters less than 12"):
- For **double wall** vent pipe and **8' or greater** horizontal distance to any vertical wall or similar obstruction, the vent must terminate above the roof in accordance with Figure 9.1 and Table 9.1.
 - For **double wall** vent pipe and **less than 8'** horizontal distance to any vertical wall or similar obstruction, the vent must terminate at least 2' above the highest point where it passes through a roof of a building and at least 2' higher than any portion of a building within a horizontal distance of 10' (see Figure 9.1).
 - For **single wall** vent pipe and 10' or greater horizontal distance to any portion of a building, the vent must terminate at least 2' above the highest point where it passes through a roof of a building and at least 2' higher than any portion of a building within a horizontal distance of 10'.
 - For **single wall** vent pipe and less than 10' horizontal distance to any portion of a building, the vent must terminate at least 2' higher than any portion of that building.

Table 9.1 - Minimum Height from Roof to Lowest Discharge Opening

Rise X (in)	Roof Pitch	Min Height H (ft) ①
0-6	Flat to 6/12	1.00
6-7	6/12 to 7/12	1.25
7-8	7/12 to 8/12	1.50
8-9	8/12 to 9/12	2.00
9-10	9/12 to 10/12	2.50
10-11	10/12 to 11/12	3.25
11-12	11/12 to 12/12	4.00
12-14	12/12 to 14/12	5.00
14-16	14/12 to 16/12	6.00
16-18	16/12 to 18/12	7.00
18-20	18/12 to 20/12	7.50
20-21	20/12 to 21/12	8.00

① Size according to expected snow depth.

Figure 9.1 - Vertical Category I Vent System



INSTALLATION - VENTING

Section C – Horizontal Vent Only, Category III Vent System Venting Instructions

- C1. This section applies to horizontally vented Category III vent systems and is in addition to "Section A – General Instructions – All units".
- C2. Horizontal vent systems terminate horizontally (sideways).
- C3. Seal all seams and joints of un-gasketed single wall pipe with metal tape or Silastic suitable for temperatures up to 400°F. Wrap the tape 2 full turns around the vent pipe. For single wall vent systems, 1 continuous section of double wall vent pipe may be used within the vent system to pass through the wall to a listed vent cap. Under no circumstances should 2 sections of double wall vent pipe be joined together within 1 horizontal vent system due to the inability to verify complete seal of inner pipes. Category III vent systems listed by a nationally recognized agency and matching the diameters specified may be used. Different brands of vent pipe materials may not be intermixed. Refer to instruction A10 in "Section A – General Instructions – All Units" for attaching double wall pipe to single wall pipe.
- C4. All horizontal Category III vents must be terminated with a listed vent cap. The cap must terminate a minimum distance of 12" beyond the exterior wall surface as shown in Figure 10.1. The vent must be supported as shown in Figure 10.1. Precautions must be taken to prevent degradation of building materials by flue products.
- C5. When condensation may be a problem, the vent system shall not terminate over public walkways or over an area where condensate or vapor could create a nuisance or hazard or could be detrimental to the operation of regulators, relief openings, or other equipment.
- C6. The venting system must be exclusive to a single unit, and no other unit is allowed to be vented into it.
- C7. When vented horizontally, maintain a 1/4" per foot rise away from the heater and place a drip leg with clean out near the unit as shown in Figure 10.2. Where local authorities have jurisdiction, a 1/4" per foot downward slope is acceptable with a drip leg and clean out near the exit of the vent as shown in Figure 10.2, or allow the condensate to drip out the end.
- C8. For a vent termination located under an eave, the distance of the overhang must not exceed 24". The clearance to combustibles above the exterior vent must be maintained at a minimum of 12". Consult the National Fuel Gas Code for additional requirements for eaves that have ventilation openings.
- C9. Once venting is complete, proceed to the section titled "Installation – Gas Connections".

Figure 10.1 - Vent Construction Through Combustible Walls and Support Bracket

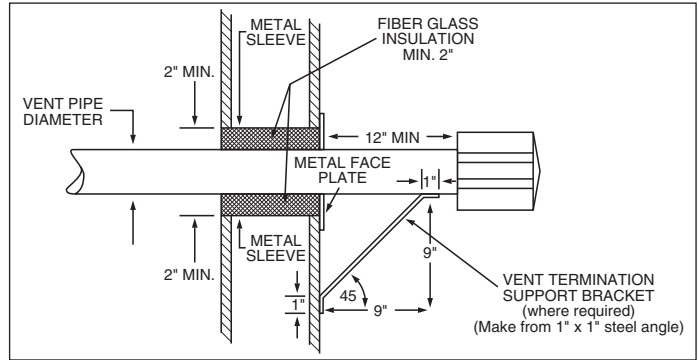
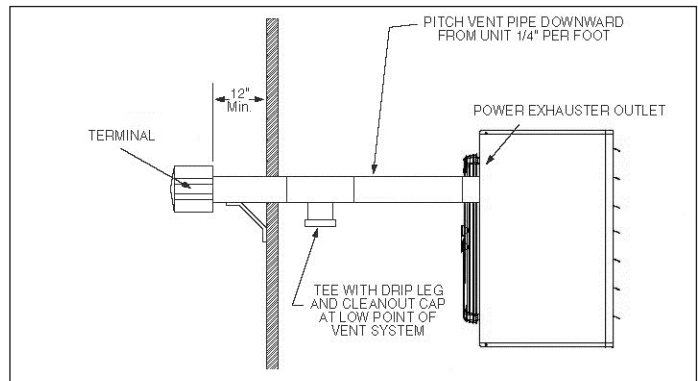


Figure 10.2 - 1 Pipe Horizontal Venting



INSTALLATION - VENTING

Section D - Vertical Combustion Air and Vent - Category III Vent (Separated Combustion) Venting Instructions

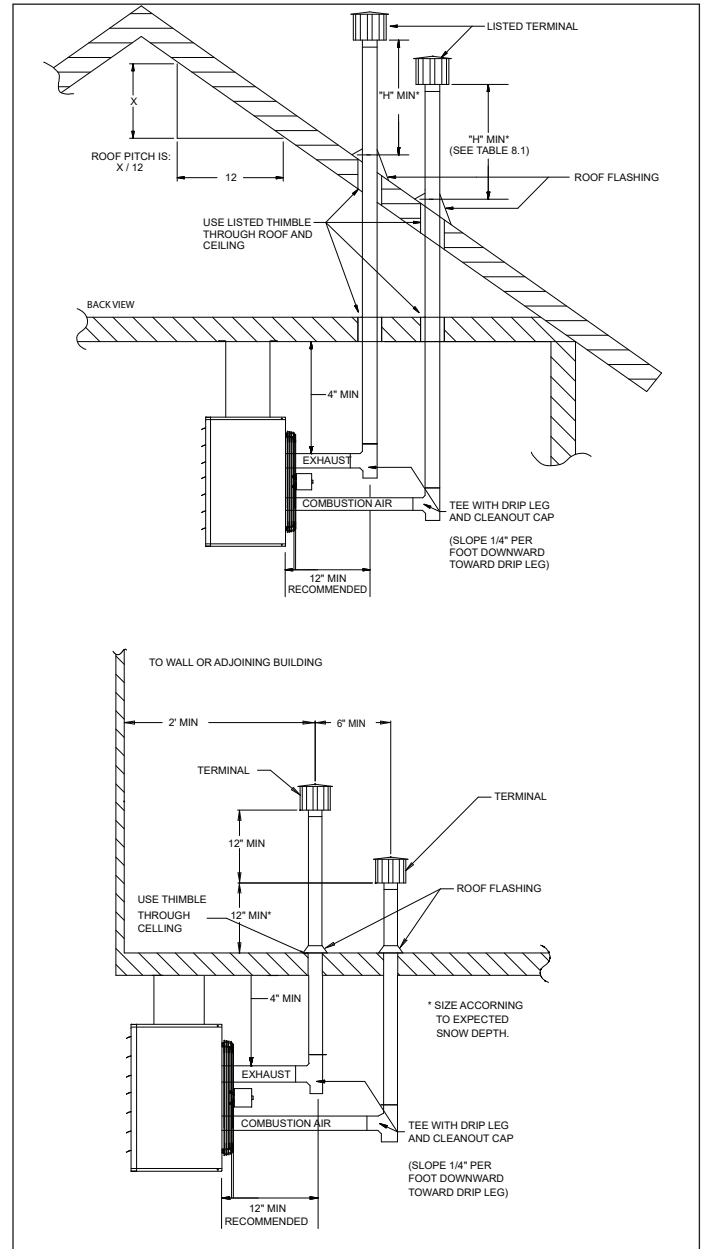
- D1. This section applies to vertically vented 2-pipe (1 combustion air inlet pipe and 1 vent pipe) vent systems and is in addition to "Section A - General Instructions - All Units".
- D2. Vertical vent systems terminate vertically (up).
- D3. It is recommended to install a tee with drip leg and clean out cap as shown in Figure 11.1.
- D4. The combustion air and vent pipes must be terminated with 2 listed vent caps.
- D5. Vertical vents must terminate a minimum horizontal and vertical distance from roof lines and adjacent walls or obstructions. These minimum distances are outlined in Figure 11.1 and Table 11.1.
- D6. The vent must terminate at least 1' above and 6" horizontally from the combustion air inlet.
- D7. Once venting is complete, proceed to section titled, "Installation - Gas Connections".

Table 11.1 - Minimum Height from Roof to Lowest Discharge Opening

Rise X (in)	Roof Pitch	Min Height H (ft) ①
0-6	Flat to 6/12	1.00
6-7	6/12 to 7/12	1.25
7-8	7/12 to 8/12	1.50
8-9	8/12 to 9/12	2.00
9-10	9/12 to 10/12	2.50
10-11	10/12 to 11/12	3.25
11-12	11/12 to 12/12	4.00
12-14	12/12 to 14/12	5.00
14-16	14/12 to 16/12	6.00
16-18	16/12 to 18/12	7.00
18-20	18/12 to 20/12	7.50
20-21	20/12 to 21/12	8.00

① Size according to expected snow depth.

Figure 11.1 - Vertical 2-Pipe Vent System



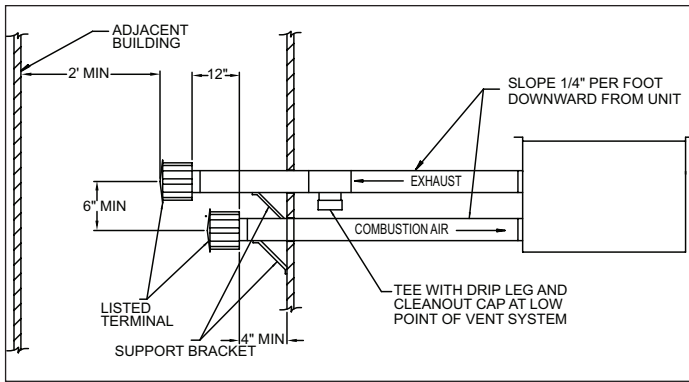
INSTALLATION - VENTING

Section E - Horizontal Combustion Air and Vent - Category III Vent System Determination (Separated Combustion) Venting Instructions

- E1. This section applies to horizontally vented 2-pipe vent systems (1 combustion air inlet pipe and 1 vent pipe) and is in addition to "Section A - General Instructions - All Units". Category III vent systems listed by a nationally recognized agency and matching the diameters specified may be used. Different brands of vent pipe materials may not be intermixed. Under no circumstances should two sections of double wall vent pipe be joined together within one horizontal vent system due to the inability to verify complete seal of inner pipes.
- E2. Horizontal vent systems terminate horizontally (sideways).
- E3. All horizontal vents must be terminated with a listed vent cap. The cap must terminate a minimum distance from the external wall, as summarized in Figure 12.1.
- E4. The termination of horizontally vented system must extend 16" beyond the exterior surface of an exterior wall.
- E5. The combustion air pipe must be a minimum of 6" below the vent pipe, and 4" from the exterior wall.
- E6. Construct the vent system as shown in Figure 12.1.

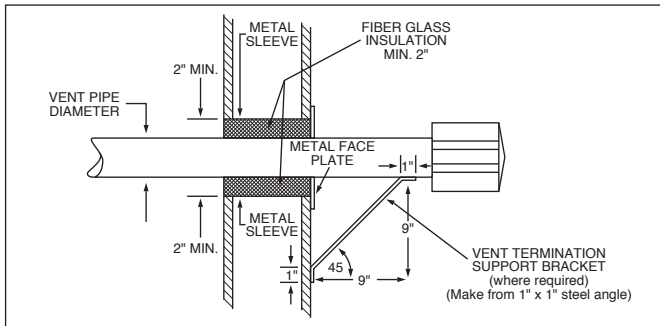
- E9. When condensation may be a problem, the vent system shall not terminate over public walkways or over an area where condensate or vapor could create a nuisance or hazard, or could be detrimental to the operation of regulators, relief openings, or other equipment.
- E10. Maintain a 1/4" per foot downward slope away from the heater and place a drip leg with clean out near the exit of the vent as shown in Figure 12.2, or allow the condensate to drip out the end.
- E11. For a vent termination located under an eave, the distance of the overhang must not exceed 24". The clearance to combustibles above the exterior vent must be maintained at a minimum of 12". Consult the National Fuel Gas Code for additional requirements for eaves that have ventilation openings.
- E12. Once venting is complete, proceed to section titled "Installation - Gas Connections".

Figure 12.1 - Horizontal Venting with Downward Pitch



- E7. When horizontal vents pass through a combustible wall (up to 22" thick), the vent passage must be constructed and insulated as shown in Figure 12.2.
- E8. The vent must be supported as shown in Figure 12.2.

Figure 12.2 - Vent Construction Through Combustible Walls and Support Bracket



INSTALLATION - VENTING

CAUTION

The concentric vent adapter box must be installed inside of the structure or building. Do not install this box on the exterior of a building or structure.

Section F - Horizontal or Vertical Combustion Air and Vent Systems using a Concentric Vent - Category III Vent System Determination (Separated Combustion)

- F1. This section applies to both horizontally and vertically vented concentric vent systems as defined in "Section A – General Instructions – All Units", and is in addition to the instructions in that section.
- F2. When utilizing the concentric vent option, it should have been predetermined whether the appliance will be horizontally or vertically vented. Before proceeding, verify that the concentric vent kit received contains the correct components for the installation:

For Vertical 2 Pipe Vented Units (Refer to Figure 13.1):

- ① Concentric adapter assembly (same for horizontal and vertical kits)
- ② Standard listed vent cap
- ③ Specially designed inlet terminal

For Horizontal 2 Pipe Vented Units (Refer to Figure 13.2):

- ① Concentric adapter assembly (same for horizontal and vertical kits)
- ② Special vent termination cap
- ③ Special air intake guard

Figure 13.1 - Vertical Concentric Vent Kit Components

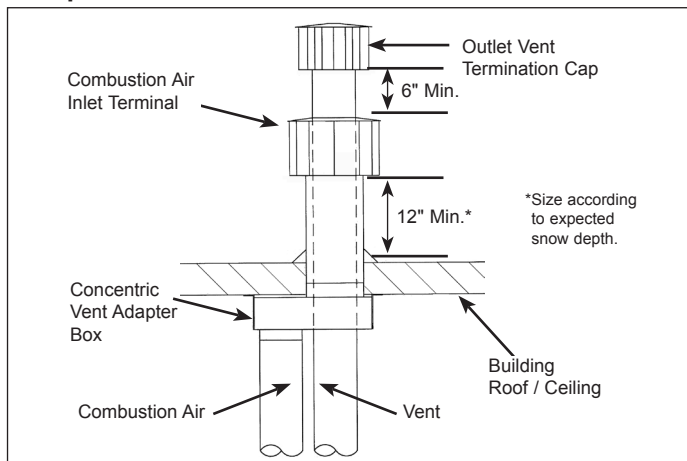
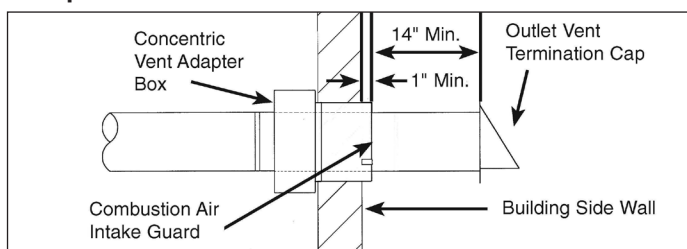


Figure 13.2 - Horizontal Concentric Vent Kit Components



- F3. Once the kit contents have been verified as correct for the direction of venting, the concentric vent adapter box is to be installed. Determine the location of the box. Be sure to maintain all clearances as listed in these instructions.
- F4. The adapter box is to be mounted on the interior side of the building. It must not be mounted outside the building. The adapter box has integral mounting holes for ease of installation.
- F5. The adapter box can be mounted flush to the wall (for horizontal kits) or to the ceiling (for vertical kits). The box can also be offset from the wall or ceiling by using field supplied brackets. When mounting the box, consider serviceability and access to the vent and combustion air pipes. If the box is to be mounted using field supplied brackets, these brackets must be strong enough to rigidly secure the box to the wall or ceiling, and should be made from corrosion resistant material.
- F6. Determine the length of the vent pipe and combustion air inlet pipe for the selected location. THE VENT PIPE WILL PASS THROUGH THE CONCENTRIC VENT BOX. THE LAST SECTION OF VENT PIPE IS A CONTINUOUS LENGTH OF DOUBLE WALL "B" VENT. See section A11 for attaching and terminating double wall pipe. Begin with pipe lengths on the concentric pipe side of the concentric vent kit, referring to Figure 14.1. These pipes will extend through the building wall or roof as well as any added length for the thickness of the wall and the offset from any field installed brackets.

For Vertical Concentric Vent Kits (Refer to Figure 13.1):

- The bottom of the combustion air intake pipe must terminate above the snow line, or at least 12" above the roof, whichever distance is greater.
- The bottom of the vent cap must terminate at least 6" above the top of the combustion air intake cap.

For Horizontal Concentric Vent Kits (Refer to Figure 13.2):

- The combustion air intake pipe must terminate at least 1" from the wall to prevent water from running down the wall and into the pipe.
- The back of the vent cap must terminate at least 14" from the combustion air intake pipe.

- F7. Cut the concentric side vent and combustion air pipes to the proper length as determined in the previous step. See Table 14.1 for combustion air and vent pipe sizes. The pipes must be single wall galvanized or stainless steel material, except for the last section of vent pipe, which must be one continuous length of double wall B-vent extended through the concentric vent box and combustion air inlet pipe on the concentric side of the box.

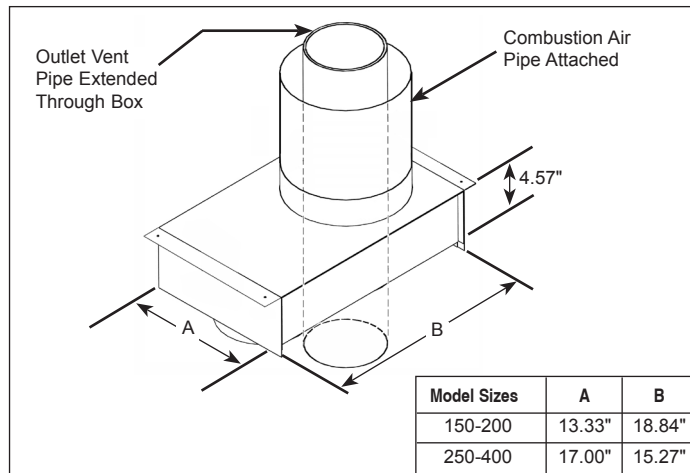
NOTE - No clearance to combustible material is required for the building penetration, which should be sized according to the external combustion air Inlet pipe diameter.

- F8. Allow the concentric side vent pipe to pass through the concentric vent adapter box, as shown in Figure 14.1. Attach the double wall vent pipe to the single wall vent pipe that goes to the unit. Be sure to seal the joint and the open area around the double wall vent. Seal all joints and seams using sealant suitable for temperatures up to 400°F.

INSTALLATION - VENTING

- F9. Slide the combustion air pipe over the vent pipe and attach to the air inlet of the concentric adapter box, as shown in Figure 14.1, using at least 3 corrosion-resistant sheet metal screws. Seal the joint and seam using sealant suitable for temperatures up to 400°F.
- F10. Place this assembly (the adapter box, vent pipe and combustion air pipe) through the wall or roof and verify that the distance requirements as defined in Step F7 are met. Securely attach the assembly to the building.
- F11. From outside the the building, caulk the gap between the combustion air intake pipe and the building penetration.
- F12. Attach the combustion air intake and vent pipe terminations as follows:

Figure 14.1 - Concentric Vent kit with Combustion Air Intake Pipe Attached



For Vertical Concentric Vent Kits (Refer to Figure 13.1):

- Slide the combustion air cap down over the vent pipe and fasten it to the combustion air pipe with at least 3 corrosion-resistant sheet metal screws.
- Attach the vent cap to the vent pipe using at least 3 corrosion-resistant sheet metal screws. Refer to instruction A11 for connecting terminal to double wall pipe.
- Caulk the gap between the combustion air cap and the vent pipe with silicone sealant, or other appropriate sealants suitable for metal to metal contact and for temperatures up to 400° F.

For Horizontal Concentric Vent Kits (Refer to Figure 13.2):

- Attach the combustion air intake guard using corrosion-resistant screws at the end of the combustion air intake pipe to prevent animals and debris from entering.
- Attach the vent cap to the vent pipe using at least 3 corrosion-resistant sheet metal screws.

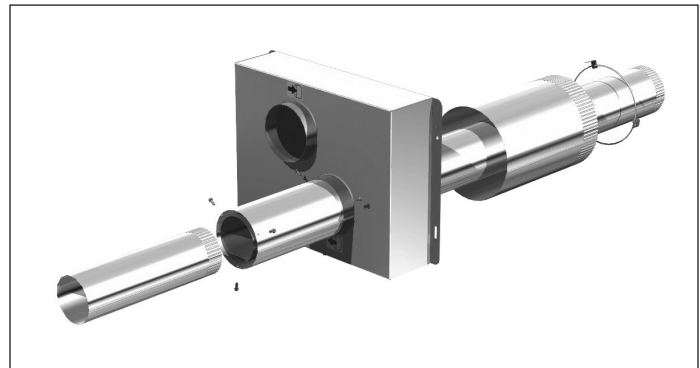
- F13. Install vent pipe and combustion air pipe between unit heater and concentric vent adapter box as outlined in "Section A – General Instructions – All Units".
- F14. Once venting is complete, proceed to the section titled "Installation - Gas Connections".

Table 14.1 - Concentric Vent Pipe Sizes

Model Size	Single Wall Pipe		Type B Vent Pipe ①
	Combustion Air (To Unit)	Combustion Air (External)	Vent (Pass-Through)
150-200	4"	6"	4"
250-400	6"	8"	6"

① B-Vent must have 1/4" air gap (OD is 1/2" larger than ID).

Figure 14.2 - Concentric Vent Kit Exploded Assembly



INSTALLATION - GAS CONNECTIONS

GAS CONNECTIONS

⚠ WARNING

1. All field gas piping must be pressure/leak tested prior to operation. Never use an open flame. Use a soap solution or equivalent for testing.
2. Gas pressure to appliance controls must never exceed 14" W.C. (1/2 psi).
3. To reduce the opportunity for condensation, the minimum sea level input to the appliance, as indicated on the serial plate, must not be less than 5% below the rated input, or 5% below the minimum rated input of dual rated units.

⚠ CAUTION

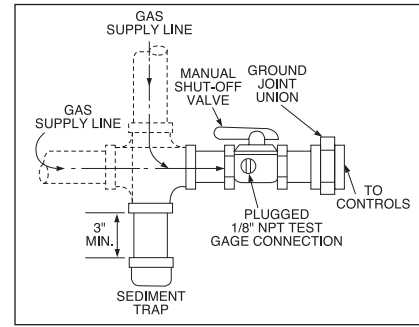
1. Purging of air from gas lines should be performed as described in the National Fuel Gas Code, ANSI Z223.1 (NFPA 54) - latest edition or in Canada CSA-B149 codes.
2. When leak testing the gas supply piping system, the appliance and its combination gas control must be isolated during any pressure testing in excess of 14" W.C. (1/2 psi).
3. The unit should be isolated from the gas supply piping system by closing its field installed manual shut-off valve. This manual shut-off valve should be located within 6' of the heater.
4. Turn off all gas before installing appliance.

IMPORTANT

To prevent premature heat exchanger failure, the input to the appliance, as indicated on the serial plate, must not exceed the rated input by more than 5%.

1. Installation of piping must conform with local building codes, or in the absence of local codes, with the National Fuel Gas Code, ANSI Z223.1 (NFPA 54) - latest Edition. In Canada, installation must be in accordance with CSA-B149.1.
2. Piping to units should conform with local and national requirements for type and volume of gas handled, and pressure drop allowed in the line. Refer to Table 15.1 to determine the cubic feet per hour (CFH) for the type of gas and size of unit to be installed. Using this CFH value and the length of pipe necessary, determine the pipe diameter from Table 15.2. Where several units are served by the same main, the total capacity, CFH and length of main must be considered. Avoid pipe sizes smaller than 1/2". Table 15.2 allows for a 0.3" W.C. pressure drop in the supply pressure from the building main to the unit. The inlet pressure to the unit must be 6-7" W.C. for natural gas and 11-14" W.C. for propane gas. When sizing the inlet gas pipe diameter, make sure that the unit supply pressure can be met after the 0.3" W.C. has been subtracted. If the 0.3" W.C. pressure drop is too high, refer to the Gas Engineer's Handbook for other gas pipe capacities.
3. Install a ground joint union with brass seat and a manual shut-off valve adjacent to the unit for emergency shut-off and easy servicing of controls, including a 1/8" NPT plugged tapping accessible for test gauge connection (see Figure 15.1).
4. Use 2 wrenches when connecting field piping to units.
5. Provide a sediment trap before each unit in the line where low spots cannot be avoided (see Figure 15.1).
6. When pressure/leak testing, pressures above 14" W.C. (1/2 psi), close the field installed shut-off valve, disconnect the appliance and its combination gas control from the gas supply line, and plug the supply line before testing. When testing pressures 14" W.C. (1/2 psi) or below, close the manual shut-off valve on the appliance before testing.

Figure 15.1 - Recommended Sediment Trap/Manual Shut-off Valve Installation - Side or Bottom Gas Connection ①



① Manual shut-off valve is in the "OFF" position when handle is perpendicular to pipe.

Table 15.1 - Sea Level Manifold Pressure & Gas Consumption

Model Size	Manifold Pressure ("W.C.):	Natural	Propane	# of Orifices
		CFH	Gal/Hr. Propane	
150	CFH	142.9	60	6
	Gal/Hr. Propane	n/a	1.6	
	Orifice Drill Size	42	53	
175	CFH	166.7	70	7
	Gal/Hr. Propane	n/a	1.9	
	Orifice Drill Size	42	53	
200	CFH	190.5	80	7
	Gal/Hr. Propane	n/a	2.2	
	Orifice Drill Size	38	52	
250	CFH	238.1	100	9
	Gal/Hr. Propane	n/a	2.7	
	Orifice Drill Size	39	1.55 mm	
300	CFH	285.7	120	9
	Gal/Hr. Propane	n/a	3.3	
	Orifice Drill Size	36	51	
350	CFH	333.3	140	12
	Gal/Hr. Propane	n/a	3.8	
	Orifice Drill Size	38	52	
400	CFH	381	160	12
	Gal/Hr. Propane	n/a	4.4	
	Orifice Drill Size	36	51	

Table 15.2 - Gas Pipe Capacities - Natural Gas ① ②

Pipe Length (ft)	Natural Gas					
	1/2"	3/4"	1"	1-1/4"	1-1/2"	2"
10	132	278	520	1050	1600	3050
20	92	190	350	730	1100	2100
30	73	152	285	590	890	1650
40	63	130	245	500	760	1450
50	56	115	215	440	670	1270
60	50	105	195	400	610	1150
70	46	96	180	370	560	1050
80	43	90	170	350	530	930
100	38	79	150	305	460	870
125	34	72	130	275	410	780
150	31	64	120	250	380	710

① Capacities in cubic feet per hour through schedule 40 pipe with maximum 0.3" W.C. pressure drop with up to 14" W.C. gas pressure. Specific gravity is 0.60 for natural gas and 1.50 for propane gas.

② For pipe capacity with propane gas, divide natural gas capacity by 1.6. Example: What is the propane gas pipe capacity for 60 feet of 1-1/4" pipe? The natural gas capacity is 400 CFH. Divide by 1.6 to get 250 CFH for propane gas.

INSTALLATION - HIGH ALTITUDE ACCESSORY KIT

HIGH ALTITUDE ACCESSORY KIT

Modine's gas-fired equipment standard input ratings are certified by ETL. For elevations above 2,000', ANSI Z223.1 requires ratings be reduced 4 percent for each 1000' above sea level. For units in Canada, CSA requires that ratings be reduced 10 percent at elevations above 2,000'. The high altitude adjustment instructions and pressure switch kits listed in this manual are for use with units that will be installed over 2,000'. These methods and kits comply with both ANSI Z223.1 and CSA requirements.

If a unit is to be installed at higher elevations AND converted from natural gas to propane gas operation, a propane conversion kit must be used in conjunction with the pressure adjustment methods and pressure switch kits listed herein. For the selection and installation instructions for propane conversion kits, please see the latest revision of Modine Manual 75-515.

Selection of the Proper Pressure and Kit

To determine the proper manifold pressure at altitude and if required, the proper combustion air pressure switch kit, the full model number of the heater, the fuel to be used, and the altitude the unit will be installed at must be known. Refer to the unit serial plate or carton label to obtain the necessary information about the unit.

After obtaining this information, refer to the gas pressure and selection charts shown in Tables 16.1 through 17.1. The pressure charts are differentiated by elevation, fuel type, and country the product is being installed in. The selection charts are differentiated by product type, altitude and fuel type. **If converting from natural gas to propane gas and operation at high altitude, both a propane conversion kit and a pressure switch kit must be used (if applicable).** Selection charts include the proper kit suffix, when required.

Table 16.1 - Natural Gas Heating Values at Altitude ① ③ ④

Altitude (ft)	Gas Heating Values at Altitude (BTU/ft ³)	
	USA	Canada
0-2,000	1,050	1,050
2,001-3,000	929	945
3,001-4,000	892	
4,001-4,500	874	
4,501-5,000	856	856
5,001-6,000	822	822
6,001-7,000	789	789
7,001-8,000	757	757
8,001-9,000	727	727
9,001-10,000	698	698
10,001-11,000	670	670
11,001-12,000	643	643
12,001-13,000	618	618
13,001-14,000	593	593

Manifold Pressure Adjustment

The inlet pressure to the unit must be confirmed to be within acceptable limits (6-7" W.C. for natural gas and 11-14" W.C. for propane gas) before opening the shutoff valve or the combination gas valve may be damaged.

Heaters for use with **natural gas** have gas valves that need to be field set at 3.5" W.C. manifold pressure at 7.0" W.C. inlet pressure.

Units for use with **propane gas** need to be field set for 10.0" W.C. manifold pressure at 14.0" W.C. inlet pressure.

Installation above 2,000' elevation requires adjustment of the manifold pressure as described.

Derated BTU Content Gas and Manifold Pressure Calculation

Some utility companies may derate the BTU content (heating value) of the gas provided at altitude to a value other than 1,050 BTU/ft³ for natural gas or 2,500 BTU/ft³ for propane gas to allow certain heating appliances to be used with no manifold pressure adjustments. For this reason it is necessary that the supplying utility be contacted for detailed information about the gas type and BTU content (heating value) before operating any heater. Tables 16.1 and 16.2 show the standard derated heating values (4% per 1,000' of elevation in the USA and 10% between 2,001' and 4,500' elevation in Canada) of natural and propane gases at various altitudes. If the utility is supplying gas with heating values as shown in Tables 16.1 and 16.2, the manifold pressure should be set to 3.5" W.C. for natural gas and 10.0" W.C. for propane gas.

NOTE: Only the high fire gas pressure need be adjusted, low fire gas pressure should remain the same.

Table 16.2 - Propane Gas Heating Values at Altitude ② ③ ④

Altitude (ft)	Gas Heating Values at Altitude (BTU/ft ³)	
	USA	Canada
0-2,000	2,500	2,500
2,001-3,000	2,212	2,250
3,001-4,000	2,123	
4,001-4,500	2,080	
4,501-5,000	2,038	2,038
5,001-6,000	1,957	1,957
6,001-7,000	1,879	1,879
7,001-8,000	1,803	1,803
8,001-9,000	1,731	1,731
9,001-10,000	1,662	1,662
10,001-11,000	1,596	1,596
11,001-12,000	1,532	1,532
12,001-13,000	1,471	1,471
13,001-14,000	1,412	1,412

① Values shown are for 3.5" W.C. manifold pressure, for other BTU content values (available from local utility) use Equation 17.1 to calculate manifold pressure.

② Values shown are for 10.0" W.C. manifold pressure, for other BTU content values (available from local utility) use Equation 17.1 to calculate manifold pressure.

③ When installed at altitudes above 2,000', a pressure switch may need to be changed. Refer to Table 17.1 to determine if a switch change is required.

④ Gas heating values are derated 4% per 1,000' of elevation in the USA and 10% between 2,000' and 4,500' elevation in Canada in accordance with ANSI Z223.1 and CSA-B149, respectively.

INSTALLATION - HIGH ALTITUDE ACCESSORY KIT

If the heating value of the gas being supplied is different than the values shown in Tables 16.1 and 16.2, use the following equation to determine the appropriate manifold pressure for the altitude and gas heating value being supplied.

Equation 17.1 - Manifold Pressure for Derated Gas

$$MP_{ACT} = \left(\frac{BTU_{TBL}}{BTU_{ACT}} \right)^2 \times MP_{SL}$$

WHERE:

- MP_{ACT}** = **Manifold Pressure (in. W.C.) at Altitude** –
Manifold pressure setting for the heater being installed
- BTU_{TBL}** = **BTU/ft³ Content of Gas** –
Obtained from Tables 16.1 or 16.2 (whichever is applicable)
- BTU_{ACT}** = **BTU/ft³ Content of Gas** –
Obtained from the local utility company
- MP_{SL}** = **Manifold Pressure (in. W.C.), at Sea Level** –
Use 3.5" W.C. for natural gas and 10.0" W.C. for propane gas

NOTE: Only the primary manifold pressure should be adjusted on units equipped with two-stage or modulating gas controls. No adjustments to the low fire manifold pressure are necessary on these units.

Table 17.1 - High Altitude Kits for PTX/BTX ①

US and Canada Altitude (ft)	Model Size						
	150	175	200	250	300	350	400
	Item Code	Item Code	Item Code	Item Code	Item Code	Item Code	Item Code
0-2,000	not required	not required	not required	not required	not required	not required	not required
2,001-5,500	67248	67248	67248	67248	67248	67248	68413
5,501-6,500	67248	67248	67248	67248	67412	67248	68413
6,501-7,000	67248	67248	67248	67248	68412	67248	68413
7,001-7,500	67248	67248	67248	67248	68412	67248	68413
7,501-8,500	68411	67248	67248	67248	68412	77787	N/A
8,501-10,000	68411	67248	55941	77785	68412	77787	N/A
10,001-11,000	68411	67248	55941	77785	68412	77787	N/A
11,001-12,000	68411	68411	55941	77785	55949	77787	N/A
12,001-13,000	68411	68411	55941	77785	55949	77787	N/A
13,001-14,000	68411	68411	55941	77785	55949	77787	N/A

① For Label Only kits(67248), Modine part number 5H0807146005 is required to be filled out and attached to the unit by the installer. Please contact the local Modine representative at 1.866.828.4328 (HEAT).

INSTALLATION - ELECTRICAL CONNECTIONS

ELECTRICAL CONNECTIONS

WARNING

1. Disconnect power supply before making wiring connections to prevent electrical shock and equipment damage.
2. All appliances must be wired strictly in accordance with wiring diagram furnished with the appliance. Any wiring different from the wiring diagram could result in a hazard to persons and property.
3. Any original factory wiring that requires replacement must be replaced with wiring material having a temperature rating of at least 105°C.
4. Ensure that the supply voltage to the appliance, as indicated on the serial plate, is not 5% greater than rated voltage.
5. When the unit on/off toggle switch is in the "OFF" position, supply power remains energized at the rear of the switch. When a factory or field installed motor starting device such as a relay or contactor are present, supply power terminals of these components may remain energized even in the "OFF" position. When providing service on or near these terminals, de-energize building supply power to the unit.

CAUTION

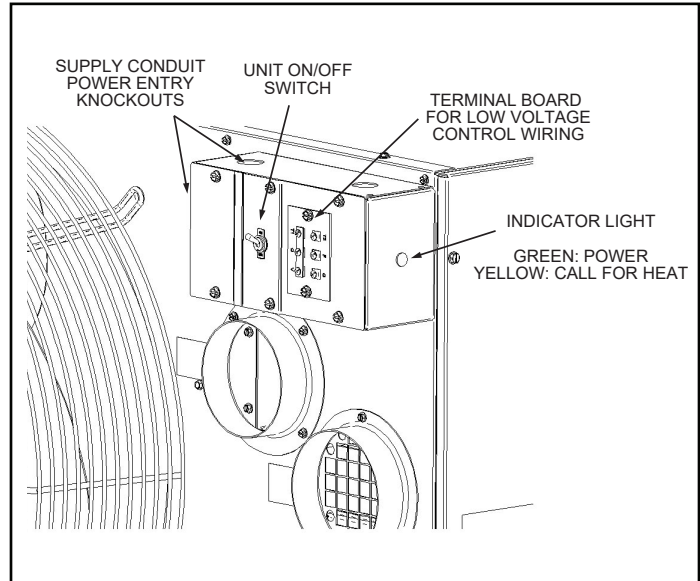
Ensure that the supply voltage to the appliance, as indicated on the serial plate, is not 5% less than the rated voltage.

1. Installation of wiring must conform with local building codes, or in the absence of local codes, with the National Electric Code ANSI/NFPA 70 - Latest Edition. Unit must be electrically grounded in conformance to this code. In Canada, wiring must comply with CSA C22.1, Part 1, Electrical Code.
2. Two copies of the unit wiring diagram are provided with each unit. One is located in the side access control compartment and the other is supplied in the literature packet. Refer to this diagram for all wiring connections.
3. Make sure all multi-voltage components (motors, transformers, etc.) are wired in accordance with the power supply voltage.
4. The power supply to the unit must be protected with a fused or circuit breaker switch.
5. The power supply must be within 5 percent of the voltage rating and each phase must be balanced within 2 percent of each other. If not, advise the utility company.
6. External electrical service connections that must be installed include:
 - a. Supply power connection (115, 208, 230, 460, or 575 volts).
 - b. Connection of thermostats, or any other accessory control devices that may be supplied (24 volts).

NOTE: All units with supply voltage 208V and greater must use a field installed step-down transformer, available as a separate accessory.

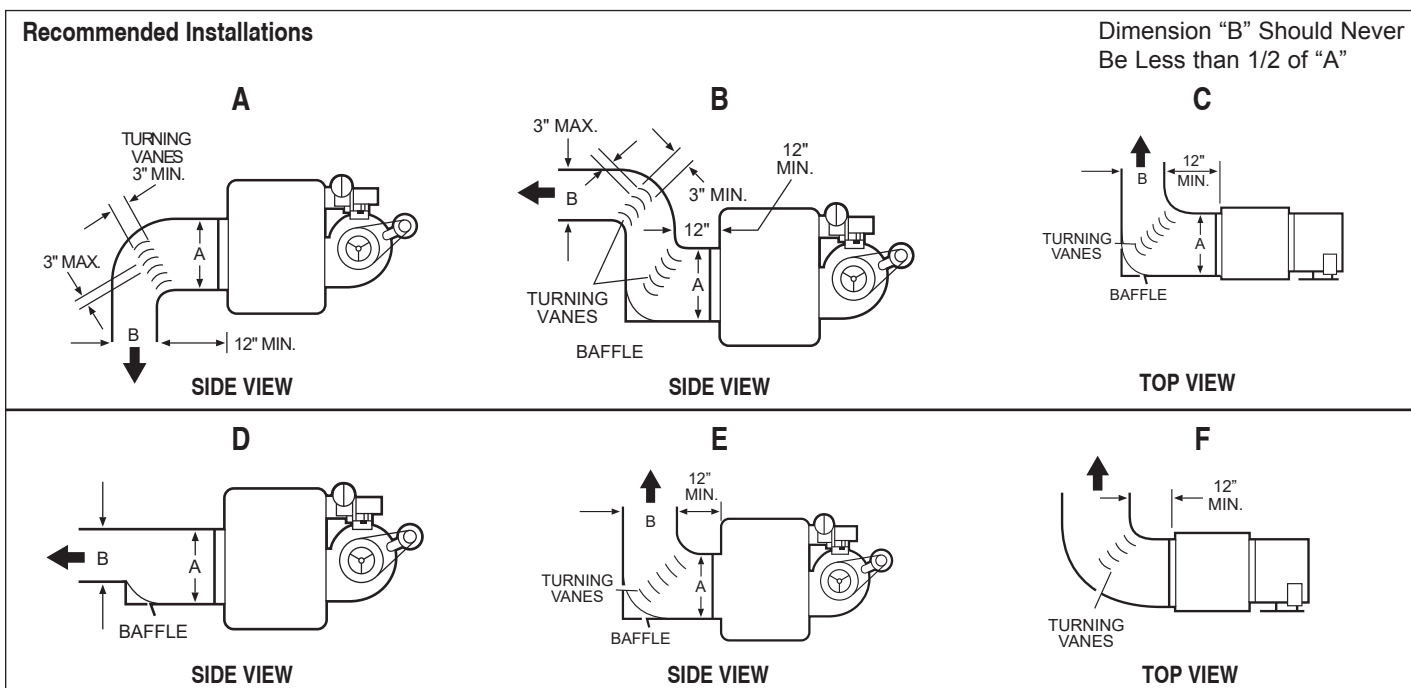
7. Refer to Figure 18.1 for the junction box wiring entry location.
8. All supply power electrical connections are made in the junction box compartment of the unit. The low voltage (thermostat and accessory control devices) can be wired to the terminals on the junction box.
9. Separated combustion models include a factory installed on/off toggle switch. The function of this switch is to disconnect power to the unit for maintenance or to shut the unit off in warm weather. Toggle switch is rated at 15amps at 125 volts or up to 3/4 HP at 125 volts.

Figure 18.1 - Contractor Convenience Box with Toggle Switch



INSTALLATION WITH DUCTWORK

Figure 19.1- Typical Duct & Airflow Installation



IMPORTANT

Do not attempt to attach ductwork of any kind to propeller models.

When installing the heater, always follow good duct design practices for even distribution of the air across the heat exchanger. Recommended layouts are shown in Figure 19.1. When installing blower units with ductwork the following must be done.

1. Provide uniform air distribution over the heat exchanger. Use turning vanes where required (see Figure 19.1).
2. Provide removable access panels in the ductwork on the downstream side of the unit heater. These openings should be large enough to view smoke or reflect light inside the casing to indicate leaks in the heat exchanger and to check for hot spots on exchanger due to poor air distribution or lack of sufficient air.
3. If ductwork is connected to the rear of the unit use Modine blower enclosure kit or if using field designed enclosure maintain dimensions of blower enclosure as shown on page 27.

Additional Requirements for Installation of Blower Models (model BTX)

Determining Blower Speed

The drive assembly and motor on gas-fired blower unit heaters with motors 2HP and below are factory assembled. 3HP and larger motors are shipped loose to prevent shipping damage. The adjustable motor sheave has been pre-set to permit operation of this unit under average conditions of air flow and without any external static pressure. The motor sheave should be adjusted as required when the unit is to be operated at other than average air flows and/or with external static pressures. Adjustment must always be within the performance range shown on page 26 and the temperature rise range shown on the unit's rating plate.

To determine the proper blower speed and motor sheave turns open, the conditions under which the unit is to operate must be known. If the blower unit is to be used without duct work or filters, the only criteria for determining the motor sheave turns open and blower speed is the amount of air to be delivered. The performance tables for blower models are shown on pages 22 and 23. As an example, a model BTX 350 unit, operating with no external static pressure, that is, no duct work, filters, etc., and is to deliver an air volume of 6481 cfm (cfm = cubic feet of air per minute) requires that the unit be supplied with a 5 hp motor, a -207 drive, and the drive sheave must be set at 2.5 turns open to achieve a blower speed of 960 rpm (see performance table for units with or without blower enclosure, page 23). See "Blower Adjustments" on page 20 for setting of drive pulley turns open.

If a blower unit is to be used with ductwork or filters, etc., the total external static pressure under which the unit is to operate, and the required air flow must be known before the unit can be properly adjusted.

If Modine filters are used, the expected pressure loss through the filters is included in the performance data on page 21. If filters or ductwork are to be used with the unit, and they are not supplied by Modine, the design engineer or installing contractor must determine the pressure loss for the externally added devices or ductwork to arrive at the total external static pressure under which the unit is to operate.

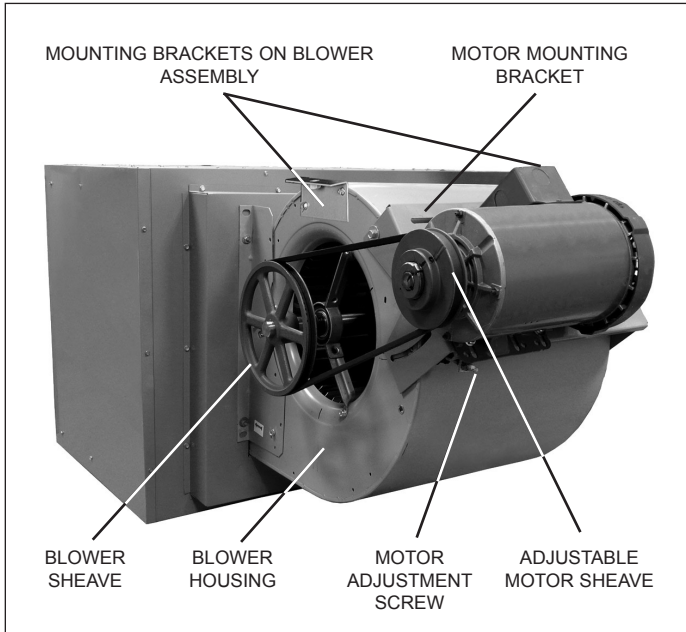
Once the total static pressure and the required air flow are known, the operating speed of the blower can be determined and the correct motor sheave adjustments made. As an example, a model BTX 350 is to be used with a Modine supplied blower enclosure and Modine supplied filters attached to ductwork. The unit is to move 6481 cfm of air flow against an external static pressure of 0.2" W.C. Also, 0.2" W.C. must be added for the filter pressure drop for a total of 0.4" W.C. total pressure drop. Entering the performance table on page 22 for a BTX 350, at 6481 cfm and 0.4" W.C. static pressure, it is seen that the unit will require a 5 hp motor using a -207 drive, and the motor sheave should be set at .5 turns open to achieve a blower speed of 1050 rpm. You can see this example differs from similar conditions in paragraph 2 by the number of turns open and a higher rpm, which is needed to overcome the added external static pressure from the filters.

INSTALLATION

To Install

1. Remove and discard the motor tie down strap and the shipping block beneath the motor adjustment screw (not used on all models.)
2. For 3 and 5 HP motors, affix sheave to the motor shaft and install motor on the motor mounting bracket. Install belt on blower and motor sheaves.

Figure 20.1 - Blower Model



3. Adjust motor adjusting screw for a belt deflection of approximately 3/4" with 5 pounds of force applied midway between the sheaves (refer to Figure 20.3). Since the belt tension will decrease dramatically after an initial run-in period, it is necessary to periodically re-check the tension. Excessive tension will cause bearing wear and noise.
4. The blower bearings are lubricated for life; however, before initial unit operation the blower shaft should be lubricated at the bearings with SAE 20 oil. This will reduce initial friction and start the plastic lubricant flowing.
5. Make electrical connections according to the wiring diagram.
6. Check rotation of the blower. Motor should be in clockwise rotation when facing motor pulley. If rotation is incorrect, correction should be made by interchanging wiring within the motor. See wiring diagram on the motor.
7. The actual current draw of the motor should be determined. Under no condition should the current draw exceed that shown on the motor rating plate.
8. It is the installer's responsibility to adjust the motor sheave to provide the specified blower performance as listed on pages 22 & 23 for blower settings different from the factory set performance. The drive number on the unit may be identified by referring to the Power Code number on the serial plate of the unit (see page 31 for model number nomenclature) and matching that number with those shown on page 21. From the listing, the drive number can be determined.

Blower Adjustments

Following electrical connections, check blower rotation to assure blow-through heating. If necessary interchange wiring to reverse blower rotation. Start fan motor and check blower sheave RPM with a hand-held or strobe-type tachometer. RPM should check out with the speeds listed in performance data shown on pages 22 and 23. A single-speed motor with an adjustable motor sheave is supplied with these units. If blower fan speed changes are required, adjust motor sheave as follows:

NOTE: Do not fire unit until blower adjustment has been made or unit may cycle on limit (overheat) control.

1. **Shut-off power before making blower speed adjustments.** Refer to "Determining Blower Speed" on page 19 and to "Performance Data" on pages 22 and 23 to determine proper blower RPM.
2. Loosen belt and take belt off of motor sheave.
3. Loosen set screw on outer side of adjustable motor sheave (see Figure 20.2).
4. To reduce the speed of the blower, turn outer side of motor sheave counterclockwise.
5. To increase the speed of the blower, turn outer side of motor sheave clockwise.
6. Retighten motor sheave set screw, replace belt and retighten motor base. Adjust motor adjusting screw such that there is 3/4" belt deflection when pressed with 5 pounds of force midway between the blower and motor sheaves (see Figure 20.3). Since the belt tension will decrease dramatically after an initial run-in period, it is necessary to periodically re-check the tension to assure continual proper belt adjustment.
7. Check to make certain motor sheave and blower sheave are aligned. Re-align if necessary.
8. Re-check blower speed after adjustment.
9. Check motor amps. Do not exceed amps shown on motor nameplate. Slow blower if necessary.
10. Check air temperature rise across unit. Check temperature rise against values shown in performance tables on pages 22 and 23 to assure actual desired air flow is being achieved.
11. If adjustments are required, recheck motor amps after final blower speed adjustment.

Figure 20.2 - Motor Sheave Adjustment

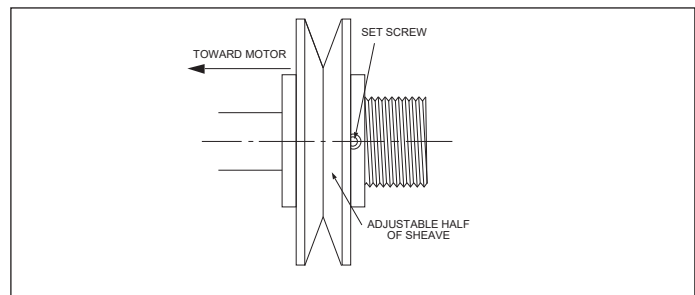
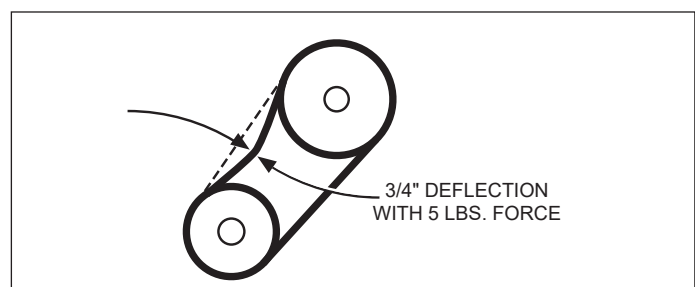


Figure 20.3 - Belt Tension Adjustment



BLOWER PERFORMANCE DATA - MODEL BTX

Table 21.1 - Power Code Description - Blower Model BTX - ①

Power Code	Voltage	Phase	BTX150		BTX175		BTX200		BTX250		BTX300		BTX350		BTX400	
			HP	Drive	HP	Drive	HP	Drive	HP	Drive	HP	Drive	HP	Drive	HP	Drive
01	115	1	1/4	230	-	-	-	-	-	-	-	-	-	-	-	-
02	115/230	1	1/3	230	1/3	238	1/2	233	1/2	204	1	240	1 1/2	250	1 1/2	247
08	208-230/460	3	1/3	230	1/3	238	1/2	233	1/2	204	1	257	1 1/2	251	1 1/2	248
11	575	3	1/3	231	1/3	239	1/2	233	1/2	204	1	257	1 1/2	251	1 1/2	248
13	115/230	1	1/3	232	1/2	229	1	229	1	241	1	241	1 1/2	247	-	-
19	208-230/460	3	1/3	232	1/2	229	1	259	1	258	1	258	1 1/2	248	2	177
22	575	3	1/3	233	1/2	229	1	259	1	258	1	258	1 1/2	248	2	177
24	115/230	1	1/2	229	1	175	1	175	1.5	23	1 1/2	243	1 1/2	252	-	-
30	208-230/460	3	1/2	229	1	253	1	253	1.5	177	1 1/2	244	1 1/2	180	3	246
33	575	3	1/2	229	1	253	1	253	1.5	177	1 1/2	244	1 1/2	180	3	246
35	115/230	1	1	175	1 1/2	237	1 1/2	235	-	-	1 1/2	23	-	-	-	-
41	208-230/460	3	1	253	1 1/2	234	1 1/2	236	2	180	1 1/2	177	2	177	5	245
44	575	3	1	253	1 1/2	234	1 1/2	236	2	180	1 1/2	177	2	177	5	245
52	208-230/460	3	-	-	-	-	-	-	-	-	2	177	2	180	-	-
55	575	3	-	-	-	-	-	-	-	-	2	177	2	180	-	-
63	208-230/460	3	-	-	-	-	-	-	-	-	3	112	3	246	-	-
66	575	3	-	-	-	-	-	-	-	-	3	112	3	246	-	-
74	208-230/460	3	-	-	-	-	-	-	-	-	-	-	5	245	-	-
77	575	3	-	-	-	-	-	-	-	-	-	-	5	245	-	-

① For selection of correct power code, refer to the tables on pages 22 - 23.

Table 21.2 - Filter Static Pressure Drop ②

	BTX150	BTX175	BTX200	BTX250	BTX300	BTX350	BTX400
Filter Static ("W.C.)	0.1	0.2	0.1	0.2	0.2	0.2	0.2

② For blower units with enclosure and filter, add the following static pressures to the static pressure determined by the system designer for total external static pressure.

BLOWER PERFORMANCE DATA - MODEL BTX

Table 22.1 - Blower Model BTX 150-250 (40-55°F temp rise for 250 size unit) - ① ② ③

Model Size	ATR	CFM	HP	External Static Pressure ("W.C.)																								HP				
				0.0			0.1			0.2			0.3			0.4			0.5			0.6			0.7							
				RPM	Drive	Turns	RPM	Drive	Turns	RPM	Drive	Turns	RPM	Drive	Turns	RPM	Drive	Turns	RPM	Drive	Turns	RPM	Drive	Turns	RPM	Drive	Turns					
150	40	2778	1	573	175	4.5	615	175	4.0	658	175	3.0	699	175	2.5	738	175	1.5	775	175	1.0	810	175	0.5	-	-	-	1				
			1/2	-	229	4.0	-	-	-	-	-	-	-	-	-	-	-	-	-	-	-	-	-	-	-	-	-	-	-	-	1/2	
			1	-	-	-	558	175	4.5	606	175	4.0	650	-	-	-	-	-	-	-	-	-	-	-	-	-	-	-	-	-	1	
	45	2469	1	510	-	-	-	-	-	-	-	-	-	-	-	-	-	-	-	-	-	-	-	-	-	-	-	-	-	1/3		
			1/2	-	232	4.0	-	-	-	-	-	-	-	-	-	-	-	-	-	-	-	-	-	-	-	-	-	-	-	-	1/2	
			1	-	-	-	513	229	5.0	565	229	4.0	612	229	3.0	656	229	2.0	699	229	1.0	739	229	0.5	-	-	-	-	-	-	1	
	50	2222	1/3	460	-	-	-	-	-	-	-	-	-	-	-	-	-	-	-	-	-	-	-	-	-	-	-	-	-	1/4		
			1/2	-	230	1.0	-	-	-	-	-	-	-	-	-	-	-	-	-	-	-	-	-	-	-	-	-	-	-	-	1/3	
			1	-	229	5.0	-	-	-	-	-	-	-	-	-	-	-	-	-	-	-	-	-	-	-	-	-	-	-	-	1	
	55	2020	1/4	418	230	2.5	477	232	3.5	532	232	2.0	582	229	2.5	629	229	1.5	674	229	1.0	717	229	0.5	-	-	-	-	-	1/4		
			1/3	-	230	2.5	-	-	-	-	-	-	-	-	-	-	-	-	-	-	-	-	-	-	-	-	-	-	-	-	1/3	
			1/2	-	-	-	448	229	5.0	506	229	3.5	559	229	2.5	609	229	1.5	656	229	1.0	701	229	0.5	-	-	-	-	-	-	1/2	
	60	1852	1	-	-	-	-	-	-	-	-	-	-	-	-	-	-	-	-	-	-	-	-	-	-	-	-	-	-	-	1/4	
			1/3	-	230	3.5	-	-	-	-	-	-	-	-	-	-	-	-	-	-	-	-	-	-	-	-	-	-	-	-	1/3	
			1/2	-	230	3.5	448	230	1.5	506	230	0.0	559	229	3.0	609	229	2.0	656	229	1.0	701	229	0.5	-	-	-	-	-	-	1/2	
	65	1709	1/4	354	230	4.0	423	230	2.0	485	230	0.5	540	232	2.0	592	232	1.0	642	229	1.5	690	229	0.5	-	-	-	-	-	1/4		
			1/3	-	230	4.0	-	-	-	-	-	-	-	-	-	-	-	-	-	-	-	-	-	-	-	-	-	-	-	-	1/3	
			1/2	-	-	-	423	229	4.5	485	229	3.5	540	229	2.5	592	229	1.5	642	229	1.0	690	229	0.5	-	-	-	-	-	-	1/2	
	70	1587	1/4	329	230	5.0	403	230	3.0	467	230	1.0	525	232	2.5	580	232	1.0	635	232	0.0	680	229	0.5	-	-	-	-	-	1/4		
			1/3	-	230	5.0	-	-	-	-	-	-	-	-	-	-	-	-	-	-	-	-	-	-	-	-	-	-	-	-	1/3	
			1/2	-	-	-	403	229	5.0	467	232	3.5	525	229	4.0	580	229	3.0	635	229	1.5	680	229	0.5	-	-	-	-	-	-	1/2	
	175	40	3241	1	625	175	3.5	655	175	3.0	690	175	2.5	727	-	-	764	175	2.0	799	175	1.5	834	175	1.0	-	-	-	-	1		
				1-1/2	-	-	-	655	175	3.0	690	175	2.5	727	237	5.0	764	237	4.5	799	237	3.5	834	237	2.5	-	-	-	-	-	-	1-1/2
				1	-	175	5.0	589	175	4.5	630	175	3.5	672	175	3.0	712	175	2.0	750	175	1.5	786	175	1.0	-	-	-	-	-	-	1
45		2881	1-1/2	-	-	-	-	-	-	-	-	-	-	-	-	-	-	-	-	-	-	-	-	-	-	-	-	-	-	-	1-1/2	
			1	-	229	4.5	538	229	3.5	584	229	2.5	630	229	1.5	673	229	0.5	713	229	0.0	751	229	0.5	-	-	-	-	-	-	1	
			1/2	-	-	-	538	175	5.0	584	175	4.5	630	175	3.5	673	175	3.0	713	175	2.0	751	175	1.5	-	-	-	-	-	-	1/2	
50		2593	1-1/2	-	-	-	-	-	-	-	-	-	-	-	-	-	-	-	-	-	-	-	-	-	-	-	-	-	-	-	1-1/2	
			1	-	238	2.5	497	229	4.5	548	229	3.5	597	229	2.5	642	229	1.5	684	229	0.5	724	229	0.5	-	-	-	-	-	-	1	
			1/2	-	229	5.0	-	-	-	-	-	-	-	-	-	-	-	-	-	-	-	-	-	-	-	-	-	-	-	-	1/2	
55		2357	1/3	454	-	-	-	-	-	-	-	-	-	-	-	-	-	-	-	-	-	-	-	-	-	-	-	-	-	-	1/3	
			1/2	-	238	2.5	-	-	-	-	-	-	-	-	-	-	-	-	-	-	-	-	-	-	-	-	-	-	-	-	1/2	
			1	-	229	5.0	497	229	4.5	548	229	3.5	597	229	2.5	642	229	1.5	684	229	0.5	724	229	0.5	-	-	-	-	-	-	1	
60		2160	1-1/2	-	-	-	-	-	-	-	-	-	-	-	-	-	-	-	-	-	-	-	-	-	-	-	-	-	-	-	1-1/2	
			1/3	-	238	4.0	-	-	-	-	-	-	-	-	-	-	-	-	-	-	-	-	-	-	-	-	-	-	-	-	1/3	
			1/2	-	238	4.0	464	229	5.0	520	229	4.0	571	229	3.0	618	229	2.0	662	229	1.0	705	229	0.5	-	-	-	-	-	-	1/2	
65		1994	1	-	-	-	-	-	-	-	-	-	-	-	-	-	-	-	-	-	-	-	-	-	-	-	-	-	-	-	1	
			1/2	-	238	4.5	-	-	-	-	-	-	-	-	-	-	-	-	-	-	-	-	-	-	-	-	-	-	-	-	1/2	
			1-1/2	-	238	4.5	438	229	4.5	497	229	3.5	550	229	2.5	599	229	1.5	645	229	0.5	690	229	0.5	-	-	-	-	-	-	1-1/2	
70		1852	1/3	384	238	5.0	438	238	3.0	497	238	1.5	550	238	0.0	599	238	0.0	645	229	1.5	690	229	0.5	-	-	-	-	-	-	1/3	
			1/2	-	238	5.0	-	-	-	-	-	-	-	-	-	-	-	-	-	-	-	-	-	-	-	-	-	-	-	-	1/2	
			1	-	238	5.0	415	238	3.5	477	229	5.0	533	229	3.5	584	229	2.5	632	229	1.5	678	229	1.0	-	-	-	-	-	-	1	
200		40	3704	1-1/2	715	235	3.5	741	235	2.5	770	235	2.0	-	-	-	-	-	-	-	-	-	-	-	-	-	-	-	-	-	1-1/2	
				1	-	175	3.5	665	175	3.0	698	-	-	735	-	-	772	-	-	807	-	-	841	-	-	-	-	-	-	-	1	
				1-1/2	-	229	1.5	665	229	1.0	698	-	-	735	-	-	772	-	-	807	-	-	841	-	-	-	-	-	-	-	-	1-1/2
	45	3292	1	635	235	5.0	665	235	3.0	698	235	4.0	735	235	3.0	772	235	2.0	807	235	1.0	841	235	0.0	-	-	-	-	-	-	1	
			1-1/2	-	175	4.5	665	175	4.0	698	175	3.5	735	175	2.5	772	175	1.5	807	175	1.0	841	175	0.5	-	-	-	-	-	-	1-1/2	
			1	-	235	5.0	665	235	3.0	698	235	4.0	735	235	3.0	772	235	2.0	807	235	1.0	841	235	0.0	-	-	-	-	-	-	1	
	50	2963	1	571	229	3.0	604	229	2.5	643	229	1.5	684	229	0.5	723	229	0.0	761	229	0.0	797	229	0.0	-	-	-	-	-	-	1	
			1-1/2	-	175	4.5	604	175	4.0	643	175	3.5	684	175	2.5	723	175	1.5	761	175	1.0	797	175	0.5	-	-	-	-	-	-	1-1/2	
			1	-	233	2.5	556	233	1.5	600	233	0.5	644	233	0.0	686	233	0.0	725	233	0.0	763	233	0.0	-	-	-	-	-	-	1	
	55	2694	1	519	-	-	556	175	5.0	600	175	4.0	644	175	3.5	686	175	2.5	725	175	2.0	763	175	1.0	-	-	-					

INSTALLATION - OPERATION

OPERATION

Prior to Operation

IMPORTANT

1. To prevent premature heat exchanger failure, observe heat exchanger tubes. If the tubes become red while blower and furnace are in operation, check to be sure the blower has been set to the proper rpm for the application. Refer to page 20 for blower adjustments.
2. Start-up and adjustment procedures must be performed by a qualified service agency.

Although this unit has been assembled and fire-tested at the factory, the following pre-operational procedures should be performed to assure proper on-site operation.

1. Turn off power to the unit at the disconnect switch. Check that fuses or circuit breakers are in place and sized correctly. Turn all hand gas valves to the "OFF" position.
2. Remove the side control access panel.
3. Check that the supply voltage matches the unit supply voltage listed on the Model Identification plate. Verify that all wiring is secure and properly protected. Trace circuits to insure that the unit has been wired according to the wiring diagram. If installed at altitudes above 2,000' and the high altitude kit includes a combustion air proving switch, replace the switch in the unit with the switch provided in the kit. Take care to ensure that the tubing and electrical connections are securely fastened.
4. Check to insure that the venting system is installed correctly and free from obstructions. Before you start use the following steps to verify that the venting system is adequately sized:
 - a. Seal any unused openings in the venting system.
 - b. Inspect the venting system for proper size and horizontal pitch, as required in the National Fuel Gas Code, ANSI Z223.1 (NFPA 54) or CSA B149.1 Installation Code - latest edition and these instructions. Determine that there is no blockage or restriction, leakage, corrosion, or other deficiencies, which could cause an unsafe condition.
 - c. Insofar as practical, close all building doors and windows and all doors between the space in which the appliance(s) connected to the venting system is (are) located and other spaces of the building. Turn on clothes dryers and any exhaust fans such as range hoods and bathroom exhausts, so they shall operate at maximum speed. Do not operate a summer exhaust fan. Close fireplace dampers.
 - d. Follow the lighting instructions. Place the appliance being inspected in operation. Adjust thermostat so that the appliance will operate continuously.
 - e. After it has been determined that each appliance connected to the venting system properly vents when tested as outlined above, return doors, windows, exhaust fans, fireplace dampers and any other gas-burning appliance to their previous conditions of use.
 - f. If improper venting is observed during any of the above tests, the venting system must be corrected.
5. Check to see that there are no obstructions to the intake and discharge of the unit.
6. Check fan clearance. Fan should not contact casing when spun by hand.
7. Check to make sure that all filters are in place and that they are installed properly according to direction of air flow (if applicable).
8. Perform a visual inspection of the unit to make sure no damage has occurred during installation. Check to ensure all fasteners are in place and the burner openings are properly aligned with the heat exchanger tubes and that the gas orifices are centered in the burner inspirator tube opening.
9. Check that all horizontal deflector blades are open a minimum of 30° as measured from vertical.

10. Turn on power to the unit at the disconnect switch.
11. Check the thermostat, ignition control, gas valve, and supply fan blower motor for electrical operation. If these do not function, recheck the wiring diagram.
12. Check the blower wheel for proper direction of rotation when compared to the air flow direction arrow on the blower housing (if applicable). Blower wheel rotation, not air movement, must be checked as some air will be delivered through the unit with the blower wheel running backwards.
13. For blower units, check the blower speed (rpm). Refer to "Blower Adjustments" for modification.
14. Check the motor speed (rpm).
15. Check the motor voltage.
16. Check the motor amp draw to make sure it does not exceed the motor nameplate rating.
17. Recheck the gas supply pressure at the field installed manual shut-off valve. The minimum inlet pressure should be 6" W.C. on natural gas and 11" W.C. on propane gas. The maximum inlet pressure for either gas is 14" W.C. If inlet pressure exceeds 14" W.C., a gas pressure regulator must be added upstream of the combination gas valve.
18. Open the field installed manual gas shut-off valve.
19. Place the manual main gas valve on the combination gas valve in the "On" position. Call for heat with the thermostat.
20. Check to make sure that the main gas valve opens. Check the manifold gas pressure (see "Main Gas Adjustment") while the supply fan blower is operating.
21. Check to insure that gas controls sequence properly (see "Control Operating Sequence"). If you are not familiar with the unit's controls (i.e. combination gas control), refer to the control manufacturer's literature supplied with the unit.
22. Once proper operation of the unit has been verified, remove any jumper wires that were required for testing.
23. Replace the side control access panel.
24. If installed at altitudes above 2,000', affix label included with high altitude kit and fill in all fields with a permanent marker.

Main Burner Adjustment

The gas pressure regulator (integral to the combination gas control) is adjusted at the factory for average gas conditions. It is important that gas be supplied to the unit heater in accordance with the input rating on the serial plate. Actual input should be checked and necessary adjustments made after the unit heater is installed. Over-firing, a result of too high an input, reduces the life of the appliance and increases maintenance. Under no circumstances should the input exceed that shown on the serial plate.

Measuring the manifold pressure is done at the outlet pressure tap of the gas valve.

To Adjust the Manifold Pressure

1. Move the field installed manual shut-off valve to the "OFF" position.
2. Remove the 1/8" pipe plug from the outlet pressure tap on the gas valve and attach a water manometer of "U" tube type which is at least 12" high.
3. Move the field installed manual gas shut-off valve to the "ON" position.
4. Create a high-fire call for heat from the thermostat.
5. Refer to Table 15.1 to determine the correct high fire manifold pressure for the gas type of the unit. Pressures at 0-2,000' elevation are 3.5" W.C. for natural gas, 10" W.C. for propane gas, for elevations above 2,000' refer to the instructions in "Gas Connections - High Altitude Accessory Kit" on page 16. Adjust the main gas pressure regulator spring to achieve the proper manifold pressure (for location, see the combination gas control literature supplied with unit).
6. After adjustment, move the field installed manual shut-off valve to the "OFF" position and replace the 1/8" pipe plug.
7. After the plug is in place, move the field installed manual shut-off valve to the "ON" position and recheck pipe plugs for gas leaks with soap solution.

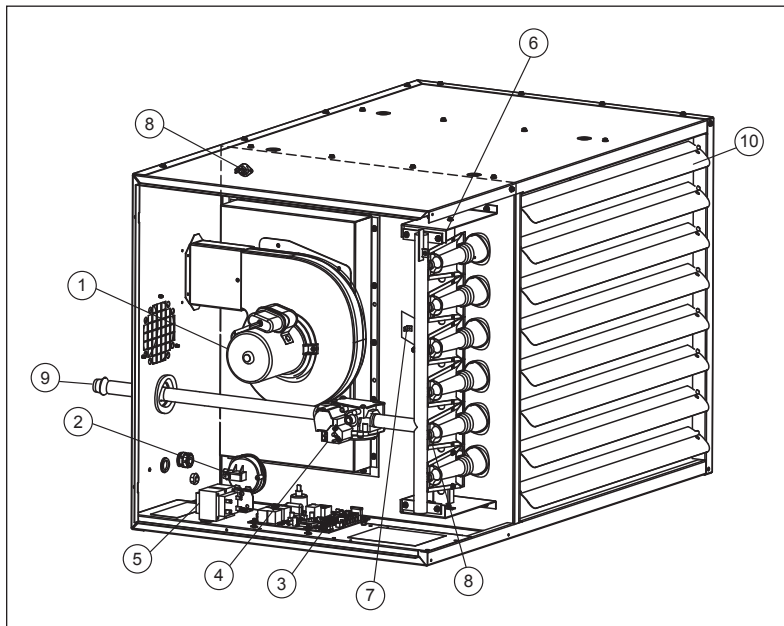
CONTROL OPERATING SEQUENCE / UNIT COMPONENTS

CONTROL OPERATING SEQUENCE

Upon a call for heat from the thermostat, power is supplied to the power exhaustor motor. The unit will go through a purge period and then the direct spark igniter will be energized. At the same time, the main valve in the combination control valve will open to allow gas to flow to the burners. If the fan motor has

not already started it will start shortly. If a flame is not sensed within 7 seconds for any reason the main valve will close and there will be a short purge period before ignition is tried again. If the flame is not sensed after 4 tries there will be at least a 1 hour wait before ignition is tried again.

Figure 25.1 - Major Gas, Electrical Service, Safety and Other Components



- | | |
|--|--------------------------------------|
| 1. Power Exhauster | 6. Flame Sensor (hidden) |
| 2. Pressure Switch | 7. Direct Spark Igniter (hidden) |
| 3. Integrated Direct Spark Control Board | 8. Auto Reset Limit Control (hidden) |
| 4. Combination Gas Control | 9. Gas Pipe Connection |
| 5. Control Transformer | 10. Horizontal Air Deflector Blades |

Table 25.1 - Control Options

Control Description	Control Code No.	Service Voltage	Thermostat Voltage	Type of Gas
Single-Stage, Direct Spark Ignition, 100% Shut-Off with Continuous Retry Utilizes a single-stage combination gas control with ignition control. Gas is lit with a direct spark igniter on call for heat.	11	115V	24V	natural
	21	115V	24V	propane
Two-Stage, Direct Spark Ignition, 100% Shut-Off with Continuous Retry Utilizes a two-stage combination gas control with built-in ignition control. Firing rate is 100% and 50% of full rated input. Gas is lit with a direct spark igniter on call for heat.	12	115V	24V	natural
	22	115V	24V	propane

GENERAL PERFORMANCE DATA - MODELS PTX & BTX

Table 26.1 - Propeller Unit Model PTX General Performance Data

	Model PTX Sizes						
	150	175	200	250	300	350	400
Btu/Hr Input ①	150,000	175,000	200,000	250,000	300,000	350,000	400,000
Btu/Hr Output ①	123,000	143,500	166,000 ^④	207,500 ^④	249,000 ^④	290,500 ^④	332,000
Efficiency	82%	82%	83% ^④	83% ^④	83% ^④	83% ^④	83%
Entering Airflow (CFM) @ 70°F	2140	2725	2870	3995	4545	5280	5995
Outlet Velocity (FPM)	711	607	643	721	824	748	851
Air Temp. Rise (°F)	53	48	52	47	50	50	51
Max. Mounting Height (Ft.) ②	15	14	15	18	19	18	21
Heat Throw (Ft.) @ Max Mtg Ht ②	51	50	53	62	69	65	74
Motor Type ③	PSC	PSC	PSC	PSC	PSC	PSC	PSC
Motor HP	1/6	1/6	1/3	1/3	1/2	1/2	3/4
Motor RPM	1075	1075	1075	1075	1075	1125	1125

Table 26.2 - Blower Unit Model BTX General Performance Data

	Model BTX Sizes						
	150	175	200	250	300	350	400
Btu/Hr Input ①	150,000	175,000	200,000	250,000	300,000	350,000	400,000
Btu/Hr Output ①	123,000	143,500	164,000	205,000	246,000	287,000	328,000
Efficiency	82%	82%	82%	82%	82%	82%	82%
Entering Airflow Range (CFM)	1587-2778	1852-3241	2116-3704	2646-4630	3175-5556	3704-6481	4233-7407
Outlet Velocity (FPM)	543-903	428-711	489-813	497-826	596-991	543-903	621-1032
Air Temp. Rise (°F)	40-70	40-70	40-70	40-70	40-70	40-70	40-70
Max. Mounting Height (Ft.) ②	9-21	8-18	9-21	10-22	11-26	11-26	13-29
Heat Throw (Ft.) @ Max Mtg Ht ②	33-75	28-65	32-74	34-78	40-94	39-90	44-102
Motor Type ③	T.E	T.E	T.E	T.E	T.E	T.E	T.E
Motor HP	See Table 21.1						
Motor RPM	1725	1725	1725	1725	1725	1725	1725

① Ratings shown are for elevations up to 2,000'. For elevations above 2,000', ratings should be reduced at the rate of 4% for each 1,000' above sea level (in Canada see rating plate.) Reduction of ratings requires use of a high altitude kit.

② Data taken at 55°F air temperature rise. At 65°F ambient and unit fired at full-rated input. Mounting height as measured from bottom of unit, and without deflector hoods. For units equipped with deflector hoods, see page 27.

③ All motors used are produced, rated and tested by reputable manufacturers in accordance with NEMA standards and carry the standard warranty of both the motor manufacturer and Modine. All motors are totally enclosed and all single phase motors have built-in thermal overload protection.

④ For models sizes 200,250,300, and 350 the efficiency is 83% for 1 pipe vented installation and 82% for 2 pipe separated combustion installation. Btu/Hr output shown is for 1 pipe vented installation, corresponding Btu/Hr output for 2 pipe separated combustion installation is 1 percentage point lower.

PERFORMANCE DATA - DEFLECTOR HOODS

Figure 27.1 - 30°, 60°, and 90° Downward Deflector Hoods

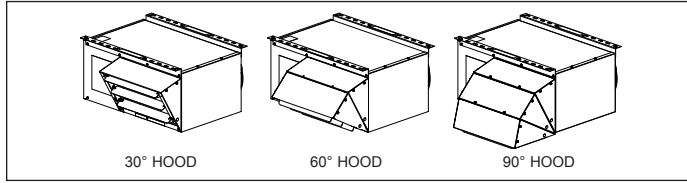


Figure 27.3 - 90° Hood Throw/Floor Coverage

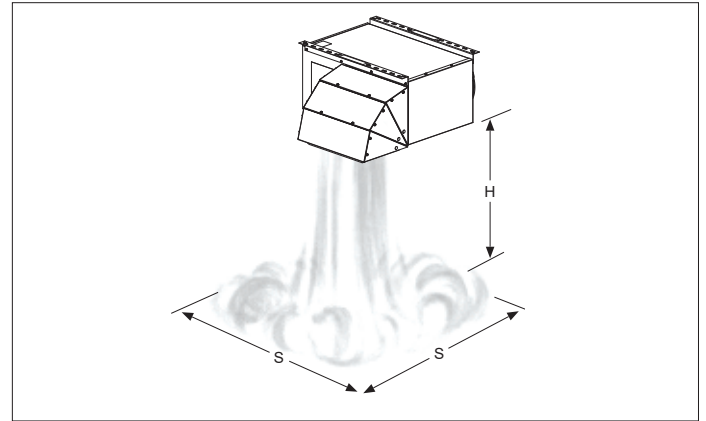


Figure 27.2 - 30° and 60° Throw/Floor Coverage

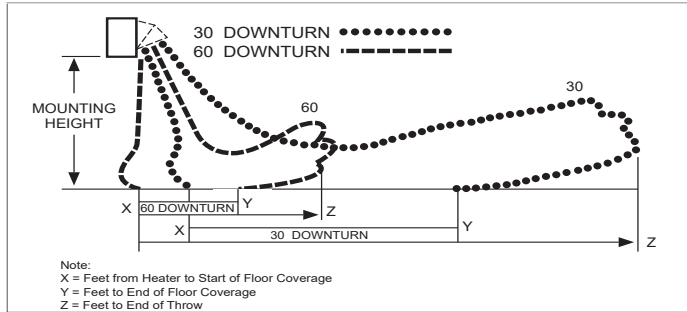


Table 27.2 - Deflector Hood General Performance Data - Model PTX

Model Size	Airflow (cfm)	Temp Rise (°F)	Mounting Height (ft)	Blade Angle (°)	30° Hood			60° Hood			90° Hood	
					X (ft)	Y (ft)	Z (ft)	X (ft)	Y (ft)	Z (ft)	S (ft)	
150	2139	53	8	60	15	32	44	0	34	47	24	
			10	52	13	31	42	0	32	44	21	
			12	42	12	29	40	0	29	40	19	
			14	30	10	26	36	0	25	34	18	
			16	9	7	20	29	0	17	24	17	
175	2726	48	8	60	14	32	43	0	33	46	23	
			10	51	13	30	42	0	31	43	21	
			12	41	12	28	39	0	28	39	19	
			14	29	10	25	35	0	24	33	17	
			16	8	6	17	26	0	15	21	16	
200	2780	52	8	59	14	30	42	0	32	44	22	
			10	49	12	29	40	0	30	41	19	
			12	39	11	27	37	0	26	36	18	
			14	24	9	23	33	0	21	30	16	
250	3994	47	8	66	19	41	56	0	43	59	32	
			10	60	18	40	54	0	42	57	29	
			12	53	17	38	53	0	40	54	26	
			14	46	15	36	50	0	37	51	24	
			16	37	14	34	47	0	33	46	23	
			18	26	12	31	43	0	28	40	21	
300	4543	50	8	69	22	45	62	0	48	66	37	
			10	63	21	44	61	0	47	64	33	
			12	57	19	43	59	0	45	62	30	
			14	51	18	42	57	0	43	59	28	
			16	44	17	40	55	0	40	55	26	
			18	35	15	37	52	0	36	50	25	
350	5278	50	20	25	13	33	47	0	31	43	24	
			22	9	8	25	37	0	21	30	23	
			8	68	20	43	58	0	45	62	34	
			10	61	19	42	57	0	44	60	31	
			12	55	18	40	55	0	42	58	28	
			14	48	17	39	53	0	40	54	26	
400	5995	51	16	40	15	37	51	0	36	50	24	
			18	31	13	34	47	0	32	44	23	
			20	17	10	29	41	0	25	35	22	
			21	2	7	23	34	0	18	26	21	
			8	70	24	49	66	0	52	71	41	
			10	65	22	48	65	0	51	69	37	
400	5995	51	12	59	21	47	64	0	49	67	34	
			14	54	20	45	62	0	47	64	31	
			16	47	19	44	60	0	44	61	29	
			18	40	17	41	57	0	41	57	28	
			20	32	15	38	54	0	37	51	26	
			22	21	13	34	48	0	31	43	25	
			23	13	11	31	44	0	26	37	24	

Table 27.1 - Deflector Hood General Performance Data - Model BTX

Model Size	Airflow (cfm)	Temp Rise (°F)	Mounting Height (ft)	Blade Angle (°)	30° Hood			60° Hood			90° Hood	
					X (ft)	Y (ft)	Z (ft)	X (ft)	Y (ft)	Z (ft)	S (ft)	
150	2020	55	8	57	13	29	40	0	31	42	21	
			10	48	12	28	38	0	28	39	19	
			12	37	10	25	35	0	25	34	17	
			14	21	8	21	30	0	19	27	16	
			15	10	7	19	27	0	12	18	15	
175	2357	55	8	51	11	24	33	0	25	34	17	
			10	39	9	22	31	0	22	30	15	
			12	22	7	19	26	0	17	23	14	
			13	2	5	14	21	0	10	14	13	
200	2694	55	8	57	13	29	39	0	30	41	20	
			10	47	12	27	37	0	28	38	18	
			12	35	10	25	34	0	24	33	17	
			14	18	7	20	29	0	18	25	15	
			15	2	5	16	24	0	11	16	15	
250	3367	55	8	59	14	31	42	0	32	44	22	
			10	50	13	29	40	0	30	41	20	
			12	39	11	27	37	0	27	37	18	
			14	25	9	23	33	0	22	30	17	
			15	15	7	20	29	0	18	25	16	
300	4040	55	8	64	17	37	51	0	40	54	29	
			10	57	16	36	50	0	38	52	26	
			12	50	15	35	48	0	36	49	23	
			14	41	13	33	45	0	33	45	22	
			16	30	12	30	41	0	28	39	20	
350	4714	55	18	14	9	24	35	0	21	29	19	
			8	63	16	36	49	0	37	51	27	
			10	55	15	34	47	0	36	49	24	
			12	47	14	33	45	0	33	46	22	
			14	37	12	30	42	0	30	41	20	
			16	25	10	27	38	0	25	34	19	
400	5387	55	18	2	6	20	29	0	13	19	18	
			8	67	19	41	56	0	44	60	32	
			10	60	18	40	55	0	42	58	29	
			12	53	17	39	53	0	40	55	26	
			14	46	15	37	51	0	37	51	25	
			16	37	14	34	48	0	34	47	23	
			18	26	12	31	43	0	29	40	22	
			20	8	8	23	34	0	20	28	21	

Note: Refer to Figures 27.2 through 27.3.

Note: Refer to Figures 27.2 through 27.3.

DIMENSIONAL DATA - MODEL PTX

Propeller Units - Model PTX

Figure 28.1 - Dimensional Drawings

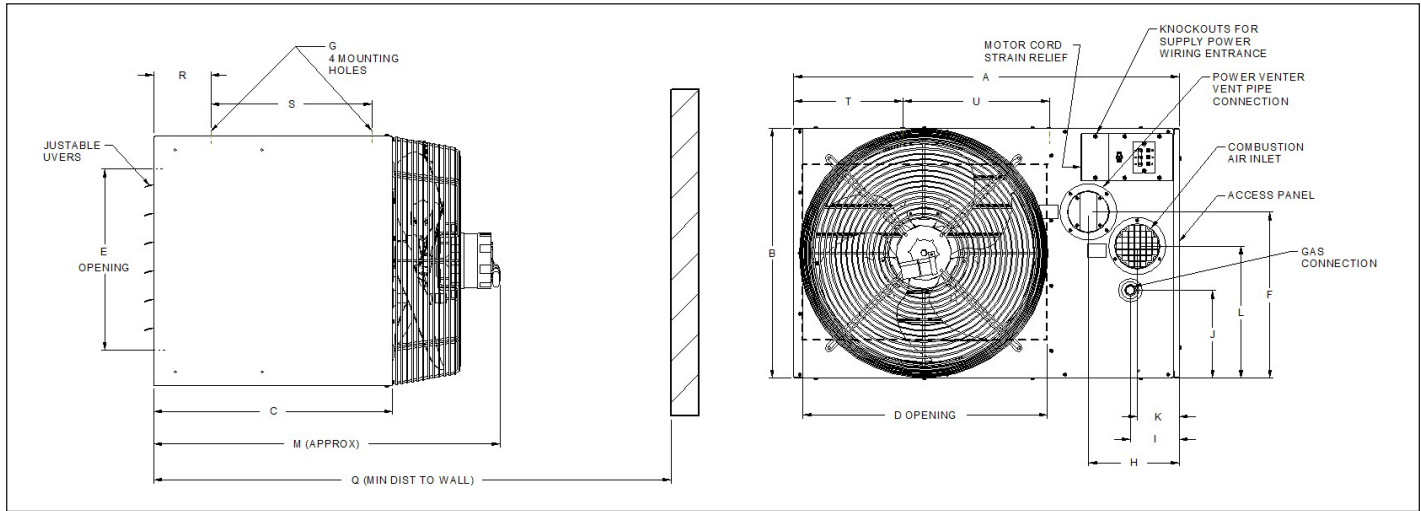


Table 28.1 - Dimensions (inches) - PTX ①

Models	PTX150	PTX175	PTX200	PTX250	PTX300	PTX350	PTX400
A	35.53	42.53	42.53	42.53	42.53	42.53	42.53
B	23.06	25.81	25.81	31.31	31.31	39.56	39.56
C	22.05	22.05	22.05	22.05	22.05	22.05	22.05
D	22.52	29.52	29.52	29.52	29.52	29.52	29.52
E	16.20	18.95	18.95	24.46	24.46	32.17	32.17
F	15.33	16.70	16.70	19.45	19.45	23.58	23.58
G (Mounting Hole) ②	3/8-16	3/8-16	3/8-16	3/8-16	3/8-16	3/8-16	3/8-16
H	8.37	8.37	8.37	8.37	8.37	8.37	8.37
I	4.50	4.50	4.50	4.50	4.50	4.50	4.50
J	8.09	9.47	9.47	6.72	6.72	10.84	10.84
K	3.87	3.87	3.87	5.20	5.20	5.20	5.20
L	12.17	13.55	13.55	12.66	12.66	16.78	16.78
M	31.79	32.83	34.43	33.83	33.83	34.83	34.83
Q ③	43.79	44.83	46.43	45.83	45.83	46.83	46.83
R	3.56	3.56	3.56	3.56	3.56	3.56	3.56
S	14.90	14.90	14.90	14.90	14.90	14.90	14.90
T	10.00	10.00	10.00	10.00	10.00	10.00	10.00
U	13.54	20.53	20.53	20.53	20.53	20.53	20.53
Gas Connection	1/2	1/2	1/2	3/4	3/4	3/4	3/4
Vent and Combustion Air Connector Size	4"	4"	4"	6"	6"	6"	6"
Fan Diameter	20.00	22.00	22.00	22.00	22.00	24.00	26.13
Approx. Shipping Weight (lbs.)	165	210	220	265	270	310	320

① Do not use propeller units with duct work.

② Listed is the hole diameter and threads per inch to accept threaded rod.

③ Dimension equals overall plus 12".

DIMENSIONAL DATA - MODEL BTX

Blower Units - Model BTX

Figure 29.1 - Dimensional Drawings

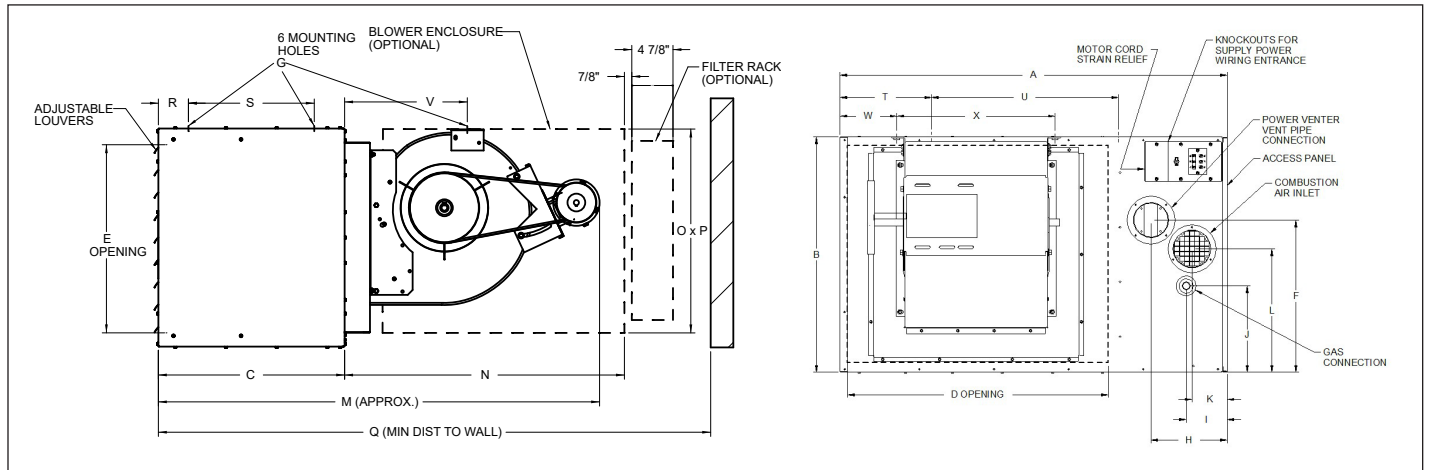


Table 29.1 - Dimensions (inches) - BTX

Models	BTX150	BTX175	BTX200	BTX250	BTX300	BTX350	BTX400
A	35.53	42.53	42.53	42.53	42.53	42.53	42.53
B	23.06	25.81	25.81	31.31	31.31	39.56	39.56
C	22.05	22.05	22.05	22.05	22.05	22.05	22.05
D	22.52	29.52	29.52	29.52	29.52	29.52	29.52
E	21.18	23.93	23.93	24.46	24.46	32.17	32.17
F	15.33	16.70	16.70	19.45	19.45	23.58	23.58
G (Mounting Hole) ①	3/8-16	3/8-16	3/8-16	3/8-16	3/8-16	3/8-16	3/8-16
H	8.37	8.37	8.37	8.37	8.37	8.37	8.37
I	4.50	4.50	4.50	4.50	4.50	4.50	4.50
J	8.09	9.47	9.47	6.72	6.72	10.84	10.84
K	3.87	3.87	3.87	5.20	5.20	5.20	5.20
L	12.17	13.55	13.55	12.66	12.66	16.78	16.78
M ②	52.25	52.19	52.19	58.88	58.88	58.88	58.88
N	33.18	33.90	33.90	39.88	39.88	39.88	39.88
O	23.90	24.13	24.13	27.04	27.04	28.57	28.57
P	24.77	24.52	24.52	27.19	27.19	28.28	28.28
Q (w/Blower Encl & Filter Rack)	73.04	73.70	73.70	79.68	79.68	79.68	79.68
Q (w/o Blower Encl & Filter Rack)	64.25	64.19	64.19	70.88	70.88	70.88	70.88
R	3.56	3.56	3.56	3.56	3.56	3.56	3.56
S	14.90	14.90	14.90	14.90	14.90	14.90	14.90
T	10.00	10.00	10.00	10.00	10.00	10.00	10.00
U	13.54	20.53	20.53	20.53	20.53	20.53	20.53
V	14.52	14.52	14.52	18.04	18.04	18.00	18.00
W	3.27	7.15	7.15	4.77	4.77	5.24	5.24
X	17.38	17.38	17.38	20.38	20.38	20.38	20.38
Gas Connection	1/2	1/2	1/2	3/4	3/4	3/4	3/4
Vent and Combustion Air Connector Size	4"	4"	4"	6"	6"	6"	6"
Blower	12-12	12-12	12-12	15-15	15-15	15-15	15-15
Approx. Shipping Weight (lbs.)	220	275	280	340	345	395	405

① Listed is the hole diameter and threads per inch to accept threaded rod.

② This is an approximate dimension for standard motors, allow 3" for sheave and optional motors.

SERVICE / MAINTENANCE / TROUBLESHOOTING

WARNING

When servicing or repairing this equipment, use only factory-approved service replacement parts. A complete replacement parts list may be obtained by contacting the factory. Refer to the rating plate on the appliance for complete appliance model number, serial number, and company address. Any substitution of parts or controls not approved by the factory will be at the owner's risk.

CAUTION

1. Service or repair of this equipment must be performed by a qualified service agency.
2. Do not attempt to reuse any mechanical or electrical controllers which have been wet. Replace defective controller.

IMPORTANT

To check most of the possible remedies in the troubleshooting guide listed in Table 30.1, refer to the applicable sections of the manual.

General Maintenance

The unit and venting system must be checked once a year by a qualified service technician.

All installation and service of these units must be performed by a qualified installation and service agency.

Before any service, BE SURE TO TURN OFF GAS AT THE MANUAL SHUT-OFF VALVE AHEAD OF THE COMBINATION GAS CONTROL AND TURN OFF ALL ELECTRIC POWER TO THE HEATER.

1. Service air moving components annually.
 - a. Check fan for fit on motor shaft and for damage to blades.
2. Keep unit free from dust, dirt, grease, and foreign matter, paying particular attention to:
 - a. Combustion air inlets.
 - b. Burners and burner orifices. Turn off gas ahead of the combination gas control and shut off electric power to the heater. Remove the access panel, open the union on the gas line, and disconnect the igniter and sensor wires. Remove the screws that attach the burner tray to the header plate and remove the burner tray and manifold assembly from the heater. Carefully clean the burners with a wire brush or other suitable means. Replace any damaged or deteriorating burners or orifices. Install the burner assembly back onto the header, making certain that all screws, pipes and electrical connections are tight.

CAUTION: Be careful when handling the igniter and flame sensor.

3. Inspect the flame sensor and igniter for deterioration and/or cracks.
4. Verify that the burners are touching each other at the carryover points. This will ensure flame carryover from burner to burner.
 - a. Clean exterior of heat exchanger tubes.
 - b. Fan blades.
5. Check wiring for possible loose connections.
6. The gas valves and piping should be checked annually for general cleanliness and tightness. The gas controls should be checked to insure that the unit is operating properly. See control instruction sheets furnished separately with the unit heater.
7. The power exhaust motor bearings have been lubricated for long life and do not require additional lubrication. In dirty atmospheres, it may be desirable to clean the motors and blower housing and blow out the cooling air passages of the motor with compressed air.
8. Perform periodic cleaning of inlet and vent terminal screens.

Table 30.1 - Troubleshooting

TROUBLE	POSSIBLE CAUSE	POSSIBLE REMEDY
Unit does nothing	<ol style="list-style-type: none"> 1. Power supply is off 2. No 24V power to thermostat 3. Thermostat malfunction 4. LED flashes 5. Blown fuse on control board 6. Defective control 	<ol style="list-style-type: none"> 1. Turn on main power 2 a. Check control transformer <ol style="list-style-type: none"> b. If failed transformer - check thermostat wire gage and length 3 a. Verify wire connections to R&W terminals only <ol style="list-style-type: none"> b. Check / replace thermostat 4. Check LED flash code 5. Replace fuse 6. Replace control
LED light off or flashing	<ol style="list-style-type: none"> 1. Blown fuse on control board 2. Multiple causes 	<ol style="list-style-type: none"> 1. Replace fuse 2. Control board LED flash codes vary with control type. A decal is installed in the unit giving a brief description of the applicable codes for your heater. For more detail, see the control board data sheet included with the unit.
Unit starts but does not ignite	<ol style="list-style-type: none"> 1. Main gas is off 2. Air in gas line 3. Main or manifold gas pressure 4. Check gas valve switch 	<ol style="list-style-type: none"> 1. Open manual gas valve 2. Purge gas line 3. Set gas pressures per manual instructions 4. Set gas valve switch to "ON" position
Unit goes through cycle but the burners go out in less than 10 seconds	<ol style="list-style-type: none"> 1. Reversed main power polarity 2. Unit not grounded 3. Flame not sensed 	<ol style="list-style-type: none"> 1. Black wire - HOT, White wire - NEUTRAL, Green wire - GROUND 2. Ground unit and verify quality of ground connection 3. Check flame sense probe and connection
Air circulating fan inoperable	<ol style="list-style-type: none"> 1. Loose connections 2. Defective control board 3. Defective fan motor 	<ol style="list-style-type: none"> 1. Check all connections 2. Check control board data sheet and function 3. Check fan motor

MODEL & SERIAL NUMBER / REPLACEMENT PARTS

Figure 31.1 - Model Number Designations (Serial plate located on rear panel)

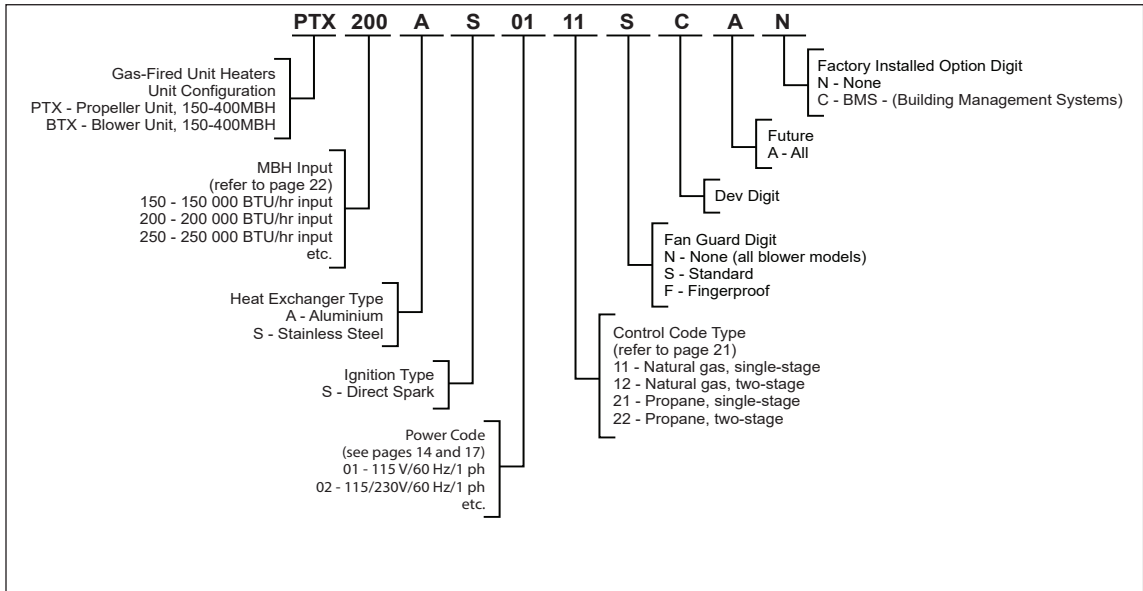
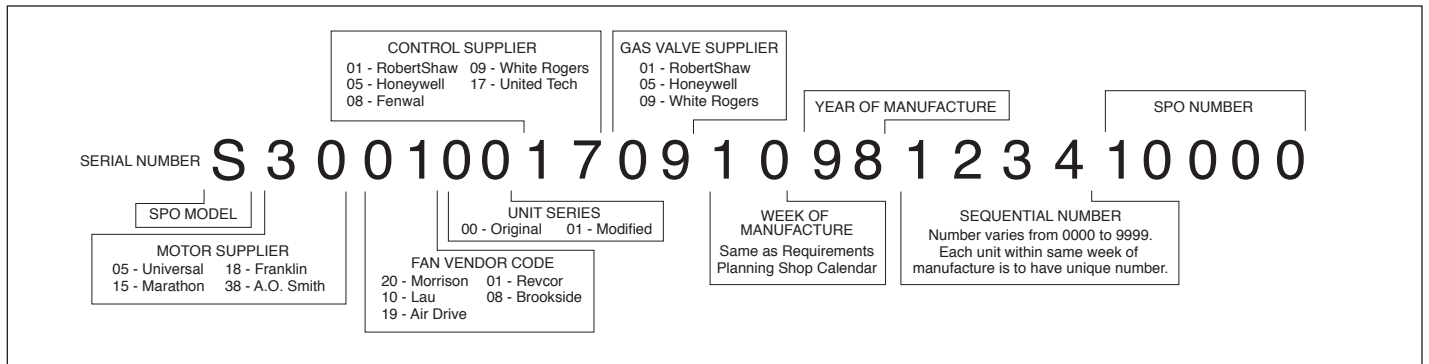


Figure 31.2 - Serial Number Designations (Serial plate located on rear panel)



Replacement Parts

When requesting parts please contact your local representative. Please have full model and serial number available. If you require assistance in locating your representative, please call the number located on the back page.

COMMERCIAL WARRANTY

Seller warrants its products to be free from defects in material and workmanship, EXCLUSIVE, HOWEVER, of failures attributable to the use of materials substituted under emergency conditions for materials normally employed. This warranty covers replacement of any parts furnished from the factory of Seller, but does not cover labor of any kind and materials not furnished by Seller, or any charges for any such labor or materials, whether such labor, materials or charges thereon are due to replacement of parts, adjustments, repairs, or any other work done. This warranty does not apply to any equipment which shall have been repaired or altered outside the factory of Seller in any way so as, in the judgment of Seller, to affect its stability, nor which has been subjected to misuse, negligence, or operating conditions in excess of those for which such equipment was designed. This warranty does not cover the effects of physical or chemical properties of water or steam or other liquids or gases used in the equipment.

BUYER AGREES THAT SELLER'S WARRANTY OF ITS PRODUCTS TO BE FREE FROM DEFECT IN MATERIAL AND WORKMANSHIP, AS LIMITED HEREIN, SHALL BE IN LIEU OF AND EXCLUSIVE OF ALL OTHER WARRANTIES, EITHER EXPRESS OR IMPLIED, WHETHER ARISING FROM LAW, COURSE OF DEALING, USAGE OF TRADE, OR OTHERWISE, THERE ARE NO OTHER WARRANTIES, INCLUDING WARRANTY OF MERCHANTABILITY OR FITNESS FOR PURPOSE, WHICH EXTEND BEYOND THE PRODUCT DESCRIPTION CONFIRMED BY BUYER AND SELLER AS OF THE DATE OF FINAL AGREEMENT.

This warranty is void if the input to the product exceeds the rated input as indicated on the product serial plate by more than 5% on gas-fired and oil-fired units, or if the product in the judgment of SELLER has been installed in a corrosive atmosphere, or subjected to corrosive fluids or gases, been subjected to misuse, negligence, accident, excessive thermal shock, excessive humidity, physical damage, impact, abrasion, unauthorized alterations, or operation contrary to SELLER'S printed instructions, or if the serial number has been altered, defaced or removed.

BUYER AGREES THAT IN NO EVENT WILL SELLER BE LIABLE FOR COSTS OF PROCESSING, LOST PROFITS, INJURY TO GOODWILL, OR ANY OTHER CONSEQUENTIAL OR INCIDENTAL DAMAGES OF ANY KIND RESULTING FROM THE ORDER OR USE OF ITS PRODUCT, WHETHER ARISING FROM BREACH OF WARRANTY, NONCONFORMITY TO ORDERED SPECIFICATIONS, DELAY IN DELIVERY, OR ANY LOSS SUSTAINED BY THE BUYER.

BUYER'S REMEDY FOR BREACH OF WARRANTY, EXCLUSIVE OF ALL OTHER REMEDIES PROVIDED BY LAW, IS LIMITED TO REPAIR OR REPLACEMENT AT THE FACTORY OF SELLER, ANY COMPONENT WHICH SHALL, WITHIN THE APPLICABLE WARRANTY PERIOD DEFINED HEREIN AND UPON PRIOR WRITTEN APPROVAL, BE RETURNED TO SELLER WITH TRANSPORTATION CHARGES PREPAID AND WHICH THE EXAMINATION OF SELLER SHALL DISCLOSE TO HAVE BEEN DEFECTIVE; EXCEPT THAT WHEN THE PRODUCT IS TO BE USED BY BUYER AS A COMPONENT PART OF EQUIPMENT MANUFACTURED BY BUYER, BUYER'S REMEDY FOR BREACH, AS LIMITED HEREIN, SHALL BE LIMITED TO ONE YEAR FROM DATE OF SHIPMENT FROM SELLER. FOR GAS-FIRED PRODUCTS INSTALLED IN HIGH HUMIDITY APPLICATIONS AND UTILIZING STAINLESS STEEL HEAT EXCHANGERS, BUYER'S REMEDY FOR BREACH, AS LIMITED HEREIN, SHALL BE LIMITED TO TEN YEARS FROM DATE OF SHIPMENT FROM SELLER.

These warranties are issued only to the original owner-user and cannot be transferred or assigned. No provision is made in these warranties for any labor allowance or field labor participation. Seller will not honor any expenses incurred in its behalf with regard to repairs to any of Seller's products. No credit shall be issued for any defective part returned without proper written authorization (including, but not limited to, model number, serial number, date of failure, etc.) and freight prepaid.

OPTIONAL SUPPLEMENTAL WARRANTY

Provided a supplemental warranty has been purchased, Seller extends the warranty herein for an additional four (4) years on certain compressors. Provided a supplemental warranty has been purchased, Seller extends the warranty herein for an additional four (4) years or nine (9) years on certain heat exchangers.

EXCLUSION OF CONSUMABLES & CONDITIONS BEYOND SELLER'S CONTROL

This warranty shall not be applicable to any of the following items: refrigerant gas, belts, filters, fuses and other items consumed or worn out by normal wear and tear or conditions beyond Seller's control, including (without limitation as to generality) polluted or contaminated or foreign matter contained in the air or water utilized for heat exchanger (condenser) cooling or if the failure of the part is caused by improper air or water supply, or improper or incorrect sizing of power supply.

Component Applicable Models	"APPLICABLE WARRANTY PERIOD"
<u>Heat Exchangers</u> Gas-Fired Units	TEN YEARS FROM DATE OF FIRST BENEFICIAL USE BY BUYER OR ANY OTHER USER, WITHIN TEN YEARS FROM DATE OF RESALE BY BUYER OR ANY OTHER USER, WITHIN TEN YEARS FROM DATE OF RESALE BY BUYER IN ANY UNCHANGED CONDITION, OR WITHIN ONE HUNDRED TWENTY-SIX MONTHS FROM DATE OF SHIPMENT FROM SELLER, WHICHEVER OCCURS FIRST
<u>Heat Exchangers</u> Low Intensity Infrared Units <u>Compressors</u> Condensing Units for Cassettes	FIVE YEARS FROM DATE OF FIRST BENEFICIAL USE BY BUYER OR ANY OTHER USER, WITHIN FIVE YEARS FROM DATE OF RESALE BY BUYER OR ANY OTHER USER, WITHIN FIVE YEARS FROM DATE OF RESALE BY BUYER IN ANY UNCHANGED CONDITION, OR WITHIN SIXTY-SIX MONTHS FROM DATE OF SHIPMENT FROM SELLER, WHICHEVER OCCURS FIRST
<u>Burners</u> Low Intensity Infrared Units <u>Other</u> Components excluding Heat Exchangers, Coils, Condensers, Burners, Sheet Metal	TWO YEARS FROM DATE OF FIRST BENEFICIAL USE BY BUYER OR ANY OTHER USER, WITHIN TWO YEARS FROM DATE OF RESALE BY BUYER IN ANY UNCHANGED CONDITION, OR WITHIN THIRTY MONTHS FROM DATE OF SHIPMENT FROM SELLER, WHICHEVER OCCURS FIRST
<u>Heat Exchangers/Coils</u> Indoor and Outdoor Duct Furnaces and System Units, Steam/Hot Water Units, Oil-Fired Units, Electric Units, Cassettes, Vertical Unit Ventilators, Geothermal Units <u>Compressors</u> Vertical Unit Ventilators, Geothermal Units <u>Burners</u> High Intensity Infrared Units <u>Sheet Metal Parts</u> All Products	ONE YEAR FROM DATE OF FIRST BENEFICIAL USE BY BUYER OR ANY OTHER USER, WITHIN ONE YEAR FROM DATE OF RESALE BY BUYER IN ANY UNCHANGED CONDITION, OR WITHIN EIGHTEEN MONTHS FROM DATE OF SHIPMENT FROM SELLER, WHICHEVER OCCURS FIRST

As Modine Manufacturing Company has a continuous product improvement program, it reserves the right to change design and specifications without notice.



Modine Manufacturing Company
 1500 DeKoven Avenue
 Racine, WI 53403
 Phone: 1.800.828.4328 (HEAT)
 www.modinevac.com

Comme la Modine Manufacturing Company a un programme d'amélioration permanente de ses produits, elle se réserve le droit de modifier la conception et les caractéristiques techniques sans préavis.

<p>Échangeurs thermiques/serpents Systèmes et chaudières canalisés d'intérieur et d'extérieur, modèles à vapeur/chaude, modèles au mazout, appareils géothermiques</p> <p>Compresseurs Ventilateurs verticaux, appareil géothermiques</p> <p>Brûleurs Modèles infrarouges de haute intensité</p> <p>Pièces en tôle Tous les produits</p>	<p>Autres Composants sauf les échangeurs,thermiques, serpents, condensateurs, brûleurs, tôle</p> <p>Brûleurs Modèles infrarouges de faible intensité</p>
<p>UN AN À PARTIR DE LA DATE DE PREMIER USAGE BÉNÉFICIAIRE PAR L'ACHETEUR OU TOUT AUTRE UTILISATEUR, UN AN À PARTIR DE LA DATE DE REVENTE PAR L'ACHETEUR À L'ÉTAT INCHANGÉ OU DIX-HUIT MOIS À PARTIR DE LA DATE D'EXPÉDITION DE L'USINE DU VENDEUR, SELON LA PREMIÈRE DE CES ÉCHÉANCES.</p>	<p>Compresseurs Modèles infrarouges de faible intensité</p> <p>Échangeurs de chaleur Modèles infrarouges de faible intensité</p>
<p>DEUX ANS À PARTIR DE LA DATE DE PREMIER USAGE BÉNÉFICIAIRE PAR L'ACHETEUR OU TOUT AUTRE UTILISATEUR, DEUX ANS À PARTIR DE LA DATE DE REVENTE PAR L'ACHETEUR À L'ÉTAT INCHANGÉ OU TRENTE MOIS À PARTIR DE LA DATE D'EXPÉDITION DE L'USINE DU VENDEUR, SELON LA PREMIÈRE DE CES ÉCHÉANCES.</p>	<p>Compresseurs Modèles infrarouges de faible intensité</p> <p>Échangeurs de chaleur Modèles infrarouges de faible intensité</p>
<p>CINQ ANS À PARTIR DE LA DATE DE PREMIER USAGE BÉNÉFICIAIRE PAR L'ACHETEUR OU TOUT AUTRE UTILISATEUR, CINQ ANS À PARTIR DE LA DATE DE REVENTE PAR L'ACHETEUR À L'ÉTAT INCHANGÉ OU SIX MOIS À PARTIR DE LA DATE D'EXPÉDITION DE L'USINE DU VENDEUR, SELON LA PREMIÈRE DE CES ÉCHÉANCES.</p>	<p>Échangeurs de chaleur Appareils de chauffage au gaz</p>
<p>DIX ANS À PARTIR DE LA DATE DE PREMIER USAGE BÉNÉFICIAIRE PAR L'ACHETEUR OU TOUT AUTRE UTILISATEUR, DIX ANS À PARTIR DE LA DATE DE REVENTE PAR L'ACHETEUR À L'ÉTAT INCHANGÉ OU CENT-VINGT-SIX MOIS À PARTIR DE LA DATE D'EXPÉDITION DE L'USINE DU VENDEUR, SELON LA PREMIÈRE DE CES ÉCHÉANCES.</p>	<p>Composant Modèles applicables</p>

« PÉRIODE DE GARANTIE APPLICABLE »

Le vendeur garantit ses produits contre tout défaut de matériel ou de fabrication, SAUF si la défaillance est imputable à un remplacement de matériel en cas d'urgence causé par l'indisponibilité du matériel normalement utilisé. Cette garantie couvre le remplacement de matériaux non fournis par le Vendeur, de même que tous les frais pour lesdits main-d'œuvre et matériaux, que cette main-d'œuvre, ces matériaux ou ces frais soient dus au remplacement à aucun équipement qui a été réparé ou altéré en dehors de l'usine du Vendeur de telle manière à compromettre sa stabilité, selon le Vendeur, ou a été soumis à une utilisation abusive, une négligence ou des conditions d'utilisation non conformes à celles pour lesquelles cet équipement a été conçu. Cette garantie ne couvre pas les effets dus aux propriétés physiques ou chimiques de la vapeur, de l'eau ou d'autres liquides ou gaz utilisés dans l'équipement.

L'ACHETEUR RECONNAÎT QUE LA GARANTIE DE VENDREUR À L'ÉGARD DES DÉFAUTS DE FABRICATION OU DE MATIÈRES, AVEC LES LIMITATIONS ÉNONCÉES ICI, TIENT LIEU ET EXCLUT TOUTE AUTRE FORME DE GARANTIE, TANT EXPRESSE QU'IMPLICITE, QUELLE DÉCOULE DE LA LOI, DE RAPPORTS D'AFFAIRES, DES PRATIQUES COMMERCIALES USUELLES OU AUTRES, ET QU'IL NE BÉNÉFICIE PAS D'AUTRES GARANTIES, NOTAMMENT DE QUALITÉ MARCHANDE OU D'APTITUDE À DÉCOULANT DE LA COMMANDE OU DE L'UTILISATION DE SES PRODUITS, QUI SONT CONFORMES AUX SPÉCIFICATIONS DE COMMANDE, DE RETARDS DE LIVRAISON OU DE TOUTE AUTRE PERTE SUBIE PAR L'ACHETEUR.

L'ACHETEUR CONVIENT QU'EN AUCUN CAS LE VENDEUR NE SERA RESPONSABLE DES COÛTS DE TRAITEMENT, DES PERTES DE REVENUS, DES PERTES D'ACHALANDAGE, OU AUTRES DOMMAGES INDIRECTS OU CONSÉCUTIFS.

Cette garantie est nulle et non avenue si l'installation du produit dépasse l'installation nominale indiquée sur la plaque de série du produit de plus de 5 % pour les modèles au gaz et au mazout, ou si, selon le VENDEUR, le produit a été installé dans une atmosphère corrosive ou a été soumis à des fluides ou gaz corrosifs, soumis à des conditions telles que utilisation abusive, imprécision, altérations non autorisées ou utilisation contraire aux instructions imprimées du VENDEUR, ou si le numéro de série a été altéré, rendu invisible ou retiré.

L'ACHETEUR CONVIENT QU'EN AUCUN CAS LE VENDEUR NE SERA RESPONSABLE DES COÛTS DE TRAITEMENT, DES PERTES DE REVENUS, DES PERTES D'ACHALANDAGE, OU AUTRES DOMMAGES INDIRECTS OU CONSÉCUTIFS.

DÉCOULANT DE LA COMMANDE OU DE L'UTILISATION DE SES PRODUITS, QUI SONT CONFORMES AUX SPÉCIFICATIONS DE COMMANDE, DE RETARDS DE LIVRAISON OU DE TOUTE AUTRE PERTE SUBIE PAR L'ACHETEUR.

GARANTIE COMMERCIALE

LE RECOURS DE L'ACHETEUR EN CAS DE DÉFAILLANCE SOUS GARANTIE, À LA RÉPARATION OU AU REMPLACEMENT DANS UN ÉTABLISSEMENT DU VENDEUR DE TOUT COMPOSANT QUI, AU COURS DE LA PÉRIODE DE GARANTIE APPLICABLE DÉFINIE EN CECI ET AVEC AUTORISATION ÉCRITE PRÉALABLE, SERA RETOURNÉ EN PORT PAYÉ AU VENDEUR, DANS LA MESURE OÙ L'INSPECTION FAITE PAR LE VENDEUR PERMET DE CONCLURE QUE LE DIT PRODUIT EST DÉFECTUEUX, SAUF SI LE PRODUIT EST DESTINÉ À ÊTRE INCORPORÉ PAR L'ACHETEUR DANS UN COMPOSANT DE L'ÉQUIPEMENT FABRIQUÉ PAR LUI, AUCUN CAS, LA DURÉE DE L'OBLIGATION DU VENDEUR, AVEC LES LIMITATIONS ÉNONCÉES CI-DESSUS, SERA LIMITÉE À UN AN À PARTIR DE LA DATE D'EXPÉDITION PAR LE VENDEUR, POUR LES PRODUITS AU GAZ INSTALLÉS DANS UNE FORTE HUMIDITÉ, LES APPLICATIONS ET UTILISATEURS THÉRMiques EN INOX, LE RECOURS DE L'ACHETEUR EN CAS DE VIOLATION DE GARANTIE, TEL QUE LA LIMITE EN CECI, SERA LIMITÉE À DIX ANS À PARTIR DE LA DATE D'EXPÉDITION DE L'USINE DU VENDEUR.

Ces garanties sont données uniquement au propriétaire-utilisateur initial et ne sont pas cessibles ou assignables. Aucune disposition n'est prévue dans ces garanties pour la main-d'œuvre ou la participation de main-d'œuvre sur site. Le Vendeur ne remboursera pas les frais encourus en son nom pour des réparations effectuées sur l'un de ses produits, quel qu'il soit. Aucun crédit ne sera fait pour toute pièce défectueuse retournée sans autorisation écrite (y compris, mais sans s'y limiter, numéro de modèle, numéro de série, date de la panne, etc.) et sans port prépayé.

GARANTIE SUPPLÉMENTAIRE EN OPTION
 Sous réserve de l'achat d'une garantie supplémentaire, le vendeur prolonge la garantie fournie en ceci de quatre (4) années supplémentaires pour certains compresseurs. Sous réserve de l'achat d'une garantie supplémentaire, le vendeur étend la garantie en ceci à quatre (4) (no neuf) (6) années supplémentaires sur certains échangeurs thermiques.

EXCLUSION DE CONSOMMABLES ET CONDITIONS AU-DELÀ DU CONTRÔLE DU VENDEUR
 Cette garantie ne s'applique pas aux articles suivants : gaz frigorigènes, courroies, filtres, fusibles et autres articles consommés ou normalement usés ou conditions au-delà du contrôle du Vendeur, y compris (sans limitation) quant à sa généralité) corps étranger, pollution ou contamination dans l'air ou l'eau utilisés pour le refroidissement de l'échangeur thermique (condenseurs) ou si la panne de la pièce est causée par une alimentation en air ou en eau inadéquate ou un tuyau d'alimentation de taille inadéquate ou incorrect.

NUMÉRO DE SÉRIE ET DE MODÈLE ET PIÈCES DE RECHANGE

Figure 31.1 - Composition du numéro de modèle (ouvrir le panneau d'accès)

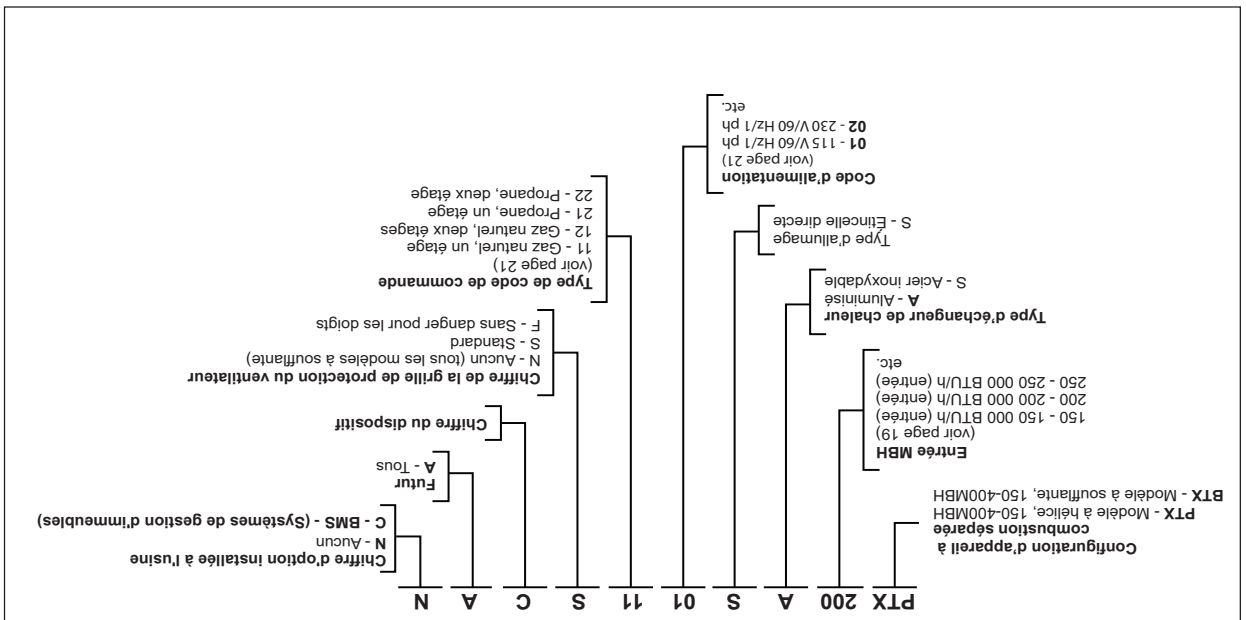
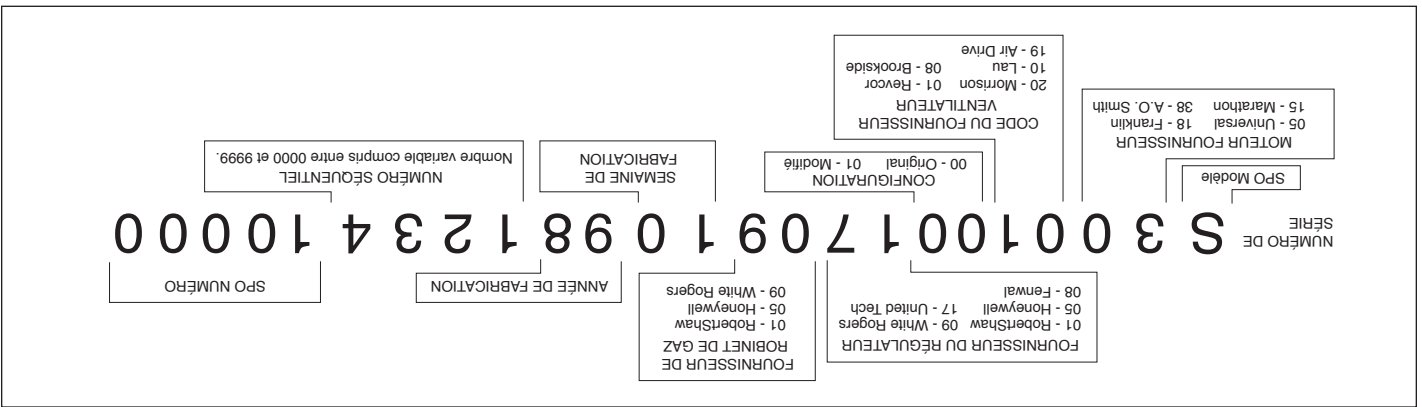


Figure 31.2 - Composition du numéro de série (retirez le panneau d'accès)



Pièces de rechange

Pour commander des pièces, adressez-vous à votre représentant local. Vous aurez besoin du numéro de modèle complet et du numéro de série. Si vous avez besoin d'aide pour localiser votre représentant, appelez au numéro qui figure sur la dernière page du manuel.

AVERTISSEMENT

Pour l'entretien et les réparations de cet appareil, utilisez uniquement des pièces d'origine certifiées. Pour la liste complète des pièces de rechange, adressez-vous au fabricant. Le numéro de modèle complet, le numéro de série et l'adresse du fabricant figurent sur la plaque signalétique fixée à l'appareil. Toute substitution de pièce ou de commande non approuvée par le fabricant sera aux risques du propriétaire.

ATTENTION

1. L'entretien et les réparations de l'appareil doivent être confiés à un centre de SAV qualifié.

2. Ne tentez pas de réutiliser un contrôleur mécanique ou électronique qui a été mouillé. Remplacez tout contrôleur défectueux.

IMPORTANT

Pour essayer la plupart des Solutions possibles suggérées dans le guide de dépannage du tableau 30.1, reportez-vous aux sections correspondantes du manuel.

REMARQUE : Pour essayer la plupart des Solutions possibles suggérées dans le tableau de dépannage 30.1, reportez-vous aux sections correspondantes du manuel.

Maintenance générale

L'appareil et le système d'évacuation des gaz doivent être vérifiés une fois par an par un technicien d'entretien qualifié.

Toutes les opérations d'installation et d'entretien doivent être confiées à une entreprise qualifiée.

Avant toute intervention d'entretien, assurez-vous de fermer le robinet d'arrêt manuel, SITUÉ EN AMONT DU RÉGULATEUR DE GAZ COMBINÉ, ET COUPEZ L'ALIMENTATION ÉLECTRIQUE DE L'APPAREIL.

Tableau 30.1 - Dépannage

SYMPTÔMES	CAUSE POSSIBLE	SOLUTION POSSIBLE
L'appareil ne fait rien	1. Pas d'alimentation électrique 2. Pas de courant 24 V au thermostat 3. Thermostat défectueux 4. La diode clignote 5. Fusible grillé sur la carte contrôleur 6. Contrôleur défectueux	1. Mettez l'alimentation principale sous tension 2. a. Vérifiez le transformateur de commande b. Si le transistor est grillé - vérifiez le calibre et la longueur des fils du thermostat 3. a. Vérifiez les connexions des bornes R et W seulement b. Vérifiez / remplacez le thermostat 4. Vérifiez le code de clignotement de la diode 5. Remplacez le fusible 6. Remplacez le contrôleur
DEL éteinte ou clignotante	1. Fusible grillé sur la carte contrôleur 2. Causes multiples	1. Remplacez le fusible 2. Code de clignotement DEL de la carte contrôleur varie avec le type de contrôleur. Un décalque est installé sur l'appareil avec la description des codes applicables pour l'appareil de chauffage. Pour plus de détails, consultez la fiche technique de la carte contrôleur, qui est fournie avec ce manuel.
L'appareil démarre mais le gaz ne s'allume pas	1. Gaz principal fermé 2. Poches d'air dans le tuyau 3. Pression conduite principale ou collecteur 4. Vérifiez le robinet d'arrêt manuel.	1. Ouvrez le robinet d'arrêt manuel. 2. Purgez le tuyau de gaz. 3. Réglez les pressions de gaz selon les instructions du manuel. 4. Ouvrez le robinet d'arrêt de gaz.
Le cycle d'allumage se déroule normalement mais les brûleurs s'éteignent en moins de 10 secondes	1. Branchement du secteur électrique inversé 2. L'appareil n'est pas à la terre 3. Flamme non détectée	1. Fil noir = PHASE, fil blanc = NEUTRE, fil vert = TERRE 2. Révitez la mise à la terre et mesurez sa résistance. 3. Vérifiez la sonde et les connexions du détecteur.
Ventilateur de circulation d'air défectueux	1. Connexions mal serrées 2. Carte contrôleur défectueuse 3. Moteur soufflante défectueux	1. Vérifiez toutes les connexions 2. Vérifiez la feuille technique de la carte contrôleur et son fonctionnement 3. Vérifiez le moteur soufflante

1. Entretien annuel des composants de transport de l'air.
 - a. Vérifiez que l'hélice du ventilateur est bien fixée sur l'arbre du moteur et que ses pales ne sont pas endommagées.
 2. L'appareil doit être nettoyé de toute accumulation de poussière, saleté, graisse et matières étrangères, avec une attention particulière portée aux éléments suivants :
 - a. Entrez d'air de combustion.
 - b. Brûleurs et leurs orifices calibrés. Fermez le gaz en amont du régulateur combiné et coupez l'alimentation électrique de l'appareil. Retirez le panneau d'accès, ouvrez le raccord union de la conduite de gaz et déconnectez les fils de l'allumeur et du détecteur. Enlevez les vis qui retiennent le plateau des brûleurs sur la plaque de tête et sortez le plateau des brûleurs et l'ensemble collecteur. Nettoyez soigneusement les brûleurs avec une brosse métallique ou un moyen similaire. Remplacez tout brûleur ou orifice calibré endommagé ou présentant des signes de détérioration. Réinstallez l'ensemble de brûleurs sur la plaque de tête en vous assurant de bien serrer les vis, les raccords et les connexions électriques.

ATTENTION : Manipulez l'allumeur et le détecteur de flamme avec précaution.

3. Inspectez le détecteur de flamme et l'allumeur en recherchant les détériorations et les fissures.

4. Vérifiez que les brûleurs se touchent aux points de transmission. Ces points assurent la transmission de la flamme d'un brûleur à l'autre.
 - a. Nettoyez l'extérieur des tubes de l'échangeur.
 - b. Pales du ventilateur.

5. Assurez-vous qu'il n'y a pas de connexions desserrées.

6. La propreté générale et l'étanchéité des robinets et des tuyauteries de gaz doivent être vérifiées chaque année. Les commandes de gaz doivent être vérifiées afin de s'assurer que l'appareil fonctionne bien. Lisez les instructions d'entretien séparées, fournies avec l'appareil.

7. Les roulements du moteur d'extraction sont lubrifiés à vie et ne nécessitent aucun graissage supplémentaire. Si l'atmosphère est poussiéreuse, il faudra peut-être nettoyer l'intérieur des moteurs et les carters de soufflerie en dirigeant un jet d'air comprimé dans les passages de refroidissement du moteur.
8. Les filtres à toile métallique d'entrée et de sortie doivent être périodiquement nettoyés.

DIMENSIONS - MODÈLE BTX

Modèles à soufflante - Modèle BTX

Figure 29.1 - Plans cotés

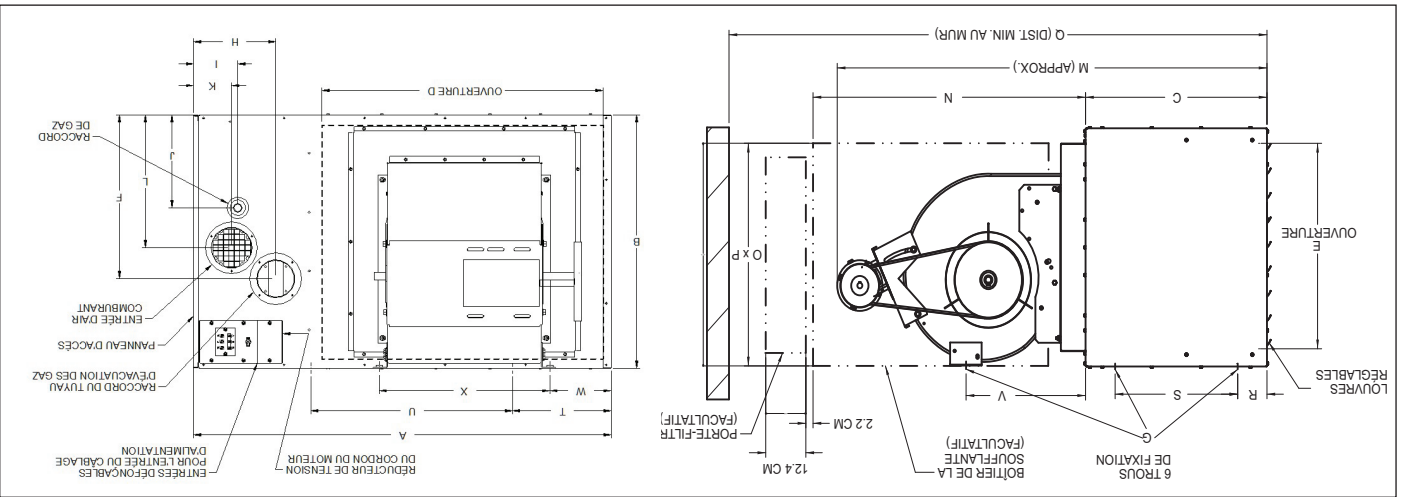


Tableau 29.1 - dimensions (pouces) - BTX

Modèles	BTX150	BTX175	BTX200	BTX250	BTX300	BTX350	BTX400
A	35,53	42,53	42,53	42,53	42,53	42,53	42,53
B	23,06	25,81	25,81	31,31	31,31	31,31	39,56
C	22,05	22,05	22,05	22,05	22,05	22,05	22,05
D	22,52	29,52	29,52	29,52	29,52	29,52	29,52
E	21,18	23,93	23,93	24,46	24,46	32,17	37,17
F	15,33	16,70	16,70	19,45	19,45	23,58	23,58
G (trou de montage) ①	3/8-16	3/8-16	3/8-16	3/8-16	3/8-16	3/8-16	3/8-16
H	8,37	8,37	8,37	8,37	8,37	8,37	8,37
I	4,50	4,50	4,50	4,50	4,50	4,50	4,50
J	8,09	9,47	9,47	6,72	6,72	10,84	10,84
K	3,87	3,87	3,87	5,20	5,20	5,20	5,20
L	12,17	13,55	13,55	12,66	12,66	16,78	16,78
M ②	52,25	52,19	52,19	58,88	58,88	58,88	58,88
N	33,18	33,90	33,90	39,88	39,88	39,88	39,88
O	23,90	24,13	24,13	27,04	27,04	28,57	28,57
P	24,77	24,52	24,52	27,19	27,19	28,28	28,28
Q (avec boîtier de souffl. et porte-filtre)	73,04	73,70	73,70	79,68	79,68	79,68	79,68
Q (sans boîtier de souffl. et porte-filtre)	64,25	64,19	64,19	70,88	70,88	70,88	70,88
R	3,56	3,56	3,56	3,56	3,56	3,56	3,56
S	14,90	14,90	14,90	14,90	14,90	14,90	14,90
T	10	10	10	10	10	10	10
U	13,54	20,53	20,53	20,53	20,53	20,53	20,53
V	14,52	14,52	14,52	18,04	18,04	18	18
W	3,27	7,15	7,15	4,77	4,77	5,24	5,24
X	17,38	17,38	17,38	17,38	20,38	20,38	20,38
Raccordement de gaz	1/2	1/2	1/2	3/4	3/4	3/4	3/4
Taille de connecteur d'air de combustion et d'évacuation des gaz	4 po	4 po	4 po	4 po	6 po	6 po	6 po
Soufflante	12-12	12-12	12-12	15-15	15-15	15-15	15-15
Poids d'expédition approximatif (lb)	220	275	280	340	345	395	405

① Le diamètre de trou et les filets par pouce pour accepter la tige filetée sont indiqués.

② Dimension approximative pour tous les moteurs de série; comptez 7,5 cm pour les moteurs à roue à gorge et en option.

DONNÉES DE PERFORMANCE GÉNÉRALE – MODÈLES PTX ET BTX

Tableau 26.1 - Données de performance générale du modèle PTX à soufflante

Tailles de modèle PTX							
	150	175	200	250	300	350	400
Apport calorifique BTU/h ①	150 000	175 000	200 000	250 000	300 000	350 000	400 000
Chaleur produite BTU/h ①	123 000	143 500	166 000 ②	207 500 ③	249 000 ④	290 500 ⑤	332 000
Efficacité	82%	82%	83% ⑥	83% ⑥	83% ⑥	83% ⑥	83%
Air entrant (pi ³ /min) à 70 °F	2140	2725	2870	3995	4545	5280	5995
Vitesse de sortie (pi/min)	711	607	643	721	824	748	851
Augmentation temp. air (°F)	53	48	52	47	50	50	51
Hauteur max. de montage (pi) ⑦	15	14	15	18	19	18	21
Portée thermique (pi) à haut. ⑧	51	50	53	62	69	65	74
Type de moteur ⑨	PSC	PSC	PSC	PSC	PSC	PSC	PSC
Puissance moteur	1/6	1/6	1/3	1/3	1/2	1/2	3/4
Régime moteur (tr/min)	1075	1075	1075	1075	1075	1125	1125

Tableau 26.2 - Données de performance générale du modèle BTX à soufflante

Tailles de modèle BTX							
	150	175	200	250	300	350	400
Apport calorifique BTU/h ①	150 000	175 000	200 000	250 000	300 000	350 000	400 000
Chaleur produite BTU/h ①	123 000	143 500	164 000	205 000	246 000	287 000	328 000
Efficacité	82%	82%	82%	82%	82%	82%	82%
Air entrant (CFM)	1587-2778	1852-3241	2116-3704	2646-4630	3175-5556	3704-6481	4233-7407
Vitesse de sortie (pi/min)	543-903	428-711	489-813	497-826	596-991	543-903	621-1032
Augmentation temp. air (°F)	40-70	40-70	40-70	40-70	40-70	40-70	40-70
Hauteur max. de montage (pi) ②	9-21	8-18	9-21	10-22	11-26	11-26	13-29
Portée thermique (pi) à haut. ③	33-75	28-65	32-74	34-78	40-94	39-90	44-102
Type de moteur ④	T.E.	T.E.	T.E.	T.E.	T.E.	T.E.	T.E.
Puissance moteur	Voir Tableau 21.1						
Régime moteur (tr/min)	1725	1725	1725	1725	1725	1725	1725

① Les valeurs nominales indiquées correspondent à une altitude de 609 m maximum. Au-delà, elles doivent être réduites de 4 % tous les 300 m au-dessus du niveau de la mer. (Au Canada, consultez la plaque signalétique.) La réduction des valeurs nominales exige l'utilisation d'un ensemble pour haute altitude.

② Données relevées à une hausse de température de l'air de 12 °C. À une température ambiante de 18 °C, avec l'appareil à entrée nominale maximum. Hauteur de montage mesurée du bas de l'appareil et sans hottes de déflection. Pour les appareils équipés de hottes de déflection, voir page 27.

③ Tous les moteurs utilisés sont produits, mesurés et testés par des fabricants renommés, conformément aux normes NEMA et ils sont assortis de la garantie standard du fabricant du moteur et de Modine. Tous les moteurs sont des moteurs monophasés totalement enfermés avec protection anti-surchauffe intégrée.

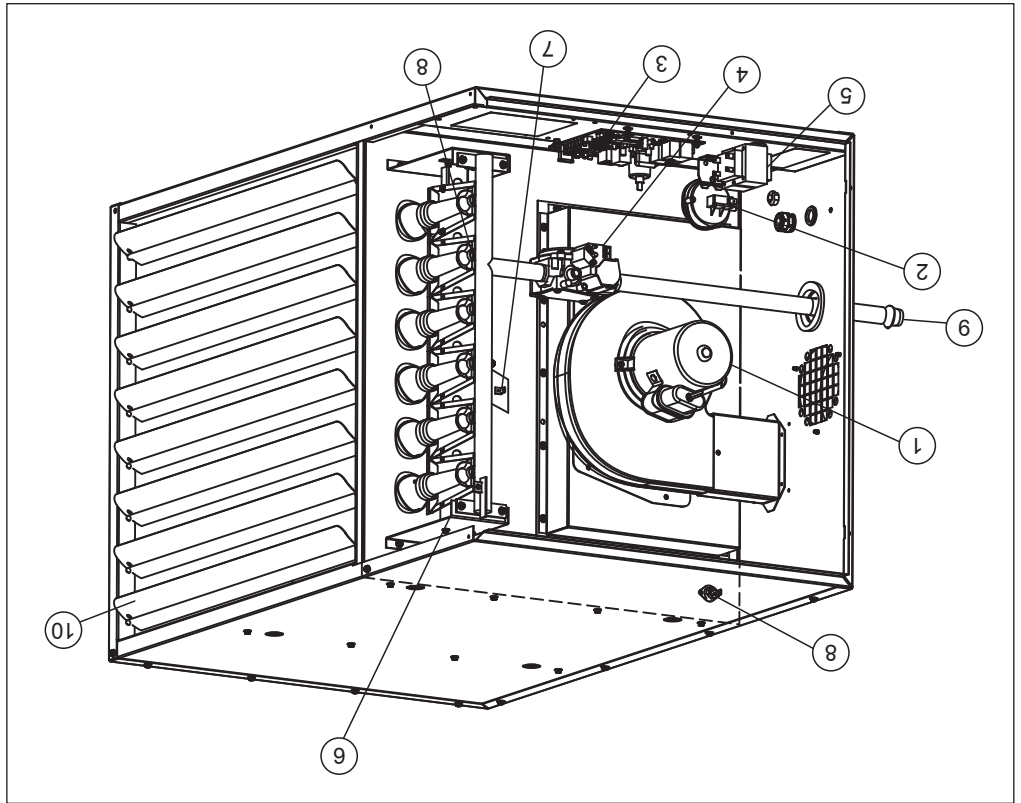
④ Pour les tailles de modèle 200,250,300 et 350, l'efficacité est de 83% pour 1 installation ventilée de tuyaux et de 82% pour 2 installations de combustion séparées par tuyaux. La sortie Bl/Hu indiquée est pour 1 installation ventilée de tuyaux, la sortie Bl/h correspondante pour 2 installations de combustion séparées par tuyaux est inférieure de 1 point de pourcentage.

SEQUENCE FONCTIONNELLE DE SYSTEME DE COMMANDE

SEQUENCE FONCTIONNELLE DE SYSTEME DE COMMANDE

Lorsque le thermostat détecte une demande de chaleur, le moteur de la soufflante d'extraction démarre. L'appareil effectue un cycle de purge avant que l'allumeur direct par étincelle soit mis sous tension. En même temps, la soupape principale du régulateur combiné s'ouvre pour laisser le gaz passer vers les brûleurs. Si le moteur du ventilateur ne tourne pas encore, il démarra peu après. Si une flamme n'est pas détectée dans les 7 secondes qui suivent pour une raison quelconque, le robinet principal se fermera et il y aura une courte période de purge avant toute nouvelle tentative d'allumage. Si une flamme n'est pas détectée après quatre tentatives, il s'écoule au moins une heure avant une nouvelle tentative d'allumage.

Figure 25.1 - Principaux composants des circuits de gaz, électriques, de sécurité et autres



1. Extracteur
2. Pressostat
3. Tableau de commande à allumage direct par étincelle intégré
4. Commande de gaz mixte
5. Transformateur du contrôleur
6. Détecteur de flamme (caché)
7. Allumeur direct à étincelles (caché)
8. Limiteur à réarmement automatique (caché)
9. Tuyau de raccordement au gaz
10. Lames de déflecteur d'air horizontales

Tableau 25.1 - Options de contrôle

Description des commandes		Code de commande	Tension de service	Tension thermostat	Type de gaz
Allumage direct par étincelle, monoétage, arrêt à 100 % avec réessai continu Utilise une commande à gaz combiné monoétagée avec commande d'allumage.	Le gaz s'allume par allumeur direct par étincelle sur appel de chaleur.	21	115V	24V	propane
		11	115V	24V	gaz nat.
Allumage direct par étincelle à deux étages, arrêt à 100 % avec réessai continu Utilise une commande à gaz combinée à deux étages avec commande d'allumage intégrée.	L'allumage est à 100 % d'entrée à plein calibre. Le gaz s'allume par allumeur direct par étincelle sur appel de chaleur.	12	115V	24V	gaz nat.
		22	115V	24V	propane

1. Pour éviter une défaillance prématurée de l'échangeur de chaleur, observez les tubes de l'échangeur. S'ils deviennent rouges pendant que la soufflante et l'appareil de chauffage fonctionnent, assurez-vous que la soufflante a été réglée au régime correct pour l'application. Pour le réglage de la soufflante, reportez-vous à la page 20.
2. Les procédures de démarrage et de réglage doivent être confiées à un centre de SAV qualifié.

IMPORTANT

Bien que l'appareil ait été assemblé et testé à chaud en usine, il est recommandé d'effectuer les vérifications préopératoires suivantes pour vous assurer que tout fonctionnement normal est après l'installation.

1. Isoler l'appareil de toute alimentation électrique en ouvrant le sectionneur. Vérifiez que les disjoncteurs ou les fusibles sont en place et d'un calibre approprié. Fermez tous les robinets d'arrêt de gaz.
2. Ouvrez le panneau d'accès aux commandes sur le côté de l'appareil.
3. Vérifiez que la tension du secteur correspond à la tension nominale de l'appareil inscrite sur la plaque signalétique. Assurez-vous que tous les câblages sont bien fixés et convenablement protégés. Suivez chaque circuit pour vous assurer qu'il est conforme au schéma de câblage. Si l'appareil est installé à plus de 2000 pieds et que l'ensemble pour haute altitude inclut un interrupteur de contrôle d'air de combustion, remplacez l'interrupteur de l'appareil par celui fourni dans l'ensemble. Assurez-vous que le tube et les branchements électriques sont solidement fixés.
4. Vérifiez que le système d'évacuation des gaz est correctement installé et n'est pas obstrué. Avant de commencer, suivez les étapes suivantes afin de vous assurer que le système d'évacuation est correctement dimensionné :

- a. Obtenez toutes les ouvertures inutilisées du système d'évacuation.
- b. Inspectez le système d'évacuation pour vérifier que les diamètres et la pente des tuyaux sont conformes aux normes ANSI Z223.1 (NFPA 54) ou au Code d'installation CSA B149.1, dernière édition, et aux présentes instructions. Déterminez s'il n'y a pas d'obstructions, de restriction, de fuite, de corrosion ou d'autres défauts pouvant créer un risque.
- c. Dans la mesure du possible, fermez toutes les portes et fenêtres du bâtiment, ainsi que les portes de communication entre les espaces dans lesquels se trouvent le no les appareils reliés au système d'évacuation, et les autres zones du bâtiment. Mettez en marche au régime maximum les échangeurs de linge et tous les ventilateurs, comme les hottes aspirantes, les ventilateurs de salle de bains, etc. Ne faites pas fonctionner la ventilation d'été. Fermez les registres des foyers.
- d. Suivez les instructions d'allumage. Faites fonctionner l'appareil à inspecter. Réglez le thermostat de manière que l'appareil chauffe en continu.
- e. Après avoir déterminé que chaque appareil relié au système d'évacuation fonctionne correctement dans les conditions décrites ci-dessus, remettez les portes et les fenêtres, les ventilateurs, les registres de cheminée et tout autre appareil au gaz dans leurs états antérieurs.
- f. Si les essais révèlent un mauvais fonctionnement du système d'évacuation, il faut prendre les mesures correctives nécessaires.

5. Vérifiez qu'il n'y a pas d'obstacles devant la prise d'air et la sortie d'air chaud.
6. Vérifiez que le ventilateur est libre. Le ventilateur doit tourner librement à la main sans rien toucher.
7. Vérifiez que tous les filtres sont en place et correctement installés en respectant la direction de l'air (s'il y a lieu).
8. Effectuez une inspection visuelle de l'appareil et assurez-vous qu'il n'a pas été endommagé au cours de l'installation. Assurez-vous que toutes les attaches sont en place et que les orifices du brûleur sont correctement alignés sur les tubes de l'échangeur de chaleur et que les orifices à gaz sont centrés sur l'ouverture du tube inspirateur du brûleur.
9. Assurez-vous que les lames des persiennes sont ouvertes d'au moins 30° mesurés par rapport à la verticale.

Pour régler la pression du collecteur de gaz

1. Tournez le robinet d'arrêt manuel installé sur site sur Arrêt.
2. Retirez le bouchon du raccord 1/8 po pour brancher un manomètre à tube en U dont les branches ont une hauteur d'au moins 30 cm (12 po).
3. Tournez le robinet d'arrêt de gaz manuel installé sur site sur position Marche.
4. Créez un appel thermique pour feu élevé à partir du thermostat.
5. Consultez le tableau 15.1 pour déterminer la pression nominale au collecteur principal pour le type d'appareil. Les pressions entre 0 et 2000 le propane; à plus de 2000 pi, reportez-vous aux instructions de raccorderment au gaz – Ensemble d'accessoires pour haute altitude à la page 16. Réglez le ressort du régulateur principal pour qu'il délivre le gaz à la pression correcte (pour savoir comment régler, consultez le manuel du régulateur fourni avec l'appareil).
6. Après ce réglage, fermez le robinet d'arrêt manuel et revissez le bouchon du raccord de 1/8 po.
7. Ensuite, rouvrez le robinet d'arrêt manuel installé sur site et assurez-vous à nouveau que les bouchons du tuyau ne fuient pas avec de l'eau savonneuse.

Réglage du brûleur principal

12. Vérifiez que le moteur de la soufflante tourne dans le bon sens en comparant avec la flèche marquée sur le corps (s'il y a lieu). Vérifiez bien le sens de rotation, pas seulement le mouvement de l'air car, même à l'envers, l'hélice déplace de l'air.
13. Pour les appareils à circulation forcée, vérifiez la vitesse de la soufflante (tr/min). Voir les instructions de réglage de la soufflante pour toute modification.
14. Vérifiez le régime moteur (tr/min).
15. Vérifiez la tension du moteur.
16. Mesurez le courant d'appel du moteur et comparez-le à l'intensité nominale de la plaque signalétique.
17. Révérifiez la pression d'arrivée de gaz au niveau du robinet d'arrêt manuel installé sur site. La pression d'entrée de l'appareil doit être de 6 po C.E. pour le gaz naturel ou de 11 po C.E. pour le propane. La pression maximum d'arrivée pour l'un ou l'autre gaz est de 14 po C.E. Si la pression d'arrivée dépasse cette valeur, il faudra ajouter un détendeur en amont du robinet de gaz mixte.
18. Ouvrez le robinet d'arrêt de gaz manuel installé sur site.
19. Tournez le robinet manuel du régulateur combiné à la position « ON ».
20. Assurez-vous que la vanne générale de gaz s'ouvre. Vérifiez la pression au collecteur de gaz (voir Réglage principal du gaz) avec la soufflante en marche.
21. Assurez-vous que les commandes de gaz s'activent dans l'ordre (voir « Séquence de fonctionnement des commandes »). Si vous n'êtes pas familier avec ces commandes (régulateur de gaz combiné), lisez la documentation du fabricant du système de régulation, qui est livrée avec l'appareil.
22. Quand vous êtes assuré que l'appareil fonctionne normalement, retirez tous les fils volants utilisés pour les essais.
23. Remettez en place le panneau d'accès aux commandes sur le côté de l'appareil.
24. Si l'appareil est installé à plus de 2000 pieds, collez l'étiquette incluse dans l'ensemble pour haute altitude et remplissez tous les champs au feutre indélébile.

Pour régler la pression du collecteur de gaz

1. Tournez le robinet d'arrêt manuel installé sur site sur Arrêt.
2. Retirez le bouchon du raccord 1/8 po pour brancher un manomètre à tube en U dont les branches ont une hauteur d'au moins 30 cm (12 po).
3. Tournez le robinet d'arrêt de gaz manuel installé sur site sur position Marche.
4. Créez un appel thermique pour feu élevé à partir du thermostat.
5. Consultez le tableau 15.1 pour déterminer la pression nominale au collecteur principal pour le type d'appareil. Les pressions entre 0 et 2000 le propane; à plus de 2000 pi, reportez-vous aux instructions de raccorderment au gaz – Ensemble d'accessoires pour haute altitude à la page 16. Réglez le ressort du régulateur principal pour qu'il délivre le gaz à la pression correcte (pour savoir comment régler, consultez le manuel du régulateur fourni avec l'appareil).
6. Après ce réglage, fermez le robinet d'arrêt manuel et revissez le bouchon du raccord de 1/8 po.
7. Ensuite, rouvrez le robinet d'arrêt manuel installé sur site et assurez-vous à nouveau que les bouchons du tuyau ne fuient pas avec de l'eau savonneuse.

DONNÉES DE PERFORMANCE DE LA SOUFFLANTE – MODÈLE BTX

Tableau 23.1 - Modèle à soufflante BTX 250-400 (hausse de température de 15 à 21 °C pour la taille 250) ① ② ③

Table de modèle	ATR	CFM	HP	Régime (tr/min)	Entraine-ment (Tours)	0		0,1		0,2		0,3		0,4		0,5		0,6		0,7																																																																																																																																																																																																																														
						HT	HT	HT	HT	HT	HT	HT	HT	HT	HT	HT	HT	HT	HT	HT	HT	HT	HT	HT																																																																																																																																																																																																																										
250	60	3088	1-1/2	204	4	440	204	4	204	3	440	204	3	440	204	3	440	204	3	440	204	3																																																																																																																																																																																																																												
																							65	2849	1-1/2	204	4,5	302	204	4,5	302	3	302	204	3,5	302	204	3	302	204	3,5	302	204	3																																																																																																																																																																																																						
																																													70	2646	1-1/2	204	5	308	204	5	308	4	308	204	4,5	308	204	4	308	204	4,5	308	204	4																																																																																																																																																																																
																																																																			40	5566	3	650	112	673	112	2,5	673	2	673	112	2,5	673	112	2,5	673	112	2,5	673	112	2,5																																																																																																																																																										
																																																																																									45	4938	3	578	112	604	112	4,5	604	3	604	112	4,5	604	112	4,5	604	112	4,5	604	112	4,5																																																																																																																																				
																																																																																																															50	4444	1-1/2	520	243	549	243	1,5	549	2	549	243	1,5	549	243	1,5	549	243	1,5	549	243	1,5																																																																																																														
																																																																																																																																					55	4040	1-1/2	473	243	505	243	3	505	3	505	243	3	505	243	3	505	243	3	505	243	3																																																																																								
																																																																																																																																																											60	3704	1-1/2	433	243	468	243	4,5	468	4	468	243	4,5	468	243	4,5	468	243	4,5	468	243	4,5																																																																		
																																																																																																																																																																																	65	3419	1-1/2	400	243	438	243	5	438	5	438	243	5	438	243	5	438	243	5	438	243	5																																												
																																																																																																																																																																																																							70	3175	1-1/2	371	240	412	240	5	412	4	412	240	5	412	240	5	412	240	5	412	240	5																						
																																																																																																																																																																																																																													300	60	3704	1-1/2	433	506	243	3	506	3	506	243	3	506	243	3	506	243	3	506	243	3
70	3175	1-1/2	371	240	456	240	2,5	456	2	456	240	2,5	456	240	2,5	456	240	2,5	456	240	2,5																																																																																																																																																																																																																													
																						350	60	4321	1-1/2	484	512	250	2,5	512	2	512	250	2,5	512	250	2,5	512	250	2,5	512	250	2,5																																																																																																																																																																																																							
																																												65	3989	1-1/2	448	478	511	247	4	511	4	511	247	4	511	247	4	511	247	4	511	247	4																																																																																																																																																																																	
																																																																		70	3704	1-1/2	416	449	485	247	5	485	5	485	247	5	485	247	5	485	247	5	485	247	5																																																																																																																																																											
																																																																																								400	60	4938	1-1/2	562	576	247	4,5	576	3	576	247	4,5	576	247	4,5	576	247	4,5	576	247	4,5																																																																																																																																					
																																																																																																														65	4558	1-1/2	510	536	566	247	5	566	5	566	247	5	566	247	5	566	247	5	566	247	5																																																																																																															
																																																																																																																																				70	4233	1-1/2	475	503	534	247	3,5	534	3	534	247	3,5	534	247	3,5	534	247	3,5	534	247	3,5																																																																																									

Tableau 23.2 - Autres entraînements pour moteurs 208-230/460 V, 3 ph, 1 HP

Modèle	Entraine-ment 1 HP pour 230/460 V	HT
BTX300	240	257
BTX350	247	248
BTX400	252	180

Tableau 23.3 - Autres entraînements pour moteurs 208-230/460 V, 3 ph, 1-1/2 HP

Modèle	Entraine-ment 1-1/2 HP pour 230/460 V	HT
BTX300	243	244
BTX350	247	248
BTX400	252	180

Tableau 23.4 - Autres entraînements pour moteurs 575 V

Modèle	Entraine-ment moins de 575 V pour 575 V	HT
BTX300	240	257
BTX350	247	248
BTX400	252	180

① Les sorties correspondent à une altitude de 609 m maximum. Au-delà, la sortie doit être réduite de 4 % tous les 300 m au-dessus du niveau de la mer. (Ne s'applique pas au Canada – voir la plaque signalétique.)

② Les régimes d'ouverture de la roue à gorge sont approximatifs. Pour un fonctionnement correct, vérifiez le régime de la soufflante.

③ Pour les sections 230/460 V (1 HP et 1-1/2 HP) ou 575 V, voir dans les tableaux 23.2, 3 et 4 le numéro d'entraînement corrigé.

DONNÉES DE PERFORMANCE DE LA SOUFFLANTE – MODÈLE BTX

Tableau 21.1 - Description du code d'alimentation - Modèle à soufflante BTX - ①

Code d'alimentation	Tension	Phase	HP	Entraine-ment	BTX150	BTX175	BTX200	BTX250	BTX300	BTX350	BTX400	
01	115	1/4	1	230	-	-	-	-	-	-	-	
02	115/230	1/3	1	230	1/3	238	1/2	233	1/2	240	1/12	247
08	208-230/460	1/3	3	230	1/3	238	1/2	233	1/2	257	1/12	248
11	575	1/3	3	231	1/3	239	1/2	233	1/2	257	1/12	248
13	115/230	1/3	1	232	1/2	229	1	229	1	241	1/12	247
19	208-230/460	1/3	3	232	1/2	229	1	259	1	258	1/12	248
22	575	1/3	3	233	1/2	229	1	259	1	258	1/12	248
24	115/230	1/2	1	229	1	175	1,5	175	1,5	243	1/12	252
30	208-230/460	1/2	3	229	1	253	1,5	177	1/12	244	1/12	180
33	575	1/2	3	229	1	253	1,5	177	1/12	244	1/12	180
35	115/230	1	1	175	1/12	237	235	-	1/12	23	-	-
41	208-230/460	3	1	253	1/12	234	1/12	180	1/12	177	2	177
44	575	3	1	253	1/12	234	1/12	180	1/12	177	2	177
52	208-230/460	3	-	-	-	-	-	-	2	177	2	180
55	575	3	-	-	-	-	-	-	2	177	2	180
63	208-230/460	3	-	-	-	-	-	-	3	112	3	246
66	575	3	-	-	-	-	-	-	3	112	3	246
74	208-230/460	3	-	-	-	-	-	-	-	-	5	245
77	575	3	-	-	-	-	-	-	-	-	5	245

① Pour sélectionner le code d'alimentation correct, reportez-vous aux tableaux des pages 22-23.

Tableau 21.2 - Chute de pression statique dans le filtre ②

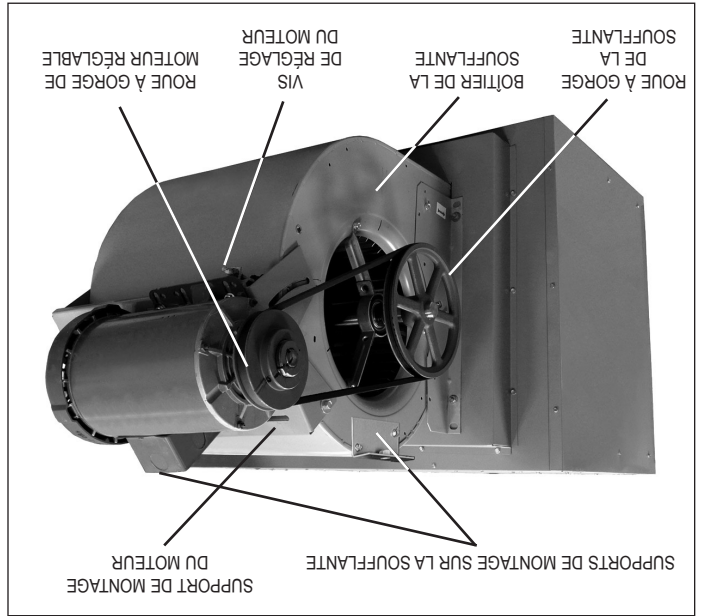
Pression statique dans le filtre (po C.E.)	BTX150	BTX175	BTX200	BTX250	BTX300	BTX350	BTX400
0,1	0,2	0,1	0,2	0,2	0,2	0,2	0,2

② Pour les modèles à soufflante avec boîtier et filtre, ajoutez les pressions statiques suivantes à la pression statique déterminée par le concepteur du système pour obtenir la pression statique externe totale.

Procédure d'installation

1. Retirez et jetez la sangle d'attache du moteur, ainsi que la cale d'expédition située sous la vis de réglage du moteur (pas sur tous les modèles).
2. Pour les moteurs de 3 et 5 HP, montez la roue à gorge sur l'arbre du moteur, puis installez le moteur sur le support de montage. Installez la courroie sur la soufflante et les roues à gorge du moteur.

Figure 20.1 - Modèle à soufflante



3. Ajustez la vis de réglage du moteur pour obtenir une déviation de courroie de 19 mm environ avec application de 2,2 kg de force à mi-distance entre les roues à gorge (figure 20.3). Comme la tension de la courroie diminue sensiblement après une période de rodage initiale, il est nécessaire de vérifier périodiquement la tension. Une tension excessive engendrera l'usure des roulements et du bruit.
4. Les roulements de la soufflante sont lubrifiés à vie; toutefois, avant la mise en marche initiale de l'appareil, l'arbre de la soufflante devrait être lubrifié au niveau des roulements avec de l'huile SAE 20. Cela permettra de réduire la friction initiale et d'amorcer l'écoulement du lubrifiant plastique.
5. Établissez les branchements électriques conformément au diagramme de câblage.
6. Vérifiez la rotation de la soufflante. Le moteur doit tourner dans le sens des aiguilles d'une montre lorsque vous trouvez face à la poulie du moteur. Si la rotation est incorrecte, corrigez-la en inversant les fils dans le moteur. Reportez-vous au diagramme de câblage sur le moteur.
7. L'appel de courant réel du moteur doit être déterminé. Il ne doit en aucun cas dépasser celui qui apparaît sur la plaque signalétique du moteur.
8. Il incombe à l'installateur de régler la roue à gorge du moteur pour fournir la performance de soufflante indiquée aux pages 22 et 23 pour les soufflantes dont le réglage ne correspond pas à la performance définie à l'usine. Le numéro d'entraînement sur l'appareil pourra être identifié en se reportant au numéro « Power Code » sur la plaque signalétique de l'appareil (voir la nomenclature des numéros de modèle page 31) et en faisant correspondre ce numéro à ceux de la page 21. Vous pourrez déduire le numéro d'entraînement de la liste.

5. Établissez les branchements électriques conformément au diagramme de câblage.
6. Vérifiez la rotation de la soufflante. Le moteur doit tourner dans le sens des aiguilles d'une montre lorsque vous trouvez face à la poulie du moteur. Si la rotation est incorrecte, corrigez-la en inversant les fils dans le moteur. Reportez-vous au diagramme de câblage sur le moteur.
7. L'appel de courant réel du moteur doit être déterminé. Il ne doit en aucun cas dépasser celui qui apparaît sur la plaque signalétique du moteur.
8. Il incombe à l'installateur de régler la roue à gorge du moteur pour fournir la performance de soufflante indiquée aux pages 22 et 23 pour les soufflantes dont le réglage ne correspond pas à la performance définie à l'usine. Le numéro d'entraînement sur l'appareil pourra être identifié en se reportant au numéro « Power Code » sur la plaque signalétique de l'appareil (voir la nomenclature des numéros de modèle page 31) et en faisant correspondre ce numéro à ceux de la page 21. Vous pourrez déduire le numéro d'entraînement de la liste.

Réglage de la soufflante

Après les branchements électriques, vérifiez la rotation de la soufflante pour garantir le chauffage soufflé. Au besoin, intervertissez les fils pour inverser la rotation de la soufflante. Démarrez le moteur du ventilateur et vérifiez le régime de la roue à gorge de la soufflante à l'aide d'un tachymètre manuel ou stroboscopique. Le régime doit correspondre aux régimes indiqués sous Données de performance, aux pages 22 et 23. Un moteur à une vitesse à roue à gorge réglable est fourni avec ces appareils. Si une modification du régime du ventilateur de la soufflante est requis, ajustez comme suit la roue à gorge du moteur :

REMARQUE : N'allumez pas l'appareil tant que la soufflante n'est pas réglée; cela pourrait causer une surchauffe.

1. Coupez l'alimentation avant d'effectuer les réglages de régime de la soufflante. Pour déterminer le régime de soufflante adéquat, reportez-vous à « Détermination du régime de la soufflante », page 19 et aux données de performance des pages 22 et 23.
2. Détendez la courroie et retirez-la de la roue à gorge du moteur.
3. Desserrez la vis de calage sur l'extérieur de la roue à gorge du moteur (figure 16.2).
4. Pour réduire le régime de la soufflante, tournez l'extérieur de la roue à gorge du moteur dans le sens inverse des aiguilles d'une montre.
5. Pour l'augmenter, tournez dans le sens des aiguilles d'une montre.
6. Resserrez la vis de calage de la roue à gorge du moteur; remettez la courroie, puis resserez l'assise du moteur. Ajustez la vis de réglage du moteur de sorte à obtenir une déviation de courroie de 3/4 po avec application de 5 livres de force à mi-distance entre les roues à gorge de la soufflante et du moteur (figure 20.3). Comme la tension de la courroie diminue sensiblement après une période de rodage initiale, il est nécessaire de vérifier périodiquement la tension pour garantir le réglage correct permanent de la courroie.
7. Assurez-vous que les roues à gorge sont alignées. Réalignez-les au besoin.
8. Revérifiez le régime de la soufflante après réglage.
9. Vérifiez l'intensité du moteur. Ne dépassez pas l'intensité indiquée sur la plaque signalétique du moteur. Ralentissez la soufflante au besoin.
10. Vérifiez l'augmentation de la température de l'air à travers l'appareil. Comparez-la aux valeurs des tableaux des performances, pages 22 et 23, pour garantir la circulation d'air réelle souhaitée.
11. Si des réglages s'imposent, revérifiez l'intensité du moteur après le réglage final du régime de la soufflante.

Figure 20.2 - Réglage de la roue à gorge du moteur

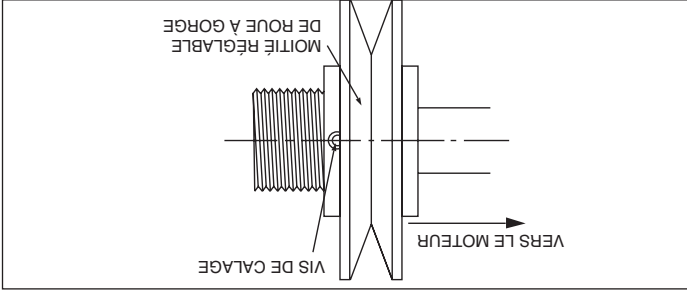
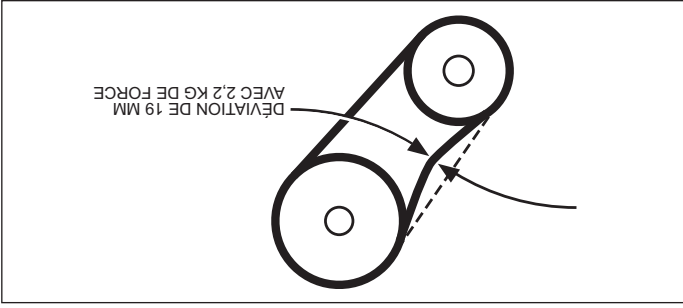
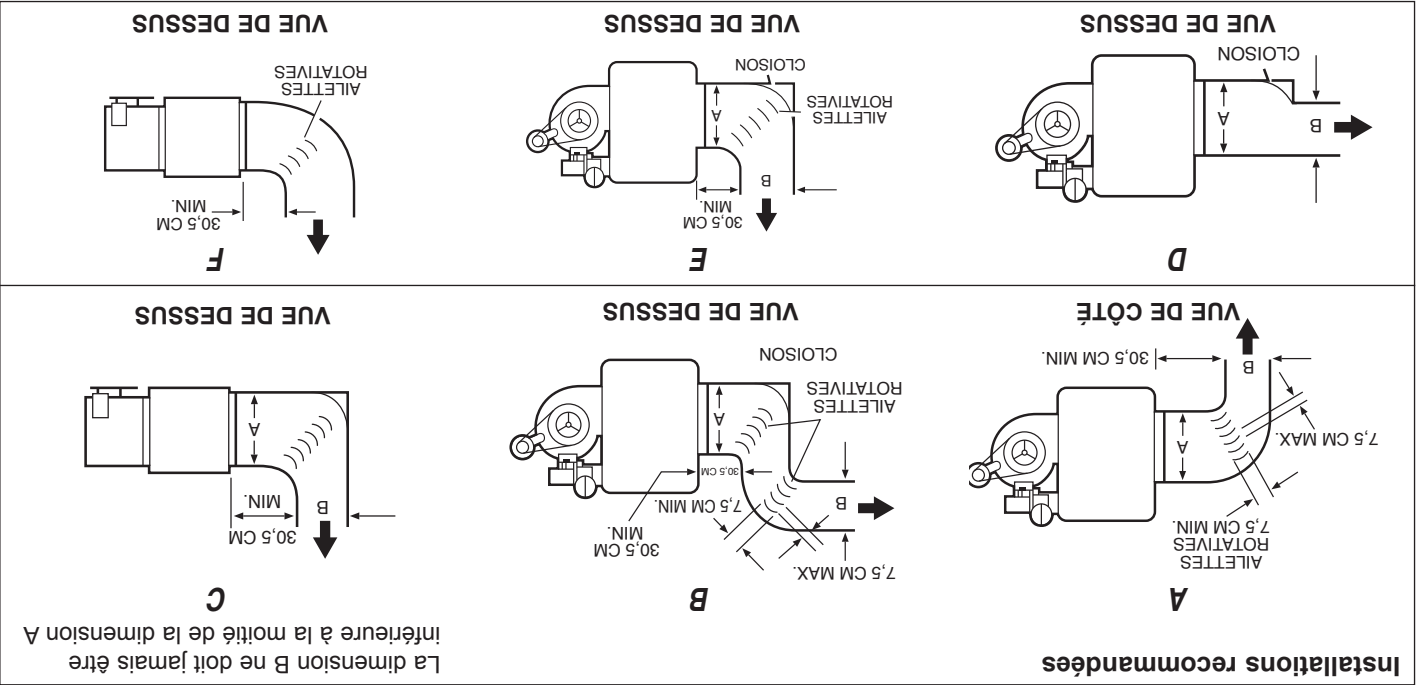


Figure 20.3 - Réglage de tension de la courroie



INSTALLATION AVEC DES GAINES

Figure 19.1 - Installation typique avec gaines et circulation d'air



IMPORTANT

N'essayez pas d'attacher des gaines quelconques aux modèles à hélice.

Lors de l'installation de l'appareil de chauffage, suivez toujours les bonnes pratiques de conception de réseau de gaine pour obtenir la distribution uniforme de l'air à travers l'échangeur de chaleur. Les configurations recommandées apparaissent à la figure 19.1. Lorsque vous installez des appareils à soufflante avec des gaines, vous devez procéder comme suit.

1. Assurez une distribution d'air uniforme sur l'échangeur thermique. Utilisez les ailettes rotatives en cas de besoin (figure 19.1).
2. Fournissez des panneaux d'accès amovibles dans les gaines côté aval de l'appareil de chauffage. Ces ouvertures doivent être assez grandes pour permettre de voir de la fumée ou de réfléchir la lumière à l'intérieur afin d'indiquer des fuites dans l'échangeur de chaleur et de vérifier les points chauds sur l'échangeur causés par une mauvaise répartition de l'air ou un manque d'air.
3. Si les gaines sont connectées à l'arrière de l'appareil, utilisez l'ensemble du boîtier de soufflante Modine ou, si vous utilisez un boîtier conçu sur site, maintenez les dimensions du boîtier de la soufflante aux dimensions indiquées à la page 27.

Exigences supplémentaires pour l'installation de modèles à soufflante (modèle BTX)

Détermination du régime de la soufflante

L'entraînement et le moteur des appareils de chauffage au gaz à soufflante de 2 HP maximum sont assemblés à l'usine. Les moteurs 3 HP et supérieurs sont expédiés non assemblés pour éviter les dommages en cours d'expédition. La roue à gorge réglable du moteur a été pré-réglée pour permettre le fonctionnement de cet appareil dans des conditions moyennes de circulation de l'air et sans pression statique externe. La roue à gorge du moteur doit être réglée au besoin quand l'appareil doit fonctionner avec des débits d'air et/ou des pressions statiques externes non moyens. Le réglage doit toujours se situer dans la plage de performance indiquée à la page 26 et la plage de montée de température indiquée sur la plaque signalétique de l'appareil.

Pour déterminer le régime correct de la soufflante et de l'ouverture de la roue à gorge du moteur, les conditions d'exploitation de l'appareil doivent

être connues. Si l'appareil à soufflante doit être utilisé sans gaines ou filtres, le seul critère de détermination du réglage d'ouverture de la roue à gorge du moteur et du régime de la soufflante est le volume d'air à délivrer. Les tableaux des performances pour les modèles de soufflante fonctionnant sans pression statique externe à savoir, sans gaines, filtres, etc., et qui doit administrer un volume d'air de 6481 pi³/min (pi³/min = pieds cubes d'air par minute) exigent une alimentation avec un moteur de 5 HP, un entraînement -207 et la roue à gorge de l'entraînement doit être réglée à 2,5 tours pour atteindre un régime de soufflante de 960 tr/min (pour les modèles avec ou sans soufflante, voir le tableau des performances, page 23). Pour le réglage des tours de poulie d'entraînement, reportez-vous à la section « Réglage de la soufflante », page 20.

Si un appareil à soufflante doit être utilisé avec des gaines ou des filtres, etc., la pression statique externe totale à laquelle l'appareil doit fonctionner et le débit d'air requis doivent être connus avant que l'appareil puisse être correctement réglé.

Si des filtres Modine sont utilisés, la perte de pression prévue à travers les filtres est fournie parmi les données de performance, à la page 21. Si des filtres ou des gaines doivent être utilisées avec l'appareil et qu'elles ne sont pas fournies par Modine, l'ingénieur-concepteur ou le sous-traitant chargé de l'installation devra déterminer la perte de pression pour que les appareils externes ajoutés ou les gaines arrivent à la pression statique externe totale à laquelle l'appareil doit fonctionner.

Une fois la pression statique totale et le débit d'air requis connus, le régime de l'exploitation de la soufflante pourra être déterminé et les réglages de la roue à gorge du moteur correctement effectués. Par exemple, un modèle BTX 350 doit être utilisé avec un boîtier de soufflante et des filtres fournis par Modine attachés aux gaines. L'appareil doit déplacer 6481 pi³/min d'air par rapport à une pression statique externe de 0,2 po C.E. De plus, 0,2 po C.E. doivent être ajoutés à la chute de pression dans le filtre, pour un total de 0,4 po C.E. de chute de pression. À l'entrée du tableau des performances, page 18, pour un BTX 350, à 6481 pi³/min et 0,4 po C.E. de pression statique, on observe que l'appareil exigera un moteur de 5 HP min. Vous pouvez voir que cet exemple est différent de conditions similaires au paragraphe 2 sur le plan du nombre de tours et d'un régime supérieur, tous deux nécessaires pour surmonter la pression statique supplémentaire des filtres.

⚠ AVERTISSEMENT

1. Débranchez l'alimentation avant d'effectuer des branchements pour éviter tout risque d'électrocution et d'endommagement de l'appareil.
2. Tous les branchements et câblages doivent être faits en stricte conformité avec le schéma fourni avec l'appareil. Tout câblage différent de celui du schéma peut créer des risques de dommages matériels ou de blessures.
3. Tout câblage usine d'origine exigeant un remplacement doit être remplacé par un câble d'indice thermique nominal de 105 °C.
4. Assurez-vous que la tension d'alimentation n'est pas supérieure de plus de 5 % à la tension nominale inscrite sur la plaque de l'appareil.
5. Lorsque l'interrupteur de marche/arrêt de l'appareil est en position « Arrêt », l'alimentation reste sous tension à l'arrière de l'interrupteur. Quand un dispositif de démarrage de moteur installé à l'usine ou sur site comme un relais ou un contacteur est présent, il est possible que les bornes d'alimentation de ces composants restent sous tension, même en position « Arrêt ». Pour une maintenance sur ces bornes ou à proximité de celles-ci, l'alimentation du bâtiment à l'appareil doit être coupée.

⚠ ATTENTION

⚠ Vérifiez que la tension d'alimentation n'est pas inférieure de plus de 5 % à la tension nominale inscrite sur la plaque de l'appareil.

1. L'installation du câblage doit être conforme aux codes locaux du bâtiment ou, en l'absence de codes locaux, au Code électrique national ANS/NFPA 70, dernière édition. Conformément à ce code, l'appareil doit être mis à la terre. Au Canada, le câblage doit être conforme à CSA C22.1, Partie 1, Code électrique.
 2. Deux exemples du diagramme de câblage de l'appareil sont fournis avec chaque appareil. Un se situe dans le compartiment de commande accessible par le côté et l'autre est fourni dans le paquet de documentation. Reportez-vous à ce diagramme pour tous les branchements de câbles.
 3. Assurez-vous que tous les composants multi-tension (moteurs, transformateurs, etc.) sont câblés conformément à la tension secteur.
 4. L'alimentation de l'appareil doit être protégée par un interrupteur à fusible ou coupe-circuit.
 5. L'alimentation doit se trouver à $\pm 5\%$ de la tension nominale et les phases doivent être équilibrées à $\pm 2\%$ les unes des autres. Sinon, prévenez le fournisseur d'électricité.
 6. Les branchements électriques externes à installer incluent :
 - a. Branchement de l'alimentation secteur (115, 208, 230, 460 ou 575 volts).
 - b. Branchement des thermostat ou de tout autre appareil de commande d'accessoire pouvant être fourni (24 volts).
- REMARQUE :** Tous les appareils affichant une tension nominale de 208 V et plus doivent utiliser un transformateur abaisseur installé sur site, offert comme accessoire séparé.
7. Pour l'emplacement d'entrée du câblage dans la boîte de dérivation, reportez-vous à la figure 18.1.
 8. Tous les branchements électriques d'alimentation sont établis dans le compartiment de la boîte de dérivation de l'appareil. Les appareils à basse tension (thermostat et accessoires de commande) peuvent être câblés aux bornes de la boîte de dérivation.
 9. Des modèles à combustion séparés incluent un interrupteur de marche/arrêt à bascule installé à l'usine. Cet interrupteur a pour fonction de couper l'alimentation de l'appareil pour une maintenance ou d'arrêter l'appareil quand il fait chaud. Les valeurs nominales de l'interrupteur sont 15 A ou 3/4 HP à 125 V.

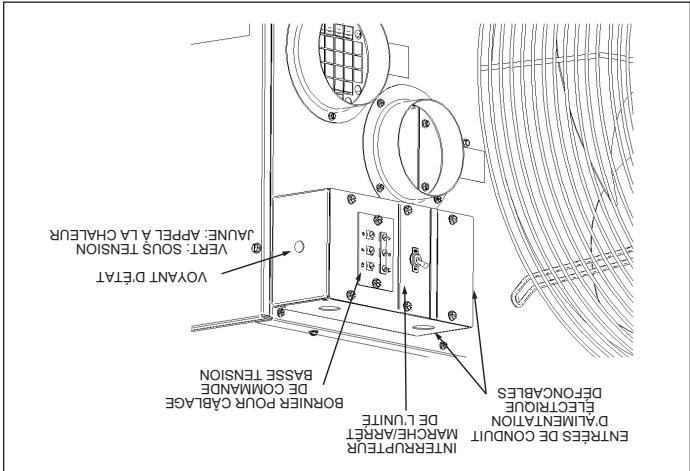


Figure 18.1 - Boîte pratique avec interrupteur à bascule pour entrepreneur

INSTALLATION – ENSEMBLE D'ACCESSOIRES POUR HAUTE ALTITUDE

ENSEMBLE D'ACCESSOIRES POUR HAUTE ALTITUDE

Les valeurs nominales d'entrée standard des appareils au gaz de Modine sont certifiées par ETL. À plus de 2000 pieds, la norme ANSI Z223.1 exige la réduction des valeurs nominales de 4 % tous les 1000 pieds au-dessus du niveau de la mer. Au Canada, l'ACNOR exige la réduction des valeurs nominales de 10 % à plus de 2000 pieds d'altitude. Les instructions de réglage en haute altitude et les ensembles de pressostat listés dans ce manuel concernent les appareils qui seront installés à plus de 2000 pieds. Ces méthodes et ensembles sont conformes aux exigences ANSI Z223.1 et ACNOR.

Si un appareil doit être installé à plus haute altitude ET converti d'un service au gaz naturel à gaz propane, un ensemble de conversion au propane doit être utilisé avec les méthodes de réglage de pression et les ensembles de pressostat listés dans ce manuel. Pour les instructions de sélection et d'installation pour les ensembles de conversion au propane, consultez la toute dernière version du manuel Modine 75-515.

Sélection de la pression et de l'ensemble corrects

Pour déterminer la pression de collecteur correcte en altitude et si nécessaire, l'ensemble de pressostat d'air de combustion correct, le numéro de modèle complet de l'appareil de chauffage, le combustible à utiliser et l'altitude à laquelle l'appareil sera installé doivent être connus. Pour obtenir les renseignements nécessaires sur l'appareil, consultez la plaque du numéro de série.

Une fois en possession de ces informations, consultez les tableaux de pressions de gaz et de sélection aux tableaux 16.1 à 17.1. Les tableaux de pression sont divisés par altitude, type de combustible et pays d'installation du produit. Les tableaux de sélection sont divisés par type de produit, altitude et type de combustible. *Dans le cas d'une conversion du gaz naturel au propane et d'une utilisation à haute altitude, un ensemble de conversion au propane et un ensemble de pressostat devra être utilisé (le cas échéant).* Les tableaux de sélection incluent le suffixe d'ensemble adéquat, si nécessaire.

Tableau 16.1 - Valeurs de chauffage du gaz naturel selon l'altitude

Altitude (pi)	É.-U.	Canada
0 à 2000	1050	1050
2001 à 3000	929	
3001 à 4000	892	945
4001 à 4500	874	
4501 à 5000	856	856
5001 à 6000	822	822
6001 à 7000	789	789
7001 à 8000	757	757
8001 à 9000	727	727
9001 à 10000	698	698
10001 à 11000	670	670
11001 à 12000	643	643
12001 à 13000	618	618
13001 à 14000	593	593

Gaz à teneur en BTU diminuée et calcul de pression au collecteur

Certains fournisseurs de gaz pourront réduire la teneur en BTU (valeur de chauffage) du gaz fournie en altitude à une autre valeur que 1050 BTU/pi³ pour le gaz naturel ou 2500 BTU/pi³ pour le propane pour permettre l'utilisation de certains appareils de chauffage sans régler la pression au collecteur. C'est pourquoi il est nécessaire de contacter le fournisseur de gaz pour en savoir plus sur le type de gaz et la teneur en BTU (valeur de chauffage) avant d'utiliser un appareil de chauffage. Les tableaux 16.1 et 16.2 indiquent les valeurs de chauffage diminuées standard (4 % pour 1000 pieds d'altitude aux États-Unis et 10 % entre 2001 et 4500 pieds d'altitude au Canada) des gaz naturel et propane à différentes altitudes. Si le fournisseur livre du gaz avec des valeurs de chauffage comme indiquées aux tableaux 16.1 et 16.2, la pression au collecteur doit être réglée à 3,5 po C.E. pour le gaz naturel et à 10 po C.E. pour le propane.

REMARQUE : Seule la pression de gaz à feu fort doit être ajustée, la pression de gaz à feu bas doit rester la même.

Tableau 16.2 - Valeurs de chauffage du gaz propane selon l'altitude

Altitude (pi)	É.-U.	Canada
0 à 2000	2500	2500
2001 à 3000	2212	
3001 à 4000	2123	2250
4001 à 4500	2080	
4501 à 5000	2038	2038
5001 à 6000	1957	1957
6001 à 7000	1879	1879
7001 à 8000	1803	1803
8001 à 9000	1731	1731
9001 à 10000	1662	1662
10001 à 11000	1596	1596
11001 à 12000	1532	1532
12001 à 13000	1471	1471
13001 à 14000	1412	1412

① Les valeurs indiquées correspondent à une pression au collecteur de 10 po C.E.; pour les autres valeurs de teneur en BTU (disponibles auprès de votre fournisseur local), utilisez l'équation 17.1 pour calculer la pression au collecteur.
 ② Les valeurs indiquées correspondent à une pression au collecteur de 10 po C.E.; pour les autres valeurs de teneur en BTU (disponibles auprès de votre fournisseur local), utilisez l'équation 17.1 pour calculer la pression au collecteur.
 ③ Si l'appareil est installé à plus de 2000 pieds, vous devrez peut-être remplacer un pressostat. Reportez-vous au tableau 17.1 pour voir si un changement de pressostat est nécessaire.
 ④ Les valeurs nominales de chauffage du gaz sont réduites de 4 % tous les 1000 pieds d'altitude aux États-Unis et de 10 % entre 2000 et 4500 pieds d'altitude au Canada, conformément aux normes ANSI Z223.1 et ACNOR-B149, respectivement.

INSTALLATION – RACCORDEMENTS DE GAZ

RACCORDEMENTS DE GAZ

⚠ Avertissement

- Toutes les tuyauteries de gaz extérieures doivent être soumises à des essais de pression et d'étanchéité avant la mise en marche. Ne recherchez jamais les fuites avec une flamme nue. Utilisez plutôt de l'eau savonneuse ou un produit équivalent.
- La pression de gaz au régulateur de l'appareil ne doit jamais dépasser 14 po C.E. (1/2 psi).
- Pour réduire les risques de condensation, le pouvoir calorifique minimum du gaz (au niveau de la mer) ne doit pas être inférieur de plus de 5 % à la valeur nominale figurant sur la plaque signalétique de l'appareil ou de 5 % à la valeur la plus basse des appareils à double alimentation.

⚠ Attention

- La purge de l'air des tuyauteries de gaz doit se faire selon la procédure ANSI Z223.1 (NFPA 54) – dernière édition ou aux codes CSA B149 pour le Canada.
- Pour l'essai d'étanchéité des tuyauteries d'alimentation en gaz, l'appareil et son régulateur de gaz combiné doivent être isolés pour tout essai fait à une pression dépassant 14 po C.E. (1/2 psi).
- L'appareil devra être isolé de la conduite d'alimentation en gaz par la fermeture d'un robinet d'arrêt manuel posé à l'installation. Ce robinet d'arrêt doit être dans un rayon de 6 pi autour de l'appareil.
- Fermez l'arrivée générale de gaz avant d'installer l'appareil.

IMPORTANT

Pour éviter une défaillance prématurée de l'échangeur de chaleur, l'apport calorifique du gaz utilisé ne doit pas excéder de plus de 5 % la valeur nominale inscrite sur la plaque signalétique de l'appareil.

- L'installation doit se faire conformément aux codes locaux de la construction ou, à défaut de tels codes, conformément au National Fuel Gas Code, ANSI Z223.1 (NFPA 54), dernière édition. Au Canada, l'installation doit se faire conformément à la norme CSA B149.1.
- Les tuyauteries doivent être conformes aux exigences locales et nationales pour le type et le volume de gaz, ainsi que les pertes de charge admissibles dans les lignes. Consultez le tableau 15.1 pour déterminer les débits (CFH) pour le type de gaz et la capacité de l'appareil à installer. À partir de la valeur du débit et de la longueur de tuyau nécessaire, déterminez le diamètre de tuyau en consultant le tableau 15.2. Si plusieurs appareils de chauffage sont desservis par la même conduite principale, il faut tenir compte de la capacité totale, du débit total et de la longueur totale. N'utilisez pas de tuyau plus petit que 1/2 po. Le tableau 15.2 est établi pour une perte de charge de 0,3 po C.E. entre la conduite principale du bâtiment et l'appareil de chauffage. La pression du gaz à l'entrée de l'appareil doit être de 6 à 7 po C.E. et de 11 à 14 po C.E. pour le propane. En déterminant le diamètre de la conduite d'alimentation, il faut s'assurer que ces pressions seront respectées à l'entrée de l'appareil malgré la perte de charge de 0,3 po C.E. admise dans la tuyauterie. Si une perte de charge de 0,3 po C.E. est excessive, consultez le manuel Gas Engineers' Handbook pour déterminer la section des tuyaux de gaz. Installez un raccord union à joint rodé avec un siège en laiton et un robinet d'arrêt manuel adjacent à l'appareil pour les arrêts manuels d'urgence et l'entretien des commandes, comportant un raccord 1/8 po NPT avec bouchon obturateur, pour pouvoir brancher un manomètre (voir la figure 15.1).
- Si des essais de pression et d'étanchéité doivent être faits à plus de 14 po C.E. (1/2 psi), fermez le robinet d'arrêt installé sur site, déconnectez l'appareil et sa commande de gaz mixte de l'arrivée de gaz et bouchez l'arrivée de gaz avant le test. Lorsque vous testez des pressions de 14 po C.E. (1/2 psi) ou inférieures, fermez le robinet d'arrêt manuel sur l'appareil avant d'effectuer le test.

1. Utilisez deux clés pour raccorder la tuyauterie du site aux appareils. Ajoutez un collecteur de sédiments en amont de chaque appareil et dans la tuyauterie s'il n'est pas possible d'éviter les points bas (voir la figure 15.1).
2. Utilisez deux clés pour raccorder la tuyauterie du site aux appareils. Ajoutez un collecteur de sédiments en amont de chaque appareil et dans la tuyauterie s'il n'est pas possible d'éviter les points bas (voir la figure 15.1).
3. Installez un raccord union à joint rodé avec un siège en laiton et un robinet d'arrêt manuel adjacent à l'appareil pour les arrêts manuels d'urgence et l'entretien des commandes, comportant un raccord 1/8 po NPT avec bouchon obturateur, pour pouvoir brancher un manomètre (voir la figure 15.1).

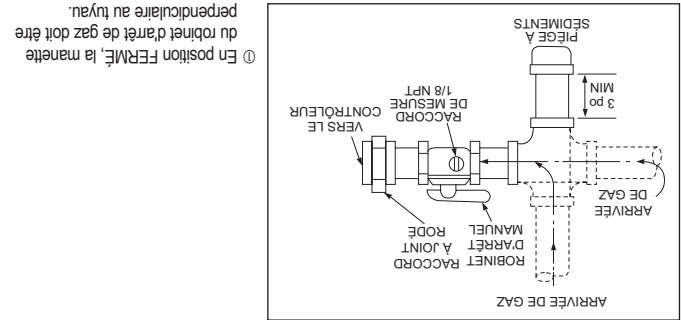


Figure 15.1 - Installation recommandée : piège à sédiments et robinet d'arrêt manuel – Pour un raccordement latéral ou par le bas

Tableau 15.1 - Pression au collecteur et consommation de gaz au niveau de la mer

Nbre d'orifices	Taille de Pression au collecteur (po C.E.) :		Diam. forêt pour orifice	pi cubes/h	gal/h propane	sans objet	Diam. forêt pour orifice	pi cubes/h	gal/h propane	sans objet
	Naturel	Propane								
150	10	3,5	142,9	60	1,6	42	166,7	70	1,9	53
	6	60	142,9	60	1,6	42	166,7	70	1,9	53
		150	42	166,7	70	1,9	53	175	53	1,9
175	7	53	190,5	80	2,2	52	200	80	2,2	52
		175	52	190,5	80	2,2	52	200	80	2,2
	9	250	39	1,55 mm	238,1	100	250	39	1,55 mm	238,1
300	9	120	285,7	120	3,3	36	300	120	3,3	36
		300	36	285,7	120	3,3	36	300	120	3,3
	300	36	285,7	120	3,3	36	300	120	3,3	36
350	12	140	333,3	140	3,8	38	350	140	3,8	38
		350	38	333,3	140	3,8	38	350	140	3,8
	350	38	333,3	140	3,8	38	350	140	3,8	38
400	12	160	381	160	4,4	44	400	160	4,4	44
		400	44	381	160	4,4	44	400	160	4,4
	400	44	381	160	4,4	44	400	160	4,4	44

Tableau 15.2 - Capacités de gaz - Gaz naturel

Longueur de tuyau (pi)	Gaz naturel	
	1 po	1-1/2 po
1/2 po	3/4 po	1 po
10	132	278
20	92	190
30	73	152
40	63	130
50	56	115
60	50	105
70	46	96
80	43	90
100	38	79
125	34	72
150	31	64

Capacités en pieds cubes par heure dans des tuyaux de nomenclature 40 avec une chute de pression maximum de 0,3 po C.E. avec une pression gazeuse de 14 po C.E. La densité est de 0,60 pour le gaz naturel et de 1,50 pour le propane.

Pour obtenir la capacité de tuyaux contenant du propane, divisez la capacité pour le gaz naturel par 1,6. Exemple : quelle est la capacité d'un tuyau à propane de 60 pi x 1-1/4 po? Sa capacité est de 400 pi³/h. Divisez cette valeur par 1,6 pour obtenir 250 pi³/h pour le propane.

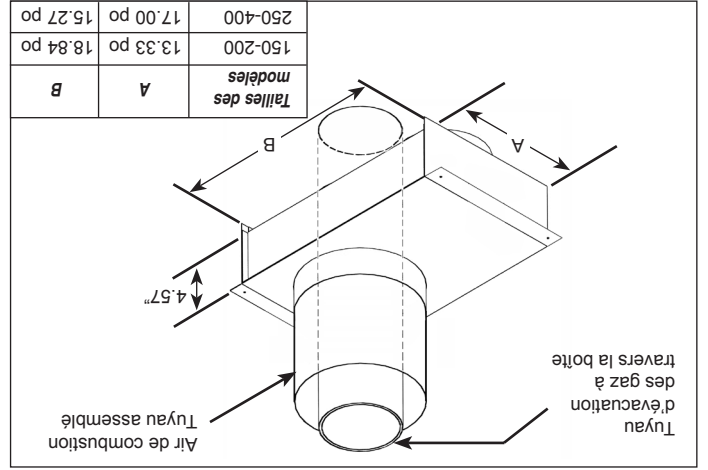
F9. Glissez le tuyau d'air de combustion sur le tuyau d'évacuation et attachez-les à la prise d'air de la boîte adaptatrice d'évacuation concentrique (figure 14.1), à l'aide de 3 vis à tête résistante à la corrosion. Scellez les joints à l'aide d'un produit adapté à des températures pouvant atteindre 205 °C (400 °F).

F10. Engagez l'ensemble (boîte adaptatrice, tuyau d'évacuation et tuyau d'air de combustion) à travers le mur ou le toit en vous assurant que les prescriptions de distance de la section D7 sont respectées. Attachez solidement l'ensemble au bâtiment.

F11. Depuis l'extérieur du bâtiment, colmatez au mastic l'espace entre le tuyau de prise d'air de combustion et le trou de pénétration du bâtiment.

F12. Fixez les extrémités de l'admission d'air de combustion et du tuyau d'aération comme suit :

Figure 14.1 - Boîte adaptatrice avec la prise d'air de combustion fixée



Pour les ensembles d'évacuation de gaz concentrique verticale (figure 13.1) :

- Glissez le couronnement du tuyau d'air de combustion vers le bas sur le tuyau d'évacuation et attachez-les au tuyau d'air de combustion, à l'aide de 3 vis à tête résistante à la corrosion.
- Attachez le couronnement du tuyau d'évacuation au tuyau d'évacuation à l'aide de 3 vis résistante à la corrosion. Pour raccorder le chapeau au tuyau à double paroi, consultez l'instruction A11.
- Assurez l'étanchéité entre le chapeau de la prise d'air de combustion et la cheminée avec un mastic silicone ou un autre produit d'étanchéité métal sur métal résistant à des températures de 205 °C (400 °F).

Pour les ensembles d'évacuation de gaz concentrique horizontale (figure 13.2) :

- Attachez la grille de la prise d'air de combustion à l'aide de vis résistante à la corrosion à l'extrémité du tuyau de prise d'air de combustion pour éviter l'entrée d'animaux ou de corps étrangers.
 - Attachez le couronnement du tuyau d'évacuation au tuyau d'évacuation à l'aide de 3 vis résistante à la corrosion.
- F13. Installez le tuyau d'évacuation et le tuyau d'air de combustion entre l'appareil de chauffage et la boîte adaptatrice concentrique, comme indiqué à « Section A – Instructions générales – Tous modèles ».
- F14. Une fois l'installation du système d'évacuation terminée, passez à la section intitulée « Installation – Raccordements de gaz ».

Figure 14.2 - Vue éclatée de la boîte adaptatrice

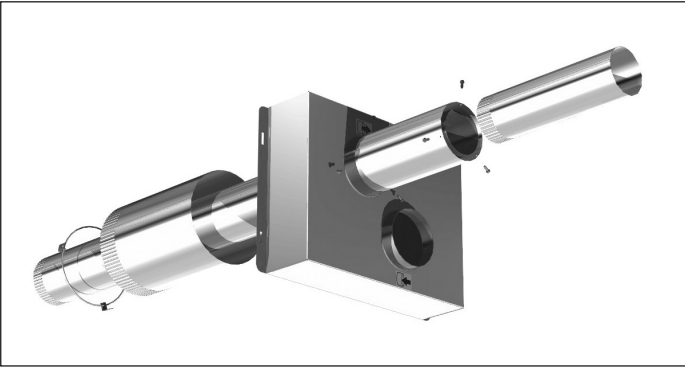


Tableau 14.1 - Diamètres de tuyau d'évacuation concentrique

Tuyau d'évacuation Type B ①	Tuyau à paroi simple	
	Air de combustion (externe)	Air de combustion (pour l'unité)
Modèle (capacité)	Air de combustion (externe)	Air de combustion (pour l'unité)
150-200	6 po	4 po
250-400	8 po	6 po
Event (pass-through)	6 po	4 po

① B-Vent doit avoir fosse 1/4 d'air po (dimension extérieure de 1/2 po de plus que la dimension interne).

ATTENTION

La boîte adaptatrice concentrique doit être installée à l'intérieur de la structure ou du bâtiment. Elle n'est pas prévue pour être installée à l'extérieur.

Section F - Systèmes d'air et d'événements à combustion horizontale ou verticale utilisant un événement concentrique III (combustion séparée)

F1. Cette section s'applique aux systèmes d'évacuation des gaz concentriques horizontaux et verticaux tels que définis dans la « Section A – Instructions générales – tous modèles » et vient s'ajouter aux instructions de cette section.

F2. Lorsque vous utilisez l'option d'évacuation concentrique des gaz, vous devrez prédéterminer si l'évacuation des gaz de l'appareil de chauffage sera à l'horizontale ou à la verticale. Avant de poursuivre, assurez-vous que l'ensemble d'évacuation concentrique reçu contient les composants corrects pour l'installation :

Pour les unités ventilées verticales de 2 tuyaux (figure 13.1) :

- ① Adaptateur concentrique (identique pour les ensembles horizontaux et verticaux)
- ② Chapeau de cheminée listé standard
- ③ Chapeau de prise d'air spécial

Pour les unités horizontales ventilées à 2 tuyaux (figure 13.2) :

- ① Adaptateur concentrique (identique pour les ensembles horizontaux et verticaux)
- ② Chapeau d'évacuation spécial
- ③ Grille de prise d'air spéciale

Figure 13.1 - Composants de l'ensemble d'évacuation des gaz concentrique verticale

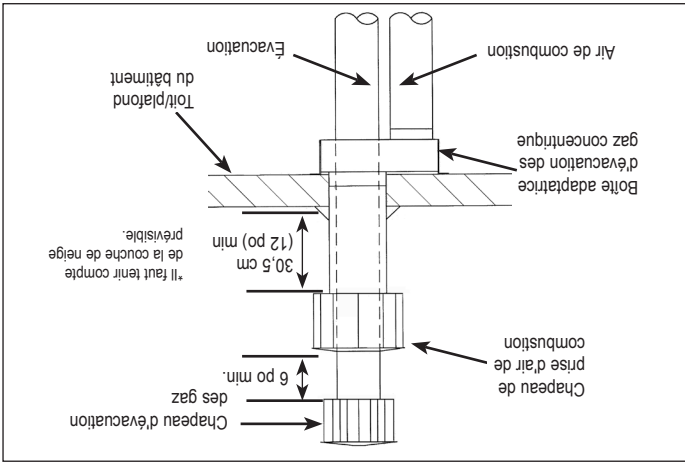
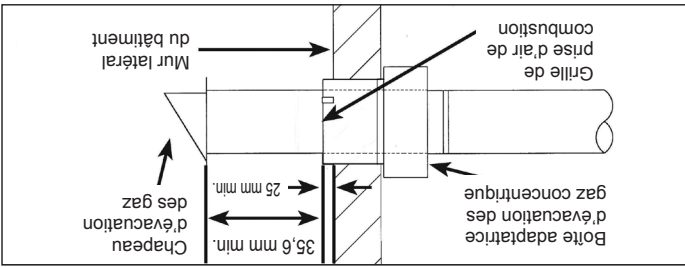


Figure 13.2 - Composants de l'ensemble d'évacuation des gaz concentrique horizontale



F3. Une fois le contenu de l'ensemble vérifié comme étant correct pour la direction de l'évacuation, la boîte adaptatrice d'évacuation des gaz concentrique doit être installée. Déterminez l'emplacement de la boîte. Respectez toutes les distances de sécurité prescrites dans les instructions.

F4. La boîte adaptatrice doit être montée à l'intérieur du bâtiment. Elle ne doit pas être montée à l'extérieur. Elle a des trous de fixation pour en faciliter l'installation.

F5. La boîte adaptatrice peut être montée en affleurant au mur (pour les ensembles horizontaux) ou au plafond (pour les ensembles verticaux). La boîte peut également être déportée du mur ou du plafond à l'aide d'équerres non fournies. Lorsque vous montez la boîte, prenez en considération des facteurs tels que la facilité de maintenance et l'accessibilité des tuyaux d'évacuation des gaz et d'air de combustion. Si la boîte doit être montée à l'aide des équerres non fournies, ces équerres devront être assez solides pour fixer solidement la boîte au mur ou au plafond, et elles devront être faites d'un matériau résistant à la corrosion.

F6. Déterminez la longueur du tuyau d'évacuation des gaz et du tuyau de prise d'air de combustion pour l'emplacement sélectionné. LE TUYAU D'ÉVACUATION DES GAZ TRAVERSE LA BOÎTE ADAPTATRICE. LA DERNIÈRE LONGUEUR DE TUYAU D'ÉVACUATION DES GAZ EST UNE LONGUEUR CONTINUE DE TUYAU D'ÉVACUATION « B » À DOUBLE PAROI. Voir la section A12 pour le raccordement et la fermeture du tuyau à double paroi. Commencez par les sections de tuyau côté tuyau concentrique de la boîte adaptatrice en vous reportant à la figure 14.1. Ces tuyaux traversent le mur ou le toit et tout autre longueur supplémentaire correspondant à l'épaisseur du mur et au déport par rapport aux équerres installées sur site.

Pour les ensembles d'évacuation de gaz concentrique verticale (figure 13.1) :

- Le dessous du chapeau de la prise d'air de combustion doit être au-dessus de la hauteur normale de neige ou à 30 cm (12 po) du toit (la plus grande des deux distances).
- Le bas du tuyau de prise d'air de combustion air doit se terminer à 15,2 cm minimum au-dessus du couronnement de prise d'air de combustion.

Pour les ensembles d'évacuation de gaz concentrique horizontale (figure 13.2) :

- Le tuyau de prise d'air de combustion doit se terminer à 1 po minimum du mur pour éviter que l'eau ne s'écoule le long du mur et ne retourne dans le tuyau.
 - L'arrière du chapeau d'évacuation doit être à au moins 14 po au-dessus du tuyau de la prise d'air de combustion.
- F7. Coupez les tuyaux d'air de combustion et d'évacuation horizontale concentrique à la bonne longueur comme indiqué à l'étape précédente. Pour les diamètres des tuyaux d'évacuation et d'air de combustion, voir le tableau 14.1. Les tuyaux doivent être en inox ou en matière galvanisée à paroi simple, mis à part la dernière longueur du tuyau d'évacuation, qui doit être une longueur continue de tuyau d'évacuation B à double paroi traversant la boîte adaptatrice d'évacuation des gaz. B à double paroi traversant la boîte adaptatrice d'évacuation des gaz concentrique et le tuyau de prise d'air de combustion et le tuyau de la boîte.

REMARQUE – Aucune distance aux matériaux combustibles n'est nécessaire pour la pénétration dans le bâtiment; la dimension du tuyau doit être calculée en fonction du diamètre du tuyau d'admission d'air de combustion externe.

F8. Le tuyau d'évacuation des gaz côté concentrique doit traverser la boîte adaptatrice d'évacuation des gaz concentrique, comme illustré à la figure 14.1. Attachez le tuyau d'évacuation des gaz à double paroi au tuyau d'évacuation des gaz à paroi simple qui entre dans l'appareil. Veillez à fermer hermétiquement le raccord et à dégager la zone autour de l'évacuation des gaz à double paroi. Scellez tous les joints et les raccords à l'aide d'un produit adapté à des températures pouvant atteindre 205 °C (400 °F).

Section E – Air et évènement de combustion horizontaux - Détermination du système de ventilation de catégorie III (combustion séparée) Instructions de ventilation

- E1. Cette section s'applique aux systèmes d'évacuation horizontale de catégorie III et complète les prescriptions de la section A – Instructions générales – Tous modèles. Les systèmes de ventilation de catégorie III énumérés par une agence reconnue à l'échelle nationale et correspondant aux diamètres spécifiés peuvent être utilisés. Différentes marques de tuyau matériaux de ventilation peuvent ne pas être mélangées. Il est interdit d'accoupler deux longueurs de tuyau à double paroi dans une même installation d'évacuation horizontale à cause de l'impossibilité de vérifier l'étanchéité des raccords du tuyau intérieur.
- E2. Conduit horizontal débouchant horizontalement (sur le côté du bâtiment).
- E3. Tous les systèmes d'évacuation horizontale doivent être terminés avec un chapeau de cheminée listé. Les distances minimales du chapeau au mur extérieur sont indiquées à la figure 12.1.
- E4. Dans un système horizontal, le tuyau d'évacuation doit dépasser de 41 cm (16 po) de la surface extérieure du mur extérieur.
- E5. Le tuyau d'air de combustion doit être situé au moins 15,2 cm (6 po) plus bas que le tuyau d'évacuation et doit dépasser du mur de 10,1 cm (4 po).
- E6. La configuration du système est illustrée à la figure 12.1.
- E7. Si les tuyaux horizontaux passent à travers un mur combustible (jusqu'à 22 po d'épaisseur), une traversée isolante doit être réalisée, comme illustré à la figure 12.2.
- E8. La cheminée doit être soutenue, comme illustré à la figure 12.2.
- E9. Si la condensation risque d'être un problème, le système d'évacuation ne doit pas déboucher au-dessus d'une voie publique ou d'une zone où le condensat ou la vapeur pourrait créer une nuisance ou un danger, ou pourrait affecter le fonctionnement de régulateurs ou d'évents, ou autres équipements.
- E10. Maintenez une pente de 1/4 po par pied à l'écart de l'appareil de chauffage et placez une purge avec regard de nettoyage près de la sortie de l'évacuation, comme illustré à la figure 12.2, ou laissez le condensat s'écouler jusqu'à l'extrémité.
- E11. Lorsqu'un chapeau de cheminée est situé sous un avant-toit, la distance du porte-à-faux ne doit pas dépasser 61 cm (24 po). Les dégagements par rapport aux surfaces combustibles d'un conduit d'évacuation extérieur doivent être de 30 cm (12 po) au minimum. Consultez le National Fuel Gas Code pour les exigences additionnelles relatives aux avant-toits ayant des ouvertures de ventilation.
- E12. Une fois que le système d'évacuation a été établi, passez à la section « Installation – Raccordements de gaz ».

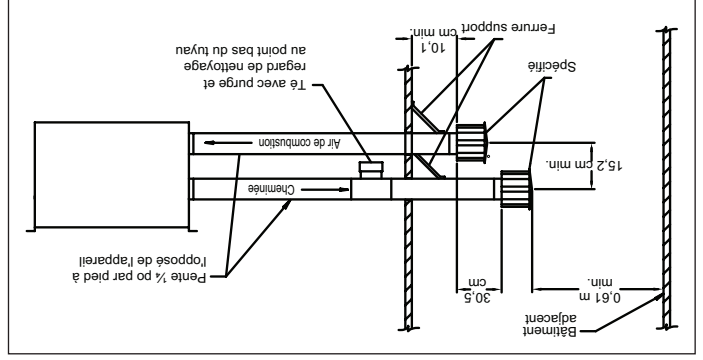


Figure 12.1 - Evacuation des gaz horizontale avec inclinaison

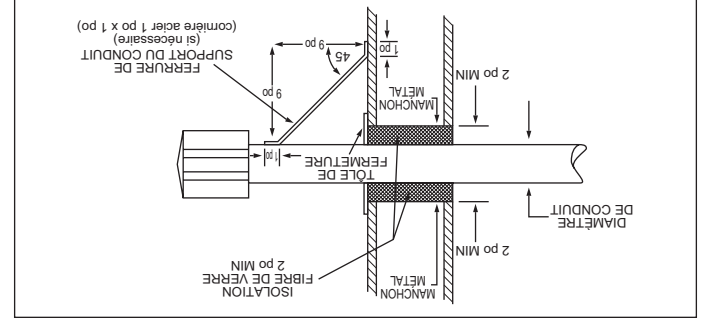


Figure 12.2 - Construction d'une traversée à travers une paroi combustible et support de cheminée

INSTALLATION – ÉVACUATION

Section D - Air et évént à combustion verticale - Instructions
 de ventilation des événts de catégorie III (combustion séparée)
 D1. Cette section s'applique aux systèmes d'évacuation des gaz à 2 tuyaux (un tuyau de prise d'air de combustion et un tuyau d'évacuation des gaz) verticaux et vient s'ajouter à « Section A – Instructions générales – tous modèles ».

- D2. Conduit vertical débouchant verticalement (vers le haut).
 D3. Il est recommandé de toujours poser un té dont la branche verticale munie d'un bouchon servira à collecter les liquides, comme sur la figure 11.1.
 D4. Les tuyaux d'air de combustion et d'évacuation des gaz doivent se terminer par (2) chapeaux de cheminée listés.
 D5. Les conduits verticaux doivent se terminer à des distances horizontales et verticales minimales des lignes de toiture et des murs ou obstacles adjacents. Ces distances minimums sont données à la figure 11.1 et au tableau 11.1.
 D6. La cheminée doit déboucher au moins 30 cm (1 pi) au-dessus et 15 cm (6 po) horizontalement de la prise d'air de combustion.
 D7. Une fois que le système d'évacuation a été établi, passez à la section « Installation – Raccorderments de gaz ».

Tableau 11.1 - Hauteur minimale de l'orifice de sortie le plus bas au-dessus du toit

Élévation X (po)	Pente du toit	Hauteur min. H (pi) ①
0-6	Plat jusqu'à 6/12	1,00
6-7	6/12 à 7/12	1,25
7-8	7/12 à 8/12	1,50
8-9	8/12 à 9/12	2
9-10	9/12 à 10/12	2,50
10-11	10/12 à 11/12	3,25
11-12	11/12 à 12/12	4
12-14	12/12 à 14/12	5
14-16	14/12 à 16/12	6
16-18	16/12 à 18/12	7
18-20	18/12 à 20/12	7,50
20-21	20/12 à 21/12	8

① Il faut tenir compte de la couche de neige prévisible.

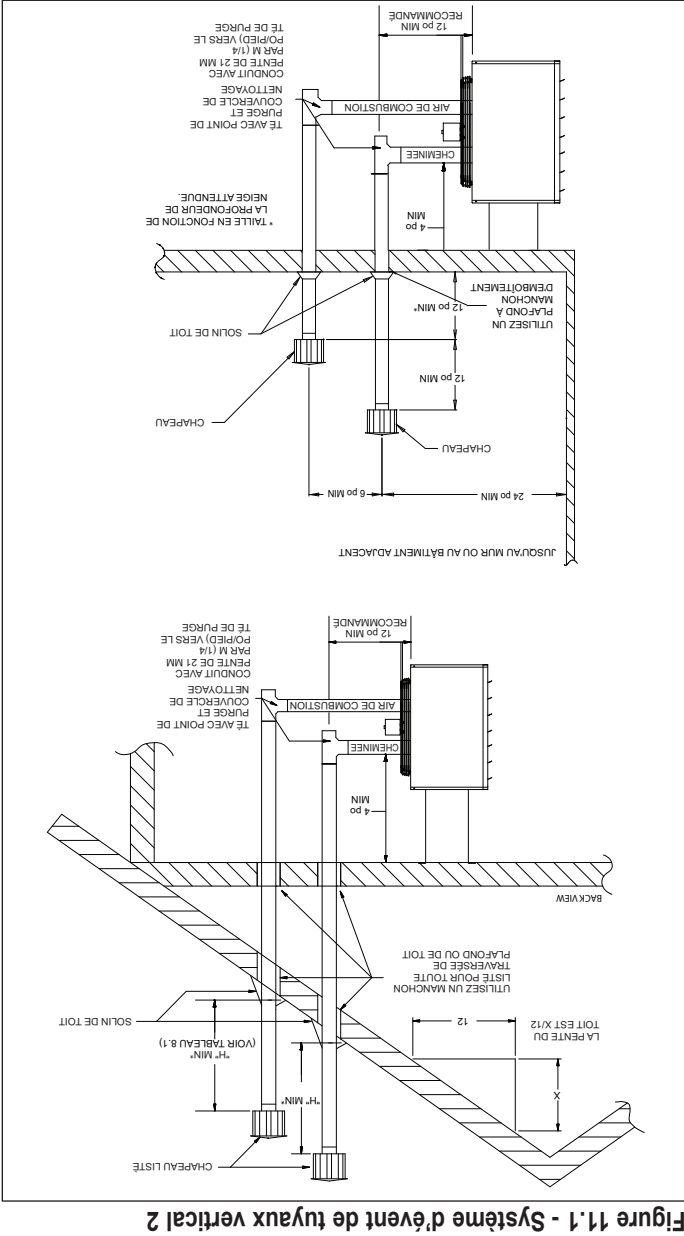


Figure 11.1 - Système d'événement de tuyaux vertical 2

Section C - Événement horizontal seulement, Instructions de ventilation du système d'événements de catégorie III

C1. Cette section s'applique aux systèmes d'évacuation horizontale de catégorie III et complète les prescriptions de la section A – Instructions générales – Tous modèles.

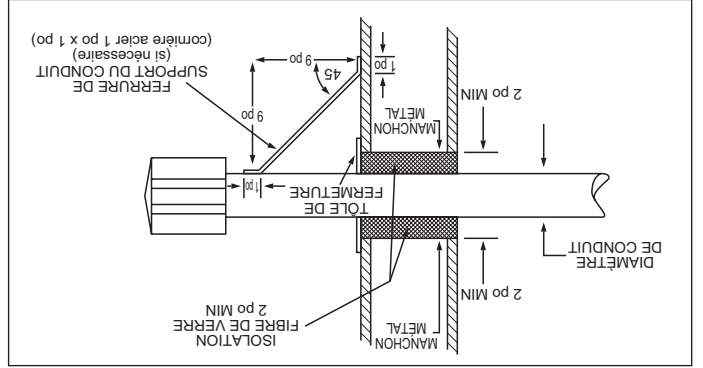
C2. Conduit horizontal débouchant horizontalement (sur le côté du bâtiment).

C3. Sceller toutes les coupures et les joints des tuyaux à paroi simple non étanches avec du ruban métallique ou Silastic pour des températures allant jusqu'à 205 °C (400 °F). Pour les systèmes d'évacuation à simple paroi, une section continue de tuyau d'évacuation à double paroi peut être utilisée dans le système d'évacuation pour la traversée du mur jusqu'au chapeau d'évacuation. Il est interdit d'accoupler deux longueurs de tuyau à double paroi dans une même installation d'évacuation horizontale à cause de l'impossibilité de vérifier l'étanchéité des raccords du tuyau intérieur. Les systèmes de ventilation de catégorie III énumérés par une agence reconnue à l'échelle nationale et correspondant aux diamètres spécifiés peuvent être utilisés. Différentes marques de tuyau matériaux mur extérieur, comme illustré à la figure 10.1. La cheminée doit être soutenue pour éviter la dégradation des matériaux de couverture par les produits de combustion.

C4. Tous les systèmes d'évacuation horizontale de catégorie III doivent être terminés avec un chapeau de cheminée listé. Le chapeau doit se terminer à une distance minimum de 12 po au-delà de la surface du mur extérieur, comme illustré à la figure 10.1. Des précautions doivent être prises pour éviter la dégradation des matériaux de couverture par les produits de combustion.

C5. Si la condensation risque d'être un problème, le système d'évacuation ne doit pas déboucher au-dessus d'une voie publique ou d'une zone où le condensat ou la vapeur pourrait créer une nuisance ou un danger, ou pourrait affecter le fonctionnement de régulateurs ou d'évents, ou autres équipements.

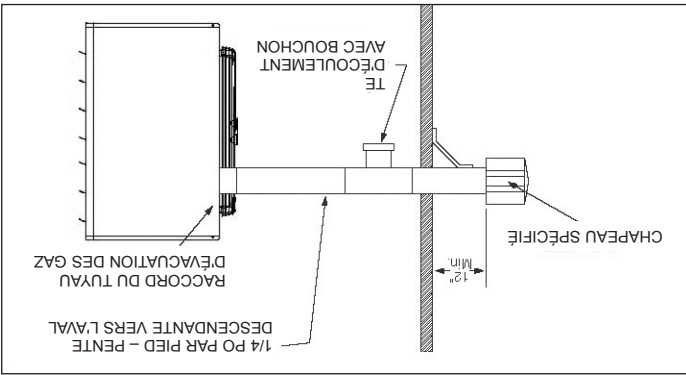
Figure 10.1 - Construction d'une traversée à paroi combustible et support de cheminée



C6. Le système d'évacuation ne doit pas desservir plus d'un appareil de chauffage et ne doit pas servir à d'autres fins.

C7. Pour une évacuation horizontale, il faut maintenir une pente montante de 21 mm par mètre (1/4 po par pied) vers l'aval et placer un té d'égoûttement avec bouchon de nettoyage, comme illustré à la figure 10.2. Sous réserve de l'accord des autorités locales, une pente de 21 mm par mètre (1/4 po par pied) vers l'aval est acceptable avec un té d'égoûttement avec bouchon de nettoyage près de la sortie, comme illustré à la figure 10.2, ou encore un écoulement direct du condensat au bout du tuyau.

Figure 10.2 - Ventilation horizontale



C8. Dans le cas d'un chapeau de cheminée situé sous un avant-toit, la distance du porte-à-faux ne doit pas dépasser 61 cm (24 po). Les dégagements par rapport aux surfaces combustibles d'un conduit d'évacuation extérieur doivent être de 30 cm (12 po) au minimum. Consultez le National Fuel Gas Code pour les exigences additionnelles relatives aux avant-toits ayant des ouvertures de ventilation.

C9. Une fois l'installation du système d'évacuation terminée, passez à la section intitulée « Installation – Raccordements de gaz ».

INSTALLATION – ÉVACUATION

Section B - Événement vertical seulement, Instructions de ventilation du système d'événements de catégorie I

B1. Cette section s'applique aux systèmes d'évacuation verticale de catégorie I et complète les prescriptions de la section A – Instructions générales – Tous modèles.

B2. Les systèmes à évacuation verticale se terminent verticalement et leurs dimensions doivent être conformes au National Fuel Gas Code, ANSI Z223.1 (NFPA 54) – dernière édition.

B3. La partie horizontale du conduit ne doit pas dépasser 75 % de la hauteur verticale (exemple : Si la hauteur est 3 m (10 pi), la partie horizontale ne doit pas dépasser 2,3 m (7,5 pi)).

B4. Il est recommandé de toujours poser un té dont la branche verticale munie d'un bouchon servira à collecter les liquides, comme sur la figure 9.1.

B5. Le niveau de l'orifice de sortie doit être à au moins 1,5 m (5 pi) au-dessus du raccord de l'appareil.

B6. Tous les appareils de chauffage à évacuation verticale de catégorie I doivent être raccordés à un système d'évacuation conforme à une norme reconnue, doublée d'un matériau intérieur approuvé par l'autorité compétente. L'évacuation vers une cheminée en maçonnerie n'est pas permise. Pour les instructions d'évacuation commune, reportez-vous au National Fuel Gas Code, ANSI Z223.1 (NFPA 54) – dernière édition.

B7. Utilisez un chapeau de cheminée approuvé pour réduire le refoulement de tirage et l'entrée d'eau de pluie dans le tuyau.

B8. Il est recommandé d'utiliser des tuyaux à double paroi, bien que les tuyaux à simple paroi soient permis si les prescriptions du National Fuel Gas Code sont observées.

B9. Les conduits verticaux doivent se terminer à des distances horizontales et verticales minimales des lignes de toiture et des murs ou obstacles adjacents. Ces distances minimales sont les suivantes (selon les exigences du National Fuel Gas Code pour des diamètres de conduit inférieures à 12 po) :

• Pour des conduits d'évacuation à double paroi et une distance horizontale de moins de 8 pi de tout mur vertical ou obstacle similaire, le conduit doit se terminer à au moins 2 pi au-dessus du point le plus haut de sa traversée du toit et à au moins 2 pi au-dessus de toute partie horizontale du bâtiment dans un rayon de 10 pi (voir la figure 9.1).

• Pour des conduits d'évacuation à simple paroi débouchant à une distance horizontale de 10 pi ou plus d'une partie quelconque d'un bâtiment, le conduit doit se prolonger sur au moins 2 pi au-dessus du point le plus haut où le conduit sort du toit et à 2 pi au-dessus de toute partie du bâtiment située dans un rayon horizontal de 10 pi.

• Pour des conduits d'évacuation à simple paroi débouchant à moins de 10 pi horizontalement de toute partie du bâtiment, le conduit doit se terminer à 2 pi au-dessus de ladite partie.

• Pour des conduits d'évacuation à double paroi et une distance horizontale de moins de 8 pi de tout mur vertical ou obstacle similaire, le conduit doit se terminer à au moins 2 pi au-dessus du point le plus haut de sa traversée du toit et à au moins 2 pi au-dessus de toute partie horizontale du bâtiment dans un rayon de 10 pi (voir la figure 9.1).

• Pour des conduits d'évacuation à simple paroi débouchant à une distance horizontale de 10 pi ou plus d'une partie quelconque d'un bâtiment, le conduit doit se prolonger sur au moins 2 pi au-dessus du point le plus haut où le conduit sort du toit et à 2 pi au-dessus de toute partie du bâtiment située dans un rayon horizontal de 10 pi.

• Pour des conduits d'évacuation à simple paroi débouchant à moins de 10 pi horizontalement de toute partie du bâtiment, le conduit doit se terminer à 2 pi au-dessus de ladite partie.

• Pour des conduits d'évacuation à simple paroi débouchant à moins de 10 pi horizontalement de toute partie du bâtiment, le conduit doit se terminer à 2 pi au-dessus de ladite partie.

• Pour des conduits d'évacuation à simple paroi débouchant à moins de 10 pi horizontalement de toute partie du bâtiment, le conduit doit se terminer à 2 pi au-dessus de ladite partie.

• Pour des conduits d'évacuation à simple paroi débouchant à moins de 10 pi horizontalement de toute partie du bâtiment, le conduit doit se terminer à 2 pi au-dessus de ladite partie.

• Pour des conduits d'évacuation à simple paroi débouchant à moins de 10 pi horizontalement de toute partie du bâtiment, le conduit doit se terminer à 2 pi au-dessus de ladite partie.

• Pour des conduits d'évacuation à simple paroi débouchant à moins de 10 pi horizontalement de toute partie du bâtiment, le conduit doit se terminer à 2 pi au-dessus de ladite partie.

• Pour des conduits d'évacuation à simple paroi débouchant à moins de 10 pi horizontalement de toute partie du bâtiment, le conduit doit se terminer à 2 pi au-dessus de ladite partie.

• Pour des conduits d'évacuation à simple paroi débouchant à moins de 10 pi horizontalement de toute partie du bâtiment, le conduit doit se terminer à 2 pi au-dessus de ladite partie.

Hauteur X (po)	Pente du toit	Hauteur min. H (pi) ①
0-6	Plat à 6/12	1
6-7	6/12 à 7/12	1,25
7-8	7/12 à 8/12	1,50
8-9	8/12 à 9/12	2
9-10	9/12 à 10/12	2,50
10-11	10/12 à 11/12	3,25
11-12	11/12 à 12/12	4
12-14	12/12 à 14/12	5
14-16	14/12 à 16/12	6
16-18	16/12 à 18/12	7
18-20	18/12 à 20/12	7,50
20-21	20/12 à 21/12	8

① Il faut tenir compte de la couche de neige prévisible.

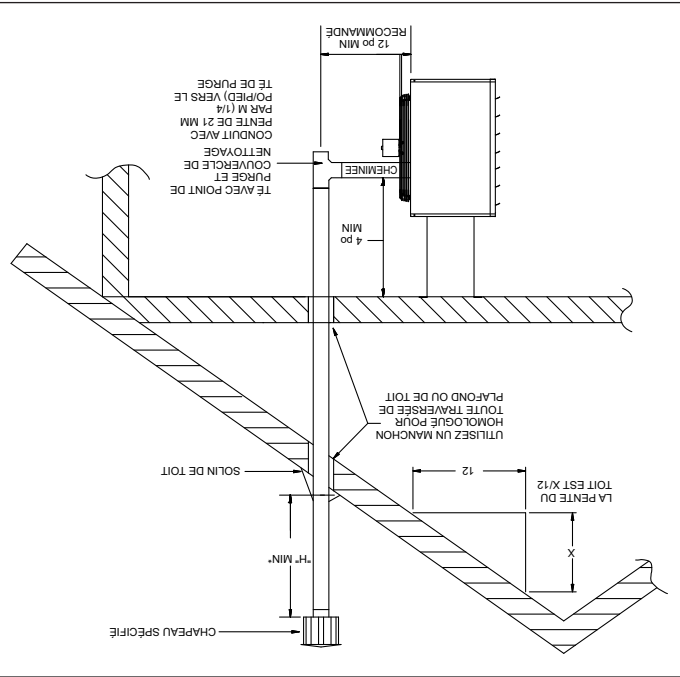


Figure 9.1 - Système de ventilation verticale de catégorie I

Tableau 9.1 - Hauteur minimale de l'orifice de sortie le plus bas au-dessus du toit

A22. Cette unité peut être installée avec ou sans le tuyau d'admission d'air de combustion. L'utilisation du tuyau d'aération ne permet qu'une plus grande longueur maximale d'évent, mais n'est pas considérée comme une « combustion séparée » parce que l'air de combustion provient de l'intérieur. L'utilisation d'un tuyau d'air de combustion et d'un tuyau d'aération est considérée comme une « combustion séparée » et nécessite un événement maximal plus court. Outre ces instructions générales, vous devez également suivre les instructions concernant les systèmes d'évacuation des gaz verticaux et horizontaux dans les configurations « 2 tuyaux » ou « concentré » dans le tableau 8.1.

Tableau 8.1 - Exigences ANSI pour les conduits d'évacuation des appareils de chauffage

Nombre de tuyaux (horizontaux ou verticaux)	Catégorie	Description	Exigences d'évacuation
Tuyau d'aération vertical seulement	I	Pression d'évacuation négative sans condensation	Suivez les exigences d'évacuation standard.
Ne s'applique pas à ce produit	II	Pression d'évacuation négative avec condensation	Le condensat doit pouvoir s'égoutter.
Évent horizontal, les deux systèmes de tuyaux	III	Pression d'évacuation positive sans condensation	Le conduit d'évacuation doit être étanche aux gaz.
Ne s'applique pas à ce produit	IV	Pression d'évacuation positive avec condensation	Le tuyau d'évacuation doit être étanche aux liquides et aux gaz. Le condensat doit pouvoir s'égoutter.

Remarque: Les tuyaux de raccordement desservant des appareils de catégorie I ne doivent pas être reliés à une partie d'un système d'évacuation à tirage mécanique fonctionnant avec une pression positive.

- Conduit horizontal débouchant horizontalement (sur le côté du bâtiment) (exemple à la figure 10.1).
 - Un système d'évacuation qui se termine verticalement, mais comporte une partie horizontale de plus de 75 % de sa hauteur verticale est considéré comme horizontal.
 - Les configurations d'évacuation horizontales appartiennent à la catégorie III. Des exigences supplémentaires sont traitées à la Section C – Installation de système d'évacuation horizontale de catégorie III.
 - Si le système d'évents à installer répond à TOUTS ces critères, passez à la Section C - Événement horizontal seulement, instructions de ventilation du système d'évent de catégorie III.
- Évent vertical seulement - Détermination de l'évent de catégorie I (combustion non séparée)**
- Conduit vertical débouchant verticalement (vers le haut) (exemple à la figure 9.1).
 - La partie horizontale du circuit ne doit pas dépasser 75 % de la hauteur verticale (Exemple : Si la hauteur est 3 m (10 pi), la partie horizontale ne doit pas dépasser 2,3 m (7,5 pi).
 - Le niveau de la sortie du système d'évacuation doit être à au moins 1,5 m (5 pi) au-dessus du raccord de l'appareil.
- Si le système d'évents à installer répond à tous ces critères, passez à « Section B - Événement vertical seulement, instructions de ventilation du système d'évents de catégorie I ».
- Évent horizontal seulement - Détermination De La Catégorie III (Combustion Non Séparée)**
- Conduit horizontal débouchant horizontalement (sur le côté du bâtiment) (exemple à la figure 11.1).
 - Déterminez comme suit la configuration d'évacuation :

Air et événement de combustion horizontaux - Détermination du système d'évents de catégorie III (combustion séparée)

- Conduit horizontal débouchant horizontalement (sur le côté du bâtiment) (exemple à la figure 12.1).
 - Déterminez comme suit la configuration d'évacuation :
- > Pour deux pénétrations de bâtiment à travers un mur ou le toit (l'une pour le tuyau de prise d'air de combustion, l'autre pour le tuyau d'évacuation des gaz), passez à « Section E - Air et événement de combustion horizontale - Catégorie III (combustion séparée) ».
- > Pour une pénétration de bâtiment plus importante à travers un mur ou le toit, à travers laquelle passent à la fois le tuyau de prise d'air de combustion et le tuyau d'évacuation des gaz, passez à « Section F - Systèmes d'air et d'évents à combustion horizontale ou verticale utilisant un événement concentré - Détermination du système d'évents de catégorie III (combustion séparée) ».

Air et événement de combustion verticale - Détermination des événements de catégorie III (combustion séparée)

- Conduit vertical débouchant verticalement (vers le haut) (exemple à la figure 11.1).
 - Déterminez comme suit la configuration d'évacuation :
- > Pour deux pénétrations de bâtiment à travers un mur ou le toit (l'une pour le tuyau de prise d'air de combustion, l'autre pour le tuyau d'évacuation des gaz), passez à « Section D Air et événement de combustion verticale - Catégorie III (combustion séparée) ».
- > Pour une pénétration de bâtiment plus importante à travers un mur ou le toit, à travers laquelle passent à la fois le tuyau de prise d'air de combustion et le tuyau d'évacuation des gaz, passez à « Section F - Systèmes d'air et d'évents à combustion horizontale ou verticale utilisant un événement concentré - Détermination du système d'évents de catégorie III (combustion séparée) ».

Air et événement de combustion horizontaux - Détermination du système d'évents de catégorie III (combustion séparée)

- Conduit horizontal débouchant horizontalement (sur le côté du bâtiment) (exemple à la figure 12.1).
 - Déterminez comme suit la configuration d'évacuation :
- > Pour deux pénétrations de bâtiment à travers un mur ou le toit (l'une pour le tuyau de prise d'air de combustion, l'autre pour le tuyau d'évacuation des gaz), passez à « Section E - Air et événement de combustion horizontale - Catégorie III (combustion séparée) ».
- > Pour une pénétration de bâtiment plus importante à travers un mur ou le toit, à travers laquelle passent à la fois le tuyau de prise d'air de combustion et le tuyau d'évacuation des gaz, passez à « Section F - Systèmes d'air et d'évents à combustion horizontale ou verticale utilisant un événement concentré - Détermination du système d'évents de catégorie III (combustion séparée) ».

INSTALLATION – ÉVACUATION

- A8. Évitez de faire passer la cheminée à travers un espace non chauffé, dans la mesure du possible. Si le tuyau traverse un espace non chauffé ou si l'appareil est installé dans un environnement propice à la condensation, il faudra isoler toute longueur de tuyau de plus de 5 pi afin de minimiser la condensation. Assurez-vous qu'il n'y a pas de fuites et utilisez un isolant non combustible avec un indice non inférieur à 205°C (400°F). Installez un raccord en té au point bas du système de ventilation en utilisant un collecteur de condensats avec un bouchon de nettoyage, comme illustré à la figure 9.1.
- A9. Si le tuyau traverse une cloison INTÉRIEURE ou un plancher combustible, la traversée doit être munie d'un manchon métallique d'un diamètre supérieur de 10 cm (4 po) à celui du tuyau. Si le tuyau situé entre l'appareil et la traversée du mur ou du plancher a une longueur supérieure à 1,8 m (6 pi), le manchon peut avoir un diamètre de 5 cm (2 po) seulement de plus que le tuyau. S'il n'y a pas de manchon de traversée, tous les matériaux combustibles doivent être découpés pour assurer un dégagement d'au moins 15 cm (6 po) tout autour du tuyau. Sous réserve de l'accord des autorités compétentes locales, une évacuation de type B peut être utilisée comme dernier tronçon du conduit d'évacuation pour maintenir un dégagement par rapport aux combustibles lors du passage à travers le mur ou le plancher (voir la figure 6.1). Tout matériau utilisé pour boucher cette ouverture doit être incombustible. A10. Sceller toutes les coupures et les joints des tuyaux à paroi simple non étanches avec du ruban métallique ou Silastic pour des températures allant jusqu'à 205°C (400°F). Le ruban doit être enroulé deux fois autour du tuyau. Une section continue de tuyau d'évacuation à double paroi peut être utilisée dans le système d'évacuation pour la traversée du mur jusqu'au chapeau d'évacuation listé. Voir le point A12 de la section A – Instructions générales – Tous modèles pour les transitions entre double paroi et simple paroi.
- A11. Instructions générales pour l'installation du tuyau de chapeau à double paroi (type B) :
- Raccordement d'un chapeau de cheminée à paroi simple à un tuyau d'évacuation à double paroi (type B) :
1. Recherchez la flèche « de sens » sur le tuyau d'évacuation.
 2. Fixez le chapeau de cheminée à l'extrémité du tuyau d'évacuation à double paroi.
 3. Percez (3) avant-trous à travers le tuyau et le chapeau de cheminée. Utilisez des vis à tête de 3/4 po pour fixer le chapeau au tuyau. Ne serrez pas trop.

Taille de modèle	Réf. Modèle
250-400	5H0722850001
150-200	5H0722850001

Tableau 7.2 - Chapeaux de cheminée

- A12. Dégagements de terminaison de l'évent, comme le montre le tableau 7.1
- A13. Cet appareil ne doit PAS être relié à une cheminée en maçonnerie A14. N'utilisez PAS de registres ni d'autres accessoires dans les conduits d'évacuation ou d'air de combustion.
- A15. Le système d'évacuation doit être exclusif à un seul appareil et aucun autre appareil ne doit être ventilé par son truchement.
- A16. Des précautions doivent être prises pour éviter la dégradation des matériaux de couverture par les produits de combustion.
- A17. Un tuyau d'évacuation à simple paroi ne doit pas traverser un grenier inoccupé, une cloison, un vide de construction ou un plancher. Dans les régions où la température d'hiver utilisée pour le calcul à 99 % est inférieure à 0 °C (32 °F), il n'est pas permis d'utiliser des tuyaux simples pour l'évacuation à l'extérieur des gaz de combustion.
- A19. Dans les climats très froids, si le tuyau horizontal ou vertical d'air de combustion est très long, il faudra parfois l'isoler pour éviter la condensation sur l'extérieur du tuyau dans les zones climatisées. A20. Les tuyaux verticaux d'air de combustion doivent être munis d'un té avec point de purge et regard de nettoyage pour recueillir l'humidité de l'air avant son entrée dans l'appareil de chauffage. Le collecteur de condensat doit être régulièrement inspecté et nettoyé au cours de la saison de chauffage.
- A21. Le chapeau de cheminée doit être :

Tableau 7.1 - Des renseignements sur les dégagements de terminaison des événements

L'évent doit se terminer:	Structure de l'organisation	Étalon de référence
3 pieds au-dessus	Entrée d'air forcé dans un rayon de 10' (États-Unis)	NFPA 54
6 pieds dans toutes les directions	Entrée d'air forcé (Canada)	CSA B149.1
3 pieds dans toutes les directions	Entrée d'air de combustion d'un autre appareil	CSA B149.1
4 pieds au-dessus, 4 pieds à l'horizontale ou 1 pied au-dessus	Fenêtre de porte, entrée d'air par gravité ou toute ouverture de bâtiment (États-Unis)	NFPA 54
3 pieds dans toutes les directions	Fenêtre de porte, entrée d'air par gravité ou ouverture d'un bâtiment (Canada)	CSA B149.1
3 pieds horizontaux ①	Compteur d'énergie électrique, compteur de gaz, régulateur de gaz et équipement de secours	CSA B149.1
3 pieds dans toutes les directions	Bâtiment adjacent, bâtiment adjacent ou mur de parapet	Modine
7 pieds dans toutes les directions	Passerelles publiques adjacentes	NFPA 54/CSA B149.1
1 pied au-dessus	Grade (rez-de-chaussée)	NFPA 54/CSA B149.1
1 pied en dessous ou 1 pied au-delà	Avant-toit avec porte-à-faux de 24 pouces ou moins	Modine
3 pieds en dessous ou 1 pied au-delà	Avant-toit avec un porte-à-faux de plus de 24 pouces	Modine

① L'évent ne doit pas déboucher au-dessus d'un compteur ou d'un régulateur de gaz. Les recommandations fondées sur la norme CSA B149.1 et la norme NFPA 54. La ventilation doit être conforme à la révision en vigueur applicable des codes d'installation locaux et nationaux.

⚠ AVERTISSEMENT

1. Un système d'évacuation est obligatoire pour les appareils de chauffage au gaz – ne les faites jamais fonctionner sans évacuation des gaz.

2. Un extracteur intégré assure la circulation des gaz – il est inutile ou interdit d'installer un dispositif d'extraction externe supplémentaire.

3. Si un appareil de chauffage existant est remplacé, vous devrez peut-être redimensionner les systèmes d'évacuation des gaz. Un système de ventilation de diamètre insuffisant peut causer des retoulements de gaz brûlés ou la formation de condensat. Reportez-vous au National Fuel Gas Code ANSI Z223.1 (NFPA 54) ou à la dernière édition de la norme CSA B149.1. Le non-respect de ces instructions peut se solder par des blessures graves, voire mortelles.

4. Il est interdit d'accoupler deux longueurs de tuyau à double paroi dans une même installation d'évacuation horizontale à cause de l'impossibilité de vérifier l'étanchéité des raccords du tuyau intérieur.

⚠ ATTENTION

L'installation doit se faire conformément aux codes locaux de la construction ou, à défaut de tels codes, conformément à la Partie 7 « Venting of Equipment » du National Fuel Gas Code, ANSI Z223.1 (NFPA 54) – dernière édition. Au Canada, l'installation doit se faire conformément à la norme CSA B149.1.

Le circuit d'évacuation du modèle PTX/BTX doit être conforme aux descriptions des présentes instructions pour conduire les gaz de combustion de l'appareil ou de son raccord de sortie vers l'atmosphère extérieure. Les appareils de chauffage doivent également avoir un tuyau de prise d'air de combustion séparé pour un apport d'air frais provenant de l'atmosphère extérieure pour la combustion.

Les instructions d'évacuation sont organisées en sections, selon le type d'installation. Ces sections sont identifiées de la manière suivante :

Section	Instructions d'installation applicables par type de système d'évacuation
A	Instructions générales applicables à TOUTES les installations
B	Systèmes d'évents VERTICAUX DE CATÉGORIE I
C	Systèmes d'évents HORIZONTALS DE CATÉGORIE III
D	Systèmes d'évents VERTICAUX DE TUYAUX 2
E	Systèmes d'évents HORIZONTALS DE TUYAUX 2
F	Systèmes d'évents CONCENTRIQUES HORIZONTALS ET VERTICAUX

① Les différences entre les systèmes d'évents verticaux et horizontaux seront identifiées dans la Section A - Instructions générales - Toutes les unités.

Section A – Instructions générales – Tous modèles

A1. Si l'appareil que vous installez remplace un équipement existant et utilise le même système d'évacuation, inspectez le système d'évacuation pour vérifier que les diamètres et la pente des tuyaux sont conformes aux exigences du National Fuel Gas Code ANSI Z223.1 (NFPA 54) ou du code d'installation CSA B149.1, dernière édition, et aux présentes instructions. Déterminez s'il n'y a pas d'obstructions, de restriction, de fuite, de corrosion ou d'autres déficiences pouvant créer un risque.

A2. Le tuyau d'évacuation des gaz doit être un tuyau en acier galvanisé ou autre matière résistante bien à la corrosion. L'épaisseur minimale du conduit d'évacuation est spécifiée dans le National Fuel Gas Code. L'épaisseur minimale des raccords dépend du diamètre du tuyau. N'utilisez jamais des tuyaux de cheminée en PVC ou autres types de plastique.

A3. Tous les appareils de chauffage sont fournis avec des adaptateurs de cheminée et d'air de combustion permettant d'attacher le tuyau à l'appareil de chauffage (tableau 6.1). Attachez le tuyau d'évacuation 6-534.1

Tableau 6.1 - Diamètres de tuyau d'évacuation, transitions et longueurs de tuyau d'évacuation équivalentes totales pour les systèmes d'évacuation horizontaux

Longueur de tuyau d'évacuation équivalente	Diamètre de conduit d'évacuation		Taille du modèle
	Minimum	Maximum	
250-400	3 pi	6 po	150
	3 pi	4 po	175-200
175-200	3 pi	3 pi	150
	5 pi	5 pi	175-200
150	3 pi	4 po	150
	5 pi	5 pi	175-200
75-100	3 pi	3 pi	150
	5 pi	5 pi	175-200
50-75	3 pi	3 pi	150
	5 pi	5 pi	175-200

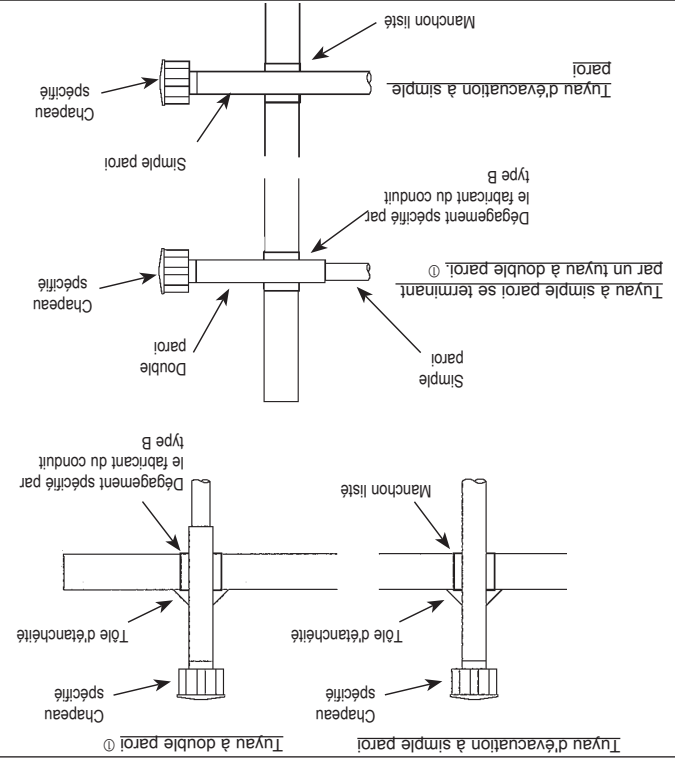
A4. Pour les longueurs totales de tuyau d'évacuation équivalentes, en créant le système d'évacuation le plus droit possible, voir le tableau 6.1. La longueur équivalente d'un coude de 10 cm est de 1,5 m, et de 2,1 m pour un coude de 15,2 cm.

A5. Les sections horizontales du tuyau d'évent doivent être installées avec une pente ascendante de l'appareil de 1/4 de pouce par pied et doivent être suspendues de manière sécurisée à des structures suspendues à des points ne dépassant pas 3 pi.

A6. Les tuyaux doivent être fixés les uns aux autres par au moins 3 vis à tôle anticorrosion.

A7. Les tuyaux à simple paroi doivent être éloignés d'au moins 15 cm (6 po) des surfaces combustibles. Pour des tuyaux à double paroi, suivez les instructions du fabricant en matière de dégagement. La température minimum des matières combustibles dépend de la température de surface de la matière combustible ne devant pas dépasser 160 °F. Il est possible que la distance par rapport au tuyau de ventilation (ou au haut de l'appareil) doit être augmentée à plus de 15 cm (6 po) si la chaleur risque de causer des dommages autre que le feu (comme des déformations ou une altération de couleur).

Figure 6.1 - Cheminée traversant un mur ou un toit combustible



① Consultez les instructions A12 pour savoir comment attacher un tuyau à simple paroi à un tuyau à double paroi.

ATTENTION

1. N'installez pas les appareils à moins de 7 pi (distance mesurée entre le bas de l'appareil et le sol dans les applications commerciales), sauf s'ils sont équipés de barrières adéquates pour protéger l'utilisateur des composants en mouvement.
2. Vérifiez qu'il n'y a pas d'obstacle devant la prise d'air et la sortie d'air chaud.
3. La distance minimum des matériaux combustibles dépend de la température de surface du matériau combustible ne dépassant pas 160 °F. Au-dessus de l'appareil, il faudra peut-être laisser un dégagement supérieur au minimum spécifié si des matériaux placés au-dessus de l'appareil à la température indiquée risquent de subir des dommages thermiques, autres que le feu.
4. Prévoyez un dégagement de 18 po à l'arrière (ou de 12 po au-delà de l'extrémité du moteur, à l'arrière de l'appareil, selon la plus grande des deux valeurs), et du côté de la porte d'accès pour assurer assez d'air au bon fonctionnement du ventilateur.

1. Assurez-vous que les pièces de suspension peuvent supporter le poids de l'appareil (voir la pages 28 et 29 pour les poids).
2. Pour bien fonctionner, l'appareil doit être installé à l'horizontale.
3. Les distances aux matériaux combustibles comme spécifié au tableau 4.1 doivent être strictement maintenues.
4. Tous les modèles de série sont expédiés en boîte. Les modèles de taille supérieure sont également fournis avec une plate-forme de soutien au fond de la boîte. Les plus grands modèles pourront être soulevés par en dessous à l'aide d'un chariot élévateur à fourches ou d'un autre appareil de levage, uniquement si la plate-forme de soutien reste en place et que les fourches soutiennent l'appareil sur toute sa profondeur. Si l'appareil doit être soulevé par en dessous pour l'installation finale sans le carton en place, veillez à soutenir correctement l'appareil sur toute sa longueur et sa largeur pour éviter de l'endommager. Lorsque vous soulevez les appareils, assurez-vous que la charge est équilibrée.
5. Les modèles à hélice ont quatre trous de montage. Les modèles peuvent être montés avec une tige filetée de 3/8 po-16 comme suit :
 - Sur chaque section de tige filetée utilisée, vissez un écrou sur une distance de 1 po environ sur l'extrémité des tiges filetées qui seront vissées sur l'appareil de chauffage.
 - Placez une rondelle sur l'extrémité de la tige filetée et vissez la tige filetée sur les écrous à souder de l'appareil de chauffage sur le dessus de l'appareil de chauffage en donnant 5 tours minimum, mais pas plus de 10. Serrez le premier écrou installé sur la tige filetée pour éviter la rotation de la tige.
 - Percez des trous dans un canal en acier ou une cornière aux mêmes dimensions de ligne centrale que l'appareil de chauffage en cours d'installation. Les canaux en acier ou cornières devront être attachés aux éléments de structure appropriés.
 - Coupez les tiges filetées à la longueur voulue, enfitez-les dans les trous du canal en acier ou de la cornière, puis fixez par des rondelles et des contre-écrous ou des rondelles d'arrêt et des écrous. Une configuration à double écrou peut être utilisée ici plutôt qu'au niveau de l'appareil de chauffage (un double écrou peut être utilisé aux deux endroits, mais ce n'est pas une obligation).
 - N'installez pas les appareils de chauffage de série au-dessus de la hauteur d'installation maximum indiquée au tableaux 26.1 ou 26.2.

REMARQUE : Un kit d'adaptateur pour suspension de tuyau, illustré à la figure 5.3, est fourni, disponible en accessoire. Un kit comprend des trous de 3/4 " Bouchons de tuyaux IPS et vis à tête 3/8 " - 16 x 1-3 / 4 " pour la facilité tube de suspension fileté.

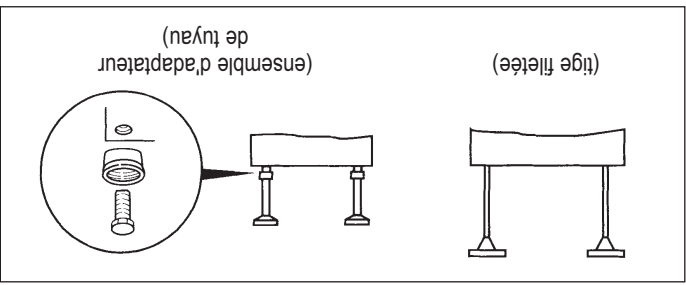


Figure 5.1 - Méthodes de suspension des appareils de chauffage

EMPLACEMENT D'INSTALLATION

EMPLACEMENT D'INSTALLATION

! DANGER

Les appareils ne doivent pas être installés à un endroit où ils risquent d'être exposés à une atmosphère potentiellement explosive ou inflammable.

! ATTENTION

1. Les dégagements aux matériaux combustibles sont essentiels. Assurez-vous de suivre toutes les exigences mentionnées.
2. Les appareils de chauffage sont conçus pour être utilisés dans des applications où la température ambiante de départ est comprise entre -40 et 90 ° F et la température ambiante de fonctionnement entre 40 et 90 ° F.
3. L'appareil n'est pas conçu pour être installé à l'extérieur.
4. Dans les garages ou dans certaines parties des hangars d'aviation, comme les bureaux et les ateliers qui communiquent avec des endroits réservés à l'entretien ou à l'entreposage, le bas de l'appareil doit être placé à au moins 7 pi du sol, sauf si des protections adéquates sont installées pour protéger convenablement l'appareil. Dans les stationnements, l'appareil doit être installé conformément à la norme relative aux structures de stationnement ANSI/NFPA 88A (dernière édition), et dans les garages de réparation, conformément à la norme NFPA 30A (dernière édition) (ex-NFPA 88B). Au Canada, l'installation d'appareils de chauffage dans des hangars d'aviation doit être effectuée conformément aux exigences de l'autorité de réglementation et, dans les garages publics, conformément aux codes courants CSA B149.
5. Dans un hangar d'aviation, le bas de l'appareil doit être à au moins 10 pi au-dessus de la plus haute surface des ailes ou d'un capot moteur, pour l'avion le plus haut que le hangar accueille et doit respecter les prescriptions de l'autorité de réglementation et/ou de la norme NFPA 409 – dernière édition.
6. Si l'appareil est installé dans un environnement très humide ou salin, il sera soumis à une corrosion accélérée qui réduira sa durée de vie normale.

1. Les facteurs à considérer pour le choix de l'emplacement de l'appareil de chauffage sont les distances prescrites et les besoins de chauffage, l'endroit où se trouve l'arrivée du gaz et l'entrée électrique, ainsi que la proximité des conduits d'évacuation.
2. Lors du choix de l'emplacement d'installation, il est important de prendre en considération le raccordement de la tuyauterie d'évacuation vers l'atmosphère extérieure. Les longueurs de tuyauterie d'évacuation équivalentes maximums apparaissent à « Section A – Instructions générales – tous modèles » des instructions d'évacuation des gaz.
3. Assurez-vous que le support de l'appareil est assez solide pour porter son poids. Pour les poids, reportez-vous à la pages 28 et 29. Pour bien fonctionner, l'appareil doit être installé à l'horizontale.
4. N'installez pas l'appareil à un endroit où ses gaz brûlés pourraient être aspirés à l'intérieur d'un édifice voisin par une fenêtre, une prise d'air frais, etc.
5. Veillez à respecter les distances minimums des matériaux combustibles et les dégagements recommandés pour maintenance. Les distances d'installation et les dégagements minimums sont indiqués à la figure 4.1 et au tableau 4.1.

IMPORTANT

Pour éviter la panne prématurée de l'échangeur de chaleur, ne placez AUCUN appareil à gaz à des endroits où des vapeurs corrosives (chlorées, halogénées ou acides) sont présentes.

Figure 4.1 - Matières combustibles et dégagements

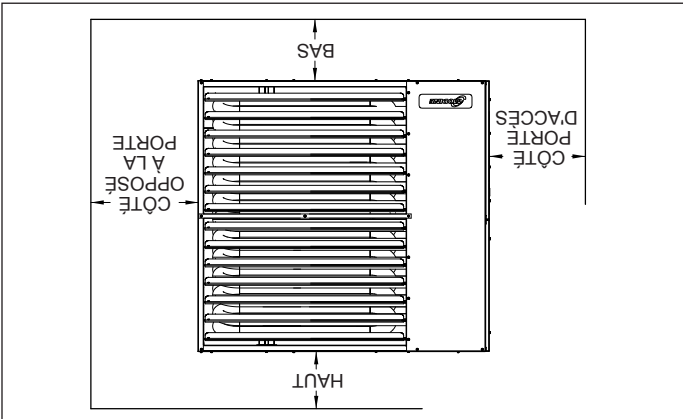


Tableau 4.1 - Dégagements

Côté appareil	Distance minimum des matières combustibles	Dégagement recommandé pour la maintenance
Haut et bas	6 po	18 po
Côté porte d'accès	6 po	18 po
Côté opposé à la porte	6 po	18 po
Arrière	18 po	18 po
Raccord évacuation	6 po	18 po

6. N'installez pas les appareils à un endroit où le système d'allumage au gaz serait exposé à un brouillard d'eau, à la pluie ou à un goutte-à-goutte.
7. La hauteur de montage (mesurée du bas de l'appareil) est un aspect critique de l'installation. Pour les hauteurs de montage et les portées de chauffage, reportez-vous à la page 26 de ce manuel. La hauteur de montage maximale est le niveau pour lequel l'air chaud de l'appareil n'atteint plus le plancher.

Niveaux sonores et de vibrations

Tout équipement mécanique standard génère bruit et vibrations pouvant exiger une atténuation. Les bibliothèques, les bureaux privés et les hôpitaux exigent une atténuation acoustique supplémentaire, et dans ce cas, un consultant en acoustique devra être engagé pour vous faciliter la tâche. L'éloignement de l'équipement de la zone critique est souhaitable dans les limites imposées par les gaines. Généralement, l'appareil doit être placé dans un rayon de 4,5 m d'un bras support principal. De légères déviations diminueront généralement la transmission de vibrations et de bruit.

PRÉCAUTIONS PARTICULIÈRES / FACTEURS DE CONVERSION SI (SYSTÈME MÉTRIQUE) / EMPLACEMENT D'INSTALLATION

AVANT DE COMMENCER

ATTENTION

1. Toute la documentation livrée avec l'appareil doit être conservée pour référence lors des opérations d'entretien et de diagnostic des panes. Laissez le manuel au propriétaire. Ne jetez aucune documentation fournie avec cet appareil.
2. Étudiez les instructions en matière de tuyauterie, de câblage électrique et d'évacuation des gaz de ce manuel avant d'effectuer l'installation finale.
3. Ne raccordez pas les gaines, les filtres à air ou les faisceaux de tubes à un aérotherme.

- Aux États-Unis, l'installation de ces appareils doit se faire conformément au code « National Fuel Gas Code », ANSI Z223.1, dernière édition (NFPA 54) et aux autres codes du bâtiment locaux applicables. Au Canada, l'installation de ces appareils doit se faire conformément aux codes locaux de la plomberie et des eaux usées, et aux autres codes applicables, ainsi qu'à la version courante du code CSA B149.
1. Toutes les opérations d'installation et d'entretien de ces appareils doivent uniquement être confiées à une entreprise qualifiée, telle que définie dans la dernière édition de la norme ANSI Z223.1 (NFPA 54) ou, au Canada, par un installateur de gaz certifié.
 2. Cet appareil est listé avec le système de commande fourni. Veuillez commander les pièces de rechange d'après la liste de pièces qui se trouve sur la plaque signalétique. Ayez toujours à portée de la main les numéros de modèle et de série. Modifiez et réservez le droit de substituer d'autres commandes listées comme pièces de rechange.
 3. L'appareil est équilibré pour un fonctionnement correct. N'ajoutez pas le ventilateur et ne faites pas tourner les moteurs à des régimes inférieurs à ce qui est stipulé dans ce manuel.
 4. La documentation sur les organes de régulation est fournie séparément.
 5. Le même brûleur convient pour le gaz naturel et pour le propane.

Facteurs de conversion SI (système métrique)

Pour convertir	Multipliez par	Pour obtenir
°F	(°F-32) x 5/9	°C
BTU	1,06	kJ
BTU/pt	37,3	kJ/m ³
BTU/h	0,000293	kW/h
CFM (p/ft ³ /min)	0,000472	m ³ /min
CFH (p/ft ³ /h)	0,00000787	m ³ /s
CFM (p/ft ³ /min)	0,0283	m ³ /min
CFM (p/ft ³ /min)	0,000472	m ³ /s
piéd	0,305	m
Gal/h	0,00379	m ³ /h
Gal/h	3,79	l/h
gallons	3,79	l
cheval-vapeur	746	W
pouces	25,4	mm
livre	0,454	kg
psig	6,89	kPa
psig	27,7	po C.E.

15. La boîte adaptatrice concentrique doit être installée à l'intérieur de la structure ou du bâtiment. Elle n'est pas prévue pour être installée à l'extérieur.
16. La purge de l'air des tuyauteries de gaz doit se faire selon la procédure ANSI Z223.1 (NFPA 54) de la dernière édition du National Fuel Gas Code. Au Canada, l'installation doit se faire selon le code CSA B149.1.
17. Pour l'essai d'étanchéité des tuyauteries d'alimentation en gaz, l'appareil et son régulateur de gaz combiné doivent être isolés pour tout essai fait à une pression dépassant 14 po C.E. (1/2 psi).
18. L'appareil devrait être isolé de la conduite d'alimentation en gaz par la fermeture d'un robinet manuel posé à l'installation. Ce robinet d'arrêt doit être dans un rayon de 6 pi autour de l'appareil.
19. Fermez l'arrivée générale de gaz avant d'installer l'appareil.
20. Assurez-vous que la tension d'alimentation de l'appareil, commandé sur la plaque signalétique, n'est pas inférieure à 5% sous la tension nominale.
21. Mesurez la pression d'entrée du gaz en amont du régulateur de gaz combiné. La pression d'entrée de l'appareil doit être de 6 à 7 po C.E. pour le gaz naturel ou de 11 à 14 po C.E. pour le propane. Si la pression d'entrée est trop élevée, installez un détendeur supplémentaire en amont du régulateur de gaz combiné.
22. L'entretien et les réparations de l'appareil doivent être confiés à un centre de SAV qualifié.
23. N'essayez pas de réutiliser un contrôleur d'allumage mécanique ou électronique qui a été mouillé. Remplacez tout contrôleur défectueux.

ATTENTION

1. Pour éviter la panne prématurée de l'échangeur de chaleur, ne placez AUCUN appareil à gaz à des endroits où des vapeurs corrosives (chlorées, halogénées ou acides) sont présentes dans l'atmosphère.
2. Pour éviter une détérioration prématurée de l'échangeur de chaleur, l'apport calorifique du gaz utilisé ne doit pas dépasser de plus de 5 % la valeur nominale inscrite sur la plaque signalétique de l'appareil.
3. Pour éviter une détérioration prématurée de l'échangeur de chaleur, observez les tubes de l'échangeur. S'ils deviennent rouges pendant que la soufflante et l'appareil de chauffage fonctionnent, assurez-vous que la soufflante a été réglée au régime correct pour l'application. Pour le réglage de la soufflante, reportez-vous à la page 19.
4. Les procédures de mise en service et de réglage doivent être confiées à une entreprise qualifiée pour l'entretien de ces appareils.
5. Consultez l'essentiel des solutions possibles dans le guide de dépannage fourni au tableau 30.1 du manuel.

IMPORTANT

LES INSTRUCTIONS D'INSTALLATION ET D'ENTRETIEN DE CE MANUEL DOIVENT ÊTRE RESPECTÉES POUR ASSURER UN FONCTIONNEMENT SÉCURITAIRE, EFFICACE ET SANS PROBLÈMES. IL CONVIENT ÉGALEMENT DE RESPECTER RIGOREUSEMENT LES PRÉCAUTIONS PARTICULIÈRES INDiquÉES CI-APRÈS. LA NON-CONFORMITÉ À CES PRÉCAUTIONS PRIMORDIALES PEUT CAUSER DES DOMMAGES MATÉRIELS OU DES PERTES, DES BLESSURES OU LA MORT. CES INSTRUCTIONS SONT DONNÉES SOUS RÉSERVE DE DISPOSITIONS PLUS RESTRICTIVES DANS LES CODES LOCAUX OU NATIONAUX.

HIERARCHIE DES NIVEAUX DE RISQUES

- 1. **DANGER:** Indique un danger imminent qui, s'il n'est pas évité, entraînera INÉVITABLEMENT des blessures graves, voire mortelles.
- 2. **AVERTISSEMENT:** Indique un danger potentiel qui, s'il n'est pas évité, POURRAIT engendrer des blessures graves, voire mortelles.
- 3. **ATTENTION:** Indique un danger potentiel qui, s'il n'est pas évité, PEUT engendrer des blessures mineures ou modérées.
- 4. **IMPORTANT:** Indique une situation qui, si elle n'est pas évitée, PEUT poser un problème de sécurité.

! DANGER

Les appareils ne doivent pas être installés à un endroit où ils risquent d'être exposés à une atmosphère potentiellement explosive ou inflammable.

- 1. Un système d'évacuation est obligatoire pour les appareils de chauffage au gaz – ne les faites jamais fonctionner sans évacuation des gaz.
- 2. Un extracteur intégré assure la circulation des gaz – il est inutile ou interdit d'installer un dispositif d'extraction externe supplémentaire.
- 3. Si un appareil de chauffage existant est remplacé, vous devrez peut-être redimensionner les systèmes d'évacuation des gaz. Un système de ventilation de diamètre insuffisant peut causer des refoulements de gaz brûlés ou la formation de condensat. Reportez-vous au National Fuel Gas Code de ANSI Z223.1 (NFPA 54) ou à la dernière édition de la norme CSA B149.1. Le non-respect de ces instructions peut avoir des conséquences graves ou mortelles.
- 4. Il est interdit d'accoupler deux longueurs de tuyau à double paroi dans une même installation d'évacuation horizontale à cause de l'impossibilité de vérifier l'étanchéité des raccords du tuyau intérieur.
- 5. Toutes les tuyauteries de gaz extérieures doivent être soumises à des essais de pression et d'étanchéité avant la mise en marche. Ne recherchez jamais les fuites avec une flamme nue. Utilisez plutôt de l'eau savonneuse ou un produit équivalent.
- 6. La pression de gaz au régulateur de l'appareil ne doit jamais dépasser 14 po C.E. (1/2 psi).
- 7. Pour réduire les risques de condensation, le pouvoir calorifique minimum du gaz (au niveau de la mer) ne doit pas être inférieur de plus de 5 % à la valeur minimale nominale figurant sur la plaque signalétique de l'appareil ou de 5 % à la valeur la plus basse des appareils à double alimentation.
- 8. Débranchez l'alimentation électrique avant de faire les connexions pour éviter les décharges électriques et les dommages à l'équipement.
- 9. Tous les branchements et câblages doivent être faits en stricte conformité avec le schéma fourni avec l'appareil. Tout câblage différent de celui du schéma peut créer des risques de dommages matériels ou de blessures.
- 10. Tout câblage usiné d'origine exigeant un remplacement doit être remplacé par un câble d'indice thermique nominal de 105 °C.
- 11. Assurez-vous que la tension d'alimentation n'est pas supérieure de plus de 5 % à la tension nominale inscrite sur la plaque de l'appareil.

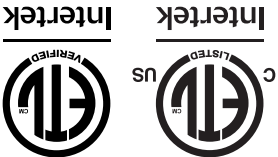
! AVERTISSEMENT

- 12. Pour l'entretien et les réparations de cet appareil, n'utilisez que des pièces approuvées par le fabricant. Pour la liste complète des pièces de rechange, adressez-vous au fabricant. Le numéro de modèle complet, le numéro de série et l'adresse du fabricant figurent sur la plaque signalétique fixée à l'appareil. Toute substitution de pièce ou de commande non approuvée par le fabricant sera aux risques du propriétaire.

! ATTENTION

- 1. Toute la documentation livrée avec l'appareil doit être conservée pour référence lors des opérations d'entretien et de diagnostic des panes. Ne jetez aucune documentation fournie avec cet appareil.
- 2. Étudiez les instructions en matière de tuyauterie, de câblage électrique et d'évacuation des gaz de ce manuel avant d'effectuer l'installation finale.
- 3. Ne raccordez pas les gaines, les filtres à air ou les faisceaux de tubes à un aérotherme.
- 4. Les dégagements par rapport aux matériaux combustibles adjacents sont essentiels. Assurez-vous de respecter toutes les exigences mentionnées.
- 5. Les appareils de chauffage sont conçus pour être utilisés dans des applications où la température ambiante de départ est comprise entre -40 et 90 °F et la température ambiante de fonctionnement entre 40 et 90 °F.
- 6. L'appareil n'est pas conçu pour être installé à l'extérieur.
- 7. Dans les garages ou dans d'autres sections des hangars d'aéronauts, comme les bureaux et les ateliers qui communiquent avec des endroits réservés à l'entretien ou à l'entreposage, le bas de l'appareil doit être placé à au moins 2,13 m (7 pi) du sol, sauf si vous installez aussi des protections adéquates pour éviter les contacts avec des pièces mobiles. Dans les stationnements, l'appareil doit être installé conformément à la norme relative aux structures de stationnement ANSI/NFPA 88A (dernière édition), et dans les garages de réparation, conformément à la norme NFPA 30A (dernière édition) (ex-NFPA 88B). Au Canada, l'installation d'appareils de chauffage dans des hangars d'aviation doit être effectuée conformément aux exigences de l'autorité de réglementation et, dans les garages publics, conformément aux codes courants CSA B149.
- 8. Dans un hangar d'aviation, le bas de l'appareil doit être à au moins 10 pi au-dessus de la plus haute surface des ailes ou d'un capot moteur, pour l'avion le plus haut que le hangar accueille et doit respecter les prescriptions de l'autorité de réglementation et/ou de la norme NFPA 409, dernière édition.
- 9. Si l'appareil est installé dans un environnement très humide ou sailli, il sera soumis à une corrosion accélérée qui réduira sa durée de vie normale.
- 10. N'installez pas les appareils à moins de 7 pi (distance mesurée entre le bas de l'appareil et le sol dans les applications commerciales), sauf s'ils sont équipés de barrières adéquates pour protéger l'utilisateur des composants en mouvement.
- 11. Vérifiez qu'il n'y a pas d'obstacle devant la prise d'air et la sortie d'air chaud.
- 12. La distance minimum des matières combustibles dépend de la température de surface de la matière combustible ne devant pas dépasser 71 °C. Au-dessus de l'appareil, il faudra peut-être laisser un dégagement supérieur au minimum spécifié si des matériaux placés au-dessus de l'appareil à la température indiquée risquent de subir des dommages thermiques, autres que le feu.
- 13. Prévoyez un dégagement de 18 po à l'arrière (ou de 12 po au-delà de l'extrémité du moteur, à l'arrière de l'appareil, selon la plus grande des deux valeurs), et du côté de la porte d'accès pour assurer assez d'air au bon fonctionnement du ventilateur.
- 14. L'installation doit se faire conformément aux codes locaux de la construction ou, à défaut de tels codes, conformément au National Fuel Gas Code, ANSI Z223.1 (NFPA 54), dernière édition. Au Canada, l'installation doit se faire conformément à la norme CSA B149.1.

MANUEL D'INSTALLATION ET DE MAINTENANCE appareils de chauffage alimentés au gaz modèles PTX et BTX



Tous les modèles approuvés pour une utilisation en Californie par le CEC et au Massachusetts. L'appareil de chauffage est certifié pour les applications non résidentielles.

POUR VOTRE SÉCURITÉ

L'utilisation et le stockage d'essence ou d'autres vapeurs et liquides inflammables dans des récipients ouverts à proximité de cet appareil sont dangereux.

IMPORTANT

Ce manuel est spécifiquement destiné au personnel d'une entreprise d'installation et d'entretien. Toutes les opérations d'installation et d'entretien doivent être confiées à une entreprise qualifiée.

Inspection à la réception
1. Inspectez l'appareil à la livraison. Signalez immédiatement tout dommage au transporteur et avisez le représentant commercial local de Modine.
2. Vérifiez la plaque signalétique pour déterminer si les caractéristiques de l'appareil correspondent au secteur électrique disponible au point d'installation.

3. Inspectez l'appareil à la réception pour vous assurer qu'il est conforme à la description du produit commandé (y compris aux spécifications, s'il y a lieu).

Table des matières

1	Inspection à l'arrivée
2	Précautions spéciales
3	Facteurs de conversion métrique (SI)
3	Avant de commencer
4	Emplacement d'installation
4	Matières combustibles et dégagements
5	Montage de l'appareil
6	Installation
6	Ventilation
6	Raccordements au gaz
15	Ensemble d'accessoires pour haute altitude
16	Électricité
18	Installation avec des gaines
19	Exigences/réglages et données pour les modèles à soufflante
20	Procédure de démarrage/mode d'emploi
24	Éléments constitutifs
25	Données de performance – Généralités
26	Données de performance – Hottes orientées vers le bas
27	Dimensions
28	Maintenance/dépannage
30	Numéro de série ou de modèle et pièces de rechange
31	Garantie commerciale
	Couverture arrière

⚠️ AVERTISSEMENT

1. Une installation, des réglages, des modifications ou un entretien inappropriés peuvent causer des dommages matériels, des blessures ou la mort, ainsi que l'exposition à des substances reconnues par divers organismes officiels comme causant des cancers, des malformations congénitales ou des anomalies du système reproducteur. Lisez attentivement les instructions d'installation, d'utilisation et d'entretien avant d'installer ou d'entretenir cet appareil.

2. AUCUN appareil fonctionnant au gaz ne devrait être installé dans des locaux dont l'atmosphère contient des vapeurs chlorées, halogénées ou acides. Ces substances peuvent causer une défaillance prématurée de l'échangeur de chaleur, en raison de la corrosion, laquelle peut provoquer des dommages matériels, des blessures graves ou même la mort.

- SI VOUS SENTEZ UNE ODEUR DE GAZ :**
1. Ouvrez les fenêtres.
 2. Ne tentez d'allumer aucun autre appareil.
 3. Ne touchez pas aux interrupteurs électriques et n'utilisez aucun téléphone dans votre édifice.
 4. Éteignez toute flamme nue.
 5. Appelez immédiatement votre compagnie de gaz depuis le téléphone d'un voisin. Suivez les instructions de la compagnie de gaz. Si vous ne pouvez pas contacter votre compagnie de gaz, appelez les pompiers.

POUR VOTRE SÉCURITÉ