



ELECTRIC UNIT HEATER FOR RESIDENTIAL & LIGHT COMMERCIAL SPACES



AmpDawg™ Electric Unit Heater

Safely and efficiently keep your garage, workspace, or basement warm with Modine's AmpDawg™ Electric Unit Heater. Our premium, low-profile residential/light commercial electric heater is available in two sizes, 5.7kW and 9.0kW, keeping you warm and comfortable year round.

- No venting needed
- No fumes
- Minimal maintenance
- Permanently installed



Product Features

Capacity

- 5.7kW
- 9.0kW

Performance

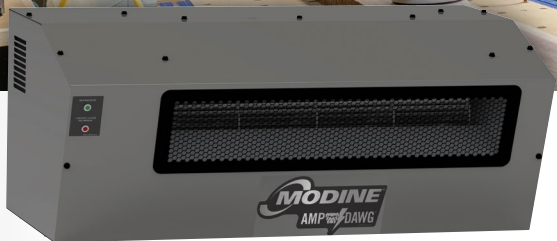
- Quiet operation with no vibration at any speed
- 20-foot throw at low stage
- Quickly heats up space
- Heats like a gas-fired unit with the benefits of electric

Construction

- Low-profile design maximizes overhead garage space
- Exterior casing stays cool while operating, even in failure modes
- Permanent installation

Features

- 24V circuit included to accommodate external low voltage thermostats
- Operating indicator light, and safety indicator light
- Thermostat controls to accurately set your comfort level



The residentially certified 5.7kW unit allows for application flexibility throughout a home, such as a basement or garage, while the 9.0kW unit provides two stages of controlled heat that is perfect for larger workshops or garages. Unlike your typical electric heater, Modine designed the AmpDawg™ to provide the heating and air throw on par with the Modine Hot Dawg® gas-fired unit heater. The durable, commercial grade elements allow for top heating performance and durability.

Performance Data

Model Sizes	Incoming Voltage	Heating Capacity		Airflow		Temp. Rise	Heat Throw	Max Height	Sound Level (dba)			Dimensions	Weight
		kW	BTU/hr	CFM	m3/hr				5'	10'	15'		
AMPO57	240V/1Ph	5.7	19437	425	722	42°F / 24°C	20'	8'	49.8	45	41.7	11.4" H 15" D 27" L	48 lbs.
	208V/1Ph	4.3	14578			32°F / 18°C			53.7	49	46.1		
AMPO90	240V/1Ph	9	30690	550	934	52°F / 29°C	26'	10'	53.7	49	46.1	11.4" H 15" D 27" L	52 lbs.
	208V/1Ph	6.8	23018			39°F / 22°C			53.7	49	46.1		

As quiet as your other household appliances

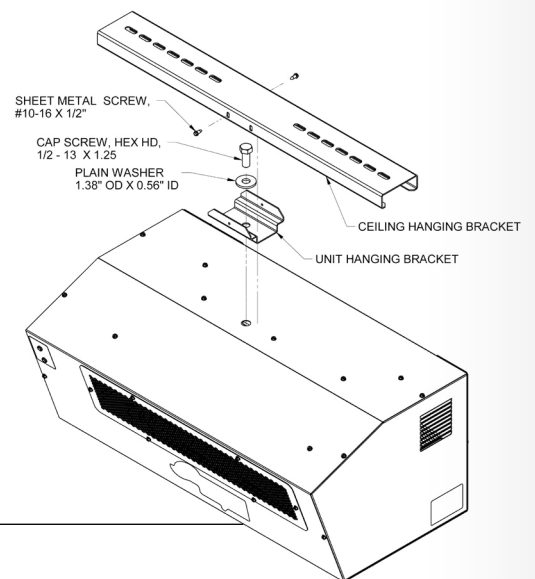
One of the quietest electric unit heaters on the market without sacrificing performance. Unlike other electric unit heaters that use a prop fan to move the heated air, the AmpDawg™ fan and motor are enclosed to ensure the best air movement and the quietest performance.

Distance from Front	Unit Sound	
	9.0Kw	5.7Kw
5'	53.7	49.8
10'	49	45
15'	46.1	41.7

Easy to Install

Simply install the hanging bracket and slide the unit into place.

The AmpDawg™ doesn't take up much space as it can be installed 1" from the ceiling.



To learn more, visit www.modinehvac.com or call 800-828-HEAT

 Follow us @ModineHVAC
 See us at YouTube.com/ModineHVAC
 www.facebook.com/ModineHVAC/
 www.linkedin.com/company/modinehvac/

Modine Manufacturing Company
1500 DeKoven Avenue
Racine, Wisconsin 53403-2552

©2023 Modine Manufacturing Co.
2-125

