

# INSTALLATION INSTRUCTIONS

## 662-Outdoor Wall Sconce

WS-W66216/WS-W66226

# MODERN FORMS

**CAUTION: To prevent electrical shock, ensure electricity has been turned off at the circuit breaker before beginning.**

- Read all instructions before installing.
- System is intended for installation by a licensed electrician in accordance with the National Electrical Code (NEC) and local regulations.
- When handling the fixture, do not apply pressure to the LEDs. Hold the fixture by the base only.
- Retain installation instructions for future maintenance reference.

**WARNING:** All parts must be used as indicated in these instructions. This product is designed for use only with the supplied parts and/or accessories designated for use by Modern Forms. Substitution of parts or accessories not designated for use with this product by Modern Forms could result in personal injury or property damage, and will void the warranty. Contact an authorized dealer or the manufacturer if any parts are damaged or missing.

**MAINTENANCE NOTE:** Coastal conditions may cause mineral and residue build-up on the fixture. We recommend that customers in coastal areas clean all external surfaces of the fixture once every two weeks with a wet cloth.

**MISE EN GARDE:** Pour éviter tout choc électrique, assurez-vous que le disjoncteur soit mis hors tension avant de commencer.

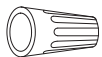
- Lisez toutes les instructions avant l'installation.
- Le système doit être installé par un électricien licencié conformément au code national de l'électricité (NEC), et également aux règlements locaux.
- Lors de la manipulation du luminaire, n'appuyez pas sur les LED. Tenez-le uniquement par la base.

**ATTENTION:** Toutes les pièces doivent être utilisées comme indiqué dans ces instructions. Ce produit est conçu pour être utilisé seulement avec les pièces et/ou accessoires fournis pour être utilisés avec les produits Modern Forms. Remplacer des pièces ou accessoires non conçus pour ce produit Modern Forms pourrait causer des dommages corporels ou matériels et pourrait également causer l'annulation de la garantie. Veuillez contacter un revendeur autorisé ou le fabricant si des pièces manquent ou sont endommagées.

**NOTE D'ENTRETIEN:** Les conditions côtières peut causer une accumulation de minéraux et de résidus sur le luminaire. Nous recommandons aux clients qui résident dans les zones côtières de nettoyer toutes les surfaces externes du luminaire une fois toutes les deux semaines avec un chiffon humide.

## HARDWARE

A



Wire Connector  
Qty: 3pcs+1 Extra

B



Mounting Screw  
Qty:1 Extra

C



Rubber Gasket  
Qty:1 Extra

D



Plastic Anchor  
Qty: 2pcs+1 Extra

E



Wood Screw  
Qty: 2pcs+1 Extra

modernforms.com  
Phone (800) 526.2588  
Fax (800) 526.2585

Headquarters/Eastern Distribution Center  
44 Harbor Park Drive  
Port Washington, NY 11050

Central Distribution Center  
1600 Distribution Ct  
Lithia Springs, GA 30122

Western Distribution Center  
1750 Archibald Avenue  
Ontario, CA 91760



# INSTALLATION INSTRUCTIONS

## 662-Outdoor Wall Sconce

WS-W66216/WS-W66226

# MODERN FORMS

### PREPARATION

1. Shut off the power at the circuit breaker and remove existing fixture, including the crossbar.
2. Carefully unpack your new fixture and lay out all the parts on a clear area. Be careful not to lose any small parts necessary for installation.

### MOUNTING THE FIXTURE (Fig. 1)

3. Remove the mounting screws (B) and rubber gaskets (C) from the fixture.
4. The lamp can switch between three color temperatures (3000K-3500K-4000K), which can be adjusted to your preference with the switch in the canopy (Fig.4).
5. Drill holes in the wall aligned with the key holes located in the mounting plate, insert the plastic anchors (D).
6. Secure the mounting plate to the junction box using the screws provided with the junction box. Fasten the back plate to the wall with the plastic anchors using the wood screws (E) provided.

**Note:** (i) Using any other non-original-manufacturer provided junction box screw may result in safety issue;  
 (ii) The side of the mounting plate marked "GND" must face out.

### CONNECTING THE WIRES (Fig. 2)

7. Connect the driver's input wires to junction box wire as shown in Fig. 2, making sure that all wire connectors (A) are secured. If your outlet box has a green or bare copper ground wire, connect the fixture's ground wire to it. Otherwise, connect the fixture's ground wire directly to the mounting plate using the screw provided. After wires are connected, tuck them carefully inside the junction box.

### COMPLETING THE INSTALLATION (Fig. 2, 3)

8. Secure the fixture to the mounting back plate using the mounting screws (B) and rubber gaskets (C).
9. To prevent moisture from entering the outlet box and causing a short, use clear caulking (i.e. indoor/outdoor silicone sealant) to outline the outside of fixture back plate where it meets the wall. Leave a space at the bottom to allow the moisture to escape (Fig. 3).

### FIG.5 Back Plate Dimensions

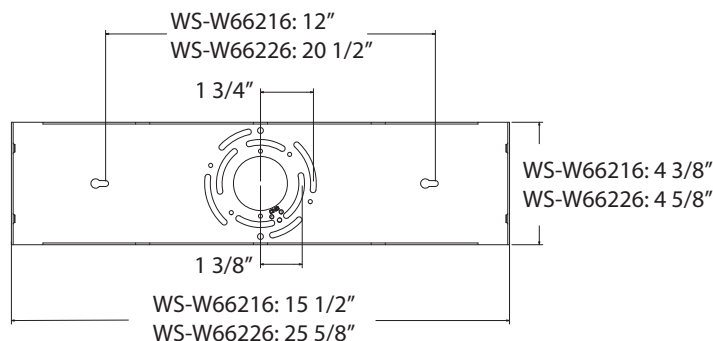


FIG.1

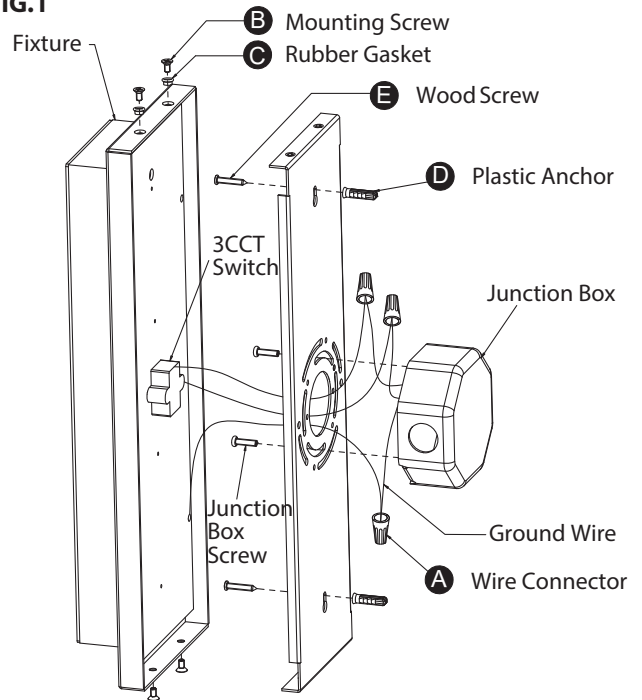


FIG.2 Wiring

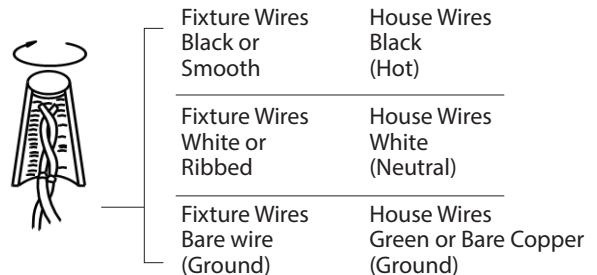


FIG.3 Sealing

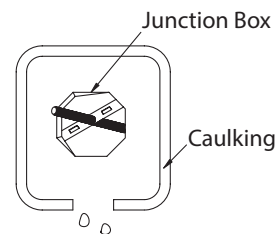
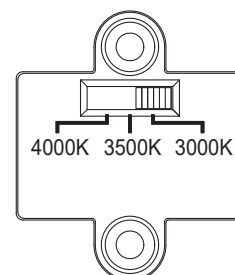


FIG.4 Switch



modernforms.com  
 Phone (800) 526.2588  
 Fax (800) 526.2585

Headquarters/Eastern Distribution Center  
 44 Harbor Park Drive  
 Port Washington, NY 11050

Central Distribution Center  
 1600 Distribution Ct  
 Lithia Springs, GA 30122

Western Distribution Center  
 1750 Archibald Avenue  
 Ontario, CA 91760



## INSTALLATION INSTRUCTIONS

### 662-Outdoor Wall Sconce

WS-W66236

# MODERN FORMS

**CAUTION: To prevent electrical shock, ensure electricity has been turned off at the circuit breaker before beginning.**

- Read all instructions before installing.
- System is intended for installation by a licensed electrician in accordance with the National Electrical Code (NEC) and local regulations.
- When handling the fixture, do not apply pressure to the LEDs. Hold the fixture by the base only.
- Retain installation instructions for future maintenance reference.

**WARNING:** All parts must be used as indicated in these instructions. This product is designed for use only with the supplied parts and/or accessories designated for use by Modern Forms. Substitution of parts or accessories not designated for use with this product by Modern Forms could result in personal injury or property damage, and will void the warranty. Contact an authorized dealer or the manufacturer if any parts are damaged or missing.

**MAINTENANCE NOTE:** Coastal conditions may cause mineral and residue build-up on the fixture. We recommend that customers in coastal areas clean all external surfaces of the fixture once every two weeks with a wet cloth.

**MISE EN GARDE:** Pour éviter tout choc électrique, assurez-vous que le disjoncteur soit mis hors tension avant de commencer.

- Lisez toutes les instructions avant l'installation.
- Le système doit être installé par un électricien licencié conformément au code national de l'électricité (NEC), et également aux règlements locaux.
- Lors de la manipulation du luminaire, n'appuyez pas sur les LED. Tenez-le uniquement par la base.

**ATTENTION:** Toutes les pièces doivent être utilisées comme indiqué dans ces instructions. Ce produit est conçu pour être utilisé seulement avec les pièces et/ou accessoires fournis pour être utilisés avec les produits Modern Forms. Remplacer des pièces ou accessoires non conçus pour ce produit Modern Forms pourrait causer des dommages corporels ou matériels et pourrait également causer l'annulation de la garantie. Veuillez contacter un revendeur autorisé ou le fabricant si des pièces manquent ou sont endommagées.

**NOTE D'ENTRETIEN:** Les conditions côtières peut causer une accumulation de minéraux et de résidus sur le luminaire. Nous recommandons aux clients qui résident dans les zones côtières de nettoyer toutes les surfaces externes du luminaire une fois toutes les deux semaines avec un chiffon humide.

## HARDWARE

**A**



Wire Connector  
Qty: 3pcs+1 Extra

**B**



Mounting Screw  
Qty:1 Extra

**C**



Rubber Gasket  
Qty:1 Extra

**D**



Plastic Anchor  
Qty: 2pcs+1 Extra

**E**



Anchor Screw  
Qty: 2pcs+1 Extra

modernforms.com  
Phone (800) 526.2588  
Fax (800) 526.2585

Headquarters/Eastern Distribution Center  
44 Harbor Park Drive  
Port Washington, NY 11050

Central Distribution Center  
1600 Distribution Ct  
Lithia Springs, GA 30122

Western Distribution Center  
1750 Archibald Avenue  
Ontario, CA 91760



INSTALLATION INSTRUCTIONS  
**662-Outdoor Wall Sconce**  
 WS-W66236

MODERN FORMS

**PREPARATION**

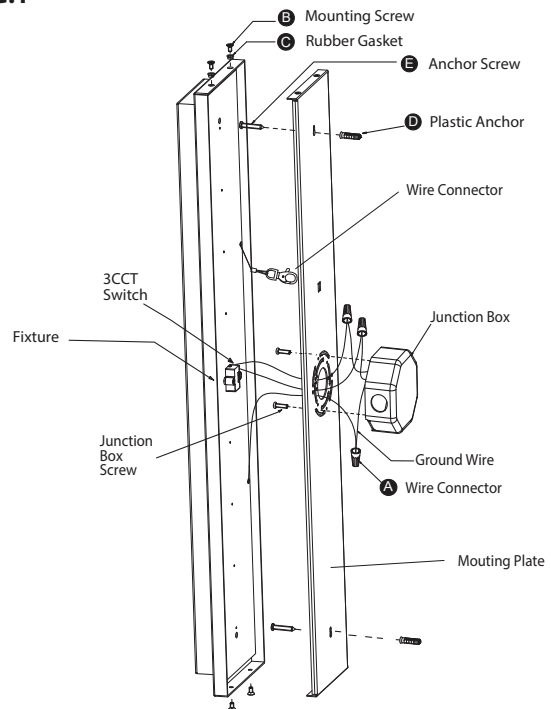
1. Shut off the power at the circuit breaker and remove existing fixture, including the crossbar.
2. Carefully unpack your new fixture and lay out all the parts on a clear area. Be careful not to lose any small parts necessary for installation.

**MOUNTING THE FIXTURE (Fig. 1)**

3. Remove the mounting screws (B) and rubber gaskets (C) from the fixture.
4. The lamp can switch between three color temperatures (3000K-3500K-4000K), which can be adjusted to your preference with the switch in the fixture (Fig.4).
5. Drill holes in the wall aligned with the key holes located in the mounting plate, insert the plastic anchors (D).
6. Hook the safety cord to the mounting plate.
7. Secure the mounting plate to the junction box using the screws provided with the junction box. Fasten the mounting plate to the wall with the plastic anchors using the anchor screw (E) provided.

**Note:** (i) Using any other non-original-manufacturer provided junction box screw may result in safety issue;  
 (ii) The side of the mounting plate marked "GND" must face out.

**FIG.1**



**CONNECTING THE WIRES (Fig. 2)**

8. Connect the fixture's input wires to junction box wire as shown in Fig. 2, making sure that all wire connectors (A) are secured. If your outlet box has a green or bare copper ground wire, connect the fixture's ground wire to it. Otherwise, connect the fixture's ground wire directly to the mounting plate using the screw provided. After wires are connected, tuck them carefully inside the junction box.

**Fig.2 Wiring**

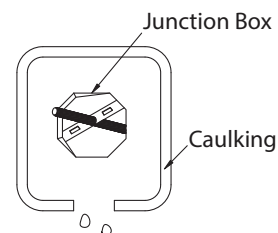


Fixture Wires Black or Smooth	House Wires Black (Hot)
Fixture Wires White or Ribbed	House Wires White (Neutral)
Fixture Wires Bare wire (Ground)	House Wires Green or Bare Copper (Ground)

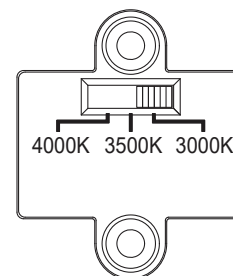
**COMPLETING THE INSTALLATION(Fig. 2, 3)**

9. Secure the fixture to the mounting plate using the mounting screws (B) and rubber gaskets (C).
10. To prevent moisture from entering the outlet box and causing a short, use clear caulking(i.e. indoor/outdoor silicone sealant) to outline the outside of fixture mounting plate where it meets the wall. Leave a space the bottom to allow the moisture to escape (Fig. 3).

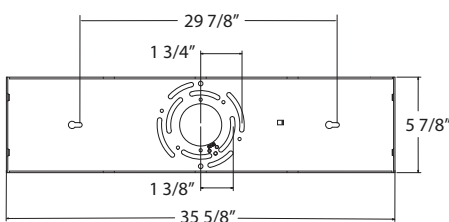
**Fig.3 Sealing**



**Fig.4 Switch**



**Fig.5 Mounting Plate Dimensions**



modernforms.com  
 Phone (800) 526.2588  
 Fax (800) 526.2585

Headquarters/Eastern Distribution Center  
 44 Harbor Park Drive  
 Port Washington, NY 11050

Central Distribution Center  
 1600 Distribution Ct  
 Lithia Springs, GA 30122

Western Distribution Center  
 1750 Archibald Avenue  
 Ontario, CA 91760



## INSTALLATION INSTRUCTIONS

### 662-Outdoor Wall Sconce

WS-W66246/WS-W66256

# MODERN FORMS®

**CAUTION: To prevent electrical shock, ensure electricity has been turned off at the circuit breaker before beginning.**

- Read all instructions before installing.
- System is intended for installation by a licensed electrician in accordance with the National Electrical Code (NEC) and local regulations.
- When handling the fixture, do not apply pressure to the LEDs. Hold the fixture by the base only.
- Retain installation instructions for future maintenance reference.

**WARNING:** All parts must be used as indicated in these instructions. This product is designed for use only with the supplied parts and/or accessories designated for use by Modern Forms. Substitution of parts or accessories not designated for use with this product by Modern Forms could result in personal injury or property damage, and will void the warranty. Contact an authorized dealer or the manufacturer if any parts are damaged or missing.

**MAINTENANCE NOTE:** Coastal conditions may cause mineral and residue build-up on the fixture. We recommend that customers in coastal areas clean all external surfaces of the fixture once every two weeks with a wet cloth.

**MISE EN GARDE:** Pour éviter tout choc électrique, assurez-vous que le disjoncteur soit mis hors tension avant de commencer.

- Lisez toutes les instructions avant l'installation.
- Le système doit être installé par un électricien licencié conformément au code national de l'électricité (NEC), et également aux règlements locaux.
- Lors de la manipulation du luminaire, n'appuyez pas sur les LED. Tenez-le uniquement par la base.

**ATTENTION:** Toutes les pièces doivent être utilisées comme indiqué dans ces instructions. Ce produit est conçu pour être utilisé seulement avec les pièces et/ou accessoires fournis pour être utilisés avec les produits Modern Forms. Remplacer des pièces ou accessoires non conçus pour ce produit Modern Forms pourrait causer des dommages corporels ou matériels et pourrait également causer l'annulation de la garantie. Veuillez contacter un revendeur autorisé ou le fabricant si des pièces manquent ou sont endommagées.

**NOTE D'ENTRETIEN:** Les conditions côtières peut causer une accumulation de minéraux et de résidus sur le luminaire. Nous recommandons aux clients qui résident dans les zones côtières de nettoyer toutes les surfaces externes du luminaire une fois toutes les deux semaines avec un chiffon humide.

## HARDWARE

**A**



Wire Connector  
Qty: 3pcs+1 Extra

**B**



Mounting Screw  
Qty:1 Extra

**C**



Rubber Gasket  
Qty:1 Extra

**D**



Plastic Anchor  
Qty: 2pcs+1 Extra

**E**



Anchor Screw  
Qty: 2pcs+1 Extra

**F**



Long Mounting Screw  
Qty:1 Extra

ModernForms.com  
Phone (866) 810-6615  
Fax (800) 526-2585

Headquarters, East Manufacturing Facility  
44 Harbor Park Drive  
Port Washington, NY 11050

South East Manufacturing Facility  
1600 Distribution Ct  
Lithia Springs, GA 30122

Central Manufacturing Facility  
1700 South J Elmer Freeway, Ste 100  
Cedar Hill, TX 75104

West Manufacturing Facility  
1750 S Archibald Ave  
Ontario, CA 91761

# INSTALLATION INSTRUCTIONS

## 662-Outdoor Wall Sconce

### WS-W66246/WS-W66256

# MODERN FORMS®

#### PREPARATION

1. Shut off the power at the circuit breaker and remove existing fixture, including the crossbar.
2. Carefully unpack your new fixture and lay out all the parts on a clear area. Be careful not to lose any small parts necessary for installation.

#### MOUNTING THE FIXTURE (Fig. 1)

3. Remove the mounting screws (B,F) and rubber gaskets (C) from the fixture.
4. The lamp can switch between three color temperatures (3000K-3500K-4000K), which can be adjusted to your preference with the switch in the fixture (Fig.4).
- Note:** The switch comes with a detachable switch cover, remove the switch cover prior to adjusting the color temperature, reattach the switch cover after adjustment is made.
5. Drill holes in the wall aligned with the key holes located in the mounting plate, insert the plastic anchors (D).
6. Hook the safety cord to the mounting plate.
7. Secure the mounting plate to the junction box using the screws provided with the junction box. Fasten the mounting plate to the wall with the plastic anchors using the anchor screw (E) provided.

- Note:** (i) Using any other non-original-manufacturer provided junction box screw may result in safety issue;  
(ii) The side of the mounting plate marked "GND" must face out.

#### CONNECTING THE WIRES (Fig. 2)

8. Connect the fixture's input wires to junction box wire as shown in Fig. 2, making sure that all wire connectors (A) are secured. If your outlet box has a green or bare copper ground wire, connect the fixture's ground wire to it. Otherwise, connect the fixture's ground wire directly to the mounting plate using the screw provided. After wires are connected, tuck them carefully inside the junction box.

#### COMPLETING THE INSTALLATION (Fig. 2, 3)

9. Secure the fixture to the mounting plate using the mounting screws (B,F) and rubber gaskets (C).
10. To prevent moisture from entering the outlet box and causing a short, use clear caulking (i.e. indoor/outdoor silicone sealant) to outline the outside of fixture mounting plate where it meets the wall. Leave a space the bottom to allow the moisture to escape (Fig. 3).

FIG.1

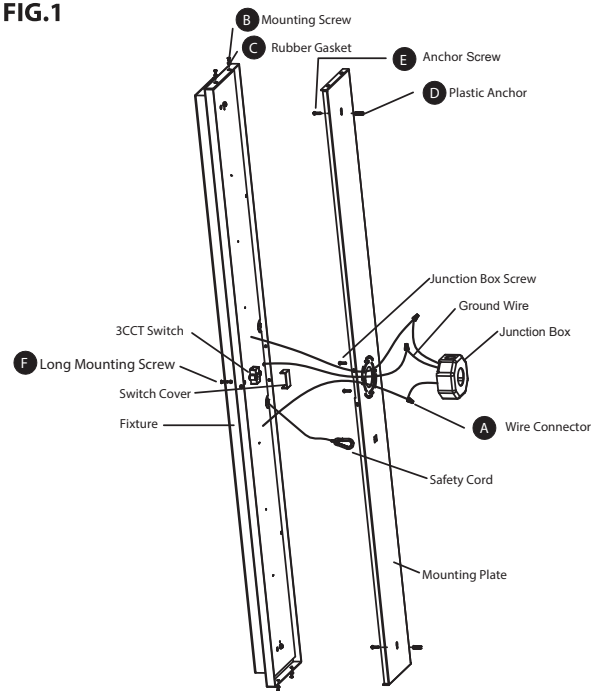


Fig.2 Wiring



Fixture Wires Black or Smooth	House Wires Black (Hot)
Fixture Wires White or Ribbed	House Wires White (Neutral)
Fixture Wires Bare wire (Ground)	House Wires Green or Bare Copper (Ground)

Fig.3 Sealing

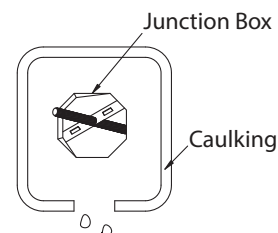


Fig.4 Switch

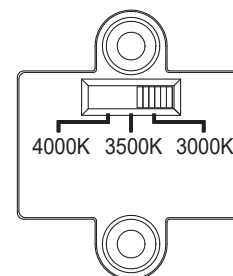
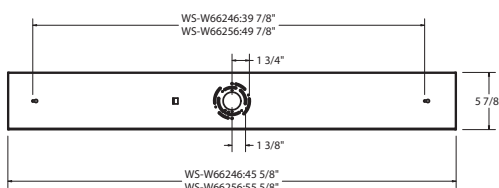


Fig.5 Mounting Plate Dimensions



ModernForms.com  
Phone (866) 810-6615  
Fax (800) 526-2585

Headquarters, East Manufacturing Facility  
44 Harbor Park Drive  
Port Washington, NY 11050

South East Manufacturing Facility  
1600 Distribution Ct  
Lithia Springs, GA 30122

Central Manufacturing Facility  
1700 South J Elmer Freeway, Ste 100  
Cedar Hill, TX 75104

West Manufacturing Facility  
1750 S Archibald Ave  
Ontario, CA 91761

# INSTALLATION INSTRUCTIONS

## 662-Outdoor Wall Sconce

WS-W66266

# MODERN FORMS®

**CAUTION: To prevent electrical shock, ensure electricity has been turned off at the circuit breaker before beginning.**

- Read all instructions before installing.
- System is intended for installation by a licensed electrician in accordance with the National Electrical Code (NEC) and local regulations.
- When handling the fixture, do not apply pressure to the LEDs. Hold the fixture by the base only.
- Retain installation instructions for future maintenance reference.

**WARNING:** All parts must be used as indicated in these instructions. This product is designed for use only with the supplied parts and/or accessories designated for use by Modern Forms. Substitution of parts or accessories not designated for use with this product by Modern Forms could result in personal injury or property damage, and will void the warranty. Contact an authorized dealer or the manufacturer if any parts are damaged or missing.

**MAINTENANCE NOTE:** Coastal conditions may cause mineral and residue build-up on the fixture. We recommend that customers in coastal areas clean all external surfaces of the fixture once every two weeks with a wet cloth.

**MISE EN GARDE:** Pour éviter tout choc électrique, assurez-vous que le disjoncteur soit mis hors tension avant de commencer.

- Lisez toutes les instructions avant l'installation.
- Le système doit être installé par un électricien licencié conformément au code national de l'électricité (NEC), et également aux règlements locaux.
- Lors de la manipulation du luminaire, n'appuyez pas sur les LED. Tenez-le uniquement par la base.

**ATTENTION:** Toutes les pièces doivent être utilisées comme indiqué dans ces instructions. Ce produit est conçu pour être utilisé seulement avec les pièces et/ou accessoires fournis pour être utilisés avec les produits Modern Forms. Remplacer des pièces ou accessoires non conçus pour ce produit Modern Forms pourrait causer des dommages corporels ou matériels et pourrait également causer l'annulation de la garantie. Veuillez contacter un revendeur autorisé ou le fabricant si des pièces manquent ou sont endommagées.

**NOTE D'ENTRETIEN:** Les conditions côtières peut causer une accumulation de minéraux et de résidus sur le luminaire. Nous recommandons aux clients qui résident dans les zones côtières de nettoyer toutes les surfaces externes du luminaire une fois toutes les deux semaines avec un chiffon humide.

### HARDWARE

**A**



Wire Connector  
Qty: 3pcs+1 Extra

**B**



Mounting Screw  
Qty: 4pcs+1 Extra

**C**



Rubber Gasket  
Qty: 6pcs+2 Extra

**D**



Plastic Anchor  
Qty: 2pcs+1 Extra

**E**



Anchor Screw  
Qty: 2pcs+1 Extra

**F**



Long Mounting Screw  
Qty: 2pcs+1 Extra

**G**



Heat sink Screw  
Qty: 10 pcs+1 Extra

**H**



Nut  
Qty: 2 pcs

ModernForms.com  
Phone (866) 810-6615  
Fax (800) 526-2585

Headquarters, East Manufacturing Facility  
44 Harbor Park Drive  
Port Washington, NY 11050

South East Manufacturing Facility  
1600 Distribution Ct  
Lithia Springs, GA 30122

Central Manufacturing Facility  
1700 South J Elmer Freeway, Ste 100  
Cedar Hill, TX 75104

West Manufacturing Facility  
1750 S Archibald Ave  
Ontario, CA 91761

INSTALLATION INSTRUCTIONS  
**662-Outdoor Wall Sconce**  
 WS-W66266

MODERN FORMS®

**PREPARATION**

1. Shut off the power at the circuit breaker and remove existing fixture, including the crossbar.
2. Carefully unpack your new fixture and lay out all the parts on a clear area. Be careful not to lose any small parts necessary for installation.

**MOUNTING THE FIXTURE (Fig. 1)**

3. Remove the heat sink with the module and fasten it to the lamp with screws(G) and nuts(H).
  4. The lamp can switch between three color temperatures (3000K-3500K-4000K), which can be adjusted to your preference with the switch in the fixture (Fig.4).
- Note:** The switch comes with a detachable switch cover, remove the switch cover prior to adjusting the color temperature, reattach the switch cover after adjustment is made.
5. Drill holes in the wall aligned with the key holes located in the mounting plate, insert the plastic anchors (D).
  6. Hook the safety cord to the mounting plate.
  7. Secure the mounting plate to the junction box using the screws provided with the junction box. Fasten the mounting plate to the wall with the plastic anchors using the anchor screw (E) provided.

**Note:** (i) Using any other non-original-manufacturer provided junction box screw may result in safety issue;  
 (ii) The side of the mounting plate marked "GND" must face out.

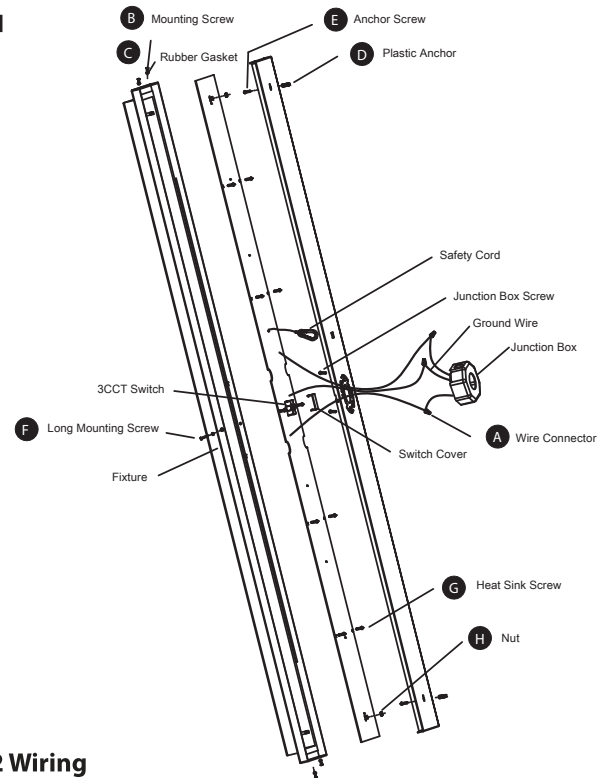
**CONNECTING THE WIRES (Fig. 2)**

8. Connect the fixture's input wires to junction box wire as shown in Fig. 2, making sure that all wire connectors (A) are secured. If your outlet box has a green or bare copper ground wire, connect the fixture's ground wire to it. Otherwise, connect the fixture's ground wire directly to the mounting plate using the screw provided. After wires are connected, tuck them carefully inside the junction box.

**COMPLETING THE INSTALLATION(Fig. 2, 3)**

9. Secure the fixture to the mounting plate using the mounting screws (B,F) and rubber gaskets (C).**Note:** Pay attention to the direction.
10. To prevent moisture from entering the outlet box and causing a short, use clear caulking(i.e. indoor/outdoor silicone sealant) to outline the outside of fixture mounting plate where it meets the wall. Leave a space the bottom to allow the moisture to escape (Fig. 3).

**FIG.1**

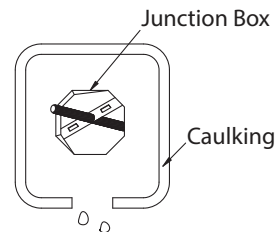


**Fig.2 Wiring**

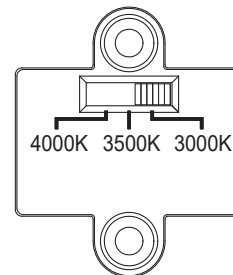


Fixture Wires Black or Smooth	House Wires Black (Hot)
Fixture Wires White or Ribbed	House Wires White (Neutral)
Fixture Wires Bare wire (Ground)	House Wires Green or Bare Copper (Ground)

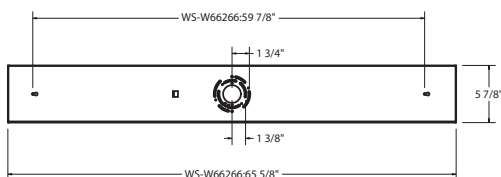
**Fig.3 Sealing**



**Fig.4 Switch**



**Fig.5 Mounting Plate Dimensions**



ModernForms.com  
 Phone (866) 810-6615  
 Fax (800) 526-2585

Headquarters, East Manufacturing Facility  
 44 Harbor Park Drive  
 Port Washington, NY 11050

South East Manufacturing Facility  
 1600 Distribution Ct  
 Lithia Springs, GA 30122

Central Manufacturing Facility  
 1700 South J Elmer Freeway, Ste 100  
 Cedar Hill, TX 75104

West Manufacturing Facility  
 1750 S Archibald Ave  
 Ontario, CA 91761