

INSTALLATION INSTRUCTIONS

KILT- LED Pendant

PD-44403R/PD-44405R/PD-44409R/PD-44415R/PD-44421R

MODERN FORMS

CAUTION: To prevent electrical shock, ensure electricity has been turned off at the circuit breaker before beginning.

- Read all instructions before installing.
- System is intended for installation by a licensed electrician in accordance with the National Electrical Code (NEC) and local regulations.
- When handling the fixture, do not apply pressure to the LEDs. Hold the fixture by the base only.
- Retain installation instructions for future maintenance reference.

WARNING: All parts must be used as indicated in these instructions. This product is designed for use only with the supplied parts and/or accessories designated for use by dweLED. Substitution of parts or accessories not designated for use with this product by dweLED could result in personal injury or property damage, and will void the warranty. Contact an authorized dealer or the manufacturer if any parts are damaged or missing.

MAINTENANCE NOTE: Coastal conditions may cause mineral and residue build-up on the fixture. We recommend that customers in coastal areas clean all external surfaces of the fixture once every two weeks with a wet cloth.

MISE EN GARDE: Pour éviter tout choc électrique, assurez-vous que le disjoncteur soit mis hors tension avant de commencer.

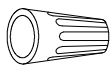
- Lisez toutes les instructions avant l'installation.
- Le système doit être installé par un électricien licencié conformément au code national de l'électricité (NEC), et également aux règlements locaux.
- Lors de la manipulation du luminaire, n'appuyez pas sur les LED. Tenez-le uniquement par la base.

ATTENTION: Toutes les pièces doivent être utilisées comme indiqué dans ces instructions. Ce produit est conçu pour être utilisé seulement avec les pièces et/ou accessoires fournis pour être utilisés avec les produits dweLED. Remplacer des pièces ou accessoires non conçus pour ce produit dweLED pourrait causer des dommages corporels ou matériels et pourrait également causer l'annulation de la garantie. Veuillez contacter un revendeur autorisé ou le fabricant si des pièces manquent ou sont endommagées.

NOTE D'ENTRETIEN: Les conditions côtières peut causer une accumulation de minéraux et de résidus sur le luminaire. Nous recommandons aux clients qui résident dans les zones côtières de nettoyer toutes les surfaces externes du luminaire une fois toutes les deux semaines avec un chiffon humide.

Hardware

A



Wire Connector
Qty: 3pcs+1 Extra

B



Mounting screw
Qty: 1 Extra

C



Plastic Anchor
Qty: 7pcs

D



Anchor Screw
Qty: 7pcs

E



Junction Box Screw
Qty: 1 Extra

modernforms.com
Phone (800) 526.2588
Fax (800) 526.2585

Headquarters/Eastern Distribution Center
44 Harbor Park Drive
Port Washington, NY 11050

Central Distribution Center
1600 Distribution Ct
Lithia Springs, GA 30122

Western Distribution Center
1750 Archibald Avenue
Ontario, CA 91760



INSTALLATION INSTRUCTIONS

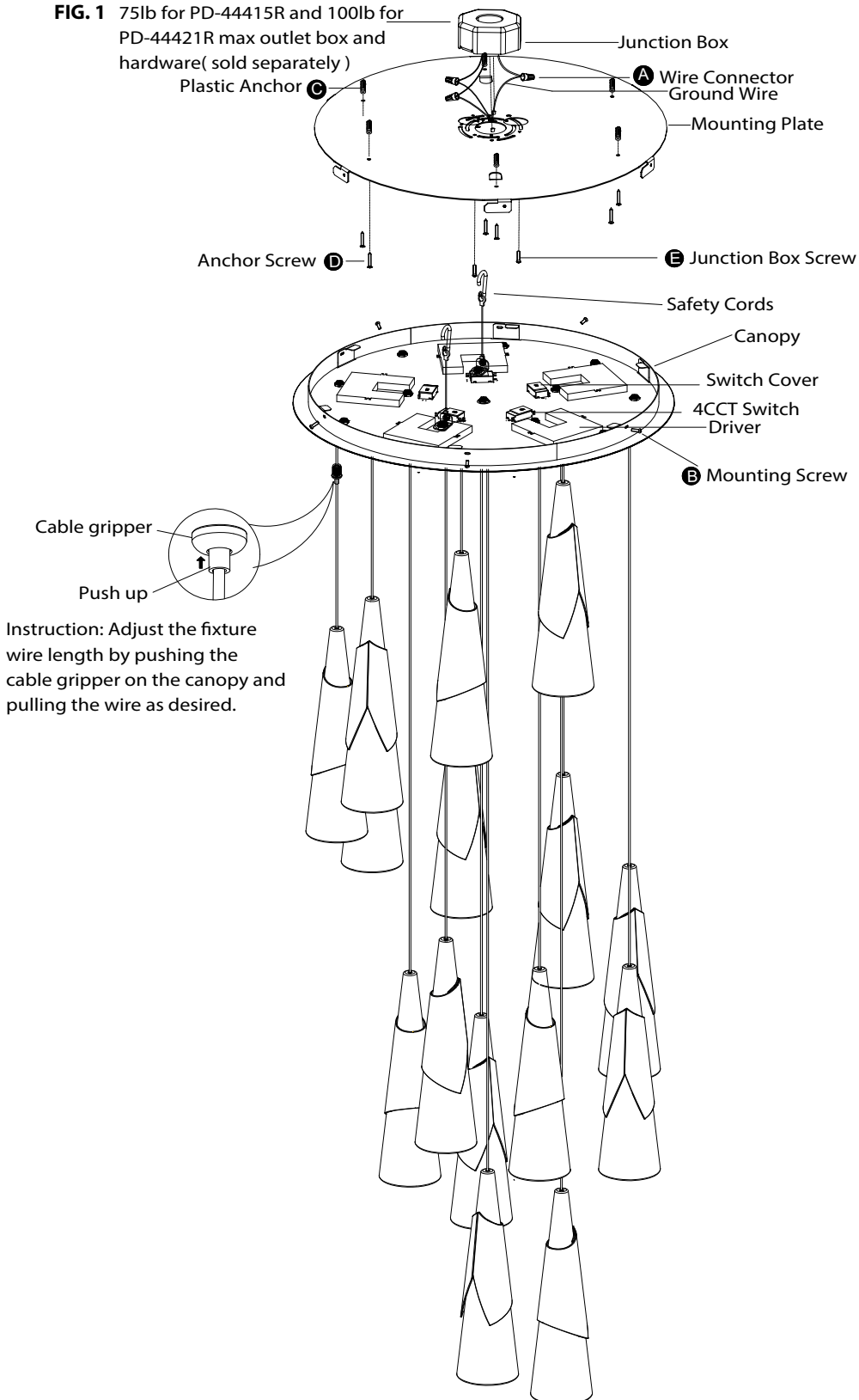
KILT - LED Pendant

MODERN FORMS

PD-44403R/PD-44405R/PD-44409R/PD-44415R/PD-44421R

Recommended to use UL approved

FIG. 1 75lb for PD-44415R and 100lb for PD-44421R max outlet box and hardware (sold separately)



modernforms.com
Phone (800) 526.2588
Fax (800) 526.2585

Headquarters/Eastern Distribution Center
44 Harbor Park Drive
Port Washington, NY 11050

Central Distribution Center
1600 Distribution Ct
Lithia Springs, GA 30122

Western Distribution Center
1750 Archibald Avenue
Ontario, CA 91760



INSTALLATION INSTRUCTIONS

KILT - LED Pendant

MODERN FORMS

PD-44403R/PD-44405R/PD-44409R/PD-44415R/PD-44421R

PREPARATION

1. Shut off the power at the circuit breaker and remove existing fixture, including the crossbar.
2. Carefully unpack your new fixture and lay out all the parts on a clear area. Be careful not to lose any small parts necessary for installation.

MOUNTING MOUNTING PLATE (Fig. 1)

3. Remove the mounting screws (B) and take out the mounting plate.
4. Using the mounting plate as a template, drill holes in the ceiling aligned with the outer set of holes located in the mounting plate. Insert the plastic anchors (C) into the ceiling.
5. Recommended to use UL approved 75lb for PD-44415R and 100lb for PD-44421R max outlet box and hardware (sold separately). If standard duty JB is used, ensure fixture is adequately supported independent of the JB to secure the fixture to carry the weight.
6. First, secure the mounting plate to the junction box using the junction box screws (not provided). Second, fasten the mounting plate to the ceiling using anchor screws (D).
 - (i) The side of the mounting plate marked "GND" must face out, towards the installer.
 - (ii) It is recommended to use only original junction box screws or replacements provided by junction box manufacturer.

WIRING AND HANGING FIXTURE (Fig. 1, Fig. 2, Fig. 3, Fig. 4)

7. Set color temperature at this stage. The fixture can switch between four color temperatures (2700K, 3000K, 3500K, 4000K), which can be adjusted to your preference using the 4CCT switch (Fig. 2) mounted in the canopy.

Note: the switch comes with a detachable cover, remove the cover prior to adjusting the color temperature, reattach the cover after adjustment is made.

8. Adjust the fixture wire length by pushing the cable gripper on the canopy and pulling the wire as desired.
 - (i) Before securing the canopy in place, it is recommended to retract or extend the wire within the canopy to a desirable length.
 - (ii) Due to limited space within the canopy, shorten the cable as necessary to make the installation easier. Make sure to identify and label all the wiring properly before any trimming/shortening of cables. (Fig. 4)
 - (iii) Note: Retracting or extending excessive cable length through the cable gripper is not recommended.
 - (iv) Warning: Modifying the fixture may result in voiding the warranty of the product. Only licensed persons should trim cables and perform rewiring.
9. Attach the fixture to the mounting plate using a safety cable as shown (Fig. 1). This secures the fixture and aids in wiring.
10. Connect the drivers' input wires to the junction box wires as shown (Fig. 3) using wire connectors (A) provided. Ensure wire connectors are secure. Connect the fixture's ground wire to the ground in the junction box; this will be either a green wire or a bare copper wire. After driver is wired to house wires, tuck wires carefully inside the junction box.
11. If using a dimmer with this fixture, wire dimmer connections at this stage per section titled "**(OPTIONAL) DIMMER WIRING.**"
12. Mount the canopy against the mounting plate. Secure fixture to the mounting plate using the mounting screws (B).

(OPTIONAL) DIMMER WIRING (Fig. 3)

- This fixture features electronic low voltage (ELV or TRIAC) or 0-10V dimming capabilities. See notes below for specific dimming wires information.
- To utilize ELV or TRIAC dimming: use wires black (live), white (neutral) and house green wire or bare copper wire (ground). Do not use dimmer wires on driver for ELV or TRIAC dimming.
- To utilize 0-10V dimming: use wires purple (dim+), Pink or gray (dim-) from driver and connect to corresponding wires in junction box.
- NOTE: Make sure to connect 0-10V prior to powering up the fixture in order to allow the 0-10V dimming to function properly.

Fig.2 4CCT Switch

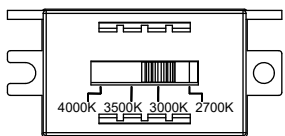
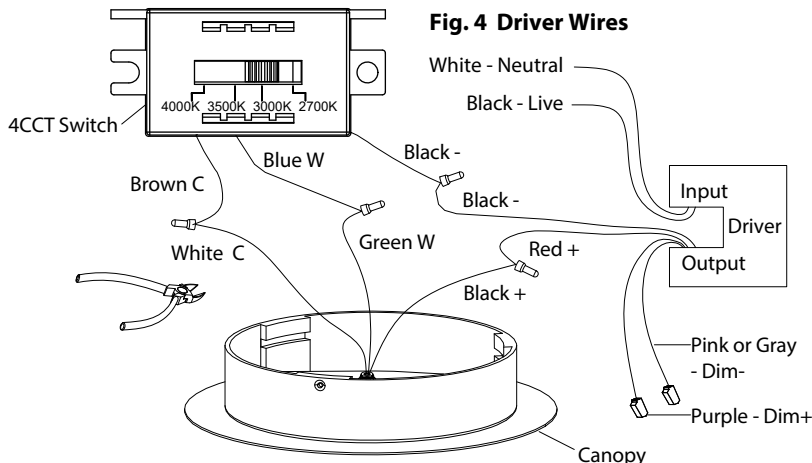


FIG. 3 Wiring



Fixture Wires	House Wires
Black or Smooth	Black (Hot)
White or Ribbed	White (Neutral)
Bare wire (Ground)	Green or Bare Copper (Ground)

Fig. 4 Driver Wires



modernforms.com
Phone (800) 526.2588
Fax (800) 526.2585

Headquarters/Eastern Distribution Center
44 Harbor Park Drive
Port Washington, NY 11050

Central Distribution Center
1600 Distribution Ct
Lithia Springs, GA 30122

Western Distribution Center
1750 Archibald Avenue
Ontario, CA 91760



INSTALLATION INSTRUCTIONS

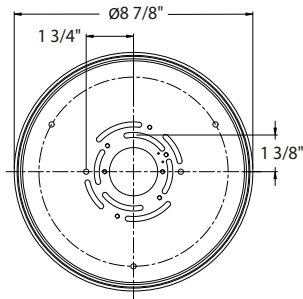
KILT - LED Pendant

PD-44403R/PD-44405R/PD-44409R/PD-44415R/PD-44421R

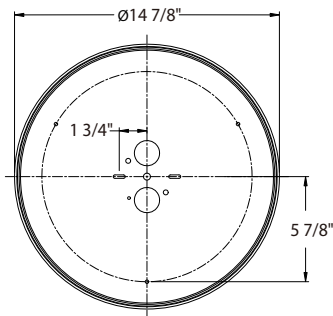
MODERN FORMS

Mounting Plate Dimensions

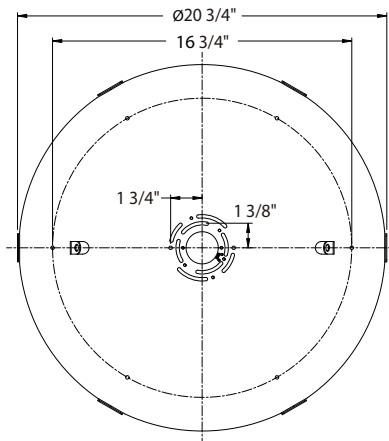
PD-44403R



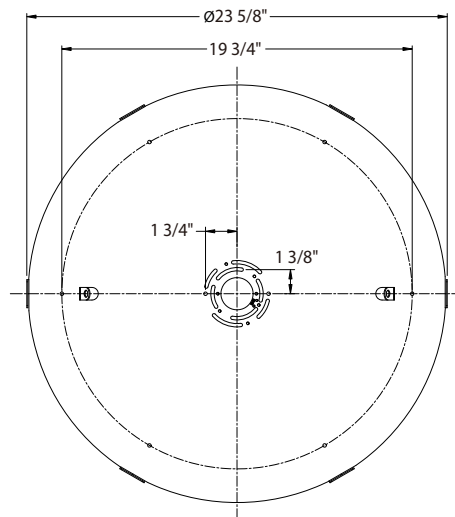
PD-44405R
PD-44409R



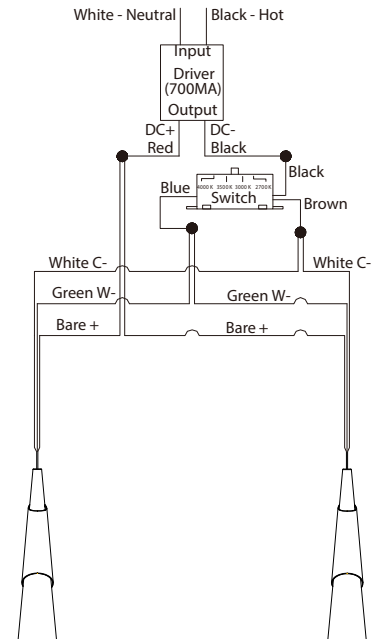
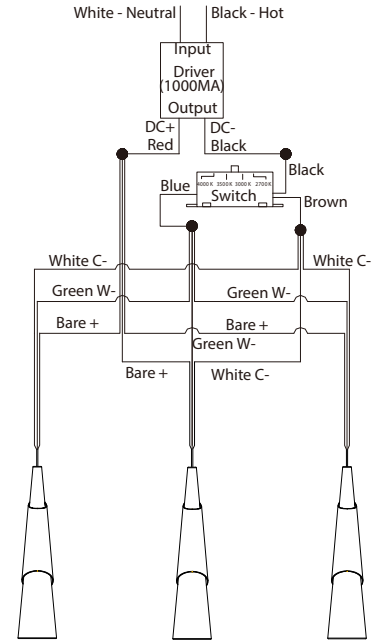
PD-44415R



PD-44421R



Driver Wires For PD-44403R/44405R/44409R/44415R/44421R



modernforms.com
Phone (800) 526.2588
Fax (800) 526.2585

Headquarters/Eastern Distribution Center
44 Harbor Park Drive
Port Washington, NY 11050

Central Distribution Center
1600 Distribution Ct
Lithia Springs, GA 30122

Western Distribution Center
1750 Archibald Avenue
Ontario, CA 91760

