



Project: _____

Location: _____

Fixture Type: _____

Catalog Number: _____

AVAILABLE FINISHES:



Black Jack

PD-44344

PRODUCT DESCRIPTION

Sleek surfboard of illumination. Right on the cutting edge of design, from nose to tail with robust light in between.

FEATURES

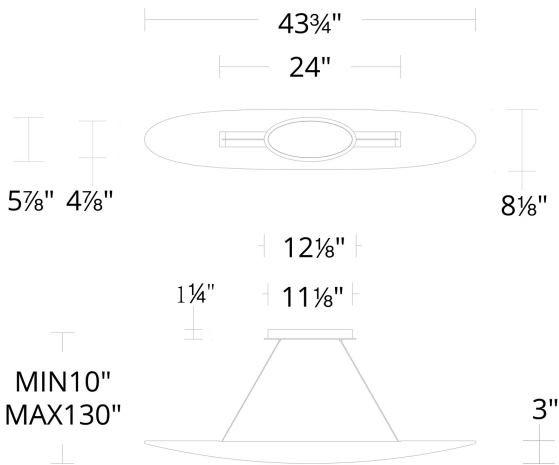
- Driver concealed within the canopy
- Up and downward illumination
- Slide-on oval canopy with minimal hardware
- Thin powered aircraft cables provide an ultra clean look for adjustable suspension height
- Can be mounted on a sloped ceiling

SPECIFICATIONS

Rated Life	50000 Hours
Standards	ETL, cETL,Damp Location Listed,Title 24 JA8: 2019 Compliant
Input	120/277V,50/60Hz
Dimming	ELV: 100-5%,TRIAC: 100-5%
Color Temp	3000K
CRI	90
Construction	Metal body with PC diffuser

REPLACEMENT PARTS

HDW-HY23-WA - Hardware Pack



PD-44344

Model & Size	Color Temp	Finish	LED Watts	LED Lumens	Delivered Lumens
PD-44344 44"	3000K	BK Black	54.5W	5400	3381

Example: **PD-44344-BK**

For custom requests please contact customs@modernforms.com