



Project:

Location:

Fixture Type:

Catalog Number:

AVAILABLE FINISHES:



Double Bubble

PD-82024

PRODUCT DESCRIPTION

Geometrically concentric spheres round out this chandelier with conversation starting elegance and intrigue. This charming design deploys laser-etched spherical shades embraced by boches and arms, providing alluring ambience and aesthetic that delights.

FEATURES

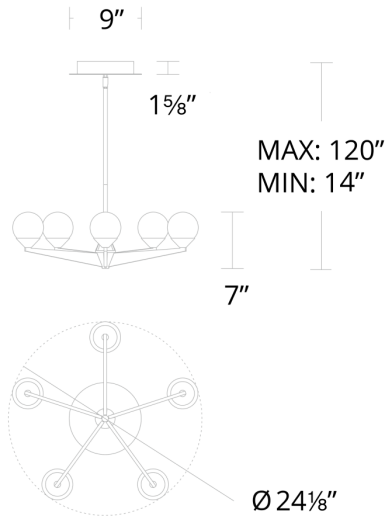
- Driver concealed within the canopy
- Light is evenly diffused through laser etched crystal ball
- Three 12" and one 6" down rods included (additional sold separately)
- Slope ceiling adaptable. Hang straight swivels up to 90 degrees
- Spin-on round canopy with minimal hardware

SPECIFICATIONS

Rated Life	50000 Hours
Standards	ETL, cETL, Damp Location Listed, Title 24 JA8: 2019 Compliant
Input	120-277V, 50/60Hz
Dimming	ELV, 0-10V, TRIAC
Color Temp	3000K
CRI	90
Construction	Metal body with laser etched glass diffuser

REPLACEMENT PARTS

- RPL-GLA-82024 - Replacement Glass
- RPL-ROD-IN06-AB - 6 inch Rod - AB Finish
- RPL-ROD-IN06-BK-01 - 6 inch Rod - BK Finish
- RPL-ROD-IN06-SN - 6 inch Rod - SN Finish
- RPL-ROD-IN126-AB - 12 inch Rod - AB Finish
- RPL-ROD-IN12-BK-01 - 12 inch Rod - BK Finish
- RPL-ROD-IN12-SN - 12 inch Rod - SN Finish



PD-82024

Model & Size	Color Temp	Finish	LED Watts	LED Lumens	Delivered Lumens
PD-82024 24"	3000K	AB Aged Brass BK Black SN Satin Nickel	19W	1920	1824

Example: **PD-82024-SN**

For custom requests please contact customs@modernforms.com