

**FLUFFY** Chandelier & Pendants  
 PD-59922 / PD-59933

**MODERN FORMS**

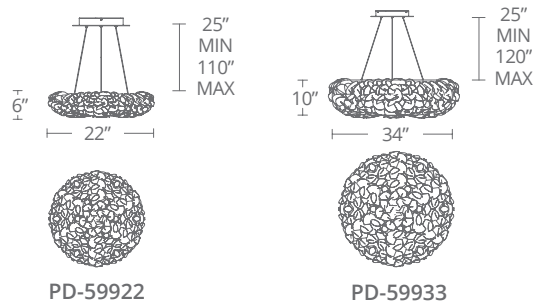


Fixture Type:

Catalog Number:

Project: \_\_\_\_\_

Location: \_\_\_\_\_



**PRODUCT DESCRIPTION**

A soft feathered piece with a heavenly look. Handcrafted of detailed acrylic that emerges into a glowing cluster of interlocking petals with frosted edges. Celestial silk-screened petals diffuse the light with incredible texture around the fixture for a tone on tone style.

**FEATURES**

- Glowing cluster of interlocked petal shades
- Magnetic tool-free shade installation for easy maintenance
- Thin, powered aircraft cables provide an ultra-clean look for adjustable suspension height
- Rated Life: 50,000 hours
- Color temp: 3000K
- CRI: 90

**SPECIFICATIONS**

**Construction:** Aluminum

**Light Source:** High output LED

**Dimming:** ELV, TRIAC, 0-10V

**Finish:** Brushed Nickel

**Standards:** ETL & cETL damp location listed, CEC Title 24 compliant

**ORDER NUMBER**

Model	Diameter	Wattage	Voltage	LED Lumens	Delivered Lumens	Finish
<b>PD-59922</b>	22"	32W	120-277V	2717	2106	<b>BN</b> <i>Brushed Nickel</i> 
<b>PD-59933</b>	33"	42W		3980	3377	

Example: **PD-59922-BN**

<b>modernforms.com</b>	<b>Headquarters/Eastern Distribution Center</b>	<b>Central Distribution Center</b>	<b>Western Distribution Center</b>
Phone (866) 810.6615	44 Harbor Park Drive	1600 Distribution CT.	1750 Archibald Avenue
Fax (800) 526.2585	Port Washington, NY 11050	Lithia Springs, GA 30122	Ontario, CA 91760