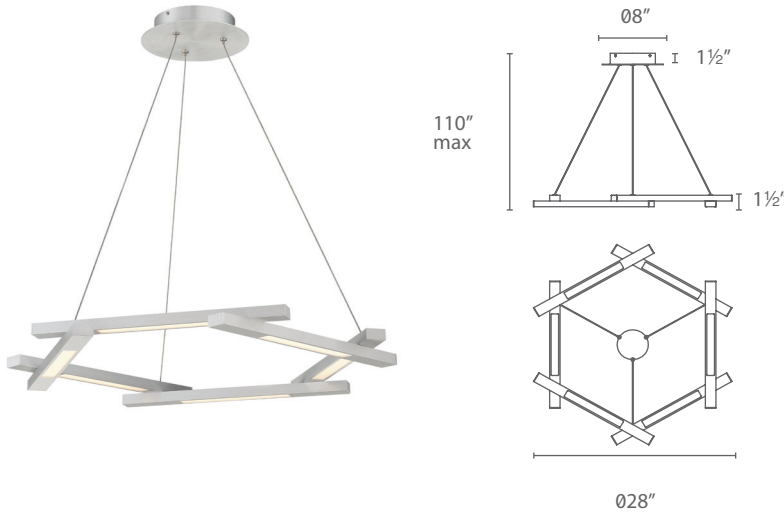


METRIC – model: PD-437

LED Interior Chandeliers



Fixture Type:

Catalog Number:

Project: _____

Location: _____

PRODUCT DESCRIPTION

Hexagonal shaped chandelier imbued with an array of six linear elements with robust down lighting for dining areas and lobbies in residential and hospitality locations. Aluminum construction aligned with unique precision designed for a layered look. Full range dimming. Brushed aluminum and brushed anodized black finishes offered. Also available in impressive 38" and 48" sizes.

FEATURES

- ETL & cETL damp location listed
- Aluminum construction
- Transformer located in canopy
- 277V option available (special order)
- Full range dimming when used with compatible dimmers*
- Downlight only
- 55,000 hour rated life
- Color Temp: 3000K
- CRI: 90

SPECIFICATIONS




Construction: Aluminum

Light Source: High output LED.

Finish: Brushed Aluminum (AL), Anodized Black (BK), Brushed Brass (BR)

Standards: ETL & cETL damp location listed.

ORDER NUMBER

	Length	Wattage	Voltage	LED Lumens	Delivered Lumens	Finish
PD-43728	28"	66W	120V	5400	1950	AL <i>Brushed Aluminum</i>  BK <i>Anodized Black</i>  BR <i>Brushed Brass</i> 

Example: **PD-43728-AL**

For 277V special order add an "F" before the finish: **PD-43728F-AL**

modernforms.com
Phone (800) 526.2588
Fax (800) 526.2585

Headquarters/Eastern Distribution Center
44 Harbor Park Drive
Port Washington, NY 11050

Central Distribution Center
1600 Distribution Ct
Lithia Springs, GA 30122

Western Distribution Center
1750 Archibald Avenue
Ontario, CA 91760