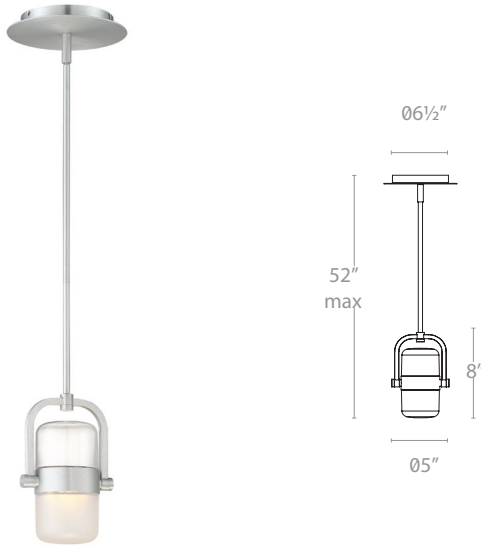
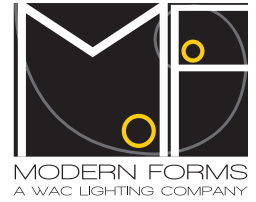


# JAZZ – model: PD-257

## LED Interior Pendants & Chandeliers



Fixture Type:

Catalog Number:

Project: \_\_\_\_\_

Location: \_\_\_\_\_

### PRODUCT DESCRIPTION

A minimalist architectural wall sconce that mates well with Jazz styled chandeliers, sconces and vanities. Delivers robust up and down lighting with advanced proprietary LED technology.

### FEATURES

- CEC Title 24 Compliant
- ETL & cETL damp location listed
- Two finish options for a midcentury modern appeal
- Hang straight swivel
- Clear and frosted etched glass
- No transformer or driver required
- Full range dimming when used with compatible dimmers\*
- Up & down light
- 10' of wire included to extend pendant up to a total of 120", three 12" and one 6" down rods included (additional down rods available for purchase)
- 60,000 hour rated life
- Color Temp: 3000K
- CRI: 90

### ORDER NUMBER

	Wattage	Voltage	LED Lumens	Delivered Lumens	Finish
<b>PD-25708</b>	13.5W	120V	1300	1240	<b>AL</b> <i>Brushed Aluminum/Clear etched</i>  <b>BR</b> <i>Brushed Brass/Smoke etched</i> 

Example: **PD-25708-AL**

### SPECIFICATIONS

**Construction:** Aluminum and Clear & Opal etched glass

**Light Source:** High output LED.

**Finish:** Brushed Aluminum (AL), Brushed Brass (BR)

**Standards:** ETL & cETL damp location listed. CEC Title 24.

modernforms.com  
Phone (800) 526.2588  
Fax (800) 526.2585

Headquarters/Eastern Distribution Center  
44 Harbor Park Drive  
Port Washington, NY 11050

Central Distribution Center  
1600 Distribution Ct  
Lithia Springs, GA 30122

Western Distribution Center  
1750 Archibald Avenue  
Ontario, CA 91760