



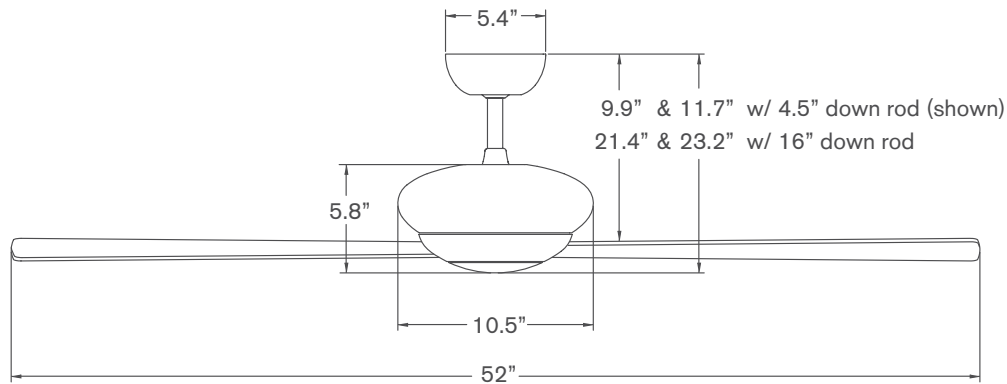
# Altus



Altus > Configure item number from attributes below.

#ALT	Finish	Blade Span	Blade Color	Light Option	Control Option
-	-	-	-	-	-
▲	▲	▲	▲	▲	▲
<b>GW</b>	Gloss White	<b>52</b> 52" Span	<b>WH</b> White	<b>NL</b> No Light	<b>001</b> Fan Speed Only
<b>BA</b>	Brushed Aluminum	<b>42</b> 42" Span	<b>AL</b> Aluminum	<b>271</b> 17W LED	<b>002</b> Fan & Light – 3 Wire
<b>DB</b>	Dark Bronze		<b>BK</b> Black		<b>003</b> Handheld Remote
			<b>MP</b> Maple		<b>004</b> Fan & Light – 2 Wire
			<b>MG</b> Mahogany		<b>005</b> Wall/Remote Combo

## Dimensions



Also available in 42" blade span.

## Specifications

- 153mm x 18mm AC motor with reverse switch on fan body
- Die cast and spun aluminum construction
- 42" or 52" span, plywood blades
- Includes 4.5" and 16" down rods (longer options also available)
- Optional LED light: 17W, 90 CRI, 3000K, 1530 lumens (dimnable) behind an opal glass diffuser; adds 1.5" to length of fan; CA Title 24, JA8-2019 compliant
- Slope compatible up to 33°; adapter available for slopes up to 45°
- Designed by Ron Rezek
- ETL listed for dry and damp locations
- Weight: 15 lbs (6.8 kgs)

## Performance Data

### LOWEST SPEED

**RPM:** 70  
**CFM:** 1,672  
**Watts:** 10.61  
**CFM/W:** 158

### HIGHEST SPEED

**RPM:** 225  
**CFM:** 5,142  
**Watts:** 68.69  
**CFM/W:** 75

## Energy Guide Data

**Average Energy Use**  
42 Watts

**Average Airflow**  
3,515 CFM

**Yearly Energy Cost**  
\$12

**Average Efficiency**  
83 CFM/Watt

\* Performance and Energy Guide Data corresponds to the 52" blade span. For 42" Performance and Energy Guide data, visit [www.modernfan.com](http://www.modernfan.com).

\*\*Energy Guide Data represents weighted averages of low speed and high speed performance, assuming typical use (excluding light). For more information, visit [www.modernfan.com](http://www.modernfan.com).

# Altus

Gloss White with White Blades (no light)



Brushed Aluminum with Maple Blades (no light)



Dark Bronze with Mahogany Blades and 271 LED Light



## FAN FINISHES

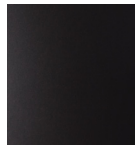
Gloss White



Brushed Aluminum



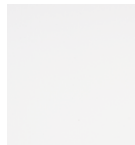
Dark Bronze



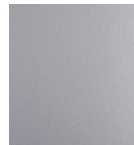
## PLYWOOD BLADES

Plywood blades are constructed of furniture grade veneers, painted or stained as shown here. Natural variations may exist in woodgrains and finishes.

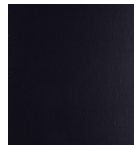
White



Aluminum



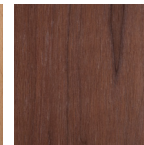
Black



Maple



Mahoganyw



## ALTUS FAN CONTROLS

Selection of a control option is made at time of order and incorporated into the fan item number (except #FC-009A and #FC-009B which are sold as accessory items).



### #FC-001 Fan Speed Only Control (no light)

For a single AC fan, providing four speeds. Not intended for a fan with light. *Note: Not compatible with remote control.*



### #FC-002 Fan & Light Control-3 Wire

For a single AC fan with LED light, providing four speeds and dimming function. Requires three wires from switch location to fan. *Note: Not compatible with remote control.*



### #FC-003-LED Handheld Remote RF Control

Designed for independent operation a single AC fan or AC fan with LED light, providing three speeds and full range dimming (or "on/off" switching), using only one circuit (two wires). Includes RF handset, receiver, battery and comes with a wall mounting bracket for handset.



### #FC-004-LED Fan & Light RF Control-2 Wire

Designed for independent operation of a single AC fan or AC fan with LED light, providing three speeds and full range dimming (or "on/off" switching), using only one circuit (two wires). Includes RF wall control (with master power switch), switch plate and receiver.



### #FC-005-LED Wall/Remote Combo RF Control-2 Wire

Designed for independent operation of a single AC fan or AC fan with LED light, providing three speeds and full range dimming (or "on/off" switching), using only one circuit (two wires). Includes RF handset, RF wall control (with master power switch), switch plate and receiver.



### #FC-009A / #FC-009B Multi-fan Speed Controls for AC Fans (no lights)

Sold as an accessory item, providing three speeds for multiple AC fans on a single switch leg. FC-009A for 2-3 fans FC-009B for 3-6 fans *Note: Not compatible with remote control. Control of fan lights must be accounted for separately with owner provided control on separate switch leg.*

## DOWN RODS

The Altus ships standard with 4.5" and 16" down rods. Use the following part numbers to order accessory down rods.

#DRD	Finish	Length
-	-	-
▲	-	▲
GW	Gloss White	12 12"
BA	Brushed Aluminum	24 24"
DB	Dark Bronze	36 36"
		48 48"
		60 60"
		72 72"

## SLOPE ADAPTER

The Altus will accommodate ceiling slopes up to 33 degrees. The #045 slope adapter can accommodate slopes exceeding 33 degrees and up to 45 degrees.

#045	Finish
-	-
▲	-
GW	Gloss White
BA	Brushed Aluminum
DB	Dark Bronze