



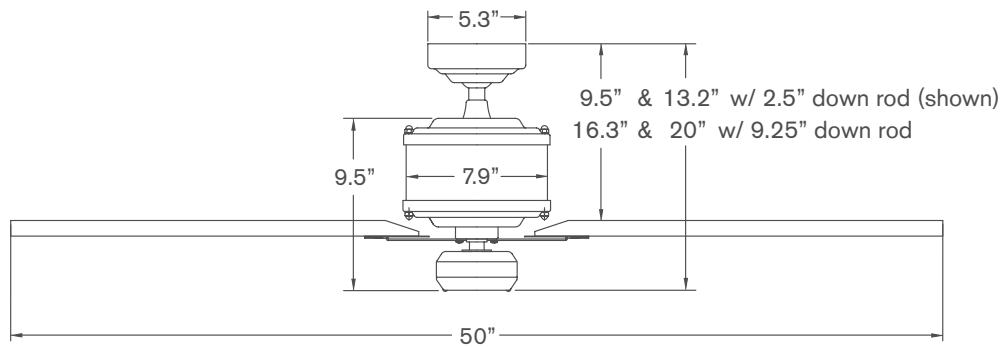
Industry DC



Industry DC > Configure item number from attributes below.

#IND	Finish	Blade Span	Blade Color	Light Option	Control Option
-	-	-	-	-	-
	▲ GV Galvanized DB Dark Bronze	▲ 50 50" Span	▲ WH White SV Silver BK Black GY Graywash MP Maple MG Mahogany WW Whitewash	▲ NL No Light 272 20W LED	▲ WC Wall Control RC Remote Control CC Wall/Remote Combo

Dimensions



Specifications

- 6-speed, reversible DC motor
- Stamped and spun steel construction
- 50" span, plywood blades
- Includes 2.5" and 9.25" down rods (longer options also available)
- Optional LED light: 20W, 90 CRI, 3000K, 1800 lumens (dimnable) behind opal glass diffuser; adds 0.9" to length of fan; CA Title 24, JA8-2019 compliant
- Slope compatible up to 33°; adapter available for slopes up to 45°
- Designed by Ron Rezek
- ETL listed for dry and damp locations
- Weight: 17.0 lbs (7.7 kgs)

Performance Data

LOWEST SPEED

RPM: 70
CFM: 1,639
Watts: 2.71
CFM/W: 605

HIGHEST SPEED

RPM: 220
CFM: 6,296
Watts: 33.79
CFM/W: 186

Energy Guide Data

Average Energy Use
22 Watts

Average Airflow
4,113 CFM

Yearly Energy Cost
\$6

Average Efficiency
157 CFM/Watt

Energy Guide Data represents weighted averages of low speed and high speed performance, assuming typical use (excluding light). For more information, visit www.modernfan.com.

Industry DC



FAN FINISHES

Galvanized

Dark Bronze



PLYWOOD BLADES

Plywood blades are constructed of furniture grade veneers, painted or stained as shown here. Natural variations may exist in woodgrains and finishes.

White

Silver

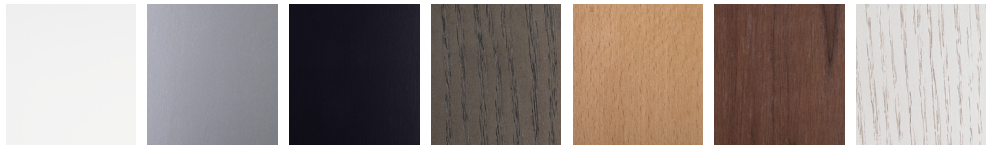
Black

Graywash

Maple

Mahogany

Whitewash



INDUSTRY DC CONTROLS

Our DC fan controls use RF transmission to a receiving unit included with each fan, providing six speeds, reversing and light function (on/off or dimming). Includes universal or dedicated channel selection and master power switch on wall control (if ordered). Control selection is made at time of order and incorporated into fan item number.

Wall Control (WC)

Remote Control (RC)

Wall/Remote Combo (CC)



* The Industry DC fan must use one of the above control options. Third party fan controls are not compatible with this product. The Remote Control (RC) can be used in combination with a standard power switch (on-off) in wall box.

** For ordering guidance to replace lost or damaged control components or to add secondary control to existing control sets (e.g. to add a handset to an existing wall control system), contact Modern Fan Co. customer support.

DOWN RODS

The Industry DC ships standard with 2.5" and 9.25" down rods. Use the following part numbers to order accessory down rods.

#DRD	Finish	Length
-	-	-
▲		▲
GV	Galvanized	12 12"
DB	Dark Bronze	24 24"
		36 36"
		48 48"
		60 60"
		72 72"

SLOPE ADAPTER

The Industry DC will accommodate ceiling slopes up to 33 degrees. The #045 slope adapter can accommodate slopes exceeding 33 degrees and up to 45 degrees.

#045	Finish
-	-
▲	
GV	Galvanized
DB	Dark Bronze