



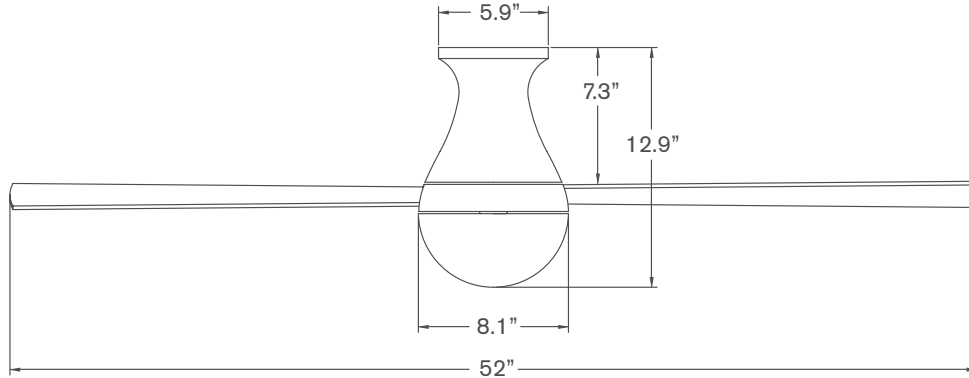
# Ball Flush



Ball Flush > Configure item number from attributes below.

Finish	Blade Span	Blade Color	Light Option	Control Option
#BAL-FM -	-	-	-	-
▲ <b>GW</b> Gloss White	▲ <b>52</b> 52" Span	▲ <b>WH</b> White	▲ <b>NL</b> No Light	▲ <b>001</b> Fan Speed Only
<b>BA</b> Brushed Aluminum	<b>42</b> 42" Span	<b>AL</b> Aluminum	<b>652</b> 20W LED	<b>002</b> Fan & Light – 3 Wire
		<b>MP</b> Maple		<b>003</b> Handheld Remote
				<b>004</b> Fan & Light – 2 Wire
				<b>005</b> Wall/Remote Combo

## Dimensions



Also available in 42" blade span.

## Specifications

- 153mm x 18mm AC motor with reverse switch on fan body
- Die cast aluminum construction
- 42" or 52" span, plywood blades
- Optional LED light: 20W, 90 CRI, 3000K, 1800 lumens (dimmable) behind opal glass diffuser; CA Title 24, JA8-2019 compliant
- For flat ceilings only
- Designed by Ron Rezek
- ETL listed for dry and damp locations
- Weight: 16 lbs (7.3 kgs)

## Performance Data

### LOWEST SPEED

**RPM:** 70  
**CFM:** 1,514  
**Watts:** 10.87  
**CFM/W:** 139

### HIGHEST SPEED

**RPM:** 205  
**CFM:** 4,975  
**Watts:** 68.52  
**CFM/W:** 73

## Energy Guide Data

**Average Energy Use**  
42 Watts

**Average Airflow**  
3,353 CFM

**Yearly Energy Cost**  
\$12

**Average Efficiency**  
79 CFM/Watt

\* Performance and Energy Guide Data corresponds to the 52" blade span. For 42" Performance and Energy Guide data, visit [www.modernfan.com](http://www.modernfan.com).  
 \*\*Energy Guide Data represents weighted averages of low speed and high speed performance, assuming typical use (excluding light). For more information, visit [www.modernfan.com](http://www.modernfan.com).

# Ball Flush

Gloss White with  
White Blades  
(no light)



THE  
MOD-  
ERN  
FAN  
CO

Gloss White  
with Maple Blades  
(no light)



Brushed Aluminum  
with Aluminum Blades  
and 652 LED Light



## FAN FINISHES

Gloss  
White



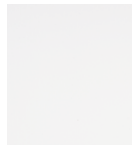
Brushed  
Aluminum



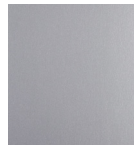
## PLYWOOD BLADES

Plywood blades are constructed of furniture grade veneers, painted or stained as shown here. Natural variations may exist in woodgrains and finishes.

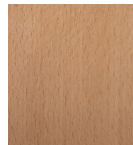
White



Aluminum



Maple



## BALL FLUSH FAN CONTROLS

Selection of a control option is made at time of order and incorporated into the fan item number (except #FC-009A and #FC-009B which are sold as accessory items).



### #FC-001 Fan Speed Only Control (no light)

For a single AC fan, providing four speeds. Not intended for a fan with light. *Note: Not compatible with remote control.*



### #FC-002 Fan & Light Control-3 Wire

For a single AC fan with LED light, providing four speeds and dimming function. Requires three wires from switch location to fan. *Note: Not compatible with remote control.*



### #FC-003-LED Handheld Remote RF Control

Designed for independent operation a single AC fan or AC fan with LED light, providing three speeds and full range dimming (or "on/off" switching), using only one circuit (two wires). Includes RF handset, receiver, battery and comes with a wall mounting bracket for handset.



### #FC-004-LED Fan & Light RF Control-2 Wire

Designed for independent operation of a single AC fan or AC fan with LED light, providing three speeds and full range dimming (or "on/off" switching), using only one circuit (two wires). Includes RF wall control (with master power switch), switch plate and receiver.



### #FC-005-LED Wall/Remote Combo RF Control-2 Wire

Designed for independent operation of a single AC fan or AC fan with LED light, providing three speeds and full range dimming (or "on/off" switching), using only one circuit (two wires). Includes RF handset, RF wall control (with master power switch), switch plate and receiver.



### #FC-009A / #FC-009B Multi-fan Speed Controls for AC Fans (no lights)

Sold as an accessory item, providing three speeds for multiple AC fans on a single switch leg.

FC-009A for 2-3 fans  
FC-009B for 3-6 fans

*Note: Not compatible with remote control. Control of fan lights must be accounted for separately with owner provided control on separate switch leg.*

## MOUNTING

The Ball Flush installs with a flat mounting plate (included) for attachment to an appropriately rated junction box.

The Ball Flush is intended for flat, low ceilings (approximately 8'0"). For higher ceilings and/or for sloped ceilings, please select from one of our down rod suspended models.