

**⚠ WARNING/CAUTION**

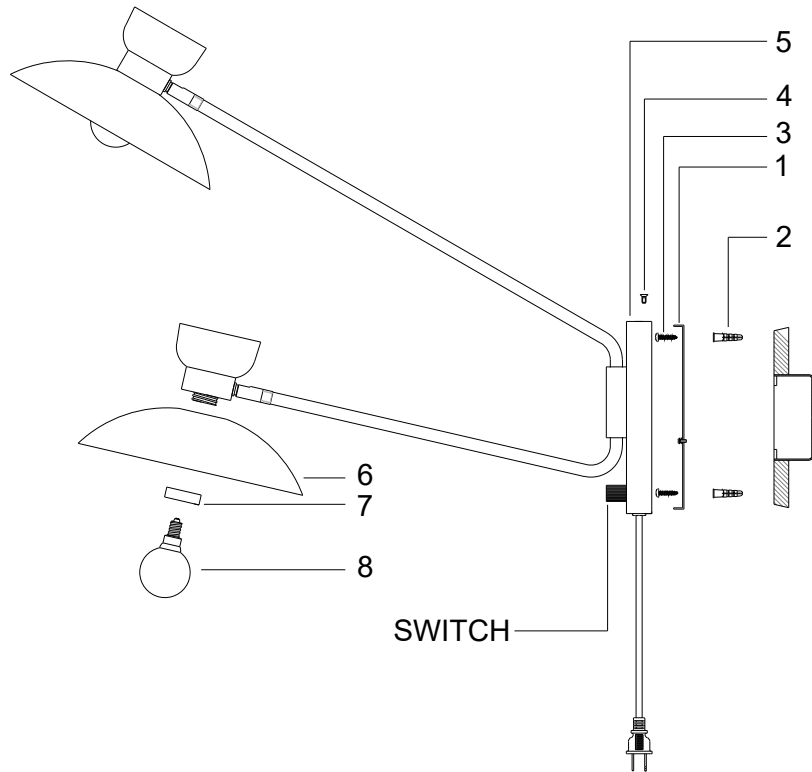
- **DISCONNECT POWER BEFORE RE-LAMPING OR WIRING THE FIXTURE. READ ALL INSTRUCTIONS COMPLETELY BEFORE STARTING INSTALLATION.**
- **TO AVOID THE RISK OF FIRE OR SHOCK, FIXTURE MUST BE INSTALLED IN COMPLIANCE WITH ALL APPLICABLE NATIONAL AND LOCAL ELECTRICAL/BUILDING CODES. THE INSTALLATION AND MAINTENANCE OF THIS UNIT SHOULD BE COMPLETED BY A LICENSED ELECTRICIAN OR CERTIFIED FACTORY TRAINED TECHNICIAN.**
- **CALIFORNIA PROP 65: THIS LIGHTING FIXTURE CONTAINS CHEMICALS KNOWN TO THE STATE OF CALIFORNIA TO CAUSE CANCER, BIRTH DEFECTS, AND/OR OTHER REPRODUCTIVE HARM. WASH HANDS AFTER USE.**
- **REMOVE THE FIXTURE, PARTS AND PARTS BAG(S) FROM THE CARTON. BEFORE DISCARDING THE CARTON, DOUBLE CHECK TO MAKE CERTAIN THAT ALL PARTS ARE FOUND. INSPECT THE FIXTURE PRIOR TO INSTALLATION FOR ANY DAMAGE TO THE FIXTURE.**
- **DIMMING: THE FIXTURE CAN BE CONTROLLED BY A WALL DIMMING DEVICE. ONLY USE TRIAC/ELECTRONIC DIMMER. MAKE SURE THE CARTON IS MARKED FOR USE WITH LED COMPACT FLUORESCENT-INCANDESCENT LIGHT SOURCE ONLY. THESE CAN BE PROVIDED BY YOUR LOCAL ELECTRICAL DISTRIBUTOR, HOME CENTER, OR HARDWARE STORE.**
- **PLEASE CLEAN WITH A SOFT, DRY CLOTH ONLY! DO NOT USE CLEANSERS**

**This FIXTURE can be mounted in two ways.**

**Option 1: Plug-in Installation  
FIXTURE INSTALLATION**

1. Using the MOUNTING PLATE (1) mark holes on the wall for the WALL ANCHORS (2), drill holes on the ceiling and push the WALL ANCHORS (2) into the wall.
2. Attach the MOUNTING PLATE (1) onto the wall, secure the WOOD SCREWS(3) into the each WALL ANCHORS(2).
3. Attach the FIXTURE ASSEMBLY (5) to the MOUNTING PLATE (1) and secure with the SET SCREWS (4)
4. Lift the METAL SHADE (6) up onto the fixture and secure it using the SOCKET RING (7)
5. Screw the BULB (8) up into the SOCKET of the fixture. **THIS FIXTURE IS RATED FOR 60 WATT LAMP. DO NOT EXCEED THE RECOMMENDED WATTAGE!**
6. Restore power to the outlet at the breaker or fuse box.

ITEM	DESCRIPTION	PART NUMBER
1	MOUNTING PLATE	HDW-HL481202
2	WALL ANCHOR	HDW-HL481202
3	WOOD SCREW	HDW-HL481202
4	SET SCREW	HDW-HL481202
5	FIXTURE ASSEMBLY	FAS-HL481202
6	METAL SHADE	SHD-HL481202
7	SOCKET RING	RNG-HL481202
8	BULB	NOT INCLUDED
9	MOUNTING SCREW	HDW-HL481202
10	WIRE NUT	HDW-HL481202
11	GROUND SCREW	HDW-HL481202



**⚠ ATTENTION PRUDENCE**

- DÉBRANCHEZ L'ALIMENTATION AVANT DE REMPLIR OU DE CÂBLER LE LUMINAIRE. LISEZ COMPLÈTEMENT TOUTES LES INSTRUCTIONS AVANT DE COMMENCER L'INSTALLATION
- POUR ÉVITER LE RISQUE D'INCENDIE OU D'ÉLECTROCUTION, LE LUMINAIRE DOIT ÊTRE INSTALLÉ CONFORMÉMENT À TOUS LES CODES ÉLECTRIQUES/DE CONSTRUCTION NATIONAUX ET LOCAUX APPLICABLES. L'INSTALLATION ET L'ENTRETIEN DE CET APPAREIL DOIVENT ÊTRE EFFECTUÉS PAR UN ÉLECTRICIEN AGRÉÉ OU UN TECHNICIEN CERTIFIÉ FORMÉ EN USINE.
- CALIFORNIE PROP 65 : CET APPAREIL D'ÉCLAIRAGE CONTIENT DES PRODUITS CHIMIQUES CONNUS PAR L'ÉTAT DE CALIFORNIE POUR PROVOQUER LE CANCER, DES MALADIES CONGÉNITALES ET/OU D'AUTRES DOMMAGES À LA REPRODUCTION. LAVER LES MAINS APRÈS UTILISATION.
- RETIRER LE LUMINAIRE, LES PIÈCES ET LE(S) SAC(S) DE PIÈCES DU CARTON. AVANT DE JETER LE CARTON, VÉRIFIEZ DOUBLE POUR VOUS ASSURER QUE TOUTES LES PIÈCES SONT TROUVÉES. INSPECTER LE LUMINAIRE AVANT L'INSTALLATION POUR TOUT DOMMAGE AU LUMINAIRE.
- GRADATION : LE LUMINAIRE PEUT ÊTRE CONTRÔLÉ PAR UN DISPOSITIF DE GRADATION MURALE. UTILISER UNIQUEMENT UN GRADATEUR TRIAC/ÉLECTRONIQUE. ASSUREZ-VOUS QUE LE CARTON EST MARQUÉ POUR UNE UTILISATION AVEC UNE SOURCE DE LUMIÈRE FLUORESCENTE À INCANDESCENTE COMPACTE UNIQUEMENT. CEUX-CI PEUVENT ÊTRE FOURNIS PAR VOTRE DISTRIBUTEUR ÉLECTRIQUE LOCAL, CENTRE À DOMICILE OU MAGASIN DE QUINCAILLERIE.
- VEUILLEZ NETTOYER UNIQUEMENT AVEC UN CHIFFON DOUX ET SEC ! N'UTILISEZ PAS DE NETTOYANTS

This **FIXTURE** can be mounted in two ways.

**Option 1: Plug-in Installation  
FIXTURE INSTALLATION**

1. Using the MOUNTING PLATE (1) mark holes on the wall for the WALL ANCHORS (2), drill holes on the ceiling and push the WALL ANCHORS (2) into the wall.
2. Attach the MOUNTING PLATE (1) onto the wall, secure the WOOD SCREWS(3) into the each WALL ANCHORS(2).
3. Attach the FIXTURE ASSEMBLY (5) to the MOUNTING PLATE (1) and secure with the SET SCREWS (4)
4. Lift the METAL SHADE (6) up onto the fixture and secure it using the SOCKET RING (7)
5. Screw the BULB (8) up into the SOCKET of the fixture. **THIS FIXTURE IS RATED FOR 60 WATT LAMP. DO NOT EXCEED THE RECOMMENDED WATTAGE!**
6. Restore power to the outlet at the breaker or fuse box.

ITEM	DESCRIPTION	PART NUMBER
1	MOUNTING PLATE	HDW-HL481202
2	WALL ANCHOR	HDW-HL481202
3	WOOD SCREW	HDW-HL481202
4	SET SCREW	HDW-HL481202
5	FIXTURE ASSEMBLY	FAS-HL481202
6	METAL SHADE	SHD-HL481202
7	SOCKET RING	RNG-HL481202
8	BULB	NOT INCLUDED
9	MOUNTING SCREW	HDW-HL481202
10	WIRE NUT	HDW-HL481202
11	GROUND SCREW	HDW-HL481202