



## Specification Sheets for 34½" tall Montlake vanities by Strasser Woodenworks.

### SPECIFICATION VARIANCES

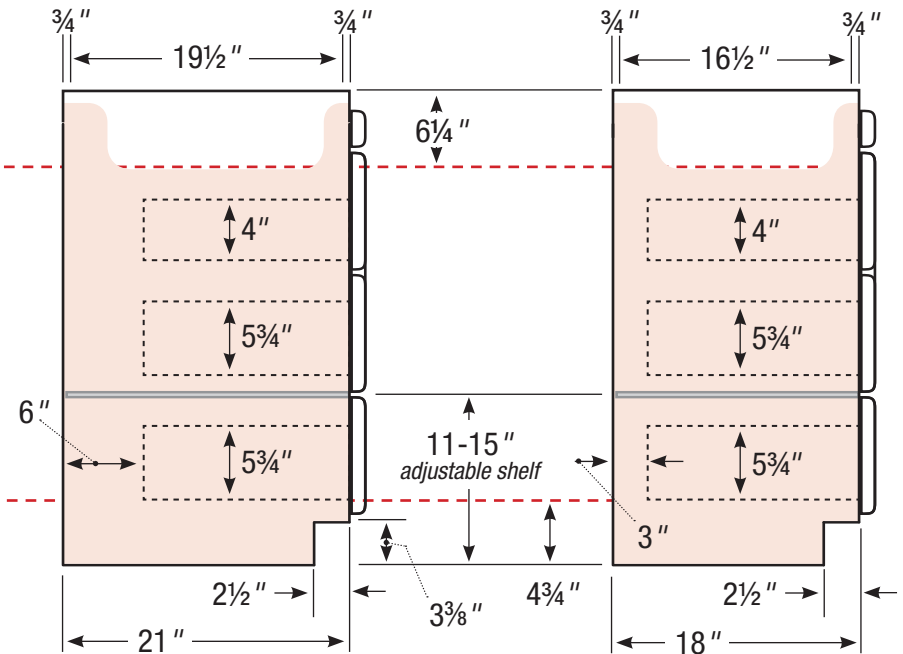
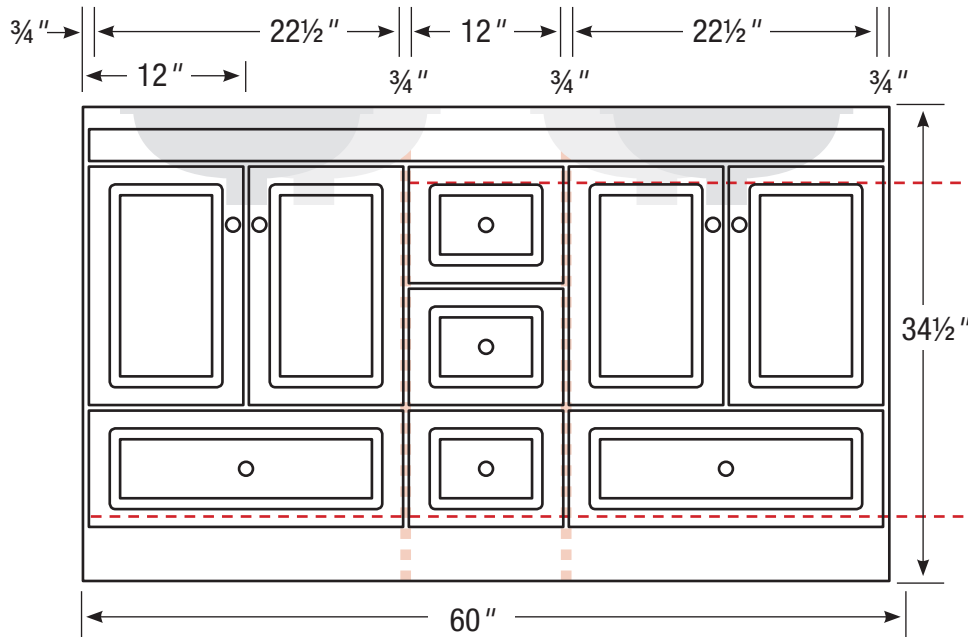
Dimensions on finished vanities may vary slightly from those shown on these specification sheets due to variability in construction materials.

Our products are engineered to maintain close dimensional tolerances but variability in manufacturing materials can change dimensions slightly (normally within  $\pm 1/8$ " but occasionally up to  $\pm 3/16$ ").

In most applications these slight variations will have no impact upon installation, appearance, or function. However, when planning and finishing a space for a built in vanity, **do not frame or finish the space before measuring the actual cabinet!**

We can not be responsible for any expenses incurred as a result of the end user or contractor not following this guideline.





Basin placement range varies with brand and model. Shown is for Kohler 2210.

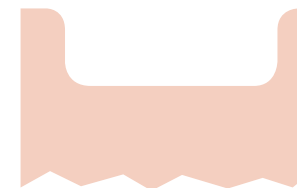
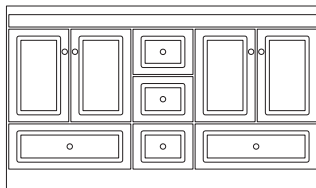
21" or 18" front-to-back option

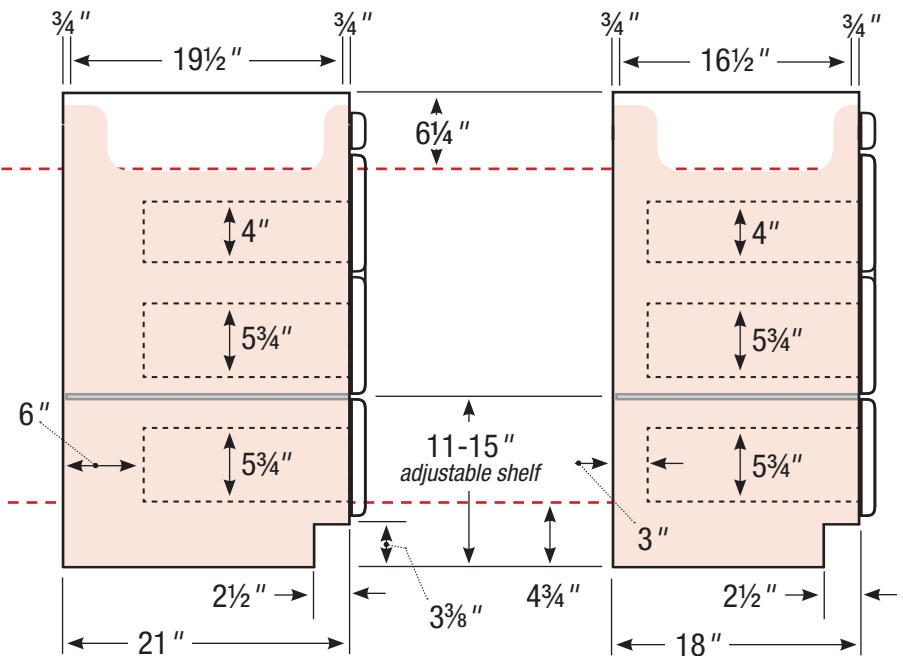
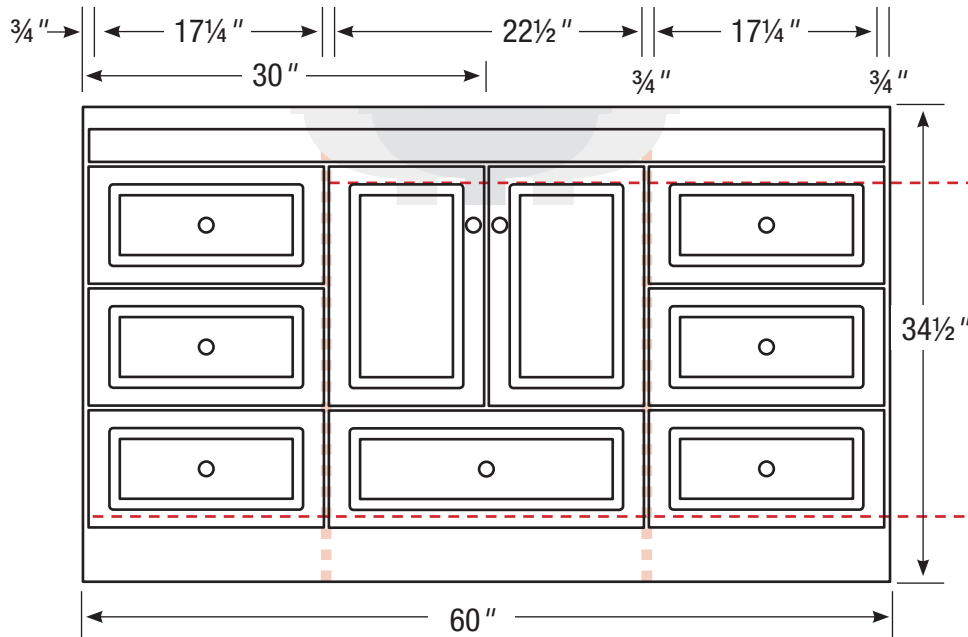
Internal Dividers ■■■■■

Internal Dividers

### 60" Vanity

Double Basin  
 60" wide  
 34½" tall  
 21" or 18" front-to-back





Basin placement range varies with brand and model.  
Shown is for Kohler 2210.

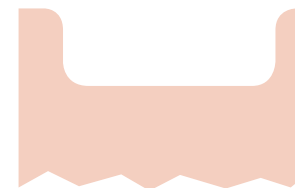
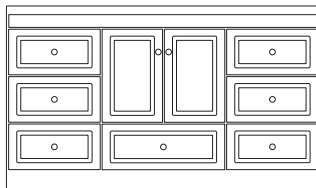
21" or 18" front-to-back option

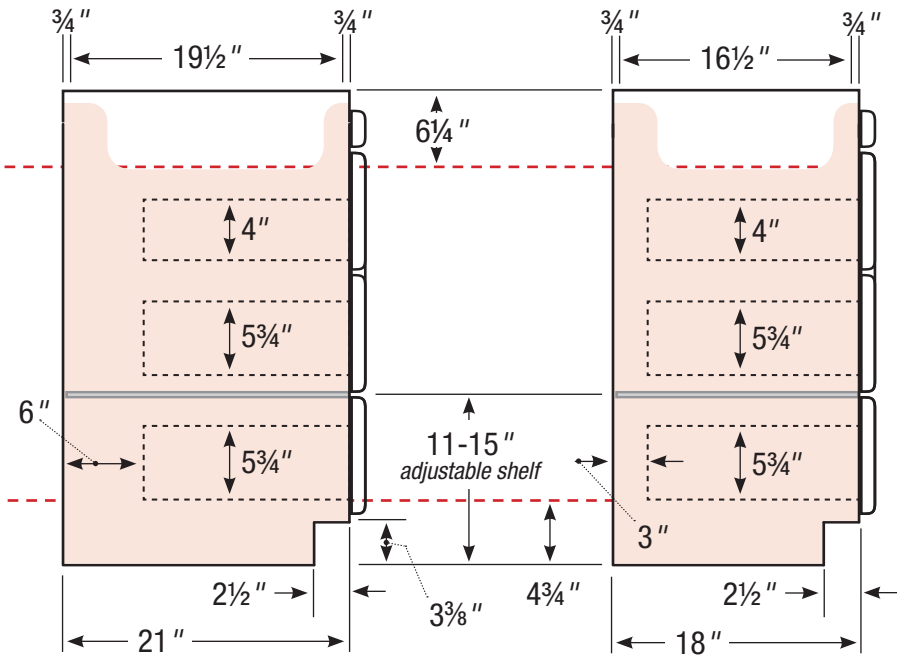
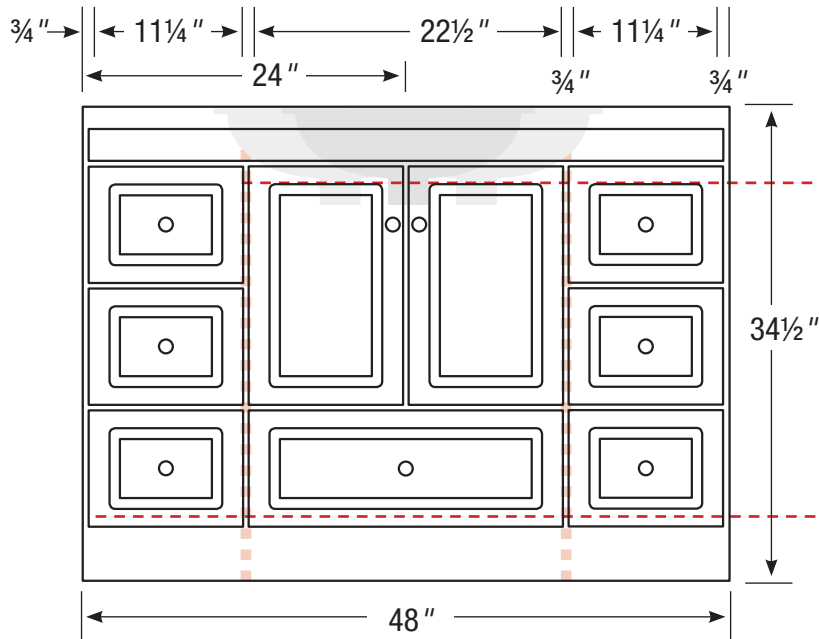
Internal Dividers ■■■■■■

Internal Dividers

### 60" Vanity

Center Basin  
60" wide  
34½" tall  
21" or 18" front-to-back





21" or 18" front-to-back option

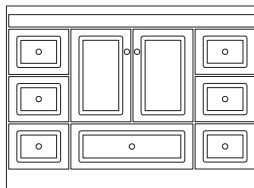
Basin placement range varies with brand and model. Shown is for Kohler 2210.

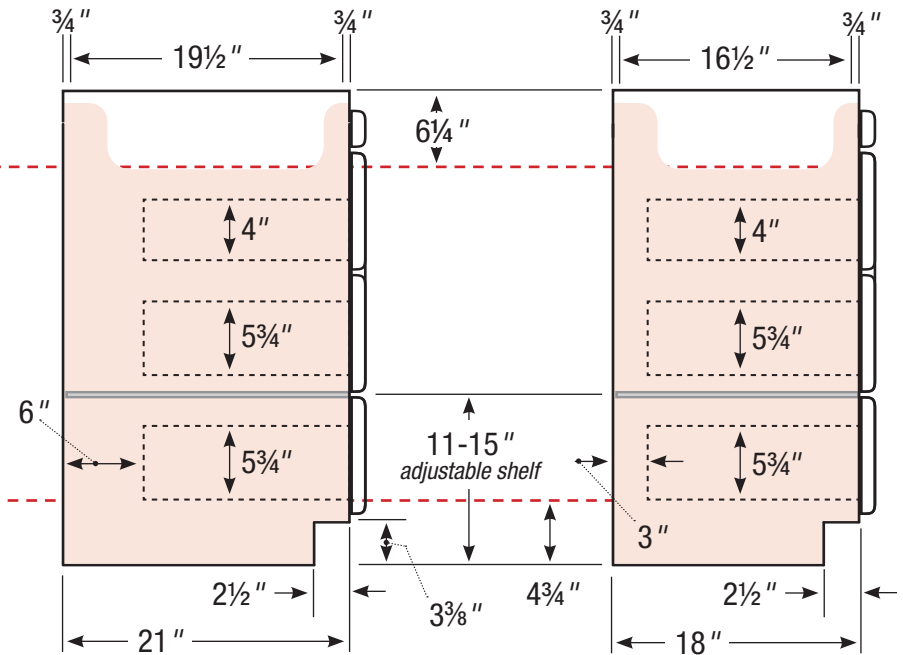
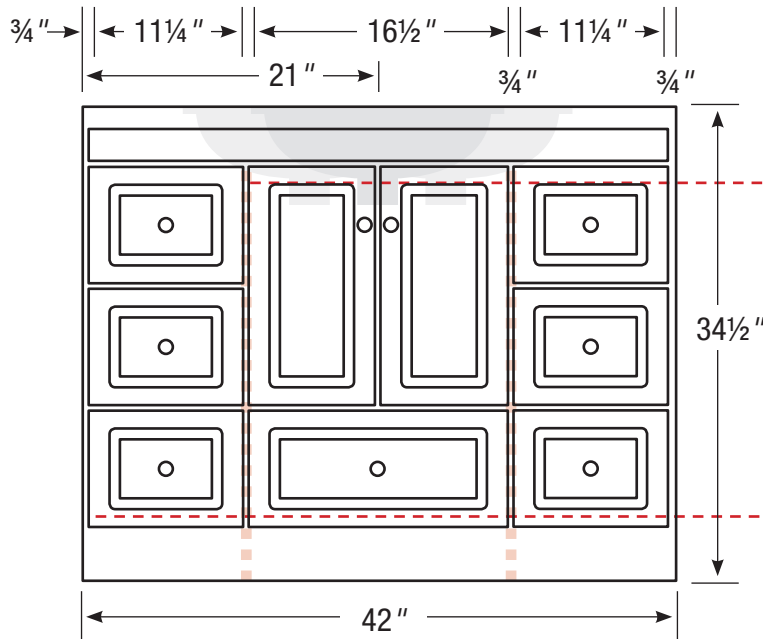
Internal Dividers ■■■■■■

Internal Dividers

### 48" Vanity

48" wide  
 34½" tall  
 21" or 18" front-to-back





Basin placement range varies with brand and model.  
Shown is for Kohler 2210.

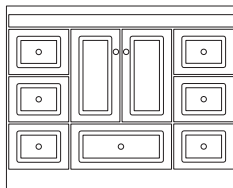
21" or 18" front-to-back option

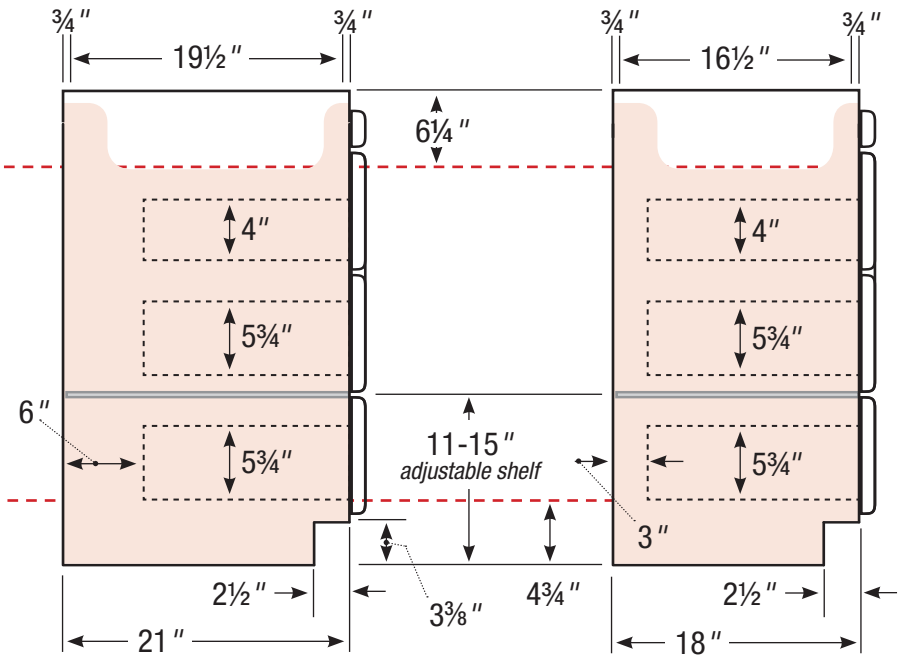
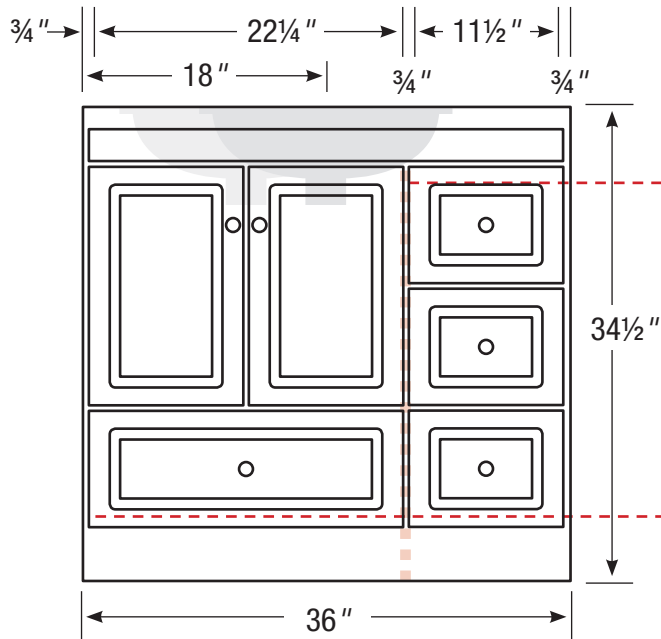
Internal Dividers ■■■■■■

Internal Dividers

### 42" Vanity

42" wide  
34½" tall  
21" or 18" front-to-back



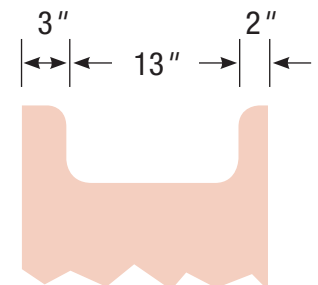
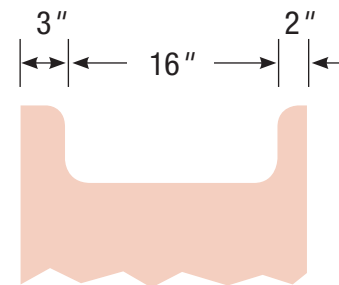
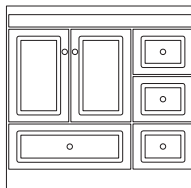


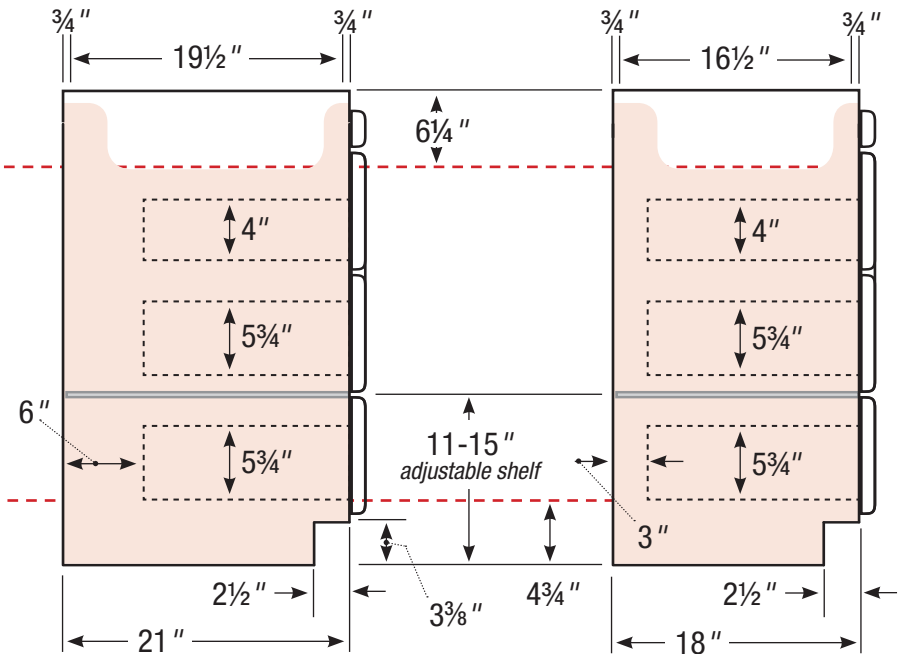
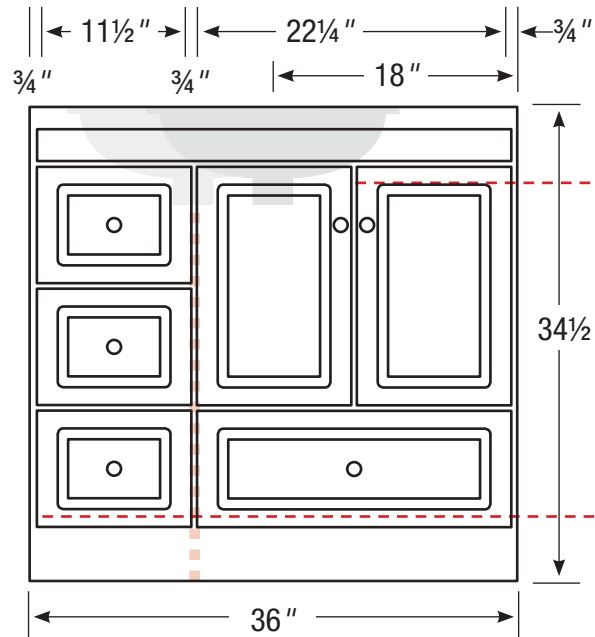
Basin placement range varies with brand and model.  
Shown is for Kohler 2210.

Internal Divider ■■■■■■

### 36" Vanity

Right Hand Drawers  
36" wide  
34½" tall  
21" or 18" front-to-back



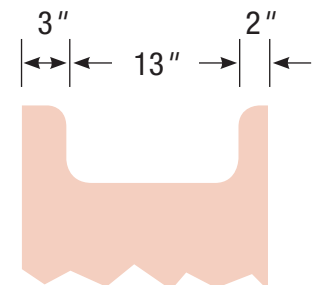
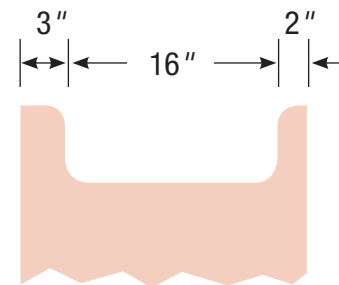
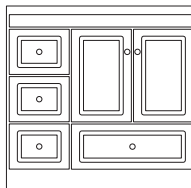


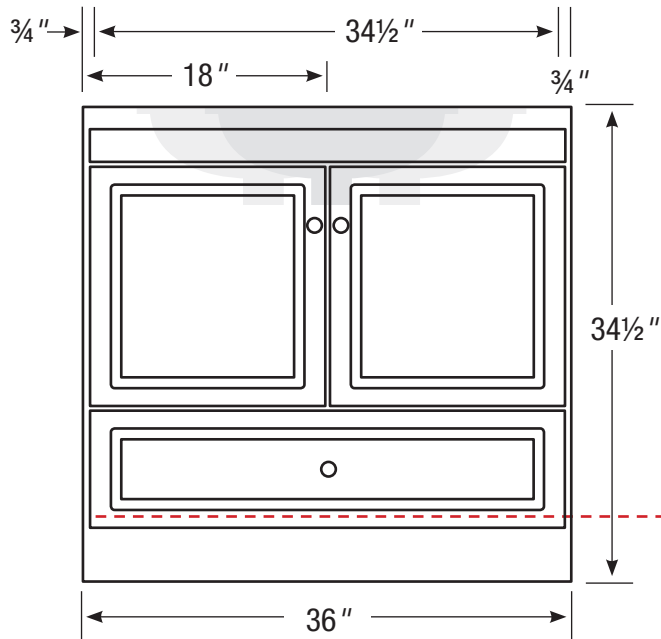
Basin placement range varies with brand and model.  
Shown is for Kohler 2210.

Internal Divider ■■■■■■

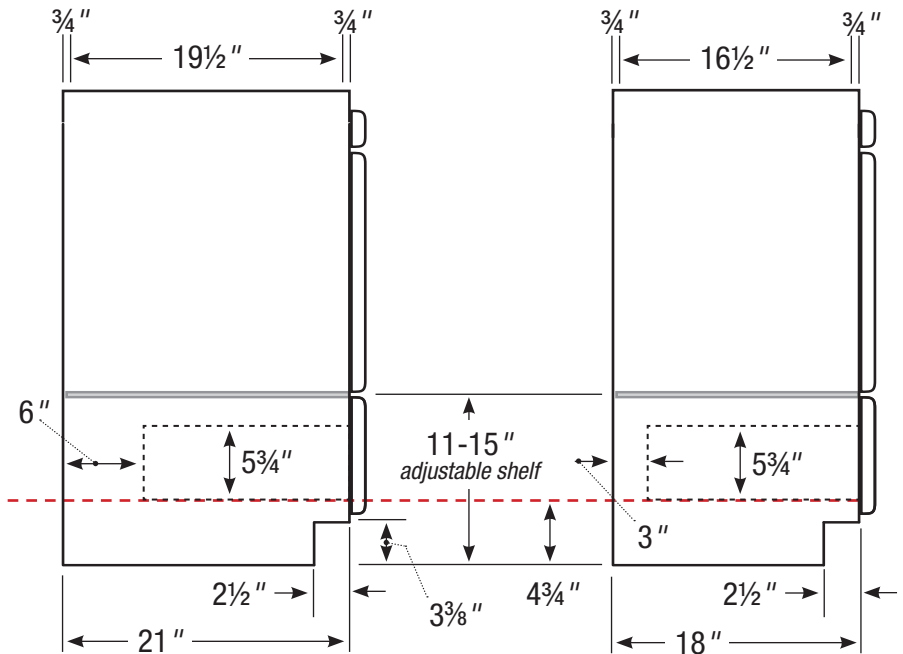
### 36" Vanity

Left Hand Drawers  
36" wide  
34½" tall  
21" or 18" front-to-back



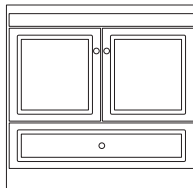


Basin placement range varies with brand and model.  
Shown is for Kohler 2210.



### 36" Vanity

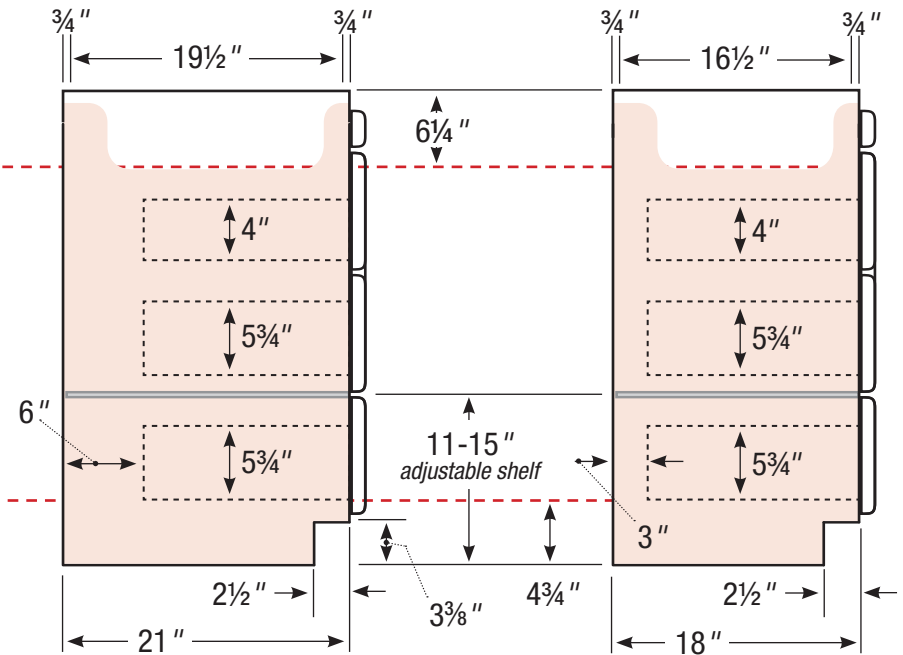
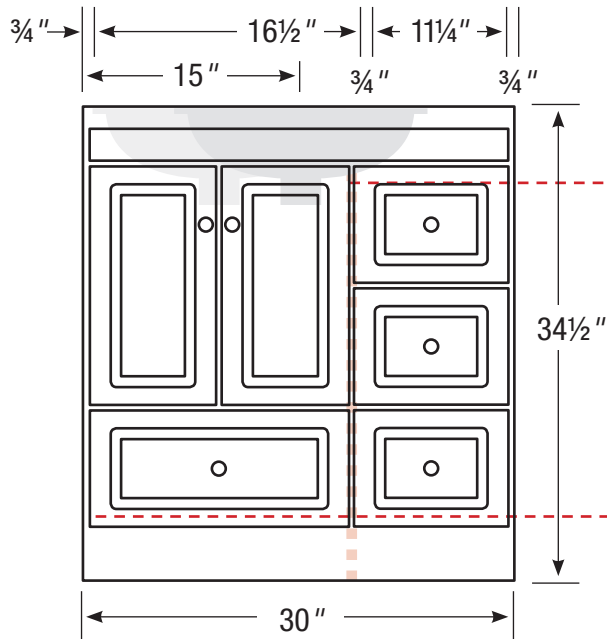
- No side drawers
- 36" wide
- 34½" tall
- 21" or 18" front-to-back







## 30" Montlake vanity (34½" tall) with right hand drawers



Basin placement range varies with brand and model.  
Shown is for Kohler 2210.

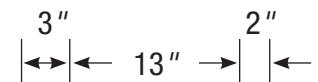
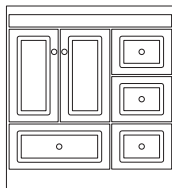
21" or 18" front-to-back option

Internal Divider ■■■■■■

Internal Dividers

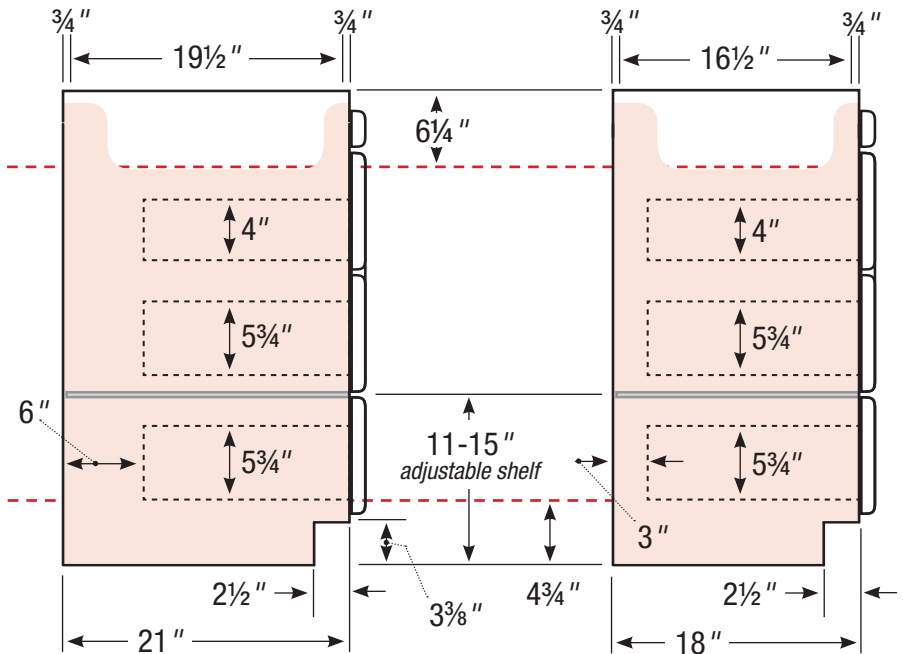
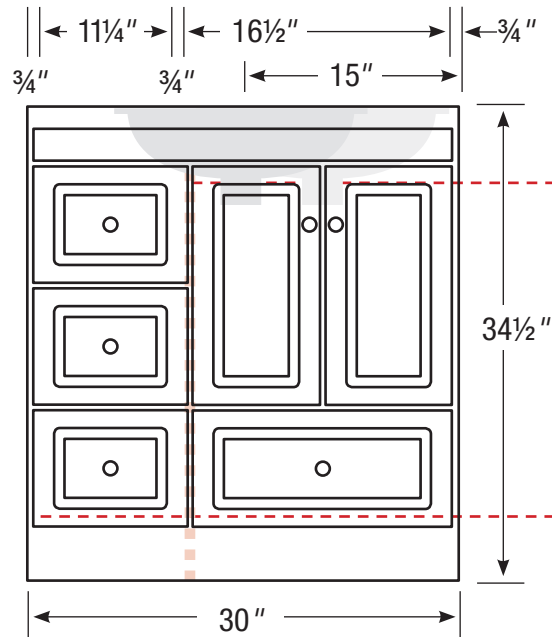
### 30" Vanity

Right Hand Drawers  
30" wide  
34½" tall  
21" or 18" front-to-back





## 30" Montlake vanity (34½" tall) with left hand drawers



Basin placement range varies with brand and model. Shown is for Kohler 2210.

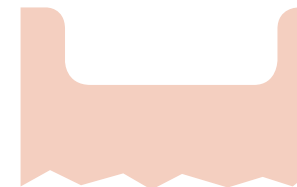
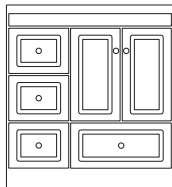
21" or 18" front-to-back option

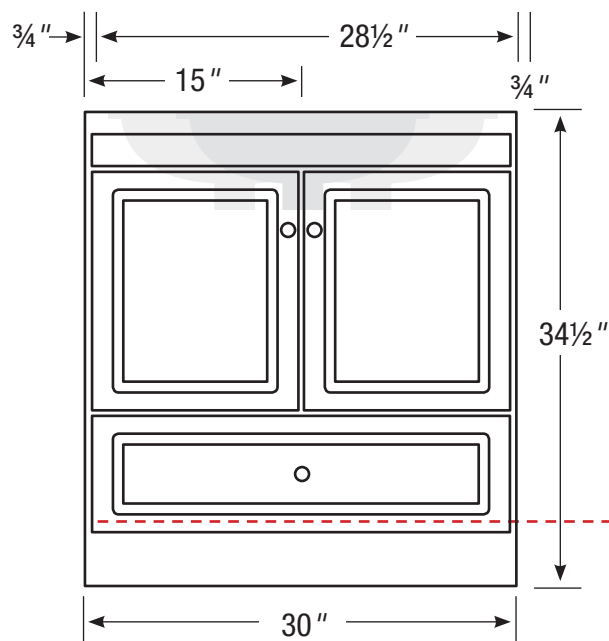
Internal Divider ■■■■■■

Internal Dividers

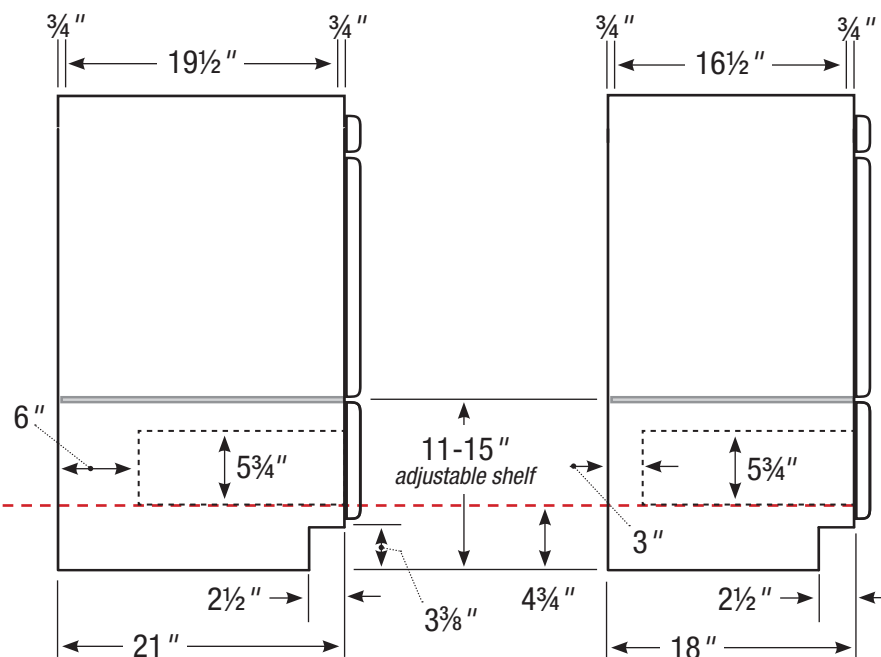
### 30" Vanity

Left Hand Drawers  
30" wide  
34½" tall  
21" or 18" front-to-back



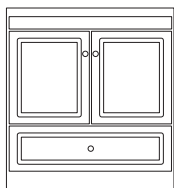


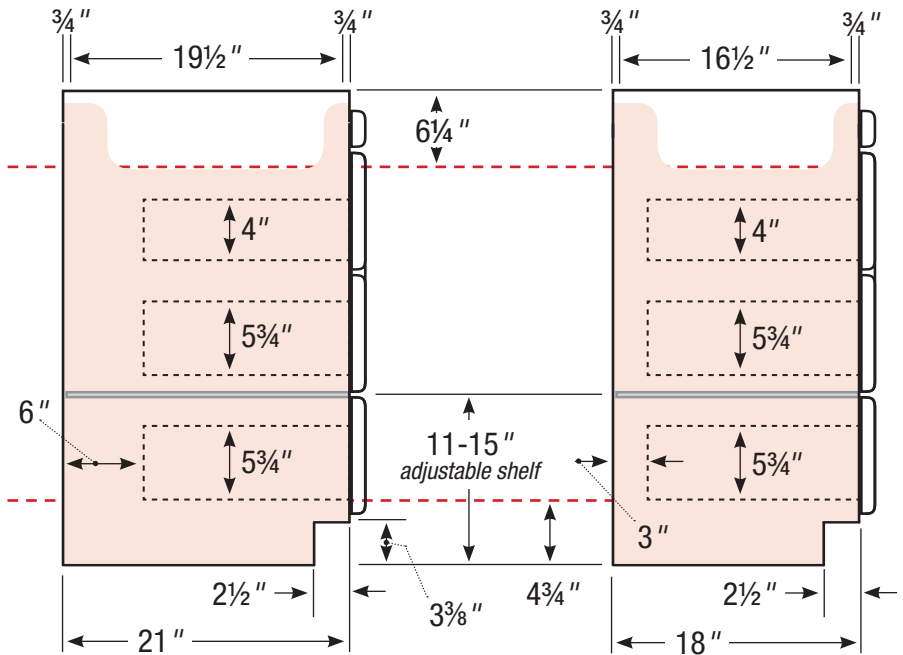
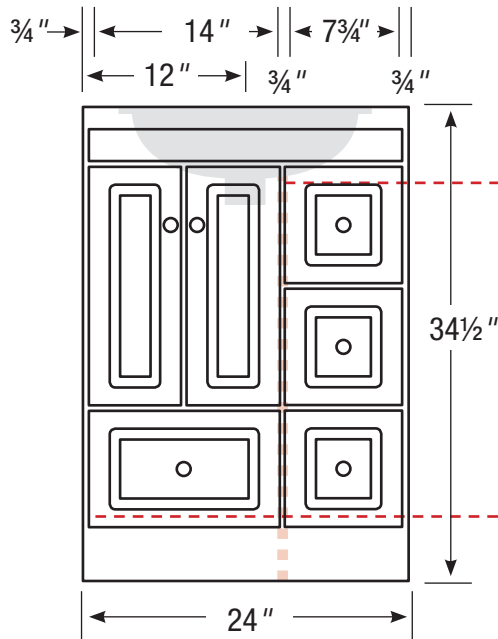
Basin placement range varies with brand and model.  
Shown is for Kohler 2210.



### 30" Vanity

- No side drawers
- 30" wide
- 34½" tall
- 21" or 18" front-to-back





Basin placement range varies with brand and model. Shown is for Kohler 2210.

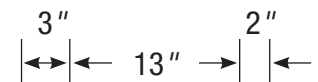
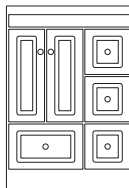
21" or 18" front-to-back option

Internal Divider ■■■■■■

Internal Dividers

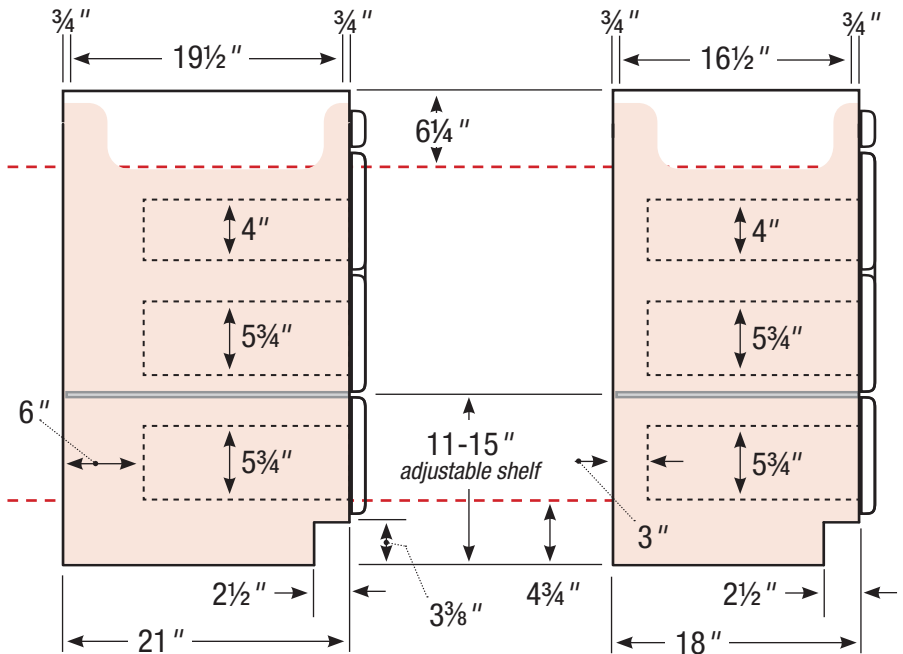
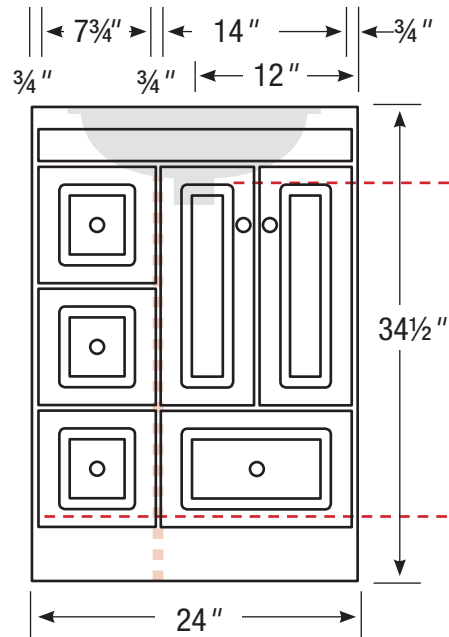
### 24" Vanity

Right Hand Drawers  
 24" wide  
 34½" tall (not avail. 32" tall)  
 21" or 18" front-to-back





## 24" Montlake vanity (34½" tall) with left hand drawers



Basin placement range varies with brand and model.  
Shown is for Kohler 2210.

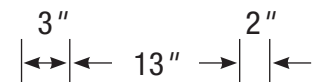
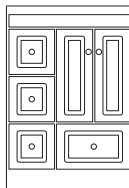
21" or 18" front-to-back option

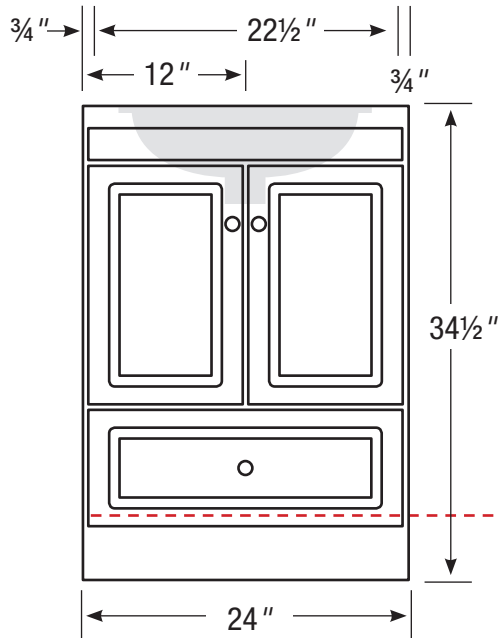
Internal Divider ■■■■■■

Internal Dividers

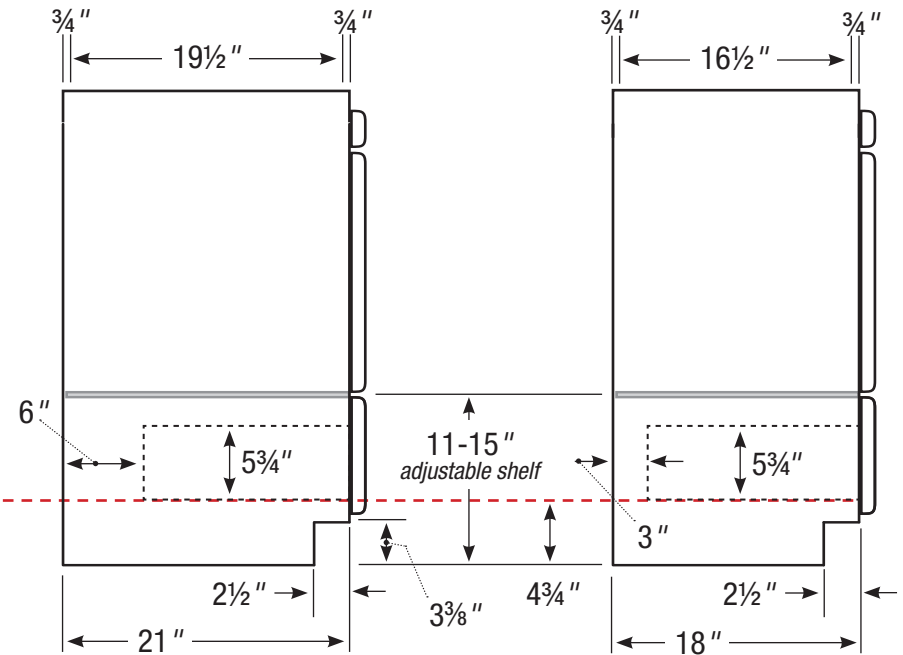
### 24" Vanity

Left Hand Drawers  
24" wide  
34½" tall (not avail. 32" tall)  
21" or 18" front-to-back





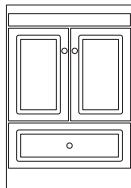
Basin placement range varies with brand and model. Shown is for Kohler 2210.

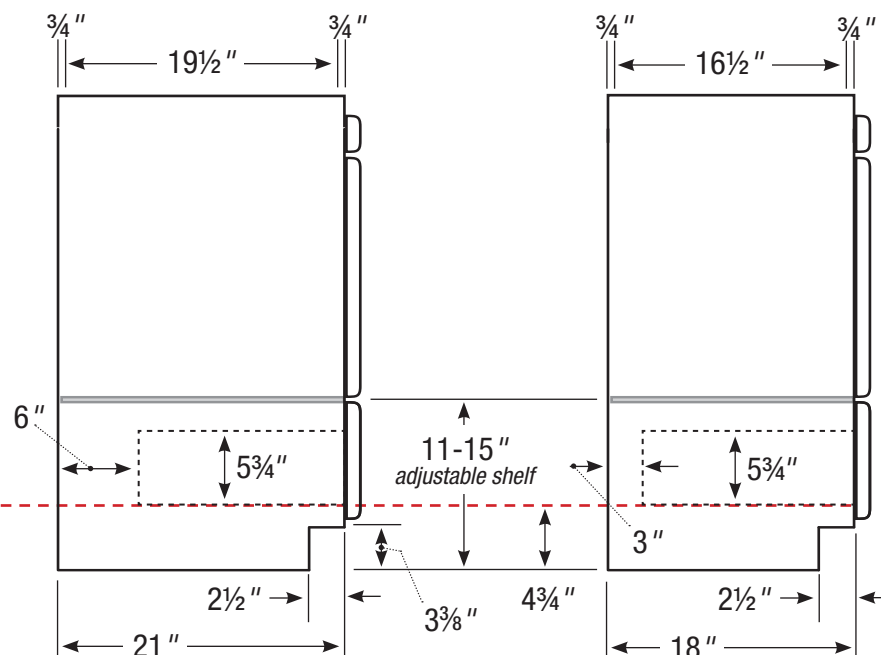
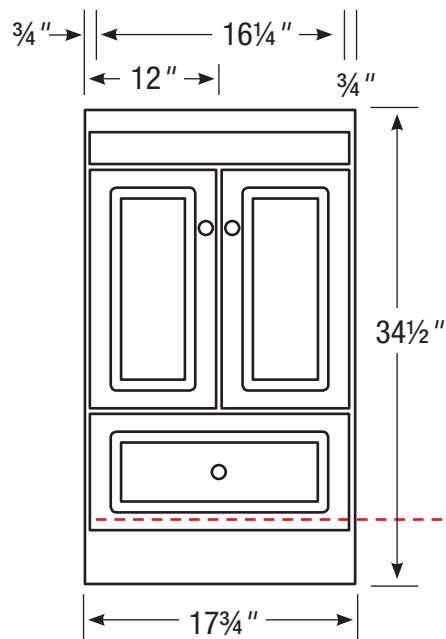


21" or 18" front-to-back option

### 24" Vanity / Linen Lower

24" wide  
34½" tall  
21" or 18" front-to-back

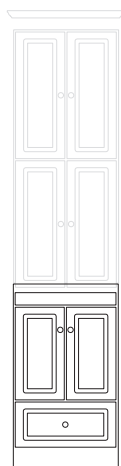
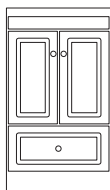


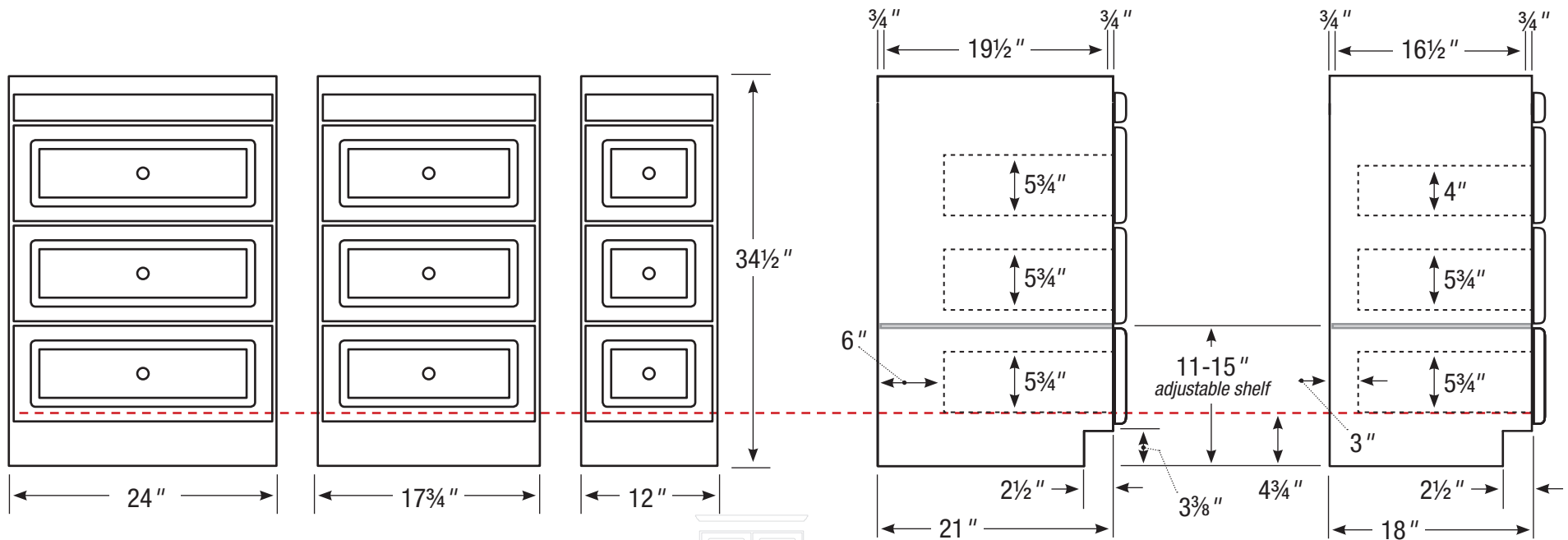


21" or 18" front-to-back option

### 18" Vanity / Linen Lower

17¾" wide  
34½" tall  
21" or 18" front-to-back

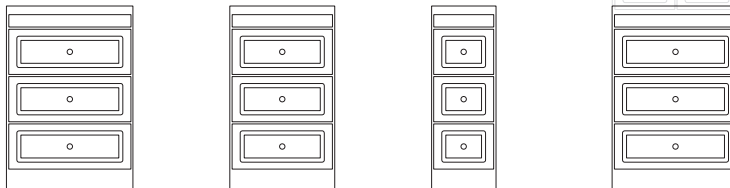




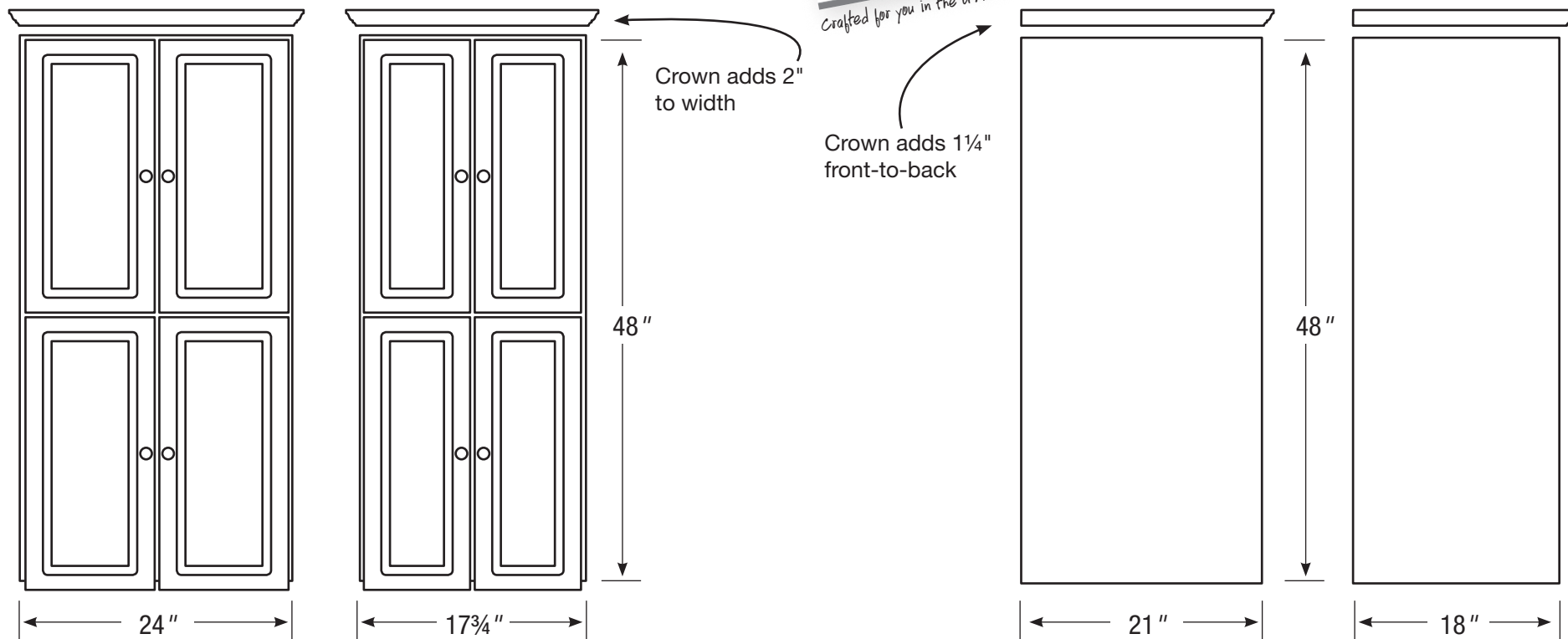
21" or 18" front-to-back option

### 24" & 18" Drawer Banks / Linen Lower; 12" Drawer Bank

24", 17¾", 12" wide  
34½" tall  
21" or 18" front-to-back

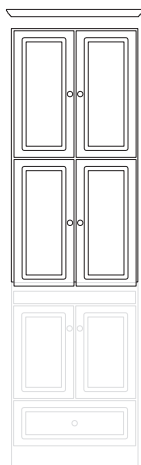






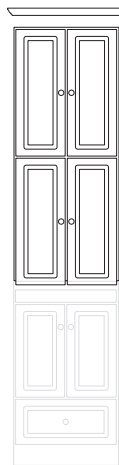
### 24" Linen Upper

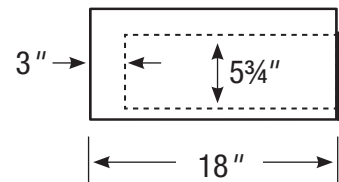
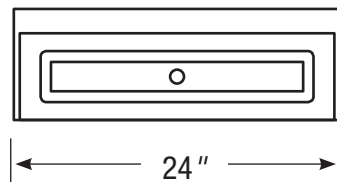
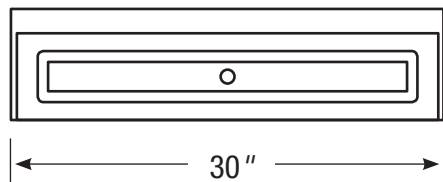
24" wide  
48" tall  
21" or 18" front-to-back



### 18" Linen Upper

17 3/4" wide  
48" tall  
21" or 18" front-to-back





### 30" or 24" Knee Drawers

30" or 24" wide

8" tall

18" front-to-back

(to fit either 21" or 18" deep sets)

