

# SPLIT-SYSTEM HEAT PUMP SLZ-KF09, KF12, KF15, KF18NA

## INSTALLATION MANUAL

For safe and correct use, please read this manual and the outdoor unit installation manual thoroughly before installing the air-conditioner unit.

FOR INSTALLER

## MANUEL D'INSTALLATION

Avant d'installer le climatiseur, lire attentivement ce manuel, ainsi que le manuel d'installation de l'appareil extérieur pour une utilisation sûre et correcte.

POUR L'INSTALLATEUR

## MANUAL DE INSTALACIÓN

Para un uso seguro y correcto, lea detalladamente este manual de instalación antes de montar la unidad de aire acondicionado.

PARA EL INSTALADOR

English

Français

Español

# Contents

1. Safety precautions .....	2	7. Electrical work .....	8
2. Selecting the installation location .....	2	8. Test run .....	14
3. Installation diagram .....	3	9. System control .....	16
4. Installing the indoor unit .....	3	10. Installing the grille .....	16
5. Refrigerant piping work .....	5	11. Easy maintenance function .....	19
6. Drainage piping work .....	7		

**Note:**  
The phrase “Wired remote controller” in this installation manual refers only to the PAR-33MAA. If you need any information for the other remote controller, please refer to either the installation manual or initial setting manual which are included in these boxes.

## 1. Safety precautions

- Be sure to read “Safety precautions” before installing the air conditioner.
- Be sure to observe the cautions specified here as they include important items related to safety.
- The indications and meanings are as follows.

**Warning:**  
Could lead to death, serious injury, etc.

**Caution:**  
Could lead to serious injury in particular environments when operated incorrectly.

- **Warning:**  
Do not install it by yourself (customer).  
Incomplete installation could cause injury due to fire, electric shock, the unit falling or leakage of water. Consult the dealer from whom you purchased the unit or special installer.
- Install the unit securely in a place which can bear the weight of the unit.  
When installed in an insufficient strong place, the unit could fall causing injured.
- Use the specified wires to connect the indoor and outdoor units securely and attach the wires firmly to the terminal board connecting sections so the stress of the wires is not applied to the sections.  
Incomplete connecting and fixing could cause fire.
- Do not use intermediate connection of the power cord or the extension cord and do not connect many devices to one AC outlet.  
It could cause a fire or an electric shock due to defective contact, defective insulation, exceeding the permissible current, etc.
- Check that the refrigerant gas does not leak after installation has completed.
- Perform the installation securely referring to the installation manual.  
Incomplete installation could cause a personal injury due to fire, electric shock, the unit falling or leakage of water.
- Perform electrical work according to the installation manual and be sure to use an exclusive circuit.  
If the capacity of the power circuit is insufficient or there is incomplete electrical work, it could result in a fire or an electric shock.
- The user should never attempt to repair the unit or transfer it to another location.

- **Caution:**  
Perform grounding.  
Do not connect the ground wire to a gas pipe, water pipe arrester or telephone ground wire. Defective grounding could cause an electric shock.
- Do not install the unit in a place where an inflammable gas leaks.  
If gas leaks and accumulates in the area surrounding the unit, it could cause an explosion.
- Install a ground leakage breaker depending on the installation place (where it is humid).  
If a ground leakage breaker is not installed, it could cause an electric shock.
- Perform the drainage/piping work securely according to the installation manual.

## 2. Selecting the installation location

### 2.1. Indoor unit


- Where airflow is not blocked.
- Where cool air spreads over the entire room.
- Where it is not exposed to direct sunshine.
- At a distance 1 m (3 ft) or more away from your TV and radio (to prevent picture from being distorted or noise from being generated).

### 2.2. Wireless remote controller mounting (For PAR-SF9FA-E\*)

- Place of mounting
  - Where it is easy to operate and easily visible.
  - Where children can not touch.

Mounting  
Select a position about 1.2 m (4 ft) above the floor, check that signals from the remote controller are surely received by the indoor unit from that position ('beep' or 'beep-beep' receiving tone sounds). After that, attach remote controller holder to a pillar or wall and set the wireless remote controller.

- After reading this manual, be sure to keep it together with the instruction manual in a handy place on the customer's site.

 : Indicates a part which must be grounded.

**Warning:**  
Carefully read the labels affixed to the main unit.  
Install the indoor unit at least 2.4 m (8 ft) above floor or grade level.  
For appliances not accessible to the general public.

- The appliance shall be installed in accordance with national wiring regulations.
- If the supply cord is damaged, it must be replaced by the manufacturer, its service agent or similarly qualified persons in order to avoid a hazard.
- Attach the electrical part cover to the indoor unit and the service panel to the outdoor unit securely.  
If the electrical part cover in the indoor unit and/or the service panel in the outdoor unit are not attached securely, it could result in a fire or an electric shock due to dust, water, etc.
- Be sure to use the part provided or specified parts for the installation work.  
The use of defective parts could cause an injury or leakage of water due to a fire, an electric shock, the unit falling, etc.
- Ventilate the room if refrigerant leaks during operation.  
If the refrigerant comes in contact with a flame, poisonous gases will be released.
- When installing or relocating, or servicing the air conditioner, use only the specified refrigerant (R410A) to charge the refrigerant lines. Do not mix it with any other refrigerant and do not allow air to remain in the lines.  
If air is mixed with the refrigerant, then it can be the cause of abnormal high pressure in the refrigerant line, and may result in an explosion and other hazards.  
The use of any refrigerant other than that specified for the system will cause mechanical failure or system malfunction or unit breakdown. In the worst case, this could lead to a serious impediment to securing product safety.

- If there is a defect in the drainage/piping work, water could drop from the unit and household goods could be wet and damaged.
- Fasten a flare nut with a torque wrench as specified in this manual.  
When fastened too tight, a flare nut may broken after a long period and cause a leakage of refrigerant.
- If the unit is run for long hours when the air above the ceiling is at high temperature/high humidity (dew point above 26 °C, 79 °F), dew condensation may be produced in the indoor unit or the ceiling materials. When operating the units in this condition, add insulation material (10 to 20 mm, 13/32 to 15/32 in) to the entire surface of the unit and ceiling materials to avoid dew condensation.

- In a place as far away as possible from fluorescent and incandescent lights (so the infrared remote control can operate the air conditioner normally).
- Where the air filter can be removed and replaced easily.

**Warning:**  
Mount the indoor unit into a ceiling strong enough to withstand the weight of the unit.

In rooms where inverter type fluorescent lamps are used, the signal from the wireless remote controller may not be received.

### 3. Installation diagram

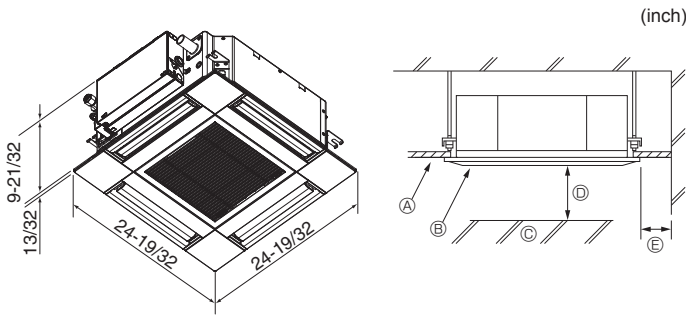


Fig. 3-1

#### 3.1. Indoor unit (Fig. 3-1)

- Ⓐ Ceiling
  - Ⓑ Grille
  - Ⓒ Obstacle
  - Ⓓ Min. 1000 mm (40 inch)
  - Ⓔ Min. 500 mm (20 inch) (Entire periphery)
- If setting the maintenance space for Ⓔ, be sure to leave a minimum of 700 mm (28 inch).

**⚠ Warning:**

Mount the indoor unit on a ceiling strong enough to withstand the weight of the unit.

#### 3.2. Outdoor unit

Refer to the outdoor unit installation manual.

### 4. Installing the indoor unit

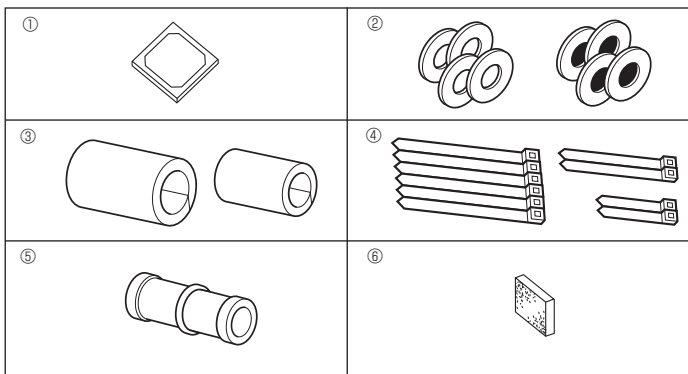


Fig. 4-1

#### 4.1. Check the indoor unit accessories (Fig. 4-1)

The indoor unit should be supplied with the following accessories.

	Accessory name	Q'ty
①	Installation template	1
②	Washers (with insulation)	4
	Washers (without insulation)	4
③	Pipe cover (for refrigerant piping joint)	
	small diameter (liquid)	1
	large diameter (gas)	1
④	Band (large)	6
	Band (middle)	2
	Band (small)	2
⑤	Drain socket	1
⑥	Insulation	1

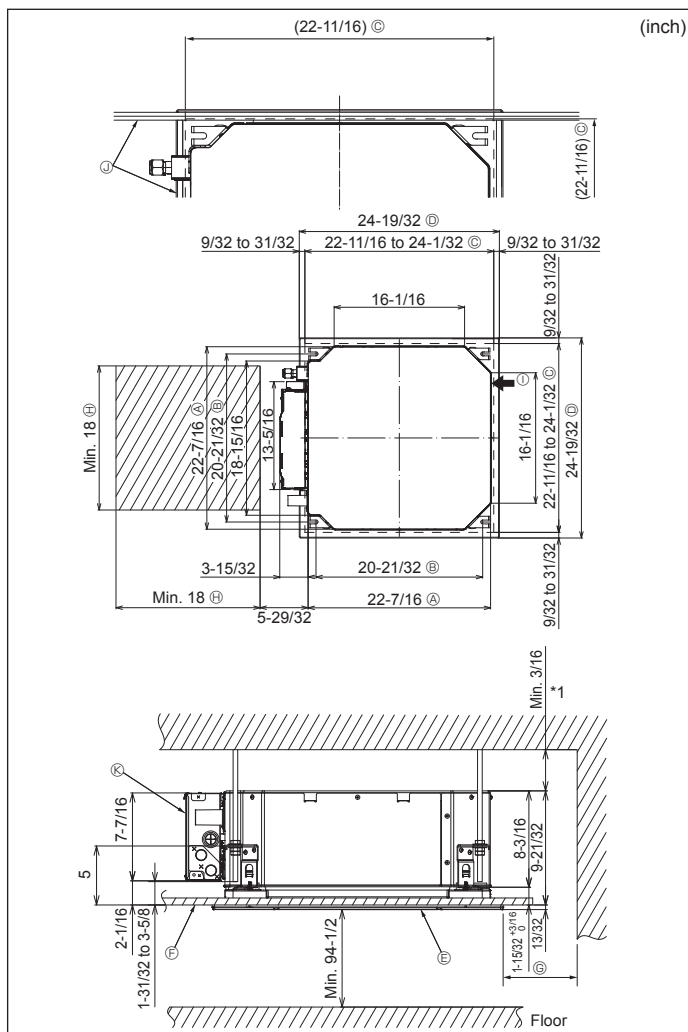


Fig. 4-2

#### 4.2. Ceiling openings and suspension bolt installation locations (Fig. 4-2)

**⚠ Caution:**

Install the indoor unit at least 2.4 m (8 ft) above floor or grade level.  
For appliances not accessible to the general public.

- Using the installation template and the gauge (supplied as an accessory with the grille), make an opening in the ceiling so that the main unit can be installed as shown in the diagram. (The method for using the template and the gauge are shown.)
  - \* Before using, check the dimensions of template and gauge, because they change due to fluctuations of temperature and humidity.
  - \* The dimensions of ceiling opening can be regulated within the range shown in following diagram; so center the main unit against the opening of ceiling, ensuring that the respective opposite sides on all sides of the clearance between them becomes identical.
- Use M10 (3/8") suspension bolts.
  - \* Suspension bolts are to be procured at the field.
- Install securely, ensuring that there is no clearance between the ceiling panel & grille, and between the main unit & grille.

- Ⓐ Outer side of main unit
- Ⓑ Bolt pitch
- Ⓒ Ceiling opening
- Ⓓ Outer side of Grille
- Ⓔ Grille
- Ⓕ Ceiling
- Ⓖ Min. 500 mm (20 inch) (Entire periphery)
- If setting the maintenance space for Ⓖ, be sure to leave a minimum of 700 mm (28 inch).
- Ⓗ Maintenance space
- Ⓘ Fresh air intake
- Ⓚ Angle
- Ⓛ Electric component box

\* Leave the maintenance space at the electric component box end.

\*1 When installing in an existing ceiling unit location or applying additional heat insulation, ensure a minimum space of 25 mm (1 inch).

## 4. Installing the indoor unit

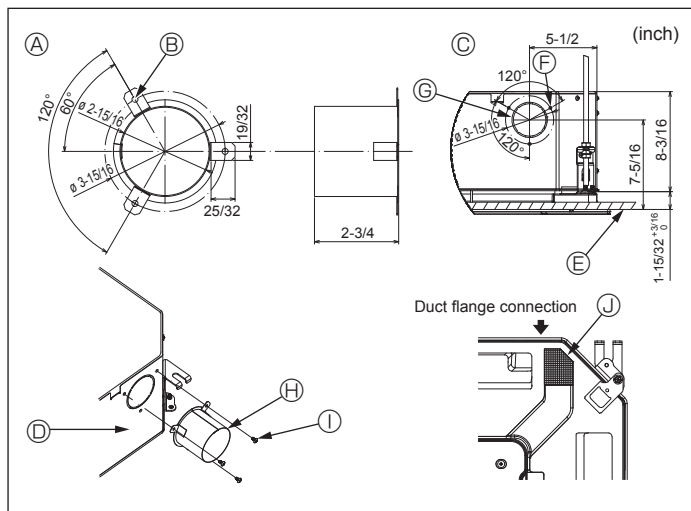


Fig. 4-3

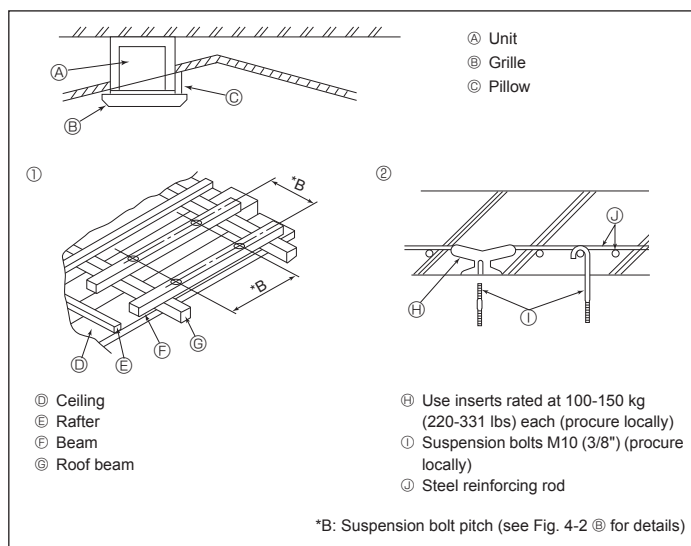


Fig. 4-4

### 4.3. Installation of duct (in case of fresh air intake) (Fig. 4-3)

#### ⚠ Caution:

#### Linkage of duct fan and air conditioner

In case that a duct fan is used, be sure to make it linked with the air conditioner when outside air is taken.

Do not run the duct fan only. It can cause dew drop.

#### Making a duct flange (prepared locally)

The shape of duct flange shown left is recommended.

#### Installation of duct flange

Cut out the cutout hole. Do not knock it out.

Install a duct flange to the cutout hole of the indoor unit with three 4 × 10 mm tapping screws which should be prepared locally.

#### Installation of duct (should be prepared locally)

Prepare a duct of which inner diameter fits into the outer diameter of the duct flange. In case that the environment above the ceiling is high temperature and high humidity, wrap the duct in a heat insulate to avoid causing dew drop on the wall.

#### Remove the drain pan insulation.

- |  |  |
|--|--|
| (A) Duct flange recommended shape (Thickness:0.8 mm (1/32 inch) or more) | (F) 3-Tapping screw hole                       |
| (B) 3-ø5 mm (3/16 inch) hole   | (G) ø73.4 mm (2-7/8 inch) cutout hole          |
| (C) Detail drawing of fresh air intake                                   | (H) Duct flange (Prepared locally)             |
| (D) Indoor unit  | (I) 4 × 10 mm Tapping screw (Prepared locally) |
| (E) Ceiling surface  | (J) Insulation                                 |

### 4.4. Suspension structure (Give site of suspension strong structure) (Fig. 4-4)

The ceiling work differs according to the construction of the building. Building constructors and interior decorators should be consulted for details.

(1) Extent of ceiling removal: The ceiling must be kept completely horizontal and the ceiling foundation (framework: wooden slats and slat holders) must be reinforced in order to protect the ceiling from vibration.

(2) Cut and remove the ceiling foundation.

(3) Reinforce the ends of the ceiling foundation where it has been cut and add ceiling foundation for securing the ends of the ceiling board.

(4) When installing the unit on a slanting ceiling, interlock a pillow between the ceiling and the grille and set so that the unit is installed horizontally.

#### ① Wooden structures

Use tie beams (single-story houses) or second floor beams (two story houses) as reinforcing members.

Wooden beams for suspending air conditioners must be sturdy and their sides must be at least 6 cm (2-3/8 inch) long if the beams are separated by not more than 90 cm (36 inch) and their sides must be at least 9 cm (3-9/16 inch) long if the beams are separated by as much as 180 cm (71 inch). The size of the suspension bolts should be ø10 (3/8"). (The bolts do not come with the unit.)

#### ② Ferroconcrete structures

Secure the suspension bolts using the method shown, or use steel or wooden hangers, etc. to install the suspension bolts.

### 4.5. Unit suspension procedures (Fig. 4-5)

Suspend the main unit as shown in the diagram.

1. In advance, set the parts onto the suspension bolts in the order of the washers (with insulation), washers (without insulation) and nuts (double).

Fit the washer with cushion so that the insulation faces downward.

In case of using upper washers to suspend the main unit, the lower washers (with insulation) and nuts (double) are to be set later.

2. Lift the unit to the proper height of the suspension bolts to insert the mounting plate between washers and then fasten it securely.

3. When the main unit can not be aligned against the mounting hole on the ceiling, it is adjustable owing to a slot provided on the mounting plate. (Fig. 4-6)

Make sure that step A is performed within 37-42 mm (1-15/32 to 1-21/32 inch). Damage could result by failing to adhere to this range.

### 4.6. Confirming the position of main unit and tightening the suspension bolts (Fig. 4-7)

Using the gauge attached to the grille, ensure that the bottom of the main unit is properly aligned with the opening of the ceiling. Be sure to confirm this, otherwise condensation may form and drip due to air leakage etc.

Confirm that the main unit is horizontally levelled, using a level or a vinyl tube filled with water.

After checking the position of the main unit, tighten the nuts of the suspension bolts securely to fasten the main unit.

The installation template can be used as a protective sheet to prevent dust from entering the main unit when the grilles are left unattached for a while or when the ceiling materials are to be lined after installation of the unit is finished.

\* As for the details of fitting, refer to the instructions given on the Installation template.

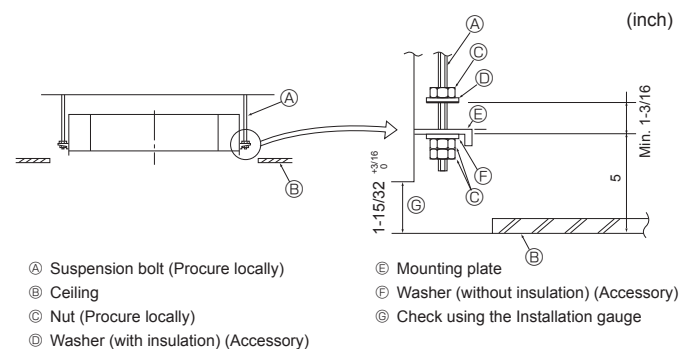


Fig. 4-5

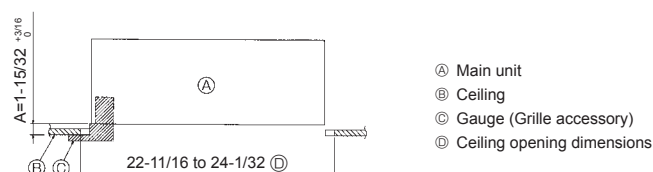


Fig. 4-6

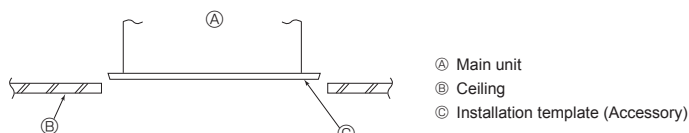


Fig. 4-7

## 5. Refrigerant piping work

### 5.1. Precautions

For devices that use R410A refrigerant

- Use alkylbenzene oil (small amount) as the refrigeration oil applied to the flared sections.
- Use C1220 copper phosphorus for copper and copper alloy seamless pipes, to connect the refrigerant pipes. Use refrigerant pipes with the thicknesses specified in the table below. Make sure the insides of the pipes are clean and do not contain any harmful contaminants such as sulfuric compounds, oxidants, debris, or dust.

#### ⚠ Warning:

When installing or relocating, or servicing the air conditioner, use only the specified refrigerant written on outdoor unit to charge the refrigerant lines. Do not mix it with any other refrigerant and do not allow air to remain in the lines.

If air is mixed with the refrigerant, then it can be the cause of abnormal high pressure in the refrigerant line, and may result in an explosion and other hazards.

The use of any refrigerant other than that specified for the system will cause mechanical failure or system malfunction or unit breakdown. In the worst case, this could lead to a serious impediment to securing product safety.

### 5.2. Refrigerant pipe (Fig. 5-1)

#### Piping preparation

(1) Table below shows the specifications of pipes commercially available.

Model	Pipe	Outside diameter		Min. wall thickness	Insulation thickness	Insulation material
		mm	inch			
SLZ-KF09 SLZ-KF12	For liquid	6.35	1/4	0.8 mm (1/32 inch)	8 mm (10/32 inch)	Heat resisting foam plastic 0.045 specific gravity
	For gas	9.52	3/8	0.8 mm (1/32 inch)	8 mm (10/32 inch)	
SLZ-KF15 SLZ-KF18	For liquid	6.35	1/4	0.8 mm (1/32 inch)	8 mm (10/32 inch)	
	For gas	12.7	1/2	0.8 mm (1/32 inch)	8 mm (10/32 inch)	

(2) Ensure that the 2 refrigerant pipes are well insulated to prevent condensation.

(3) Refrigerant pipe bending radius must be 100 mm (4 inch) or more.

#### ⚠ Caution:

Using careful insulation of specified thickness. Excessive thickness prevents storage behind the indoor unit and smaller thickness causes dew drippage.

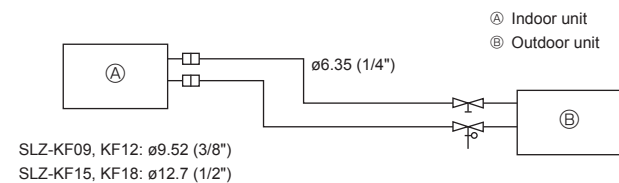


Fig. 5-1

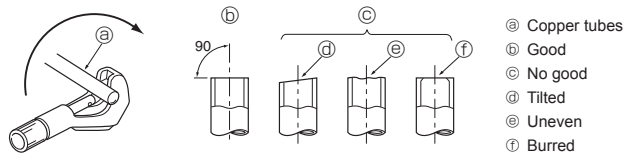


Fig. 5-2

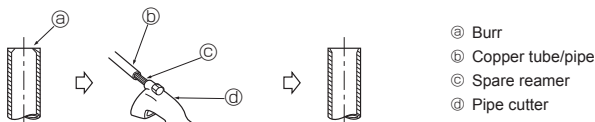


Fig. 5-3

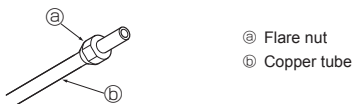


Fig. 5-4

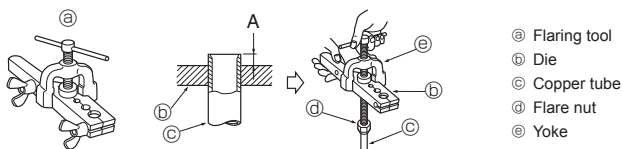


Fig. 5-5

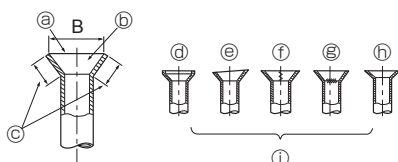


Fig. 5-6

### 5.3. Flaring work

- Main cause of gas leakage is defect in flaring work. Carry out correct flaring work in the following procedure.

#### 5.3.1. Pipe cutting (Fig. 5-2)

- Using a pipe cutter cut the copper tube correctly.

#### 5.3.2. Burrs removal (Fig. 5-3)

- Completely remove all burrs from the cut cross section of pipe/tube.
- Put the end of the copper tube/pipe to downward direction as you remove burrs in order to avoid burrs drop in the tubing.

#### 5.3.3. Putting nut on (Fig. 5-4)

- Remove flare nuts attached to indoor and outdoor unit, then put them on pipe/tube having completed burr removal. (not possible to put them on after flaring work)

#### 5.3.4. Flaring work (Fig. 5-5)

- Carry out flaring work using flaring tool as shown at the right.

Pipe diameter (mm, inch)	Dimension	
	A (mm, inch)	
	When the tool for R410A is used	
	Clutch type	
6.35, 1/4"	0 to 0.5, 0 to 1/64	9.1, 11/32
9.52, 3/8"	0 to 0.5, 0 to 1/64	13.2, 17/32
12.7, 1/2"	0 to 0.5, 0 to 1/64	16.6, 21/32

Firmly hold copper tube in a die in the dimension shown in the table at above.

#### 5.3.5. Check (Fig. 5-6)

- Compare the flared work with a figure in right side hand.
- If flare is noted to be defective, cut off the flared section and do flaring work again.
  - ⓐ Smooth all around
  - ⓑ Inside is shining without any scratches
  - ⓒ Even length all around
  - ⓓ Too much
  - ⓔ Tilted
  - ⓕ Scratch on flared plane
  - ⓖ Cracked
  - ⓗ Uneven
  - ⓘ Bad examples

## 5. Refrigerant piping work

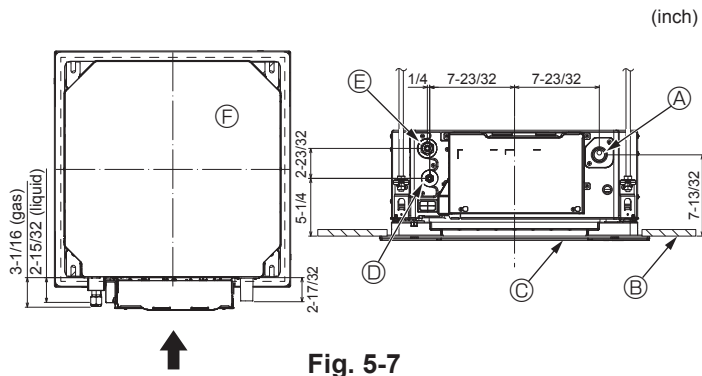


Fig. 5-7

### 5.4. Refrigerant and drainage piping locations (Fig. 5-7)

- Ⓐ Drain pipe
- Ⓑ Ceiling
- Ⓒ Grille
- Ⓓ Refrigerant pipe (liquid)
- Ⓔ Refrigerant pipe (gas)
- Ⓕ Main unit

Model	Dimension (mm, inch)	
	A (liquid)	B (gas)
SLZ-KF09	63, 2-15/32	72, 2-27/32
SLZ-KF12		
SLZ-KF15	63, 2-15/32	78, 3-1/16
SLZ-KF18		

### 5.5. Pipe connection (Fig. 5-8)

#### Indoor unit

##### 1) When using commercially available copper pipes:

- Apply thin layer of refrigerant oil to pipe and joint seating surface before tightening flare nut.
- Use two wrenches to tighten piping connections.
- Air-purge the refrigerant piping using your own refrigerant gas (don't air-purge the refrigerant charged in the outdoor unit).
- Use leak detector or soapy water to check for gas leaks after connections are completed.
- Use flared nut installed to this indoor unit.
- In case of reconnecting the refrigerant pipes after detaching, make the flared part of pipe re-fabricated.
- Use refrigerant piping insulation provided to insulate indoor unit connections. Insulate carefully following shown below.

##### 2) Heat insulation for refrigerant pipes:

- ① Wrap the enclosed large-sized pipe cover around the gas pipe, making sure that the end of the pipe cover touches the side of the unit.
  - ② Wrap the enclosed small-sized pipe cover around the liquid pipe, making sure that the end of the pipe cover touches the side of the unit.
  - ③ Secure both ends of each pipe cover with the enclosed bands. (Attach the bands 20 mm (25/32 inch) from the ends of the pipe cover.)
- Make sure that the slit in the pipe cover is facing upward when it is installed.

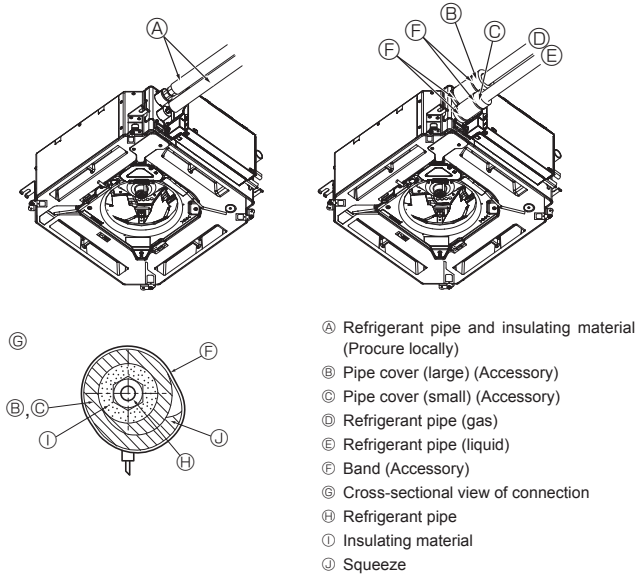


Fig. 5-8

See that stop valve on outdoor unit is fully shut (unit is shipped with valve shut). After all piping connections between indoor and outdoor unit have been completed, vacuum-purge air from system through the service port for the stop valve on the outdoor unit. After completing procedures above, open outdoor unit stop valves stem fully. This completes connection of refrigerant circuit between indoor and outdoor units. Stop valve instructions are marked on outdoor unit.

#### Flare nut tightening

- Apply a thin coat of refrigeration oil on the seat surface of pipe. (Fig. 5-9)
- For connection first align the center, then tighten the first 3 to 4 turns of flare nut.
- Use tightening torque table below as a guideline for indoor unit side union joint section, and tighten using two wrenches. Excessive tightening damages the flare section.
- Ⓐ Apply refrigerating machine oil over the entire flare seat surface.
- Ⓑ Use correct flare nuts meeting the pipe size of the outdoor unit.
- Ⓒ Flare nut tightening torque

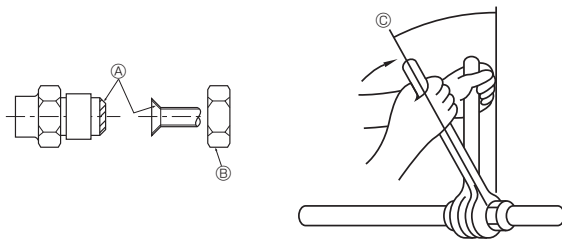


Fig. 5-9

Copper pipe O.D. (mm, inch)	Flare nut O.D. (mm, inch)	Tightening torque (N·m, ft·lbs)
ø6.35, 1/4	17, 21/32	14 to 18, 10 to 13
ø9.52, 3/8	22, 7/8	34 to 42, 25 to 31
ø12.7, 1/2	26, 1-1/32	49 to 61, 36 to 45



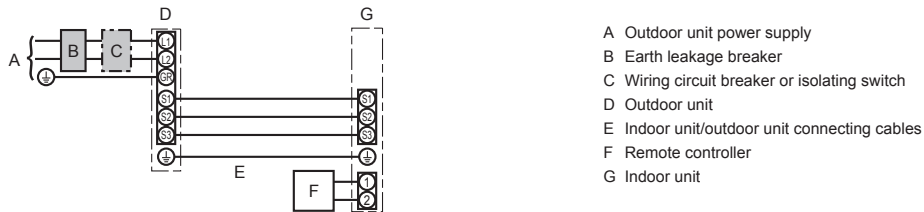
## 7. Electrical work

### 7.1. Indoor unit power supplied from outdoor unit

The following connection patterns are available.

The outdoor unit power supply patterns vary on models.

#### 1:1 System



- A Outdoor unit power supply
- B Earth leakage breaker
- C Wiring circuit breaker or isolating switch
- D Outdoor unit
- E Indoor unit/outdoor unit connecting cables
- F Remote controller
- G Indoor unit

Indoor unit model		SLZ	
Wiring Wire No. x size (mm <sup>2</sup> )	Indoor unit-Outdoor unit	*1	3 × AWG16 (polar)
	Indoor unit-Outdoor unit earth	*1	1 × Min. AWG16
	Indoor unit earth		1 × Min. AWG16
	Remote controller-Indoor unit	*2	2 × AWG22 (Non-polar)
Circuit rating	Indoor unit (Heater) L-N	*3	—
	Indoor unit-Outdoor unit S1-S2	*3	208/230 VAC
	Indoor unit-Outdoor unit S2-S3	*3	24 VDC
	Remote controller-Indoor unit	*3	12 VDC

\*1. <For 09-18 outdoor unit application>

Max. 45 m, 148 ft

If AWG13 (2.5 mm<sup>2</sup>) used, Max. 50 m, 165 ft

If AWG13 (2.5 mm<sup>2</sup>) used and S3 separated, Max. 80 m, 263 ft

\*2. Max. 500 m, 1640 ft.

(When using 2 remote controllers, the maximum wiring length for the remote controller cables is 200 m, 656 ft.)

\*3. The figures are NOT always against the ground.

S3 terminal has 24 VDC against S2 terminal. However between S3 and S1, these terminals are not electrically insulated by the transformer or other device.

**Notes:** 1. Wiring size must comply with the applicable local and national code.

2. Power supply cords and indoor unit/outdoor unit connecting cords shall not be lighter than polychloroprene sheathed flexible cord. (Design 60245 IEC 57)

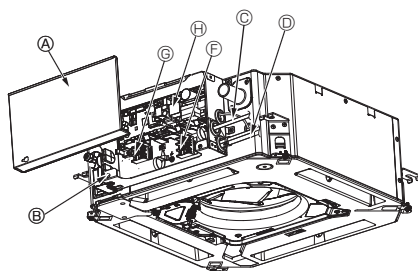
3. Install an earth longer than other cables.

4. Indoor and outdoor connecting wires have polarities. Make sure to match the terminal number (S1, S2, S3) for correct wirings.

5. Wiring for remote controller cable shall be apart (5 cm, 2 inch or more) from power source wiring so that it is not influenced by electric noise from power source wiring.

#### ⚠ Warning:

Never splice the power cable or the indoor-outdoor connection cable, otherwise it may result in a smoke, a fire or communication failure.



- Ⓐ Electric component cover
- Ⓑ Electric component box
- Ⓒ Entry for Indoor-Outdoor connecting cable
- Ⓓ Entry for wired remote controller cable
- Ⓔ Cable clamp
- Ⓕ Indoor/Outdoor unit connecting terminal
- Ⓖ Wired remote controller terminal
- Ⓗ Indoor controller
- Ⓘ Earth cable

Fig. 7-1

### 7.2. Indoor unit (Fig. 7-1) (Fig. 7-2) (Fig. 7-3)

Work procedure

1. Loosen the two screws securing the electric component cover, and then slide and remove the cover.

2. Route the wires along the wiring routes and through the wire inlets in the electric component box.

(Procure the power supply cord and indoor/outdoor unit connecting cable locally.)

3. Securely connect the power supply cord and the indoor/outdoor unit connecting cable to the terminal block.

4. Secure the wires with the cable straps inside the electric component box.

Secure the wires with cable straps as cushioning components so that no stress is applied to the connecting sections of the terminal block when tension is generated.

5. Install the electric component cover.

Make sure that the wires do not get pinched.

- Do not allow slackening of the terminal screws.

- Tape is affixed over the conduit hole used for connecting the electric wiring.

Please remove this tape if making a connection through the hole.

#### ⚠ Warning:

- Insert hook the electric component cover into the bent support on the electric component box and attach the cover securely. If it is attached incorrectly, it could result in a fire, electric shock due to dust, water, etc.

- Use the specified indoor/outdoor unit connecting cable to connect the indoor and outdoor units and fix the cable to the terminal block securely so that no stress is applied to the connecting section of the terminal block. Incomplete connection or fixing of the cable could result in a fire.



## 7. Electrical work

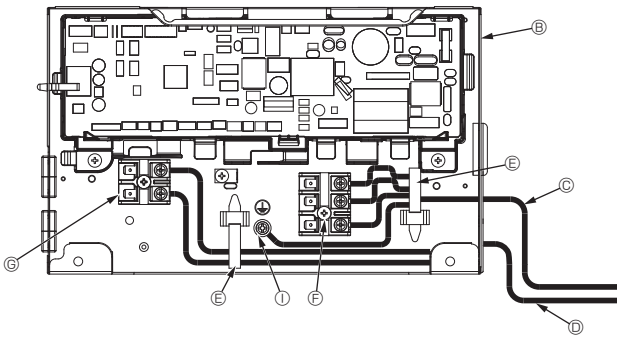


Fig. 7-2

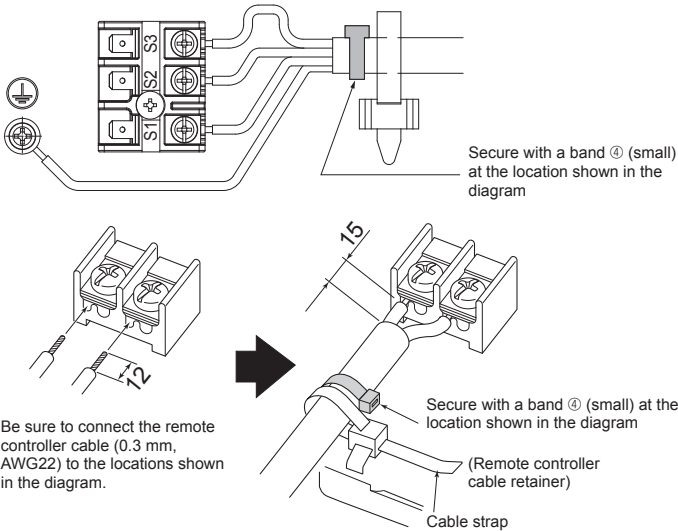


Fig. 7-3

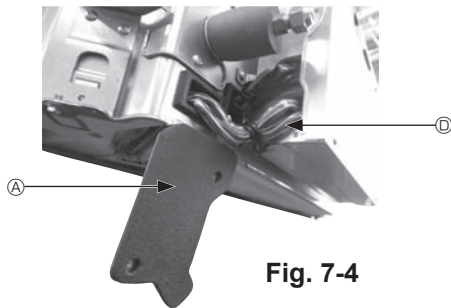


Fig. 7-4

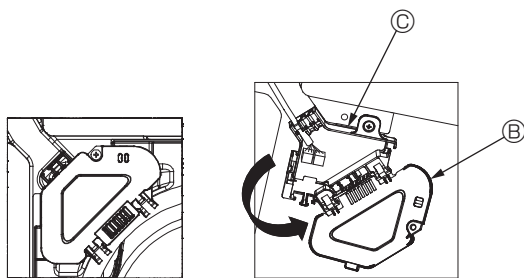


Fig. 7-5

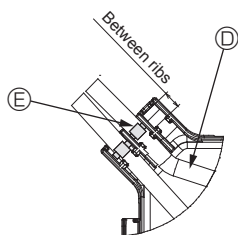
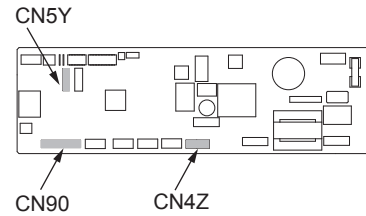


Fig. 7-6

### ⚠ Caution:

- Before installing the grille, make sure that the junction wire is connected.
- If the grille has signal receiver or i-See sensor, the pack of grille includes junction wire.

Signal receiver: CN90  
 3D i-See sensor: CN5Y  
 3D i-See sensor motor: CN4Z



### 7.2.1. Installing the i-See sensor and signal receiver

Before installing the grille, connect the junction wires included with the grille accessories and place them in the connector box.

- ① Remove the two screws securing the wire cover of the main unit, and then open the cover.
- ② Route the wires of the i-See sensor and signal receiver through the wire inlets in the electric component box as shown in the diagram and around the bushings on the side of the main unit. (Fig. 7-4)  
 When routing the wires, open the clamp securing the grille junction wire, and then secure the grille junction wire and the wires of the i-See sensor and signal receiver with the clamp.
- ③ Remove the one screw securing the connector box cover, and then open the cover. (Fig. 7-5)
- ④ Place the junction wire connector in the connector box.
- ⑤ Install the wire cover and connector box cover.

### ⚠ Caution:

When installing the covers, make sure that the wires do not get pinched. Fit the band securing the junction wires between the ribs on the connector box as shown in the diagram. (Fig. 7-6)

- Ⓐ Wire cover
- Ⓑ Connector box cover
- Ⓒ Connector box
- Ⓓ i-See sensor or signal receiver lead wire (Grille accessory)
- Ⓔ Band

## 7. Electrical work

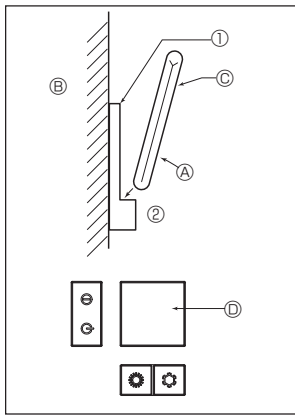


Fig. 7-7

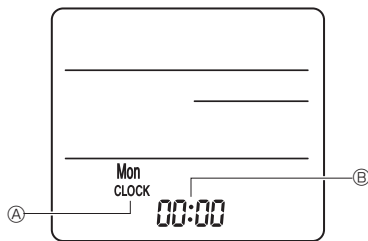


Fig. 7-8

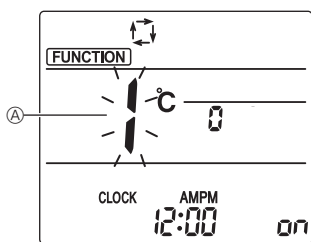
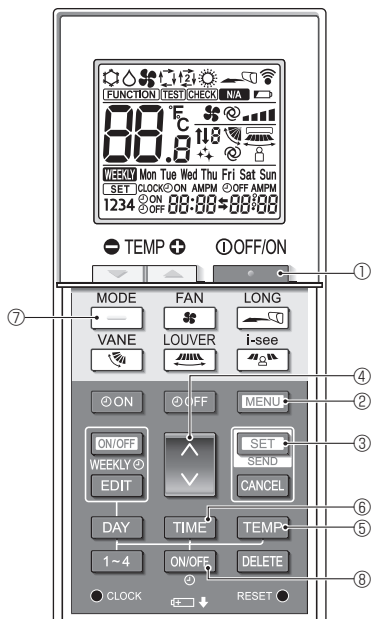


Fig. 7-9

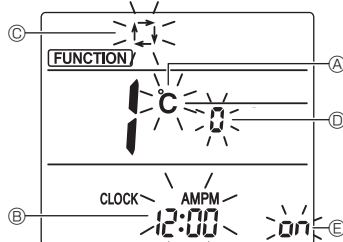


Fig. 7-10

### 7.3. Remote controller

When using a wired remote controller together with a wireless remote controller, use the following wireless remote controller.

#### 7.3.1. Wired remote controller

##### 1) Installing procedures

Refer to the installation manual that comes with each remote controller for details.

##### 2) Function selection of remote controller

If two remote controllers are connected, set one to "Main" and the other to "Sub". For setting procedures, refer to "Function selection of remote controller" in the operation manual for the indoor unit.

#### 7.3.2. For wireless remote controller

##### 1) Installation area

- Area in which the remote controller is not exposed to direct sunshine.
- Area in which there is no nearby heating source.
- Area in which the remote controller is not exposed to cold (or hot) winds.
- Area in which the remote controller can be operated easily.
- Area in which the remote controller is beyond the reach of children.

##### 2) Installation method (Fig. 7-7)

- ① Attach the remote controller holder to the desired location using 2 tapping screws.
- ② Place the lower end of the controller into the holder.
  - Ⓐ Remote controller Ⓑ Wall Ⓒ Display panel Ⓓ Receiver

##### 3) Setting (Clock setting) (Fig. 7-8)

1. Insert batteries or press the **CLOCK** button with something sharp. [CLOCK] Ⓐ and [:] Ⓑ blinks.
2. Press the **RESET** button with something sharp.
3. Press the **↓** button to set the time. Press the **DAY** button to set the Day.
4. Press the **CLOCK** button with something sharp at the end. [CLOCK] and [:] lighted.

##### 4) Initial setting

The following settings can be made in the initial setting mode.

Item	Setting	Fig. 7-10
Temperature unit	°C/°F	Ⓐ
Time display	12-hour format/24-hour format	Ⓑ
AUTO mode	Single set point/Dual set point	Ⓒ
Pair No.	0-3	Ⓓ
Backlight	On/Off	Ⓔ

#### 4-1. Switching to the initial setting mode

1. Press the **STOP** button ① to stop the air conditioner.
2. Press the **MENU** button ②. The Function setting screen will be displayed and the function No. Ⓐ will blink. (Fig. 7-9) Press the **↓** button ④ to change the function No.
3. Check that function No. "1" is displayed, and then press the **SET** button ③. The display setting screen will be displayed. (Fig. 7-10)

#### 4-2. Changing the temperature unit Ⓐ

Press the **TEMP** button ⑤.

Each time the **TEMP** button ⑤ is pressed, the setting switches between **°C** and **°F**.  
**°C**: The temperature is displayed in degrees Celsius.  
**°F**: The temperature is displayed in degrees Fahrenheit.

#### 4-3. Changing the time display Ⓑ

Press the **TIME** button ⑥.

Each time the **TIME** button ⑥ is pressed, the setting switches between **12:00** and **24:00**.

**12:00**: The time is displayed in the 12-hour format.

**24:00**: The time is displayed in the 24-hour format.

#### 4-4. Changing the AUTO mode Ⓒ

Press the **—** button ⑦.

Each time the **—** button ⑦ is pressed, the setting switches between **Ⓒ** and **Ⓓ**.

**Ⓒ**: The AUTO mode operates as the usual automatic mode.

**Ⓓ**: The AUTO mode operates using dual set points.

#### 4-5. Changing the pair No. Ⓓ

Press the **↓** button ④.

Each time the **↓** button ④ is pressed, the pair No. 0-3 changes.

Pair No. of wireless remote controller	Indoor PC board
0	Initial setting
1	Cut J41
2	Cut J42
3	Cut J41, J42

#### 4-6. Changing the backlight setting Ⓔ

Press the **ON/OFF** button ⑧.

Each time the **ON/OFF** button ⑧ is pressed, the setting switches between **on** and **off**.

**on**: The backlight comes on when a button is pressed.

**off**: The backlight does not come on when a button is pressed.

## 7. Electrical work

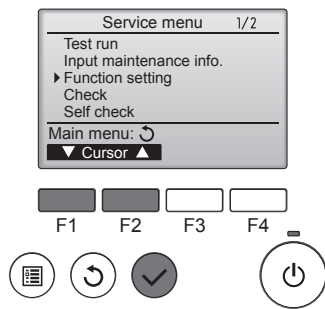


Fig. 7-11

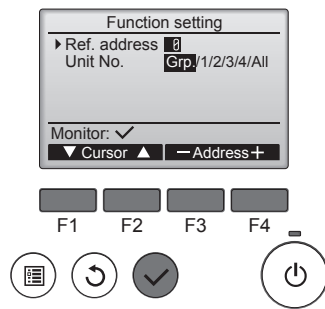


Fig. 7-12

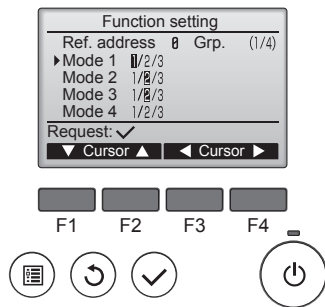


Fig. 7-13

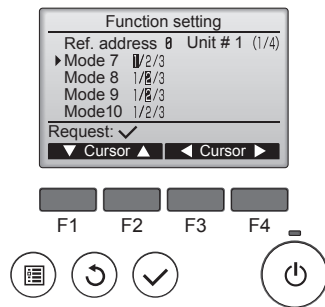


Fig. 7-14

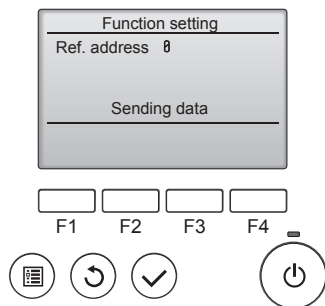


Fig. 7-15

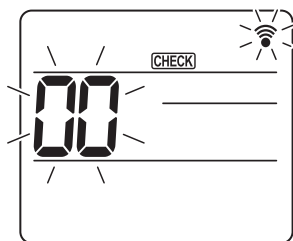


Fig. 7-16

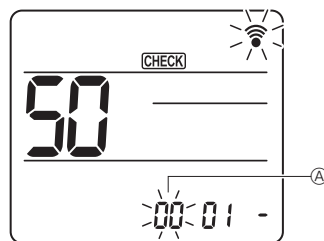


Fig. 7-17

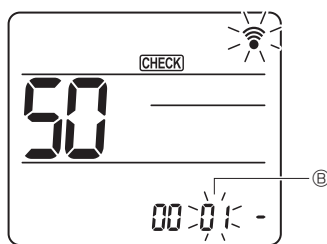


Fig. 7-18

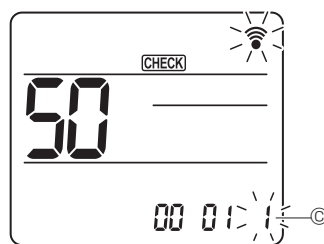


Fig. 7-19

### 7.4. Function settings

#### 7.4.1. By wired remote controller

- ① (Fig. 7-11)
  - Select "Service" from the Main menu, and press the [SELECT] button.
  - Select "Function setting" with the [F1] or [F2] button, and press the [SELECT] button.

- ② (Fig. 7-12)
  - Set the indoor unit refrigerant addresses and unit numbers with the [F1] through [F4] buttons, and then press the [SELECT] button to confirm the current setting.

#### <Checking the Indoor unit No.>

When the [SELECT] button is pressed, the target indoor unit will start fan operation. If the unit is common or when running all units, all indoor units for the selected refrigerant address will start fan operation.

- ③ (Fig. 7-13)
  - When data collection from the indoor units is completed, the current settings appears highlighted. Non-highlighted items indicate that no function settings are made. Screen appearance varies depending on the "Unit No." setting.

- ④ (Fig. 7-14)
  - Use the [F1] or [F2] button to move the cursor to select the mode number, and change the setting number with the [F3] or [F4] button.

- ⑤ (Fig. 7-15)
  - When the settings are completed, press the [SELECT] button to send the setting data from the remote controller to the indoor units.
  - When the transmission is successfully completed, the screen will return to the Function setting screen.

#### 7.4.2. By wireless remote controller (Fig. 7-16, Fig. 7-17, Fig. 7-18, Fig. 7-19)

- ① Going to the function select mode
    - Press the [MENU] button between of 5 seconds.  
(Start this operation from the status of remote controller display turned off.) [CHECK] is lighted and "00" blinks. (Fig. 7-16)
    - Press the [DOWN] button to set the "50".
    - Direct the wireless remote controller toward the receiver of the indoor unit and press the [SET] button.
  - ② Setting the unit number
    - Press the [DOWN] button to set unit number ①. (Fig. 7-17)
    - Direct the wireless remote controller toward the receiver of the indoor unit and press the [SET] button.
  - ③ Select a mode
    - Press the [DOWN] button to set Mode number ②. (Fig. 7-18)
    - Direct the wireless remote controller toward the receiver of the indoor unit and press the [SET] button.
- Current setting number: 1=1 beep (1 second)  
2=2 beep (1 second each)  
3=3 beep (1 second each)
- ④ Selecting the setting number
    - Use the [DOWN] button to change the Setting number ③. (Fig. 7-19)
    - Direct the wireless remote controller toward the receiver of the indoor unit and press the [SET] button.
  - ⑤ To select multiple functions continuously
    - Repeat select ③ and ④ to change multiple function settings continuously.
  - ⑥ Complete function selection
    - Direct the wireless remote controller toward the sensor of the indoor unit and press the [OFF/ON] button.

#### Note:

Make the above settings on Mr. Slim units as necessary.

- Table 1 summarizes the setting options for each mode number.
- Be sure to write down the settings for all functions if any of the initial settings has been changed after the completion of installation work.

## 7. Electrical work

### Function table

Select unit number 00 [table 1]

Mode	Settings	Mode no.	Setting no.	Initial setting	setting
Power failure automatic recovery	Not available	01	1		
	Available *1		2	○ *2	
Indoor temperature detecting	Indoor unit operating average	02	1	○	
	Set by indoor unit's remote controller		2		
	Remote controller's internal sensor		3		

Select unit numbers 01 to 03 or all units (AL [wired remote controller]/07 [wireless remote controller])

Mode	Settings	Mode no.	Setting no.	Initial setting	setting
Filter sign	100Hr	07	1		
	2500Hr		2	○	
	No filter sign indicator		3		
Fan speed	Silent	08	1		
	Standard		2	○	
	High ceiling		3		
Up/down vane setting	Not setting	11	1		
	Draft less setting (vanes angle setup ①)		2		
	Downward setting (vanes angle setup ②)		3	○	
3D i-See sensor positioning *3	Position ① ("□" stamp position, page 18)	12	1		
	(Position ①)		2		
	Position ③ ("○" stamp position, page 18)		3	○	
Fan speed during the cooling thermostat is OFF	Setting fan speed	27	1	○	
	Stop		2		
	Extra low		3		

\*1 When the power supply returns, the air conditioner will start 3 minutes or 1 minute later (hinge on Outdoor unit).

\*2 Power failure automatic recovery initial setting depends on the connecting outdoor unit.

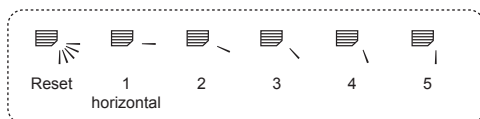
\*3 When the 3D i-See sensor corner panel position changed, change this mode. Refer to page 18.

### 7.4.3. How to set the fixed up/down air direction

- Only the particular outlet can be fixed to certain direction with the procedures below. Once fixed, only the set outlet is fixed every time air conditioner is turned on. (Other outlets follow UP/DOWN air direction setting of the remote controller.)

#### ■ Explanation of word

- "Refrigerant address No." and "Unit No." are the numbers given to each air conditioner.
- "Outlet No." is the number given to each outlet of air conditioner. (Refer to the right.)
- "Up/Down air direction" is the direction (angle) to fix.



Horizontal airflow



Downward

#### Remote controller setting

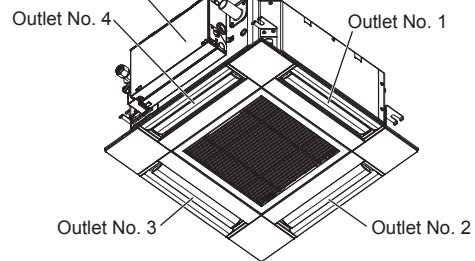
The airflow direction of this outlet is controlled by the airflow direction setting of remote controller.

#### Fixed setting

The airflow direction of this outlet is fixed in particular direction.

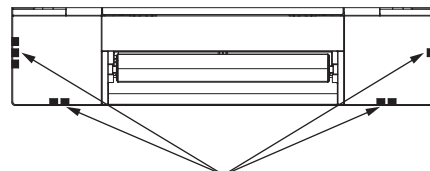
\* When it is cold because of direct airflow, the airflow direction can be fixed horizontally to avoid direct airflow.

Electric component box



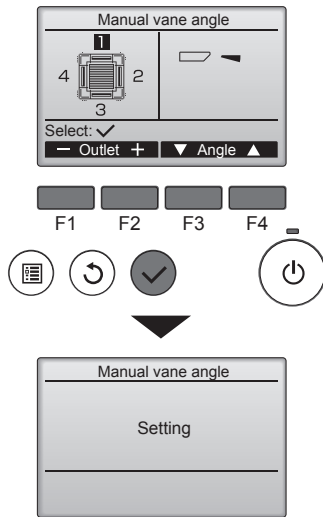
#### Note:


The outlet No. is indicated by the number of grooves on both ends of each air outlet. Set the air direction while checking the information shown on the remote controller display.



Air outlet identification marks

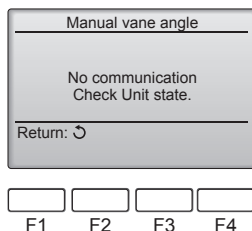
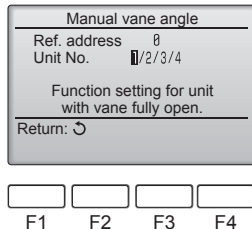
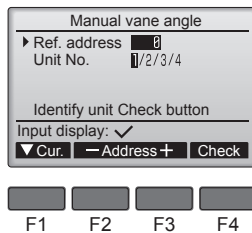
## 7. Electrical work



If all outlets are selected,  will be displayed the next time the unit goes into operation.

Navigating through the screens

- To go back to the Main menu .....[MENU] button
- To return to the previous screen .....[RETURN] button



The current vane setting will appear.

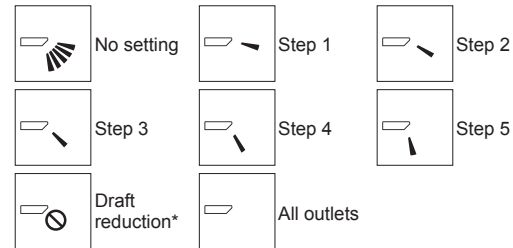
Select the desired outlets from 1 through 4 with the [F1] or [F2] button.

- Outlet: "1", "2", "3", "4", and "1, 2, 3, 4, (all outlets)"

Press the [F3] or [F4] button to go through the option in the order of "No setting (reset)", "Step 1", "Step 2", "Step 3", "Step 4", "Step 5", and "Draft reduction\*".

Select the desired setting.

■ Vane setting



\* Draft reduction

The airflow direction for this setting is more horizontal than the airflow direction for the "Step 1" setting in order to reduce a drafty feeling. The draft reduction can be set for only 1 vane.

Press the [SELECT] button to save the settings.

A screen will appear that indicates the setting information is being transmitted.

The setting changes will be made to the selected outlet.

The screen will automatically return to the one shown above (step 4) when the transmission is completed.

Make the settings for other outlets, following the same procedures.

### Confirmation procedure

① First, confirm by setting "Ref. address" to 0 and "Unit No." to 1.

- Move the cursor to "Ref. address" or "Unit No." with the [F1] button to select.
- Select the refrigerant address and the unit number for the units to whose vanes are to be fixed, with the [F2] or [F3] button, and press the [SELECT] button.
- Ref. address: Refrigerant address
- Unit No.: 1, 2, 3, 4

Press the [F4] button to confirm the unit.

② Change the "Unit No." in order and check each unit.

- Press the [F1] button to select "Unit No.".
- Press the [F2] or [F3] button to change the "Unit No." to the unit that you want to check, and then press the [F4] button.
- After pressing the [F4] button, wait approximately 15 seconds, and then check the current state of the air conditioner.
  - The vane is pointing downward. → This air conditioner is displayed on the remote controller.
  - All outlets are closed. → Press the [RETURN] button and continue the operation from the beginning.
  - The messages shown to the left are displayed. → The target device does not exist at this refrigerant address.
- Press the [RETURN] button to return to the initial screen.

③ Change the "Ref. address" to the next number.

- Refer to step ① to change the "Ref. address" and continue with the confirmation.

## 8. Test run

### 8.1. Before test run

- ▶ After completing installation and the wiring and piping of the indoor and outdoor units, check for refrigerant leakage, looseness in the power supply or control wiring, wrong polarity, and no disconnection of one phase in the supply.
- ▶ Use a 500-volt megohmmeter to check that the resistance between the power supply terminals and ground is at least 1.0 MΩ.

▶ Do not carry out this test on the control wiring (low voltage circuit) terminals.

⚠ **Warning:**  
Do not use the air conditioner if the insulation resistance is less than 1.0 MΩ.

### 8.2. Test run

#### 8.2.1. Using wired remote controller

- Make sure to read operation manual before test run. (Especially items to secure safety)

##### Step 1 Turn on the power.

- Remote controller: The system will go into startup mode, and the remote controller power lamp (green) and "PLEASE WAIT" will blink. While the lamp and message are blinking, the remote controller cannot be operated. Wait until "PLEASE WAIT" is not displayed before operating the remote controller. After the power is turned on, "PLEASE WAIT" will be displayed for approximately 2 minutes.
  - Indoor controller board: LED 1 will be lit up, LED 2 will be lit up (if the address is 0) or off (if the address is not 0), and LED 3 will blink.
  - Outdoor controller board: LED 1 (green) and LED 2 (red) will be lit up. (After the startup mode of the system finishes, LED 2 will be turned off.) If the outdoor controller board uses a digital display, [-] and [-] will be displayed alternately every second.
- If the operations do not function correctly after the procedures in step 2 and thereafter are performed, the following causes should be considered and eliminated if they are found.  
(The symptoms below occur during the test run mode. "Startup" in the table means the LED display written above.)

Symptoms in test run mode		Cause
Remote Controller Display	OUTDOOR BOARD LED Display < > indicates digital display.	
Remote controller displays "PLEASE WAIT", and cannot be operated.	After "startup" is displayed, only green lights up. <00>	• After power is turned on, "PLEASE WAIT" is displayed for 2 minutes during system startup. (Normal)
After power is turned on, "PLEASE WAIT" is displayed for 3 minutes, then error code is displayed.	After "startup" is displayed, green(once) and red(once) blink alternately. <F1>	• Incorrect connection of outdoor terminal block (R, S, T and S <sub>1</sub> , S <sub>2</sub> , S <sub>3</sub> .)
	After "startup" is displayed, green(once) and red(twice) blink alternately. <F3, F5, F9>	• Outdoor unit's protection device connector is open.
No display appears even when remote controller operation switch is turned on. (Operation lamp does not light up.)	After "startup" is displayed, green(twice) and red(once) blink alternately. <EA, Eb>	• Incorrect wiring between the indoor and outdoor unit (Polarity is wrong for S <sub>1</sub> , S <sub>2</sub> , S <sub>3</sub> .)
	After "startup" is displayed, only green lights up. <00>	• Remote controller transmission wire short.
Display appears but soon disappears even when remote controller is operated.	After "startup" is displayed, only green lights up. <00>	• There is no outdoor unit of address 0. (Address is other than 0.)
		• Remote controller transmission wire open.
	After "startup" is displayed, only green lights up. <00>	• After canceling function selection, operation is not possible for about 30 seconds. (Normal)

##### Step 2 Switch the remote controller to "Test run".

- ① Select "Test run" from the Service menu, and press the [SELECT] button. (Fig. 8-1)
- ② Select "Test run" from the Test run menu, and press the [SELECT] button. (Fig. 8-2)
- ③ The test run operation starts, and the Test run operation screen is displayed.

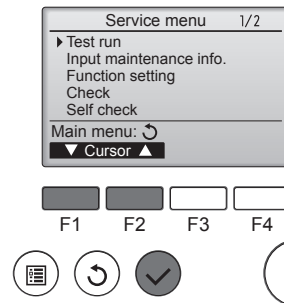


Fig. 8-1

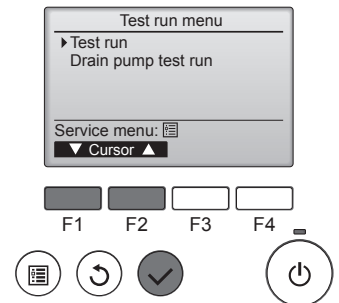


Fig. 8-2

##### Step 3 Perform the test run and check the airflow temperature and auto vane.

- ① Press the [F1] button to change the operation mode. (Fig. 8-3)  
Cooling mode: Check that cool air blows from the unit.  
Heating mode: Check that warm air blows from the unit.
- ② Press the [SELECT] button to display the Vane operation screen, and then press the [F1] and [F2] buttons to check the auto vane. (Fig. 8-4)  
Press the [RETURN] button to return to the Test run operation screen.  
If the vanes do not move, check that the junction wire connectors are connected securely and the connector colors match.

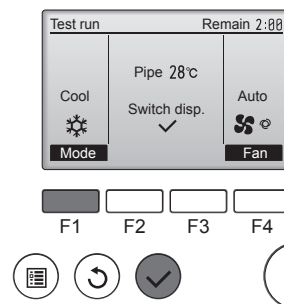


Fig. 8-3

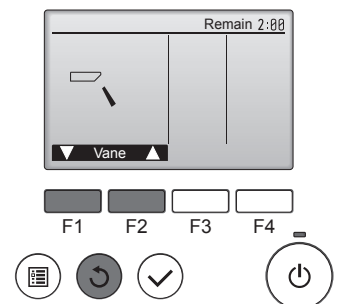


Fig. 8-4

##### Step 4 Confirm the operation of the outdoor unit fan.

The speed of the outdoor unit fan is controlled in order to control the performance of the unit. Depending on the ambient air, the fan will rotate at a slow speed and will keep rotating at that speed unless the performance is insufficient. Therefore, the outdoor wind may cause the fan to stop rotating or to rotate in the opposite direction, but this is not a problem.

## 8. Test run

### Step 5 Stop the test run.

① Press the [ON/OFF] button to stop the test run. (The Test run menu will appear.)

Note: If an error is displayed on the remote controller, see the table below.

[Output pattern A] Errors detected by indoor unit

Wireless remote controller Beeper sounds/OPERATION INDICATOR lamp blinks (Number of times)	Wired remote controller Check code	Symptom	Remark
1	P1	Intake sensor error	
2	P2	Pipe (TH2) sensor error	
	P9	Pipe (TH5) sensor error	
3	E6, E7	Indoor/outdoor unit communication error	
4	P4	Drain sensor error / Float switch connector open	
5	P5	Drain pump error	
	PA	Forced compressor error	
6	P6	Freezing/Overheating protection operation	
7	EE	Communication error between indoor and outdoor units	
8	P8	Pipe temperature error	
9	E4	Remote controller signal receiving error	
10	—	—	
11	PB (Pb)	Indoor unit fan motor error	
12	FB (Fb)	Indoor unit control system error (memory error, etc.)	
14	PL	Refrigerant circuit abnormal	
No sound	E0, E3	Remote controller transmission error	
No sound	E1, E2	Remote controller control board error	
No sound	— — — —	No corresponding	

[Output pattern B] Errors detected by unit other than indoor unit (outdoor unit, etc.)

Wireless remote controller Beeper sounds/OPERATION INDICATOR lamp blinks (Number of times)	Wired remote controller Check code	Symptom	Remark
1	E9	Indoor/outdoor unit communication error (Transmitting error) (Outdoor unit)	For details, check the LED display of the outdoor controller board.
2	UP	Compressor overcurrent interruption	
3	U3, U4	Open/short of outdoor unit thermistors	
14	PL or Others	Abnormality of refrigerant circuit or other errors	

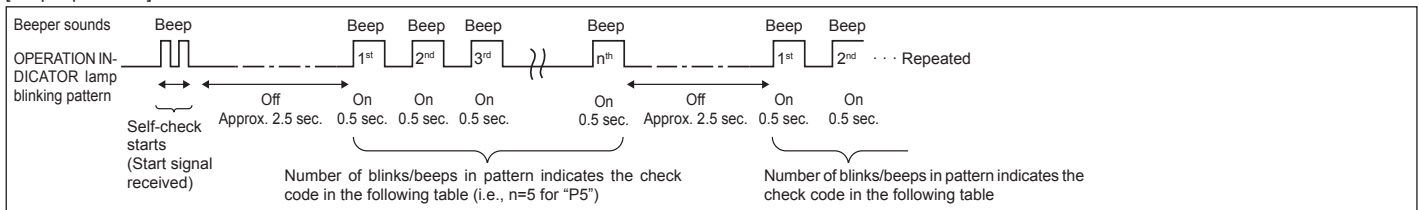
\*1 If the beeper does not sound again after the initial 2 beeps to confirm the self-check start signal was received and the OPERATION INDICATOR lamp does not come on, there are no error records.

\*2 If the beeper sounds 3 times continuously "beep, beep, beep (0.4 + 0.4 + 0.4 sec.)" after the initial 2 beeps to confirm the self-check start signal was received, the specified refrigerant address is incorrect.

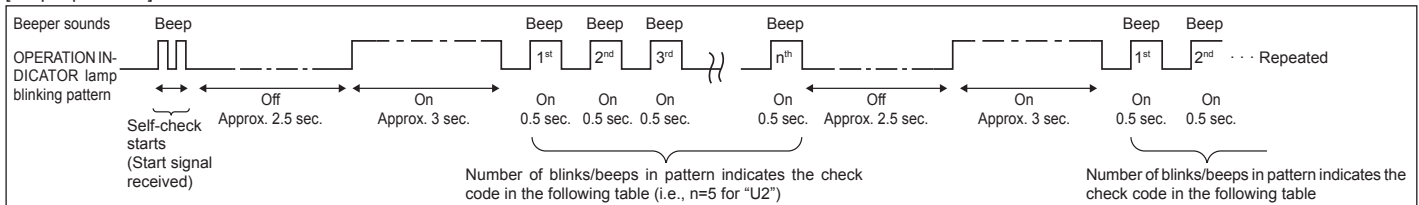
- On wireless remote controller  
The continuous buzzer sounds from receiving section of indoor unit.  
Blink of operation lamp
- On wired remote controller  
Check code displayed in the LCD.

• Refer to the following tables for details on the check codes. (Wireless remote controller)

[Output pattern A]



[Output pattern B]



See the table below for the details of the LED display (LED 1, 2, and 3) on the indoor controller board.

LED1 (microcomputer power supply)	Indicates whether control power is supplied. Make sure that this LED is always lit.
LED2 (remote controller power supply)	Indicates whether power is supplied to the wired remote controller. The LED is lit only for the indoor unit that is connected to the outdoor unit that has an address of 0.
LED3 (indoor/outdoor unit communication)	Indicates whether the indoor and outdoor units are communicating. Make sure that this LED is always blinking.

Note:

If the unit is operated continuously during a test run, the unit stops after 2 hours.

## 8. Test run

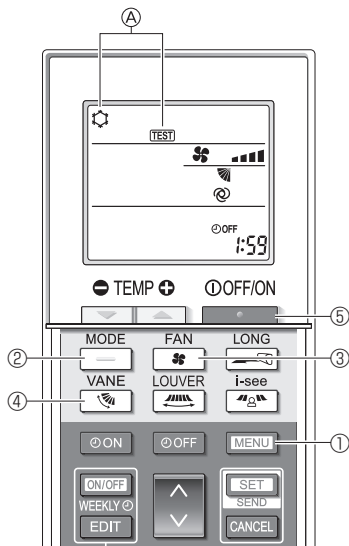
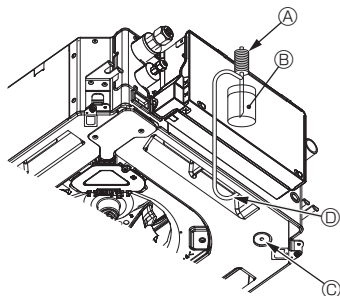


Fig. 8-5



- Ⓐ Water supply pump
- Ⓑ Water (about 1000 cc)
- Ⓒ Drain plug
- Ⓓ Pour water through outlet
  - Be careful not to spray water into the drain pump mechanism.

Fig. 8-6

### 8.2.2. Using the wireless remote controller

1. Turn on the power to the unit at least 12 hours before the test run.
2. Press the **MENU** button ① for 5 seconds. (Fig. 8-5)  
(Perform this operation when the remote controller display is turned off.)
3. Press the **MENU** button ①.  
Ⓐ [TEST] and the current operation mode are displayed. (Fig. 8-5)
4. Press the **MODE** button ② to activate cool mode, then check whether cool air is blown out from the unit.
5. Press the **MODE** button ② to activate heat mode, then check whether warm air is blown out from the unit.
6. Press the **FAN** button ③ and check whether the fan speed changes.
7. Press the **VANE** button ④ and check whether the auto vane operates properly.
8. Press the **ON/OFF** button ⑤ to stop the test run.  
(After two hours, a signal will be sent to stop the test run.)

#### Note:

- Point the remote controller towards the indoor unit receiver while following steps 3 to 8.
- It is not possible to perform the test run in FAN, DRY, or AUTO mode.

### 8.3. Self-check

- Refer to the installation manual that comes with each remote controller for details.

### 8.4. Check of drainage (Fig. 8-6)

- Ensure that the water is being properly drained out and that no water is leaking from joints.

#### When electric work is completed.

- Pour water during cooling operation and check.

#### When electric work is not completed.

- Pour water during emergency operation and check.

- \* Drain pump and fan are activated simultaneously when single phase 230 V is turned on to S1 and S2 on terminal block after the connector (SWE) on controller board in the electrical component box is set to ON.

Be sure to turn it back to the former state after work.

## 9. System control

Refer to the outdoor unit installation manual.

## 10. Installing the grille

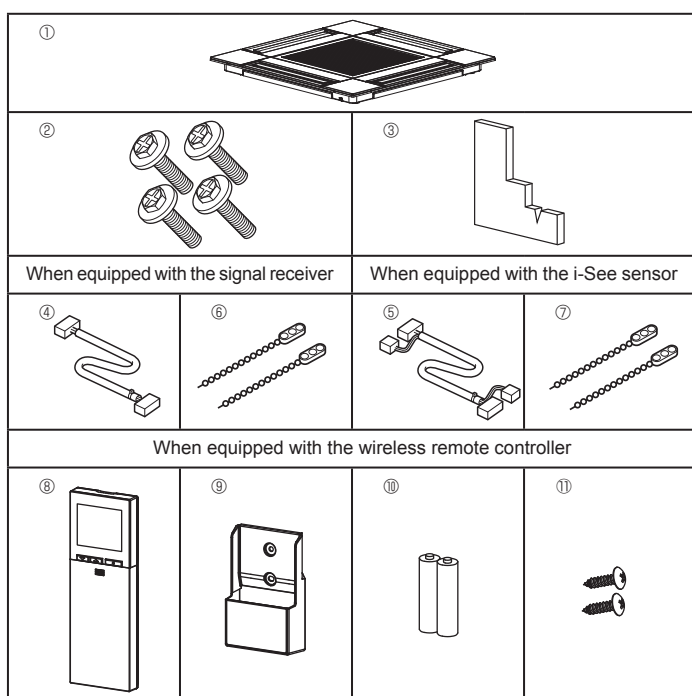


Fig. 10-1

### 10.1. Check the grille accessories (Fig. 10-1)

- The grille should be supplied with the following accessories.

	Accessory name	Q'ty	Remark
①	Grille	1	625 × 625 (mm), 24-19/32 × 24-19/32 (in)
②	Screw with washer	4	M5 × 0.8 × 25 (mm)
③	Gauge	1	
④	Junction wire for signal receiver	1	Included when equipped with the signal receiver.
⑤	Junction wire for i-See sensor	1	Included when equipped with the i-See sensor.
⑥	Fastener	2	Included when equipped with the signal receiver.
⑦	Fastener	2	Included when equipped with the i-See sensor.
⑧	Wireless remote controller	1	Included when equipped with the wireless remote controller.
⑨	Remote controller holder	1	Included when equipped with the wireless remote controller.
⑩	LR6 AA batteries	2	Included when equipped with the wireless remote controller.
⑪	3.5 × 16 mm tapping screws	2	Included when equipped with the wireless remote controller.



## 10. Installing the grille

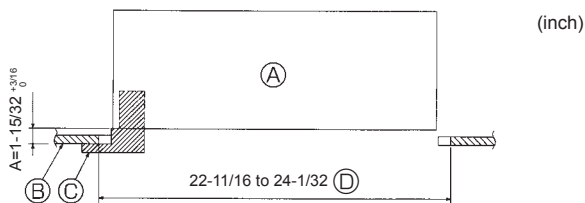


Fig. 10-2

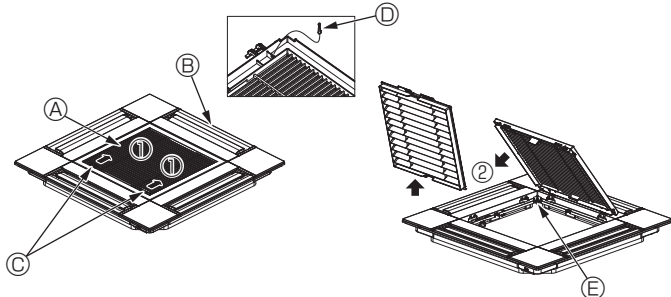


Fig. 10-3

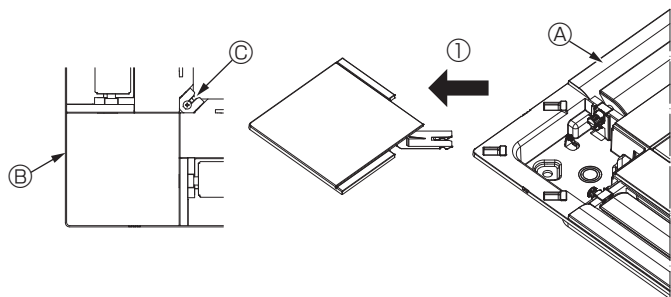
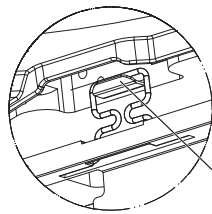
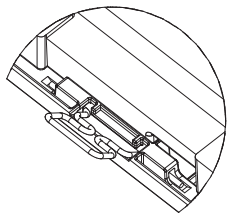


Fig. 10-4

<Hook is in the raised position>

<Grille hook>



Main unit hook

Fig. 10-5

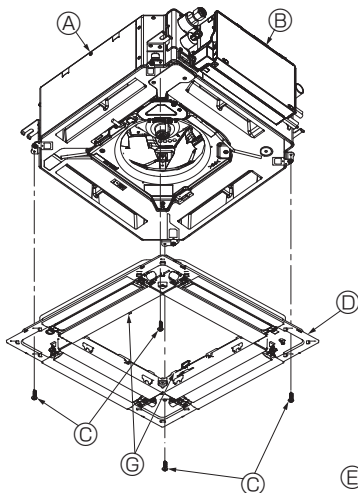


Fig. 10-6

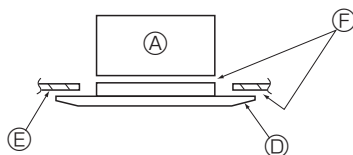


Fig. 10-7

### 10.2. Preparing to attach the grille (Fig. 10-2)

- With the gauge supplied with this kit, adjust and check the positioning of the unit relative to the ceiling. If the unit is not properly positioned in the ceiling, there may be air leaks, condensation may form, or the up/down vanes may not operate correctly.
- Make sure that the opening in the ceiling is within the following tolerances: 576 × 576 to 610 × 610 (mm), 22-11/16 × 22-11/16 to 24-1/32 × 24-1/32 (inch)
- Make sure that step A is performed within 37 to 42 mm (1-15/32 to 1-21/32 inch). Damage could result by failing to adhere to this range.

- Ⓐ Main unit
- Ⓑ Ceiling
- Ⓒ Gauge (Accessory)
- Ⓓ Ceiling opening dimensions

#### 10.2.1. Removing the intake grille (Fig. 10-3)

- Slide the levers in the direction indicated by the arrow ① to open the intake grille.
- Unlatch the hook that secures the grille.
  - \* Do not unlatch the hook for the intake grille.
- With the intake grille in the "open" position, remove the hinge of the intake grille from the grille as indicated by the arrow ②.

- Ⓐ Intake grille
- Ⓑ Grille
- Ⓒ Intake grille levers
- Ⓓ Grille hook
- Ⓔ Hole for the grille's hook

#### 10.2.2. Removing the corner panel (Fig. 10-4)

- Loosen the screw from the corner of the corner panel. Slide the corner panel as indicated by the arrow ① to remove the corner panel.

- Ⓐ Grille
- Ⓑ Corner panel
- Ⓒ Screw

### 10.3. Installing the grille

- Please pay attention because there is a restriction in the attachment position of the grille.

#### 10.3.1. Temporarily installing the grille

- Align the screw holes in the corners of the grille with the screw mounting holes in the corners of the main unit, latch the two hooks on the grille onto the drain pan projections on the main unit, and temporarily hang the grille. (Fig. 10-5)

#### ⚠ Caution:

When installing the i-See sensor and signal receiver, place the junction wires in the connector box before temporarily hanging the grille. Refer to 7.2.1. on page 9 to route the junction wires.

#### 10.3.2. Securing the grille

- Secure the grille by tightening the four screws. (Fig. 10-6)
- \* Make sure that there are no gaps between the main unit and the panel or the panel and the ceiling. (Fig. 10-7)

- Ⓐ Main unit
- Ⓑ Electric component box
- Ⓒ Screw with washer (Accessory)
- Ⓓ Grille
- Ⓔ Ceiling
- Ⓕ Make sure that there are no gaps.
- Ⓖ Temporarily hanging hooks on the panel

#### ⚠ Caution:

- When tightening the screw with captive washer ③, tighten it at a torque of 4.8 N·m (4 ft·lbs) or less. Never use an impact screwdriver. It may result in parts damage.
- After tightening the screw, confirm that the two grille hooks (Fig. 10-5) are latched onto the hooks on the main unit.

## 10. Installing the grille

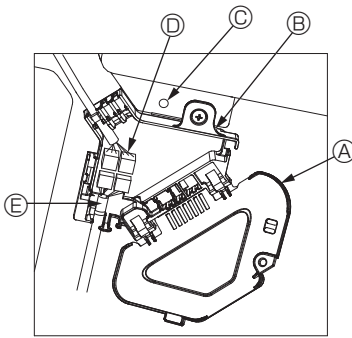


Fig. 10-8

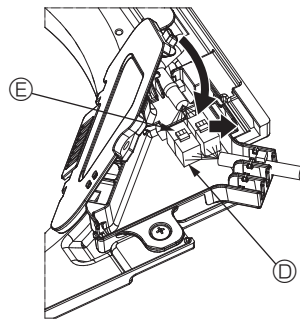


Fig. 10-9

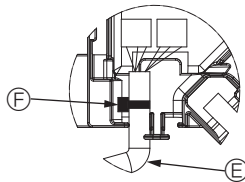


Fig. 10-10

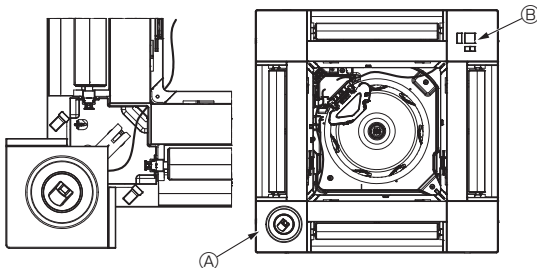


Fig. 10-11

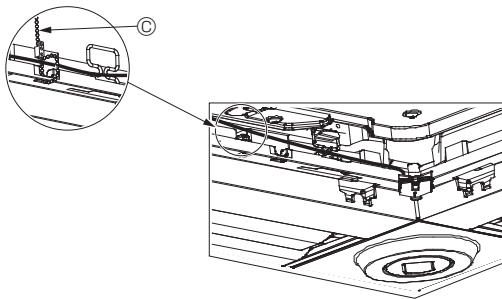


Fig. 10-12

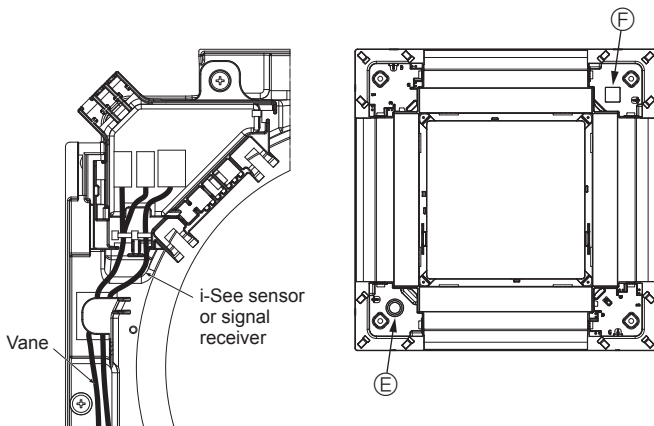


Fig. 10-13

### 10.3.3. Connecting the wires

- ① Remove the one screw securing the connector box cover, and then open the cover.
- ② Securely connect the junction wire connector of the vane motor and the panel vane motor wire connector in the connector box. (Fig. 10-8)  
There are two vane motor connectors: one blue connector and one orange connector. Make sure that the connector colors match when connecting them.
- ③ Close the connector box cover.

When closing the connector box cover, slide the cover in the direction indicated by the arrow and make sure that the projection is firmly inserted. (Fig. 10-9)

- A Connector box cover
- B Connector box
- C Securing screw
- D Junction connector
- E Wire connector for the vane motor
- F Band

#### ⚠ Caution:

- Place the band securing the panel vane motor wire in the connector box as shown in the diagram. (Fig. 10-10)
- When closing the connector box cover, make sure that the wires do not get pinched.

### 10.3.4. Wiring the i-See sensor corner panel and signal receiver

- Install the i-See sensor and signal receiver at the corners of the panel at the locations stamped with "○" or "□". (The positions may be reversed.)
- Route the i-See sensor and signal receiver wires through the square holes at the corners of the panel and install them.
- Connect the junction wire connector and the wire connectors of the i-See sensor and signal receiver in the connector box.
- Close the connector box cover.
- Secure the i-See sensor and signal receiver wires to the panel with the fastener as shown in the diagram so that there is no slack in the wires, and then cut off the excess end of the fastener. (Fig. 10-12)
- Place the i-See sensor and signal receiver wires to the inside of the flange on the panel.
- If the position of the i-See sensor was changed from the "○" position (E) to the "□" position (F), change the function settings. (Refer to page 12.)

#### ⚠ Caution:

- Route the i-See sensor and signal receiver wires as shown in Fig. 10-13.
- Place the excess portions of the i-See sensor and signal receiver junction wires in the electric component box in the wire clip as shown in the diagram, and secure the wires together with the fastener. (Fig. 10-14)  
Make sure that the band securing the i-See sensor and signal receiver junction wires is positioned inside the connector box. (Fig. 10-15)
- If the vane motor connectors and signal receiver connector are connected incorrectly, the vanes will not move or communication with the remote controller will not be possible.

- A i-See sensor
- B Signal receiver
- C Fastener
- D Wire clip
- E "○" stamp : default i-See sensor position
- F "□" stamp : default signal receiver position

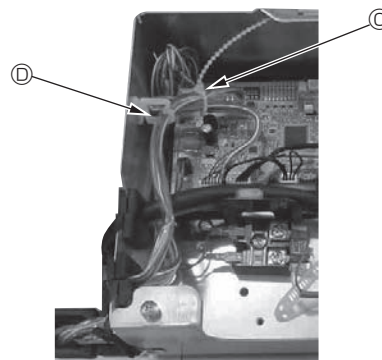


Fig. 10-14

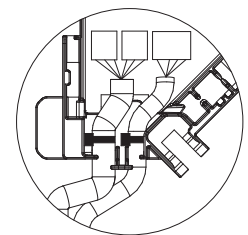


Fig. 10-15

## 10. Installing the grille

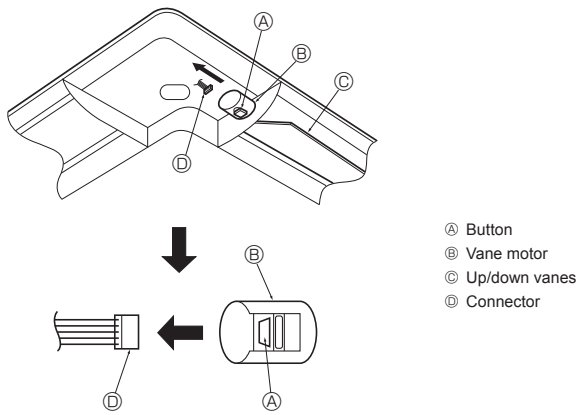


Fig. 10-16

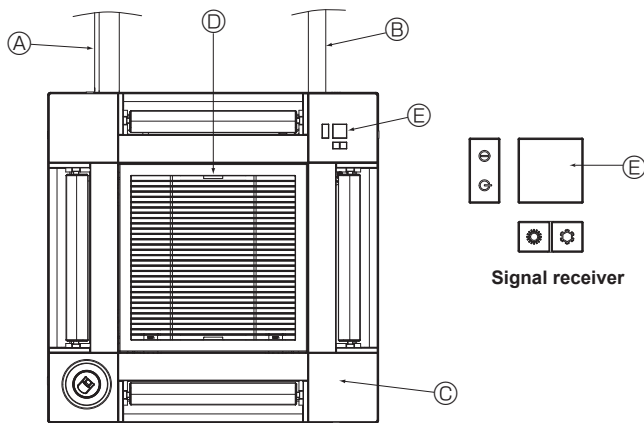


Fig. 10-17

### 10.4. Locking the up/down airflow direction (Fig. 10-16)

The vanes of the unit can be set and locked in on up or down orientation depending upon the environment of use.

- Set according to the preference of the customer.

The operation of the fixed up/down vanes and all automatic controls cannot be performed using the remote controller. In addition, the actual position of the vanes may differ from the position indicated on the remote controller.

- ① Turn off the main power switch.  
Injuries and or an electrical shock may occur while the fan of the unit is rotating.
- ② Disconnect the connector for the vane motor of the vent that you want to lock.  
(While pressing the button, remove the connector in the direction indicated by the arrow as shown in the diagram.) After removing the connector, insulate it with tape.

### 10.5. Installing the intake grille (Fig. 10-17)

- Perform the procedure that is described in "10.2. Preparing to attach the grille" in reverse order to install the intake grille and the corner panel.

- Ⓐ Refrigerant piping of the main unit
- Ⓑ Drain piping of the main unit
- Ⓒ Corner panel
- Ⓓ Position of the levers on the intake grille when sent from the factory.  
\* Although the clips can be installed in any of four positions.
- Ⓔ Receiver

### 10.6. Check

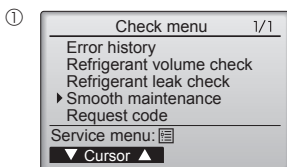
- Make sure that there is no gap between the unit and the grille, or between the grille and the surface of the ceiling. If there is any gap between the unit and the grille, or between the grille and the surface of the ceiling, it may cause dew to collect.
- Make sure that the wires have been securely connected.
- Check that all four vanes move. If two or four vanes do not move, refer to 10.3. and check the connections.
- For 3D i-See sensor corner panel, check the rotating movement. If the 3D i-See sensor does not rotate, review the procedure in "10.3. Installing the grille".

## 11. Easy maintenance function

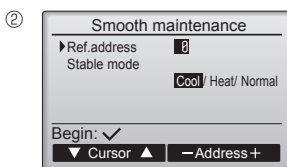
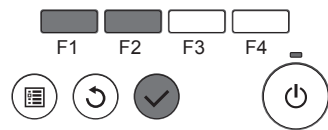
Maintenance data, such as the indoor/outdoor unit's heat exchanger temperature and compressor operation current can be displayed with "Smooth maintenance".

\* This cannot be executed during test operation.

\* Depending on the combination with the outdoor unit, this may not be supported by some models.

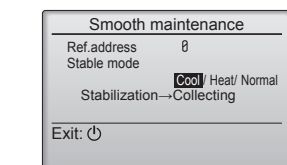


- Select "Service" from the Main menu, and press the [SELECT] button.
- Select "Check" with the [F1] or [F2] button, and press the [SELECT] button.
- Select "Smooth maintenance" with the [F1] or [F2] button, and press the [SELECT] button.

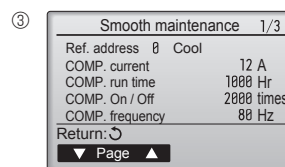


Select each item.

- Select the item to be changed with the [F1] or [F2] button.
  - Select the required setting with the [F3] or [F4] button.
- "Ref. address" setting ..... "0" - "15"  
"Stable mode" setting ..... "Cool" / "Heat" / "Normal"

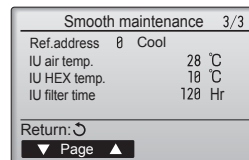
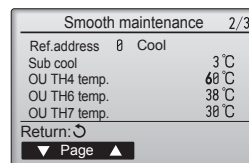


- Press the [SELECT] button, fixed operation will start.
- \* "Stable mode" will take approx. 20 minutes.



The operation data will appear.

The Compressor-Accumulated operating (COMP. run) time is 10-hour unit, and the Compressor-Number of operation times (COMP. On/Off) is a 100-time unit (fractions discarded)



#### Navigating through the screens

- To go back to the Main menu.....[MENU] button
- To return to the previous screen ..... [RETURN] button

# Table des matières

1. Mesures de précaution .....	20	7. Installations électriques.....	26
2. Choisir l'emplacement de l'installation .....	20	8. Essai de fonctionnement.....	32
3. Schéma d'installation .....	21	9. Commande du système .....	34
4. Installation de l'appareil intérieur.....	21	10. Installation de la grille .....	34
5. Mise en place des tuyaux de réfrigérant.....	23	11. Fonction Entretien facile .....	37
6. Mise en place du tuyau d'écoulement.....	25		

## Remarque :

Dans le présent manuel d'installation, l'expression "Télécommande filaire" fait référence uniquement au modèle PAR-33MAA. Pour toute information sur l'autre télécommande, reportez-vous au manuel d'installation ou au manuel de réglage initial fournis dans les boîtes.

## 1. Mesures de précaution

- Veuillez lire en entier "Consignes de sécurité" avant d'installer le climatiseur.
- Comme ces mesures sont très importantes pour votre sécurité, veuillez les respecter.
- Les symboles signifient :

### ⚠ Avertissement :

Peut entraîner la mort, des blessures graves, etc.

### ⚠ Attention :

Peut provoquer des blessures graves dans certains environnements si l'appareil n'est pas utilisé correctement.

### ⚠ Avertissement :

- N'installez pas l'appareil vous-même (client). Une installation incomplète peut être à l'origine d'un incendie, d'une électrocution, de blessures suite à la chute de l'appareil ou de fuites d'eau. Consulter un revendeur local ou un installateur agréé.
- Assurez-vous que l'appareil est installé dans un endroit assez solide pour en supporter le poids. Autrement, il pourrait tomber et par conséquent blesser quelqu'un.
- Utilisez les câbles spécifiés pour connecter les appareils intérieur et extérieur en toute sécurité, et attachez les fils fermement au bloc de sortie pour qu'aucune force venant des fils ne soit exercée sur les bornes. Un branchement incomplet et une fixation trop faible peuvent être à l'origine d'un incendie.
- N'utilisez pas de rallonge et ne branchez pas plusieurs appareils à la même prise de courant CA. Un mauvais contact, une isolation insuffisante, un courant trop fort, etc. pourraient entraîner des risques d'incendie ou d'électrocution, etc.
- Vérifiez que le gaz réfrigérant ne fuit pas lorsque l'installation est terminée.
- Veuillez suivre ce manuel durant l'installation.
- Une installation incomplète peut être à l'origine de blessures corporelles suite à un incendie, une électrocution, la chute de l'appareil ou une fuite d'eau.
- Veuillez suivre ce manuel durant l'installation électrique et veuillez utiliser un circuit exclusif pour cette installation électrique. Une capacité insuffisante du circuit électrique ou une installation incorrecte pourraient provoquer un incendie ou un choc électrique.
- N'essayez jamais de réparer ou de déplacer vous-même l'appareil.

### ⚠ Attention :

- Mettez l'appareil à la terre. Ne reliez pas le câble de terre à un tuyau de gaz ou d'eau, un parafoudre ou un câble de terre téléphonique. Toute mise à la terre défectueuse pourrait être la cause d'un choc électrique.
- N'installez pas l'appareil dans un endroit où il sera exposé à des gaz inflammables. Tout gaz accumulé autour de l'appareil pourrait exploser.
- Installez un disjoncteur différentiel si nécessaire (lorsque l'endroit de l'installation est humide). Sans disjoncteur différentiel, il y aura risque de décharge électrique.

## 2. Choisir l'emplacement de l'installation

### 2.1. Appareil intérieur

- Emplacement favorisant la circulation de l'air.
- Emplacement favorisant une bonne répartition de l'air froid dans la pièce.
- Emplacement ne favorisant pas une exposition directe au soleil.
- Éloignez d'au moins 1 m (3 pieds) de votre téléviseur ou d'un appareil radio (pour éviter une déformation d'image ou des parasites).

- Lorsque vous aurez lu le manuel en entier, veuillez le garder dans un endroit pratique, chez le client, avec le manuel d'utilisation.

⊥ : Indique un élément qui doit être mis à la terre.

### ⚠ Avertissement :

Prenez soin de lire les étiquettes se trouvant sur l'appareil principal. Installez l'appareil intérieur à 2,4 m (8 pieds) au moins au-dessus du sol ou sur un plan surélevé.

Pour les appareils qui ne sont pas accessibles au public.

- L'installation de l'appareil doit être conforme aux réglementations nationales relatives au câblage.
- Si le cordon d'alimentation est endommagé, il doit être remplacé par le fabricant, ses représentants ou un technicien de même compétence pour éviter tout risque potentiel.
- Veuillez fermement attacher le couvercle de la partie électrique de l'appareil intérieur et le panneau de service de l'appareil extérieur. Une mauvaise fixation du couvercle de l'appareil intérieur et/ou du panneau de service de l'appareil extérieur pourrait résulter en un incendie ou un choc électrique à cause de la poussière, de l'eau, etc., pouvant s'infiltrer.
- Veuillez vous assurer d'utiliser la pièce fournie ou les pièces spécifiées pour l'installation. L'utilisation de pièces défectueuses peut être à l'origine de blessures corporelles ou d'une fuite d'eau suite à un incendie, une électrocution, la chute de l'appareil, etc.
- Aérez le local en cas de fuite de réfrigérant en cours de fonctionnement. Tout contact du réfrigérant avec une flamme libère des gaz toxiques.
- Lors de l'installation, du déplacement ou de l'entretien du climatiseur, n'utilisez que le réfrigérant spécifié (R410A) pour remplir les tuyaux de réfrigérant. Ne le mélangez pas avec un autre réfrigérant et veillez à ce que les tuyaux soient exempts d'air. Un mélange d'air et de réfrigérant peut être à l'origine d'une pression anormalement élevée dans la tuyauterie de réfrigérant, ce qui peut résulter en une explosion et d'autres risques. L'utilisation d'un réfrigérant autre que celui spécifié pour le système provoquerait une défaillance mécanique, un dysfonctionnement du système ou une panne de l'appareil. Dans le pire des cas, la sécurité du produit pourrait être gravement affectée.

- Veuillez suivre les instructions de ce manuel pour l'installation de la tuyauterie et du système d'évacuation. Si les travaux de vidange/tuyauterie ne sont pas réalisés correctement, de l'eau pourrait s'écouler et endommager le mobilier qui se trouve sous l'appareil.
- Serrez les écrous évasés avec une clé dynamométrique en respectant les indications du présent manuel. Un écrou évasé trop serré peut casser au bout d'un certain temps et provoquer une fuite de réfrigérant.
- Si l'appareil fonctionne pendant de nombreuses heures lorsque la température/le taux d'humidité de l'air au-dessus du plafond sont élevés (point de rosée supérieur à 26 °C, 79 °F), de la condensation peut se produire dans l'appareil intérieur ou dans les matériaux du plafond. Si les appareils doivent être utilisés dans ces conditions, ajoutez une couche d'isolation (10 à 20 mm, 13/32 à 15/32 pouces) sur toute la surface de l'appareil et du plafond pour éviter la condensation.

### 2.2. Sabot de réception du boîtier de télécommande sans fil (Pour PAR-SF9FA-E\*)

- Emplacement devant recevoir le sabot
    - Emplacement dont l'accès est facile et visible.
    - Emplacement n'étant pas à la portée des enfants.
  - Sabot de réception
- Choisissez un emplacement se trouvant à une hauteur d'environ 1,2 m (4 pieds) du sol, vérifiez que les signaux transmis par le boîtier de télécommande sont bien reçus par l'appareil intérieur à partir de cet emplacement (un signal sonore ou plusieurs signaux sonores indiquent que la réception a lieu), fixez le support de la télécommande sur un pilier ou sur le mur puis installez le boîtier de télécommande dedans.

- Emplacement permettant d'obtenir un éloignement suffisant d'une lampe fluorescente ou de tout autre dispositif d'éclairage à ampoule (la proximité de ces dispositifs entrave la réception des signaux de commande du boîtier de télécommande et empêche le climatiseur de fonctionner normalement).
- Emplacement permettant de retirer et remplacer facilement le filtre à air.

### ⚠ Avertissement :

Fixez l'appareil intérieur dans un plafond suffisamment résistant pour supporter son poids.

L'appareil intérieur peut ne pas recevoir les signaux de la télécommande dans une pièce dont le système d'éclairage est à lampes fluorescentes à oscillateur intermittent.

### 3. Schéma d'installation

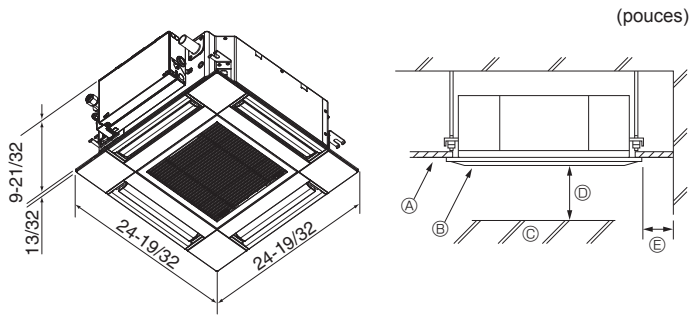


Fig. 3-1

#### 3.1. Appareil intérieur (Fig. 3-1)

- Ⓐ Plafond
  - Ⓑ Grille
  - Ⓒ Obstacle
  - Ⓓ Min. 1000 mm (40 pouces)
  - Ⓔ Min. 500 mm (20 pouces) (toute la périphérie)
- Lors de la définition de l'espace de maintenance pour Ⓓ, veillez à laisser au moins 700 mm (28 pouces).

**⚠ Avertissement :**  
**Fixez l'appareil intérieur à un plafond suffisamment résistant pour supporter son poids.**

#### 3.2. Appareil extérieur

Consultez le manuel d'installation de l'appareil extérieur.

### 4. Installation de l'appareil intérieur

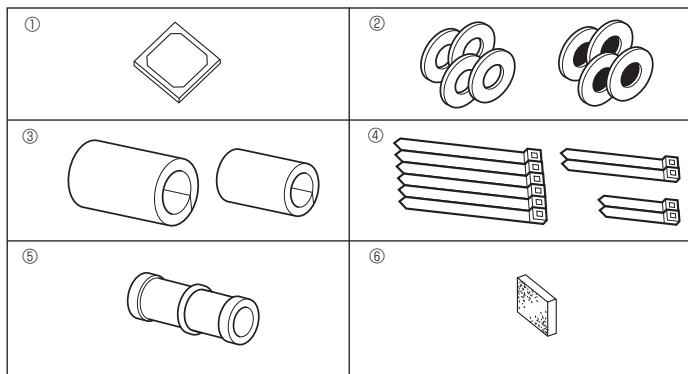


Fig. 4-1

#### 4.1. Vérifiez les accessoires qui accompagnent l'appareil intérieur (Fig. 4-1)

L'appareil intérieur doit être livré avec les accessoires suivants.

	Nom de l'accessoire	Qté
①	Schéma d'installation	1
②	Rondelles (avec isolation)	4
	Rondelles (sans isolation)	4
③	Cache-tuyaux (pour le raccord des tuyaux de réfrigérant) petit diamètre (liquide)	1
	grand diamètre (gaz)	1
④	Courroie (large)	6
	Courroie (moyenne)	2
	Courroie (petite)	2
⑤	Prise d'écoulement	1
⑥	Isolation	1

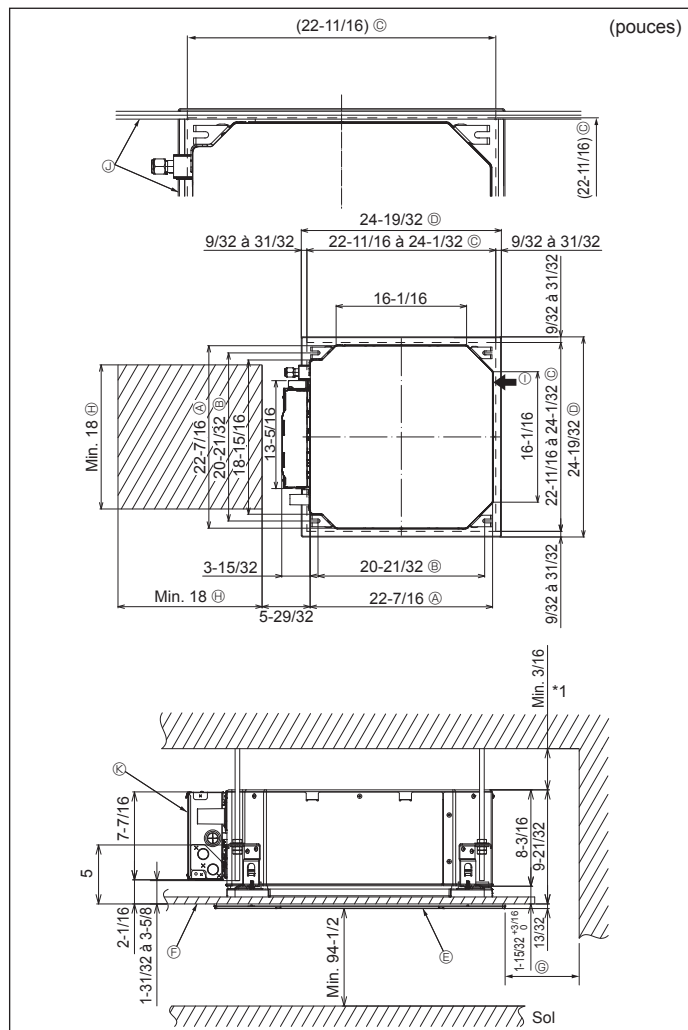


Fig. 4-2

#### 4.2. Emplacement d'installation des ouvertures au plafond et boulon de suspension (Fig. 4-2)

**⚠ Attention :**  
**Installez l'appareil intérieur à 2,4 m (8 pieds) au moins au-dessus du sol ou sur un plan surélevé.**  
**Pour les appareils qui ne sont pas accessibles au public.**

- À l'aide du modèle d'installation et de la jauge (fournie comme accessoire avec la grille), réalisez une ouverture dans le plafond afin de pouvoir installer l'appareil principal comme indiqué sur le schéma. (La méthode d'utilisation du modèle et de la jauge y figure.)
  - \* Avant utilisation, vérifiez les dimensions du modèle et de la jauge, car ils sont sensibles aux fluctuations de température et d'humidité.
  - \* Les dimensions de l'ouverture au plafond peuvent être comprises dans la plage figurant sur le schéma suivant. Par conséquent, centrez l'appareil principal dans l'ouverture en veillant à ce que le dégagement des côtés opposés respectifs soit identique.
- Utilisez des boulons de suspension M10 (3/8").
  - \* Les boulons de suspensions doivent être procurés sur place.
- Par mesure de sécurité, effectuez l'installation de sorte qu'il n'y ait pas d'espace entre le panneau du plafond et la grille, ainsi qu'entre l'appareil principal et la grille.

- Ⓐ Côté extérieur de l'appareil principal
- Ⓑ Boulon de suspension
- Ⓒ Ouverture au plafond
- Ⓓ Côté extérieur de la grille
- Ⓔ Grille
- Ⓕ Plafond
- Ⓖ Min. 500 mm (20 pouces) (périphérie complète)
- Ⓗ Lors de la détermination de l'espace nécessaire à l'entretien pour Ⓖ, veillez à laisser une distance d'au moins 700 mm (28 pouces).
- Ⓘ Espace nécessaire à l'entretien
- Ⓚ Arrivée d'air frais
- Ⓛ Angle
- Ⓜ Boîtier des composants électriques

\* Laissez l'espace nécessaire à l'entretien à l'extrémité du boîtier des composants électriques.

\* En cas d'installation dans un emplacement existant au plafond ou en cas d'application d'isolation supplémentaire, veillez à laisser une distance minimale de 25 mm (1 pouce).

## 4. Installation de l'appareil intérieur

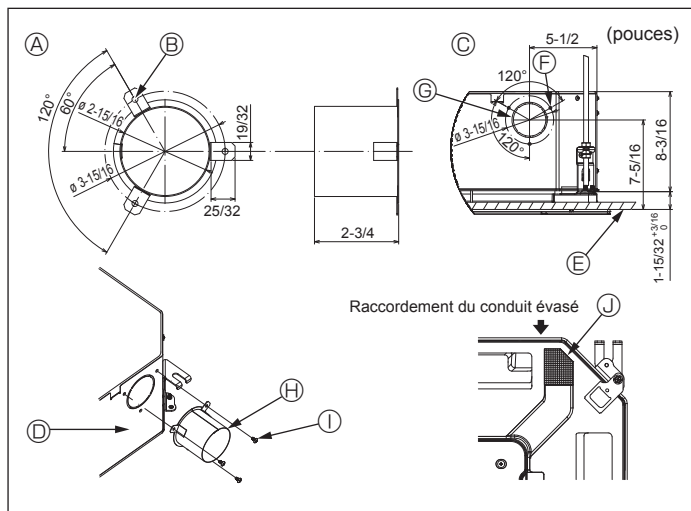


Fig. 4-3

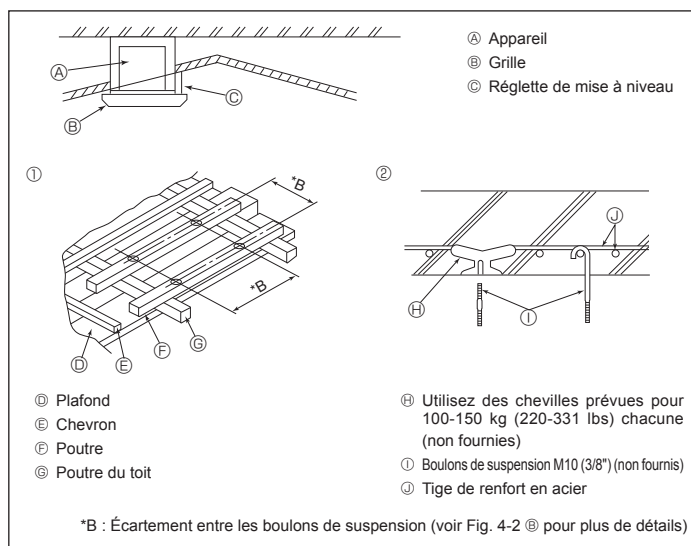


Fig. 4-4

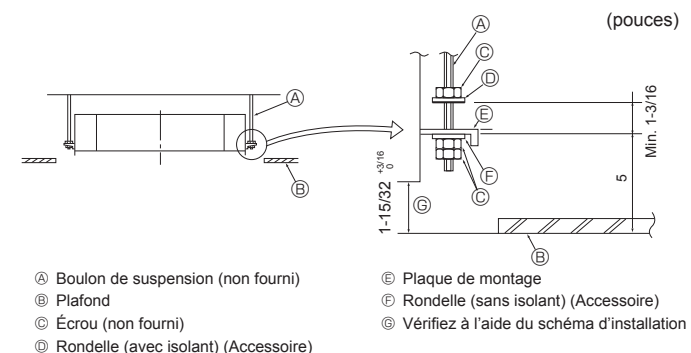


Fig. 4-5

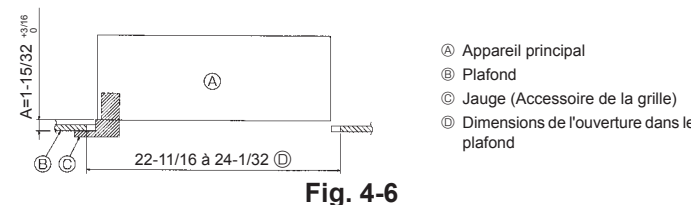
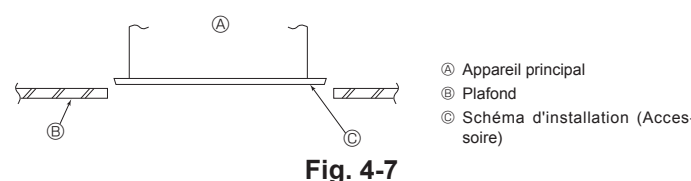


Fig. 4-6



## 5. Mise en place des tuyaux de réfrigérant

### 5.1. Consignes

Pour les appareils utilisant le réfrigérant R410A

- Utilisez de l'huile alkylbenzène (en petite quantité) comme huile frigorigène sur les parties évasées.
- Utilisez le cuivre phosphoreux C1220, pour des tuyaux sans soudure en cuivre et en alliage de cuivre, pour raccorder les tuyaux de réfrigérant. Utilisez les tuyaux de réfrigérant dont l'épaisseur est spécifiée dans le tableau ci-dessous. Vérifier que l'intérieur des tuyaux est propre et dépourvu de tout agent nocif tel que des composés sulfuriques, des oxydants, des débris ou des saletés.

#### ⚠ Avertissement :

Lors de l'installation, du déplacement ou de l'entretien du climatiseur, n'utilisez que le réfrigérant indiqué sur l'appareil extérieur pour remplir les tuyaux de réfrigérant. Ne pas le mélanger avec un autre réfrigérant et faire le vide d'air dans les tuyaux. Si du réfrigérant est mélangé avec de l'air, cela peut provoquer des pointes de pression dans les tuyaux de réfrigérant et entraîner une explosion et d'autres risques. L'utilisation d'un réfrigérant différent de celui spécifié pour le climatiseur peut entraîner des défaillances mécaniques, des dysfonctionnements du système ou une panne de l'appareil. Dans le pire des cas, cela peut entraîner un obstacle à la mise en sécurité du produit.

### 5.2. Tuyaux de réfrigérant (Fig. 5-1)

Préparation des tuyaux

(1) Le tableau ci-dessous montre les spécifications des tuyaux disponibles en commerce.

Modèle	Tuyau	Diamètre extérieur		Épaisseur min. du mur	Épaisseur de l'isolation	Matériau d'isolation
		mm	pouce			
SLZ-KF09 SLZ-KF12	De liquide	6,35	1/4	0,8 mm (1/32 pouce)	8 mm (10/32 pouce)	Mousse plastique résistante à la chaleur d'une densité de 0,045
	De gaz	9,52	3/8	0,8 mm (1/32 pouce)	8 mm (10/32 pouce)	
SLZ-KF15 SLZ-KF18	De liquide	6,35	1/4	0,8 mm (1/32 pouce)	8 mm (10/32 pouce)	
	De gaz	12,7	1/2	0,8 mm (1/32 pouce)	8 mm (10/32 pouce)	

(2) Assurez-vous que les 2 tuyaux de réfrigérant sont isolés pour éviter toute condensation.

(3) Le rayon du cintrage d'un tuyau de réfrigérant doit être de 100 mm (4 pouces) minimum.

#### ⚠ Attention :

Utilisez un isolant de l'épaisseur spécifiée. Trop d'épaisseur empêchera le stockage derrière l'appareil intérieur et un isolant trop mince ne pourra éviter le suintage de condensation.

### 5.3. Évasement

- La cause principale de fuite de gaz est un évasement déficient.

Des travaux d'évasement corrects doivent être réalisés conformément à la procédure suivante.

#### 5.3.1. Couper le tuyau (Fig. 5-2)

- Utilisez un coupe-tuyaux pour couper le tube en cuivre correctement.

#### 5.3.2. Enlever les bavures (Fig. 5-3)

- Enlevez toutes les bavures du tube/tuyau coupé.
- Tenez le tuyau/tube avec le bout orienté vers le bas pendant que vous enlevez les bavures pour éviter qu'elles ne tombent à l'intérieur du tuyau.

#### 5.3.3. Mettre l'écrou en place (Fig. 5-4)

- Enlevez les écrous évasés situés sur les appareils intérieur et extérieur, puis mettez-les sur le tube/tuyau une fois toutes les bavures enlevées. (il est impossible de les poser après les travaux d'évasement)

#### 5.3.4. Évasement (Fig. 5-5)

- Effectuez les travaux d'évasement à l'aide de l'outil d'évasement en suivant les indications du croquis ci-contre.

Diamètre du tuyau (mm, pouce)	Dimension	
	A (mm, pouces)	
	Lors de l'utilisation de l'outil pour le R410A	
	Modèle à manivelle	
6,35, 1/4"	0 à 0,5, 0 à 1/64	9,1, 11/32
9,52, 3/8"	0 à 0,5, 0 à 1/64	13,2, 17/32
12,7, 1/2"	0 à 0,5, 0 à 1/64	16,6, 21/32

Coincez fermement le tube en cuivre dans un étau aux dimensions indiquées ci-dessus.

#### 5.3.5. Vérification (Fig. 5-6)

- Comparez l'évasement avec le croquis ci-contre.
- Si l'évasement est déficient, coupez la partie évasée et refaites l'évasement.
  - ⓐ Lisse tout autour
  - ⓑ L'intérieur brille et n'est pas rayé
  - ⓒ La même longueur partout
  - ⓓ Trop
  - ⓔ Penché
  - ⓕ Rayure sur la surface évasée
  - ⓖ Craqué
  - ⓗ Inégal
  - ⓘ Exemples de mauvais spécimens

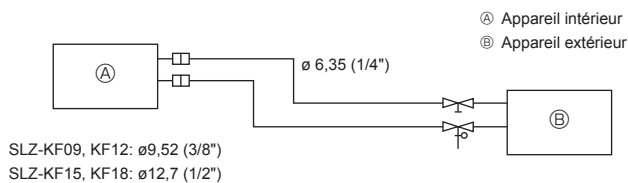


Fig. 5-1

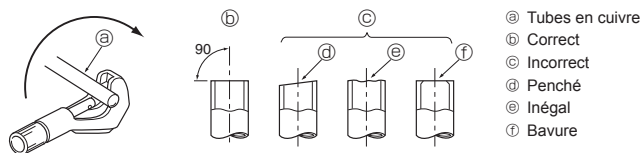


Fig. 5-2

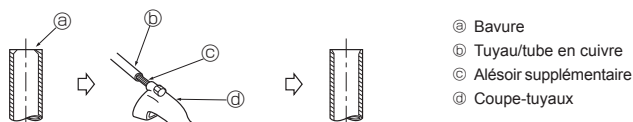


Fig. 5-3



Fig. 5-4

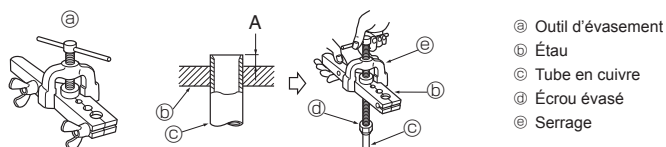


Fig. 5-5

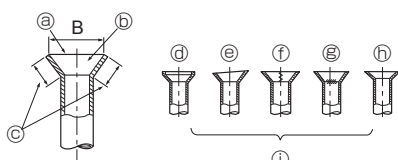


Fig. 5-6

## 5. Mise en place des tuyaux de réfrigérant

(pouces)

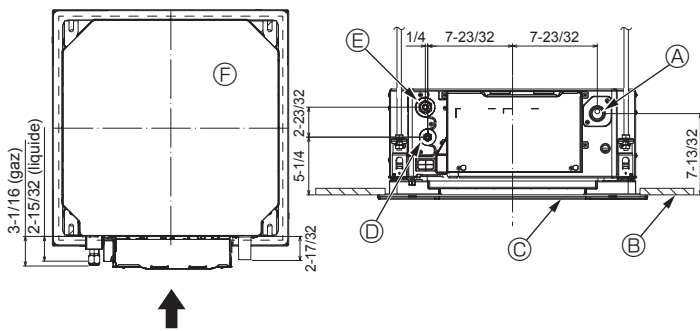


Fig. 5-7

### 5.4. Emplacements des tuyaux de réfrigérant et d'écoulement (Fig. 5-7)

- Ⓐ Tuyau de vidange
- Ⓑ Plafond
- Ⓒ Grille
- Ⓓ Tuyau de réfrigérant (liquide)
- Ⓔ Tuyau de réfrigérant (gaz)
- Ⓕ Appareil principal

Modèle	Dimension (mm, pouces)	
	A (liquide)	B (gaz)
SLZ-KF09 SLZ-KF12	63, 2-15/32	72, 2-27/32
SLZ-KF15 SLZ-KF18	63, 2-15/32	78, 3-1/16

### 5.5. Connexion des tuyaux (Fig. 5-8)

#### appareil intérieur

##### 1) En cas d'utilisation de tuyaux de cuivre disponibles sur le marché :

- Appliquez un film mince d'huile réfrigérante sur la surface du tuyau et du support du joint avant de serrer l'écrou évasé.
- Utilisez deux clés pour serrer les connexions des tuyaux.
- Faites le vide d'air du tuyau de réfrigérant en utilisant votre propre gaz réfrigérant (ne purgez pas l'air du réfrigérant chargé dans l'appareil extérieur).
- Lorsque le raccord des tuyaux est terminé, utilisez un détecteur de fuite de gaz ou une solution savonneuse à base d'eau pour vous assurer qu'il n'y a pas de fuite de gaz.
- Utilisez l'écrou évasé monté sur cet appareil intérieur.
- En cas de repose des tuyaux de réfrigérant après démontage, refaites la partie évasée du tuyau.
- Utilisez le matériau d'isolation des tuyaux fourni pour envelopper les connexions des appareils intérieurs. Isolez soigneusement les tuyaux comme indiqué ci-dessous.

##### 2) Isolation des tuyaux de réfrigérant contre la chaleur :

- ① Enroulez la gaine isolante de grande dimension fournie autour du tuyau de gaz, en vous assurant que l'extrémité de la gaine isolante touche le côté de l'appareil.
  - ② Enroulez la gaine isolante de petite dimension fournie autour du tuyau de liquide, en vous assurant que l'extrémité de la gaine isolante touche le côté de l'appareil.
  - ③ Fixez les deux extrémités de chaque gaine isolante à l'aide des bandes fournies. (Attachez les bandes à 20 mm (25/32 pouce) des extrémités des gaines isolantes.)
- Vérifiez que la fente dans la gaine isolante est orientée vers le haut une fois celui-ci installé.

Vérifiez que la vanne d'arrêt de l'appareil extérieur est fermée à fond. (L'appareil extérieur est livré d'usine avec la vanne fermée). Lorsque le raccordement des tuyaux des appareils intérieur et extérieur est terminé, faites le vide d'air du système par le port de service de la vanne d'arrêt, sur l'appareil extérieur. Lorsque les procédures décrites plus haut sont terminées, ouvrez à fond les tiges des vannes d'arrêt de l'appareil extérieur. Cette opération termine le raccordement du circuit de réfrigérant entre les appareils intérieur et extérieur. Les instructions concernant les vannes d'arrêt sont indiquées sur l'appareil extérieur.

#### Serrage de l'écrou évasé

- Appliquez une fine couche d'huile de réfrigérant sur la surface d'appui du tuyau. (Fig. 5-9)
- Le raccordement est réalisé en alignant d'abord le centre puis en serrant les 3 ou 4 premiers tours de l'écrou de fixation à évasement.
- Appliquez les couples de serrage spécifiés dans le tableau ci-dessous comme moyen de référence pour les raccords de tuyauterie de l'appareil intérieur et serrez avec deux clés. Un serrage excessif risque d'endommager la partie évasée.

- Ⓐ Appliquer de l'huile réfrigérante sur toute la surface évasée du fond.
- Ⓑ Utiliser des écrous évasés corrects correspondant à la taille des tuyaux de l'appareil extérieur.
- Ⓒ Couple de serrage du raccord conique

Diam. ext. Tuyau en cuivre (mm, pouces)	D.E. écrou évasé (mm, pouces)	Couple de serrage (N·m, ft·lbs)
ø6,35, 1/4	17, 21/32	14 à 18, 10 à 13
ø9,52, 3/8	22, 7/8	34 à 42, 25 à 31
ø12,7, 1/2	26, 1-1/32	49 à 61, 36 à 45

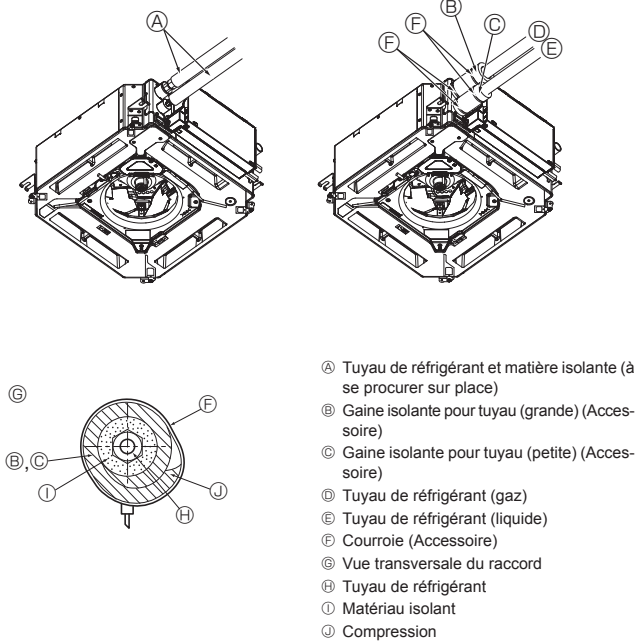


Fig. 5-8

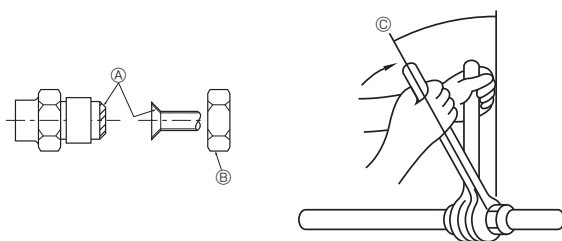


Fig. 5-9



## 6. Mise en place du tuyau d'écoulement

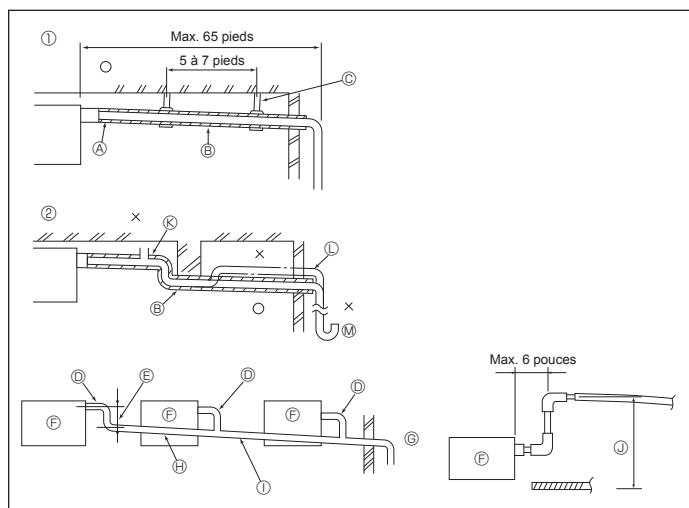


Fig. 6-1

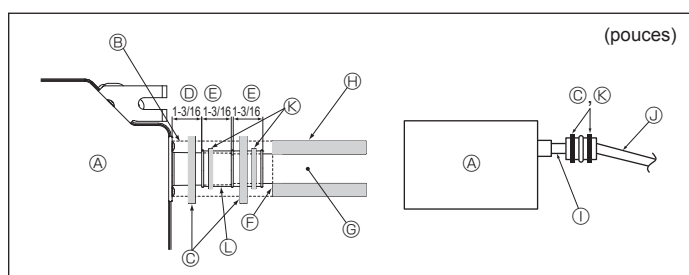


Fig. 6-2

### 6.1. Mise en place du tuyau d'écoulement (Fig. 6-1)

- Utilisez du tube VP25 (PVC, D.E.  $\varnothing 32$  mm (1-1/4 pouces)) pour réaliser le tuyau d'écoulement et prévoyez une pente descendante d'au moins 1 %.
- Veillez à toujours raccorder les joints des tuyauteries à l'aide d'adhésif de type polyvinyle.
- Suivez le schéma pour effectuer la mise en place de la tuyauterie.
- Utilisez le tuyau d'écoulement fourni pour modifier le sens d'évacuation.

- ① Tuyauterie correcte
- ② Tuyauterie incorrecte
- A Isolation (9 mm (11/32 pouce) minimum)
- B Pente descendante (1 % minimum)
- C Support métallique
- K Purgeur d'air
- L Relevé
- M Piège à odeurs

#### Mise en place groupée des tuyaux

- Ⓜ TUBE PVC D.E.  $\varnothing 32$  mm (1-1/4 pouces)
- Ⓝ Passage aussi long que possible
- Ⓞ Appareil intérieur
- Ⓟ Prévoyez un orifice suffisamment grand pour la mise en place groupée des tuyaux.
- Ⓠ Pente descendante (1 % ou plus)
- Ⓡ Tube en PVC, D.E.  $\varnothing 38$  mm (1-1/2 pouces) pour la mise en place groupée des tuyaux. (Isolation de 9 mm (11/32 pouce) minimum)
- Ⓢ Jusqu'à 850 mm (33 pouces)

1. Raccordez la prise d'écoulement (fournie avec l'appareil) à l'orifice de drainage. (Fig. 6-2)  
(Appelez le tube à l'aide de ruban adhésif PVC puis fixez-le avec une sangle.)
2. Installez un tuyau de drainage à vous procurer sur place (tuyau en PVC, D.E.  $\varnothing 32$  mm (1-1/4 pouces)).  
(Appelez le tuyau à l'aide de ruban adhésif PVC puis fixez-le avec une sangle.)
3. Isolez le tube et le tuyau. (tuyau en PVC, D.E.  $\varnothing 32$  mm (1-1/4 pouces) et prise)
4. Vérifiez que le drainage s'écoule normalement.
5. Isolez l'orifice de drainage avec un matériau isolant, puis fixez l'isolant avec une sangle. (Le matériau isolant et la sangle sont tous deux fournis avec l'appareil.)

- A Appareil principal
- B Matière isolante
- C Courroie (grande)
- D Port de drainage (transparent)
- E Marge d'insertion
- F Correspondance
- G Tuyau de drainage (tuyau en PVC, D.E.  $\varnothing 32$  mm (1-1/4 pouces))
- H Matière isolante (à se procurer sur place)
- I Tuyau en PVC transparent
- J TUBE PVC D.E.  $\varnothing 32$  mm (1-1/4 pouces) (pente de 1 % minimum)
- K Courroie (moyenne)
- L Prise d'écoulement

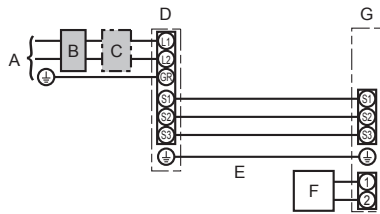
## 7. Installations électriques

### 7.1. Alimentation de l'appareil intérieur provenant de l'appareil extérieur

Les schémas de connexion suivants sont disponibles.

Les schémas d'alimentation de l'appareil extérieur varient selon les modèles.

#### 1:1 System



- A Source d'alimentation de l'appareil extérieur
- B Disjoncteur de fuite à la terre
- C Coupe-circuit ou interrupteur d'isolement
- D Appareil extérieur
- E Cordons de raccordement de l'appareil intérieur/extérieur
- F Commande à distance
- G Appareil intérieur

Modèle de l'appareil intérieur		SLZ
Câblage No du câble x taille (mm <sup>2</sup> )	Appareil intérieur-appareil extérieur *1	3 x AWG16 (polar)
	Mise à la terre de l'appareil intérieur/extérieur *1	1 x Min. AWG16
	Mise à la terre de l'appareil intérieur	1 x Min. AWG16
	Télécommande - Appareil intérieur *2	2 x AWG22 (Non polarisé)
Tension du circuit	Appareil intérieur (Réchauffeur) L-N *3	—
	Appareil intérieur-appareil extérieur S1-S2 *3	208/230 V CA
	Appareil intérieur-appareil extérieur S2-S3 *3	24 V CC
	Télécommande - Appareil intérieur *3	12 V CC

\*1. <Application de l'appareil extérieur 09-18>

45 m max., 148 pieds

En cas d'utilisation de AWG13 (2,5 mm<sup>2</sup>), 50 m max., 165 pieds

En cas d'utilisation de AWG13 (2,5 mm<sup>2</sup>) et S3 séparée, 80 m max., 263 pieds

\*2. 500 m max., 1640 pieds

(Lorsque 2 télécommandes sont utilisées, la longueur maximale de câblage pour les câbles de télécommande est de 200 m, 656 pieds.)

\*3. Les chiffres ne s'appliquent PAS toujours à la mise à la terre.

La borne S3 présente une différence de 24 V CC par rapport à la borne S2. Les bornes S3 et S1 ne sont pas isolées électriquement par le transformateur ou tout autre appareil.

**Remarques :** 1. La taille des fils doit être conforme aux réglementations nationales et locales pertinentes.

2. Le poids des câbles de connexion entre l'appareil intérieur et l'appareil extérieur doit être égal ou supérieur au poids de câbles flexibles à gaine polychloroprène (conception 60245 IEC 57).

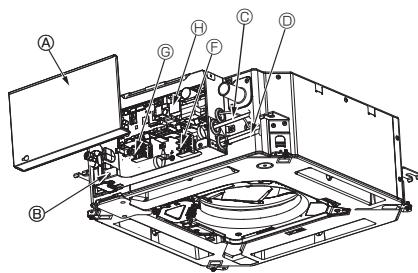
3. Installer un câble de terre plus long que les autres câbles.

4. Les câbles de connexion des appareils intérieur et extérieur sont polarisés. Respectez les numéros de borne (S1, S2, S3) pour procéder à un raccordement correct.

5. Le câble de la télécommande doit être maintenu à une certaine distance (au moins 5 cm, 2 pouces) du câble d'alimentation afin d'éviter les interférences dues au bruit électrique généré par le câble d'alimentation.

#### ⚠ Avertissement :

Ne jamais effectuer de jonction du câble d'alimentation ou du câble de raccordement intérieur-extérieur car cela peut entraîner une surchauffe, un incendie ou un raccordement défaillant.



- Ⓐ Couvercle des composants électriques
- Ⓑ Boîtier des composants électriques
- Ⓒ Entrée du câble de connexion Intérieur-Extérieur
- Ⓓ Entrée du câble de télécommande filaire
- Ⓔ Collier de câble
- Ⓕ Bornes pour le raccord des appareils intérieur/extérieur
- Ⓖ Borne de la télécommande filaire
- Ⓗ Commande intérieure
- Ⓘ Câble de mise à la terre

Fig. 7-1

### 7.2. Appareil intérieur (Fig. 7-1) (Fig. 7-2) (Fig. 7-3)

#### Procédure

1. Desserrez les deux vis de fixation du couvercle des composants électriques, puis faites glisser le couvercle et retirez-le.
  2. Faites passer les fils le long des chemins de câblage et dans les entrées de fils du boîtier des composants électriques, (Procurez-vous sur place le câble d'alimentation électrique et le câble de connexion entre les appareils intérieur/extérieur.)
  3. Fixez fermement le câble d'alimentation et le câble de connexion des appareils intérieur/extérieur au bloc de sortie.
  4. Fixez les fils à l'aide de brides pour câblage à l'intérieur du boîtier des composants électriques.  
Fixez les fils à l'aide de brides pour câblage en tant que composants isolants afin qu'aucune contrainte ne soit exercée sur les sections de raccordement du bloc de sortie lorsqu'une tension est générée.
  5. Reposez le couvercle des composants électriques.  
Veillez à ne pas pincer les fils.
- Ne laissez pas les vis des borniers desserrés.
  - Du ruban adhésif est fixé sur l'orifice du conduit utilisé pour raccorder le câblage électrique. Retirez ce ruban adhésif si vous réalisez une connexion à travers cet orifice.

#### ⚠ Avertissement :

- Engagez le couvercle des composants électriques dans les crochets du support du boîtier électrique et fixez correctement le couvercle. S'il est mal fixé, un incendie ou un choc électrique risquent de se produire en raison de la présence de poussière, d'eau, etc.
- Utilisez le câble de connexion spécifié pour raccorder les appareils intérieurs et extérieurs et fixez le câble fermement sur le bornier de façon à ce que le bornier ne subisse aucune contrainte. Un raccordement incomplet ou une fixation faible pourraient provoquer un incendie.

## 7. Installations électriques

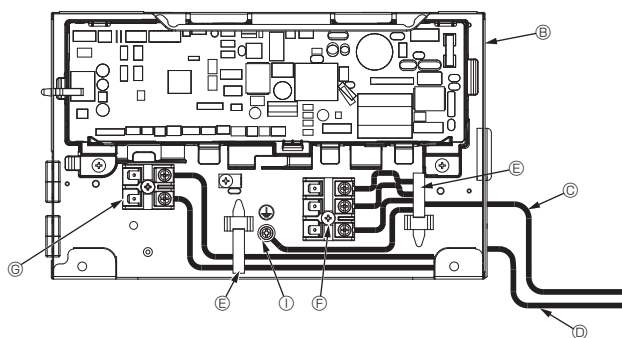


Fig. 7-2

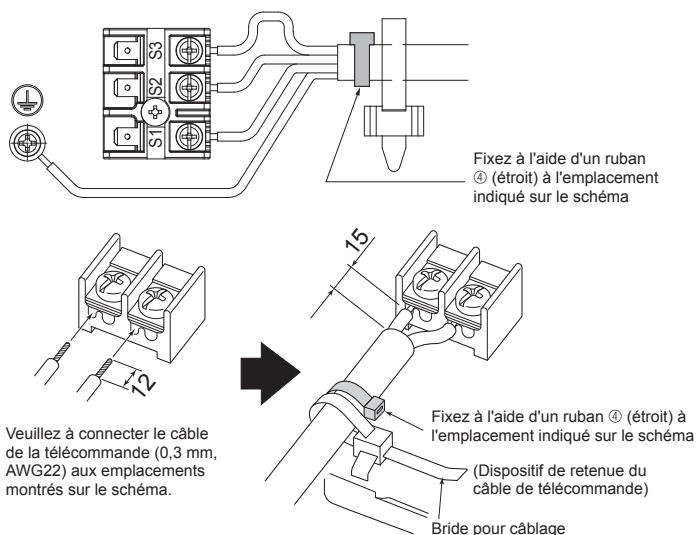
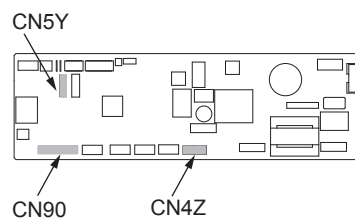


Fig. 7-3

### ⚠ Attention :

- Avant d'installer la grille, vérifiez que le fil de jonction est raccordé.
- Si la grille est équipée d'un récepteur de signal ou d'un capteur i-see, le pack de la grille inclut le fil de jonction.

Récepteur de signal : CN90  
 Capteur 3D i-See : CN5Y  
 Moteur du capteur 3D i-see : CN4Z



### 7.2.1. Installation du capteur i-See et du récepteur de signal

Avant d'installer la grille, connectez les fils de jonction fournis avec les accessoires de la grille, et placez-les dans la boîte de raccordement.

- ① Retirez les deux vis de fixation du couvercle des fils de l'appareil principal, puis ouvrez le couvercle.
- ② Faites passer les fils du capteur i-See et du récepteur de signal dans les entrées de fils du boîtier des composants électriques, comme montré sur le schéma, et autour des traversées isolées sur le côté de l'appareil principal. (Fig. 7-4)  
Lors du passage des câbles, ouvrez le collier qui fixe le fil de jonction de la grille, puis fixez le fil de jonction de la grille et les fils du capteur i-See et du récepteur de signal à l'aide du collier.
- ③ Retirez la vis de fixation du couvercle de la boîte de raccordement, puis ouvrez le couvercle. (Fig. 7-5)
- ④ Placez le connecteur du fil de jonction dans la boîte de raccordement.
- ⑤ Installez le couvercle des fils et le couvercle de la boîte de raccordement.

### ⚠ Attention :

Lors de l'installation des couvercles, vérifiez que les fils ne soient pas pincés. Placez le ruban de fixation des fils de jonction entre les rainures de la boîte de raccordement, comme indiqué sur le schéma. (Fig. 7-6)

- Ⓐ Couvercle des fils
- Ⓑ Couvercle de la boîte de raccordement
- Ⓒ Boîte de raccordement
- Ⓓ Fil du capteur i-See ou du récepteur de signal (Accessoire de la grille)
- Ⓔ Ruban

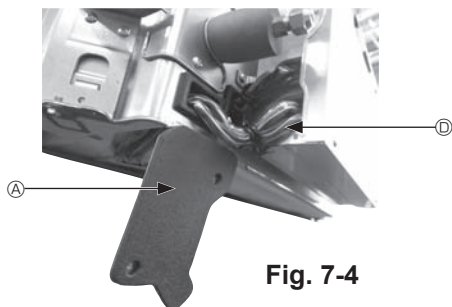


Fig. 7-4

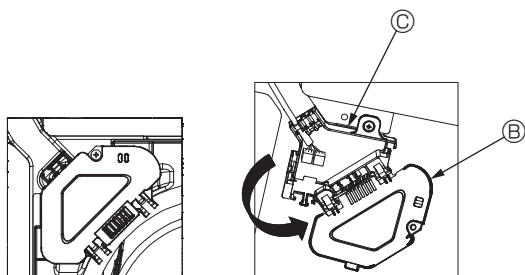


Fig. 7-5

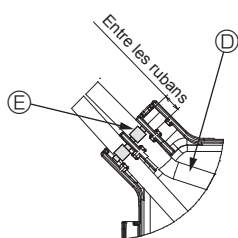


Fig. 7-6

## 7. Installations électriques

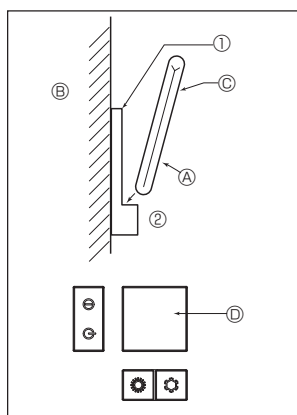


Fig. 7-7

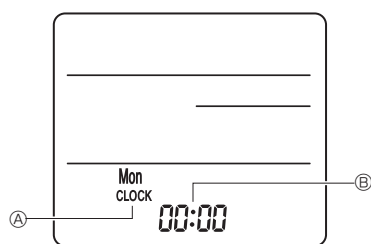


Fig. 7-8

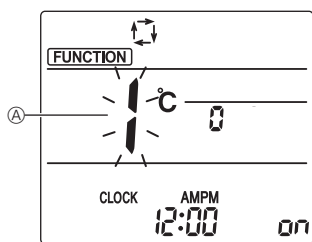
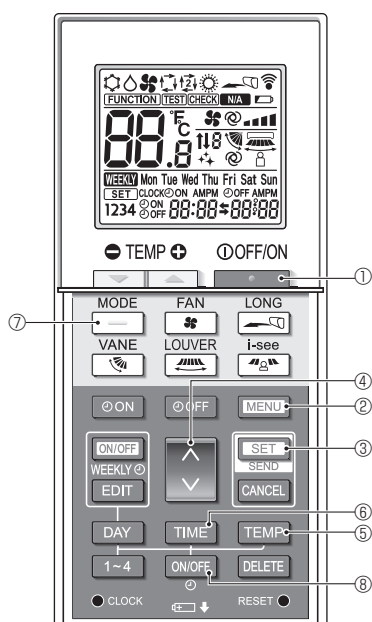


Fig. 7-9

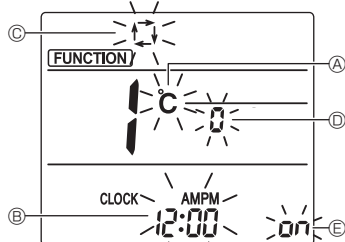


Fig. 7-10

### 7.3. Télécommande

Pour l'utilisation simultanée d'une télécommande câblée et d'une télécommande sans fil, utilisez la télécommande sans fil suivante.

#### 7.3.1. Télécommande filaire

##### 1) Méthodes d'installation

Pour en savoir plus, consulter le manuel d'installation fourni avec chaque télécommande.

##### 2) Sélection des fonctions

Si deux télécommandes sont connectées, réglez l'une sur "principal" et l'autre sur "auxiliaire". Pour prendre connaissance des procédures de configuration, consultez "Sélection des fonctions" dans le mode d'emploi de l'appareil intérieur.

#### 7.3.2. Pour la télécommande sans fil

##### 1) Où l'installer

- Dans un endroit protégé des rayons du soleil.
- Éloignée de toute source de chaleur.
- Dans un endroit où la télécommande ne sera pas sujette aux vents froids ou chauds.
- Dans un endroit où il sera facile d'utiliser la télécommande.
- Hors de la portée des enfants.

##### 2) Méthode d'installation (Fig. 7-7)

- ① Attachez le support de la télécommande à l'endroit voulu à l'aide de 2 vis à taraud.
- ② Mettez la partie inférieure de la télécommande dans le support.

Ⓐ Télécommande Ⓑ Mur Ⓒ Afficheur Ⓓ Récepteur

- Le signal peut voyager jusqu'à 7 mètres, 23 pieds en ligne droite jusqu'à un angle de 45 degrés sur la droite ou la gauche de la ligne centrale de l'appareil.

##### 3) Réglage (Réglage de l'horloge) (Fig. 7-8)

1. Insérez les piles ou appuyez sur la touche ● CLOCK à l'aide d'un objet pointu. [CLOCK] (HORLOGE) Ⓐ et [:] Ⓑ clignotent.
2. Appuyez sur la touche de réinitialisation RESET ● à l'aide d'un objet pointu.
3. Appuyez sur les touches de réglage ⏮ pour régler l'heure. Appuyez sur la touche DAY pour régler le jour.
4. Pour terminer, appuyez sur la touche ● CLOCK à l'aide d'un objet pointu. [CLOCK] (HORLOGE) et [:] s'illuminent.

##### 4) Mode initial

Les réglages suivants peuvent être faits dans le mode de réglage initial.

Point de réglage	Réglage	Fig. 7-10
Unité de température	°C/°F	Ⓐ
Affichage de l'heure	Format 12 heures/Format 24 heures	Ⓑ
Mode AUTO	Point de réglage unique/Point de réglage double	Ⓒ
N° de paire	0-3	Ⓓ
Rétro-éclairage	Marche/arrêt	Ⓔ

#### 4-1. Passage en mode de réglage initial

1. Appuyez sur la touche [STOP] ① pour arrêter le climatiseur.
2. Appuyez sur la touche MENU ②.  
L'écran Réglage des fonctions s'affiche et le n° de la fonction Ⓐ clignote. (Fig. 7-9)
3. Appuyez sur la touche ⏮ ④ pour changer le n° de fonction.  
L'écran de réglage de l'affichage s'affiche. (Fig. 7-10)

#### 4-2. Changement de l'unité de température Ⓐ

- Appuyez sur la touche TEMP ⑤.  
À chaque pression sur la touche TEMP ⑤, le réglage change entre C et F.  
C : La température est affichée en degrés Celsius.  
F : La température est affichée en degrés Fahrenheit.

#### 4-3. Changement de l'affichage de l'heure Ⓑ

- Appuyez sur la touche TIME ⑥.  
À chaque pression sur la touche TIME ⑥, le réglage change entre 12:00 et 24:00.  
12:00<sup>AMPM</sup> : L'heure est affichée au format 12 heures.  
24:00<sup>AMPM</sup> : L'heure est affichée au format 24 heures.

#### 4-4. Changement du mode AUTO Ⓒ

- Appuyez sur la touche [ ] ⑦.  
À chaque pression sur la touche [ ] ⑦, le réglage change entre 1 et 2.  
1 : Le mode AUTO fonctionne comme le mode automatique habituel.  
2 : Le mode AUTO fonctionne en utilisant des points de réglage doubles.

#### 4-5. Changement du n° de paire Ⓓ

- Appuyez sur la touche ⏮ ④.  
À chaque pression sur la touche ⏮ ④, le n° de paire 0-3 change.

Numéro de paire de la télécommande sans fil	Carte électronique d'appareil intérieur
0	Réglage Initial
1	Coupe J41
2	Coupe J42
3	Coupe J41, J42

#### 4-6. Changement du réglage du rétro-éclairage Ⓔ

- Appuyez sur la touche ON/OFF ⑧.  
À chaque pression sur la touche ON/OFF ⑧, le réglage change entre on et off.  
on : Le rétro-éclairage s'active lorsqu'une pression est exercée sur une touche.  
off : Le rétro-éclairage ne s'active pas lorsqu'une pression est exercée sur une touche.

## 7. Installations électriques

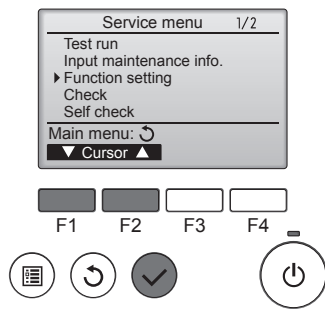


Fig. 7-11

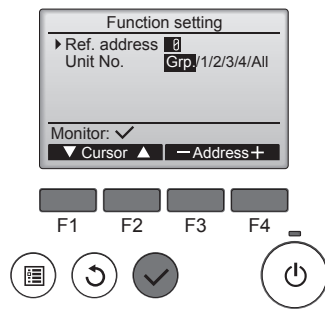


Fig. 7-12

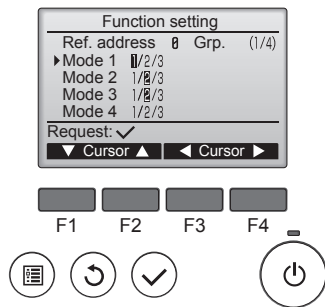


Fig. 7-13

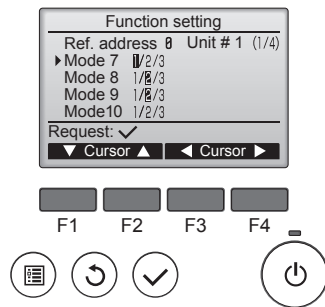


Fig. 7-14

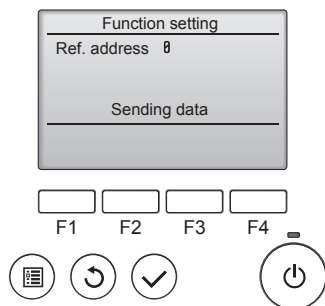


Fig. 7-15

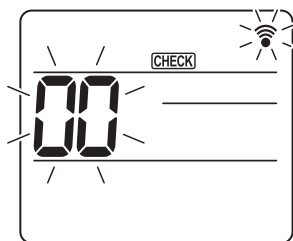


Fig. 7-16

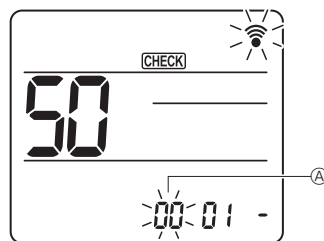


Fig. 7-17

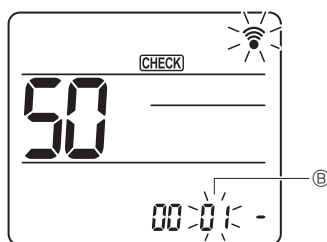


Fig. 7-18

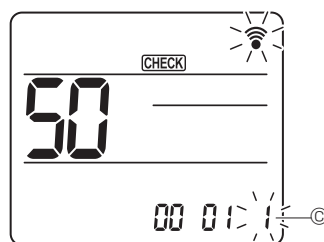


Fig. 7-19

### 7.4. Réglages des fonctions

#### 7.4.1. À l'aide de la télécommande filaire

① (Fig. 7-11)

- Sélectionnez "Service" dans le menu général, puis appuyez sur la touche [CHOIX].
- Sélectionnez "Réglage des fonctions" à l'aide de la touche [F1] ou [F2], puis appuyez sur la touche [CHOIX].

② (Fig. 7-12)

- Réglez les adresses de réfrigérant des appareils intérieurs et le nombre d'unités à l'aide des touches [F1] à [F4], puis appuyez sur la touche [CHOIX] pour valider le réglage actuel.

#### <Contrôle du No. Unité intérieure>

Une pression sur le bouton [CHOIX] démarre le ventilateur de l'unité intérieure. Si l'unité est commune, ou lorsque toutes les unités tournent, les ventilateurs de toutes les unités intérieures correspondant à l'adresse de réfrigérant démarrent.

③ (Fig. 7-13)

- Une fois la collecte de données terminée depuis les appareils intérieurs, les réglages actuels apparaissent en surbrillance. Les éléments qui ne sont pas en surbrillance indiquent qu'aucune fonction n'est réglée. L'aspect de l'écran varie en fonction du réglage "Unit No." (N° unité).

④ (Fig. 7-14)

- Utilisez la touche [F1] ou [F2] pour déplacer le curseur pour sélectionner la valeur du mode, puis modifiez le numéro du réglage à l'aide de la touche [F3] ou [F4].

⑤ (Fig. 7-15)

- Une fois les réglages terminés, appuyez sur la touche [CHOIX] pour transmettre les données de réglage de la télécommande aux appareils intérieurs.
- Une fois la transmission terminée, l'écran Réglage des fonctions réapparaît.

#### 7.4.2. À l'aide de la télécommande sans fil (Fig. 7-16, Fig. 7-17, Fig. 7-18, Fig. 7-19)

① Accès au mode de sélection des fonctions

- Appuyez sur la touche [MENU] pendant 5 secondes. (Commencez cette opération lorsque l'affichage de la télécommande est éteint.) [CHECK] s'allume et "00" clignote. (Fig. 7-16)
- Appuyez sur la touche [DOWN] pour régler "50".

Pointez la télécommande sans fil vers le récepteur de l'appareil intérieur, puis appuyez sur la touche [SET].

② Réglage du numéro d'appareil

- Appuyez sur les touches [DOWN] pour régler le numéro d'appareil ①. (Fig. 7-17)

Pointez la télécommande sans fil vers le récepteur de l'appareil intérieur, puis appuyez sur la touche [SET].

③ Sélection d'un mode

- Appuyez sur les touches [DOWN] pour régler le numéro de mode ②. (Fig. 7-18)

Pointez la télécommande sans fil vers le récepteur de l'appareil intérieur, puis appuyez sur la touche [SET].

Numéro du réglage actuel :

- 1 = 1 bip (1 seconde)
- 2 = 2 bips (1 seconde chacun)
- 3 = 3 bips (1 seconde chacun)

④ Sélection du numéro de réglage

- Utilisez la touche [DOWN] pour changer le numéro de réglage ③. (Fig. 7-19)

Pointez la télécommande sans fil vers le récepteur de l'appareil intérieur, puis appuyez sur la touche [SET].

⑤ Pour sélectionner plusieurs fonctions à la suite

- Répétez les sélections ③ et ④ pour modifier les réglages de plusieurs fonctions à la suite.

⑥ Fin de la sélection de fonction

- Pointez la télécommande sans fil vers le capteur de l'appareil intérieur, puis appuyez sur la touche [OFF/ON].

#### Remarque :

Effectuez les réglages ci-dessus sur les appareils Mr. Slim si nécessaire.

- Le tableau 1 récapitule les options de réglage pour chaque numéro de mode.
- Notez bien les réglages pour toutes les fonctions si l'un des réglages initiaux a été modifié à la fin de la procédure d'installation.

## 7. Installations électriques

### Tableau des fonctions

Sélectionnez l'appareil n° 00 [tableau 1]

Mode	Réglages	N° de mode	N° de réglage	Réglage Initial	réglage
Restauration automatique après une coupure de courant	Non disponible	01	1		
	Disponible *1		2	O *2	
Détection de la température intérieure	Moyenne de fonctionnement de l'appareil intérieur	02	1	O	
	Réglée par la télécommande de l'appareil intérieur		2		
	Détecteur interne de la télécommande		3		

Sélectionnez les appareils n° 01 à 03 ou tous les appareils (AL [télécommande filaire]/07 [télécommande sans fil])

Mode	Réglages	N° de mode	N° de réglage	Réglage Initial	réglage
Signe du filtre	100 H	07	1		
	2500 H		2	O	
	Pas d'indicateur de signe du filtre		3		
Vitesse du ventilateur	Silencieux	08	1		
	Standard		2	O	
	Plafond haut		3		
Réglage des ailettes vers le haut/vers le bas	Aucun réglage	11	1		
	Réglage sans courant d'air (réglage d'angle des ailettes ①)		2		
	Réglage vers le bas (réglage d'angle des ailettes ②)		3	O	
Positionnement du capteur 3D i-see *3	Position ① (position du poinçon "□", page 36)	12	1		
	(Position ①)		2		
	Position ③ (position du poinçon "○", page 36)		3	O	
Vitesse du ventilateur lorsque le thermostat de chauffage est coupé (OFF)	Réglage de la vitesse du ventilateur	27	1	O	
	Arrêt		2		
	Très basse		3		

\*1 Lorsque l'alimentation électrique est rétablie, le climatiseur se met en marche après 3 minutes ou 1 minute (charnière sur appareil extérieur).

\*2 Le réglage initial qui suit une restauration automatique après une coupure de courant dépend de l'appareil extérieur raccordé.

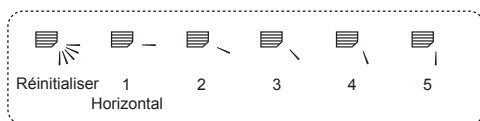
\*3 Lorsque la position du panneau d'angle du capteur 3D i-See est modifiée, changez ce mode. Voir page 36.

### 7.4.3. Réglage de la direction vers le haut/vers le bas

- Seule la sortie particulière peut être fixée dans une certaine direction via les procédures détaillées ci-après. Une fois cette opération effectuée, seule la sortie réglée est fixe à chaque activation du climatiseur. (Les autres sorties suivent le réglage de direction de l'air UP/DOWN [haut/bas] de la télécommande filaire.)

#### ■ Explication des termes

- "N° d'adresse de réfrigérant" et "N° d'appareil intérieur" sont les numéros attribués à chaque climatiseur.
- "N° de sortie" est le numéro attribué à chaque sortie du climatiseur. (Voir l'illustration à droite.)
- "Direction haute/basse du flux d'air" est la direction (l'angle) à définir.



#### Réglage de la télécommande

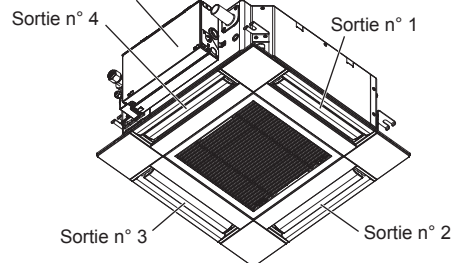
La direction du flux d'air de cette sortie est contrôlée par le réglage de direction du flux d'air de la télécommande.

#### Réglage fixe

La direction du flux d'air de cette sortie est fixée dans une direction particulière.

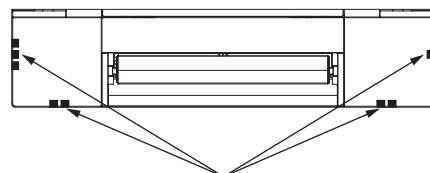
\* Lorsque le flux d'air direct provoque une sensation de froid, la direction de la sortie peut être fixée horizontalement pour éviter un flux d'air direct.

Boîtier des composants électriques



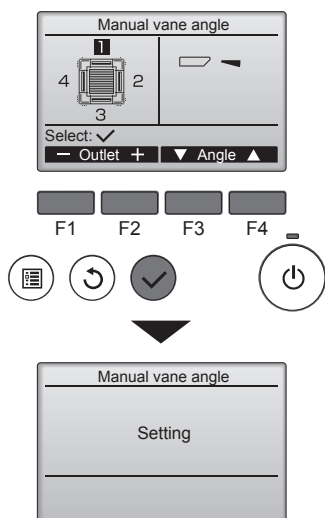
#### Remarque :

Le No. de sortie est indiqué par le nombre de rainures aux deux extrémités de chaque sortie d'air. Réglez la direction de l'air tout en vérifiant les informations indiquées sur l'affichage de la télécommande.



Marques d'identification de la sortie d'air

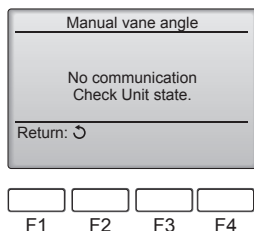
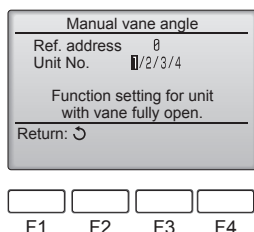
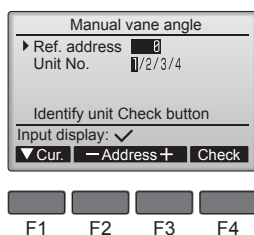
## 7. Installations électriques



Si toutes les sorties sont sélectionnées, sera affiché à la prochaine mise en route de l'appareil.

Navigation dans les écrans

- Pour revenir au Menu général..... Touche [MENU]
- Pour revenir à l'écran précédent..... Touche [RETOUR]



Le réglage d'ailette actuel s'affiche.

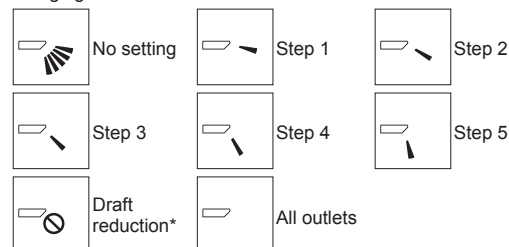
Sélectionnez les sorties désirées de 1 à 4 à l'aide du bouton [F1] ou [F2].

- Sortie : "1", "2", "3", "4" et "1, 2, 3, 4, (toutes les sorties)"

Appuyez sur la touche [F3] ou [F4] pour parcourir les options dans l'ordre suivant : "No setting (reset)" (Pas de réglage (réinitialisation)), "Step 1" (Étape 1), "Step 2" (Étape 2), "Step 3" (Étape 3), "Step 4" (Étape 4), "Step 5" (Étape 5) et "Draft reduction\*" (Réduction des courants d'air).

Choisissez le réglage désiré.

■ Réglage d'ailette



\* Draft reduction (Réduction des courants d'air)

Le sens du flux d'air pour ce réglage est plus horizontal que le sens du flux d'air de l'option "Step 1" (Étape 1) afin de réduire la sensation de courant d'air. La réduction de courant d'air ne peut être réglée que pour 1 ailette.

Appuyez sur la touche [CHOIX] pour enregistrer les paramètres.

Un écran s'affiche pour vous informer que les réglages sont en cours d'envoi.

Les changements seront effectués sur la sortie sélectionnée.

L'écran revient automatiquement à celui indiqué ci-dessus (étape 4) à la fin de la transmission.

Effectuez les réglages pour les autres sorties, selon la même procédure.

### Procédure de vérification

- ① Réglez d'abord "Ref. address" (Adresse réf.) sur 0 et "Unit No." (N° unité) sur 1.
  - Déplacez le curseur sur "Ref. address" (Adresse réf.) ou sur "Unit No." (N° Unité) avec la touche [F1] pour sélectionner.
  - Sélectionnez l'adresse du réfrigérant et le numéro d'unité avec la touche [F2] ou [F3] pour les unités dont les ailettes doivent être réglées, puis appuyez sur la touche [CHOIX].
  - Ref. address : Adresse du réfrigérant
  - Unit No. : 1, 2, 3, 4

Appuyez sur la touche [F4] pour confirmer l'unité.
- ② Changez le "Unit No." (N° Unité) dans l'ordre et vérifiez chaque unité.
  - Appuyez sur la touche [F1] pour sélectionner le "Unit No." (N° Unité).
  - Appuyez sur la touche [F2] ou [F3] pour sélectionner le "N° unité" correspondant à l'unité à contrôler puis appuyez sur la touche [F4].
  - Après avoir appuyé sur la touche [F4], attendez plus ou moins 15 secondes, puis vérifiez l'état actuel du climatiseur.
    - Le volet est orienté vers le bas. → Ce climatiseur est affiché sur la télécommande.
    - Toutes les sorties sont fermées. → Appuyez sur la touche [RETOUR] et poursuivez l'opération depuis le début.
    - Les messages indiqués à gauche sont affichés. → L'appareil cible n'existe pas à cette adresse du réfrigérant.
  - Appuyez sur la touche [RETOUR] pour revenir à l'écran initial.
- ③ Sélectionnez le numéro suivant de l'"Ref. address" (Adresse réf.).
  - Reportez-vous à l'étape ① pour changer l'"Ref. address" (Adresse réf.) et poursuivez la vérification.

## 8. Essai de fonctionnement

### 8.1. Avant l'essai de fonctionnement

- ▶ Lorsque l'installation, le tuyautage et le câblage des appareils intérieur et extérieur sont terminés, vérifiez l'absence de fuites de réfrigérant, la fixation des câbles d'alimentation et de commande, l'absence d'erreur de polarité et contrôlez qu'aucune phase de l'alimentation n'est déconnectée.
- ▶ Utilisez un mégohmmètre de 500 V pour vérifier que la résistance entre les bornes d'alimentation électrique et la terre est d'au moins 1,0 MΩ.

▶ N'effectuez pas ce test sur les bornes des câbles de commande (circuit à basse tension).

⚠ **Avertissement :**  
N'utilisez pas le climatiseur si la résistance de l'isolation est inférieure à 1,0 MΩ.

### 8.2. Essai de fonctionnement

#### 8.2.1. À l'aide de la télécommande filaire

- Lisez attentivement le manuel d'utilisation avant l'essai de fonctionnement. (En particulier les rubriques relatives à la sécurité)

##### Étape 1 Mettez sous tension.

- Télécommande : Le système se met en mode de démarrage et le témoin d'alimentation de la télécommande (vert) et le message "PLEASE WAIT" (Veuillez patienter) clignotent. Tant que la lampe et le message clignotent, la télécommande ne peut pas être utilisée. Attendez que le message "PLEASE WAIT" (Veuillez patienter) ne soit plus affiché avant d'utiliser la télécommande. Après la mise sous tension, le message "PLEASE WAIT" (Veuillez patienter) s'affiche pendant environ 2 minutes.
- Panneau du contrôleur intérieur : LED 1 est allumé, LED 2 est allumé (si l'adresse est 0) ou éteint (si l'adresse n'est pas 0) et LED 3 clignote.
- Panneau du contrôleur extérieur : LED 1 (vert) et LED 2 (rouge) sont allumés. (Une fois le démarrage du système terminé, LED 2 s'éteint.) Si le panneau du contrôleur extérieur dispose d'un affichage numérique, [-] et [+] s'affichent alternativement, à intervalle d'une seconde. Si le système ne fonctionne pas correctement après exécution des procédures de l'étape 2 et suivantes, les causes suivantes doivent être recherchées et corrigées en cas échéant.  
(Les symptômes ci-dessous se produisent en mode de test fonctions. "Startup" (Démarrage) dans le tableau se réfère à l'affichage LED mentionné plus haut.)

Symptômes en mode de test fonctions		
Affichage de la télécommande	Affichage LED PANNEAU EXTERIEUR < > indique affichage numérique.	Cause
La télécommande affiche "PLEASE WAIT" (Veuillez patienter) et est inutilisable.	Après affichage de "startup" (démarrage), seul le témoin vert s'allume. <00>	• Après mise sous tension, "PLEASE WAIT" (Veuillez patienter) est affiché pendant 2 minutes pendant le démarrage du système. (Normal)
Après mise sous tension, "PLEASE WAIT" (Veuillez patienter) est affiché pendant 3 minutes puis un code d'erreur s'affiche.	Après affichage de "startup" (démarrage), les témoins vert (une fois) et rouge (une fois) clignotent en alternance. <F1>	• Mauvaise connexion du bloc de sortie de l'appareil extérieur (R, S, T et S <sub>1</sub> , S <sub>2</sub> , S <sub>3</sub> .)
	Après affichage de "startup" (démarrage), les témoins vert (une fois) et rouge (deux fois) clignotent en alternance. <F3, F5, F9>	• Le connecteur du dispositif de protection de l'appareil extérieur est ouvert.
Rien ne s'affiche même lorsque la télécommande est activée. (Le témoin de fonctionnement ne s'allume pas.)	Après affichage de "startup" (démarrage), les témoins vert (deux fois) et rouge (une fois) clignotent en alternance. <EA, Eb>	• Câblage incorrect entre l'appareil intérieur et l'appareil extérieur (mauvaise polarité pour S <sub>1</sub> , S <sub>2</sub> , S <sub>3</sub> .) • Court-circuit du fil de transmission de la télécommande.
	Après affichage de "startup" (démarrage), seul le témoin vert s'allume. <00>	• Il n'y a pas d'appareil extérieur dont l'adresse est 0. (L'adresse est autre que 0.) • Circuit du fil de transmission de la télécommande ouvert.
L'affichage apparaît mais s'efface rapidement même lorsque la télécommande est utilisée.	Après affichage de "startup" (démarrage), seul le témoin vert s'allume. <00>	• Après utilisation de la fonction d'annulation, toute utilisation est impossible pendant environ 30 secondes. (Normal)

##### Étape 2 Placez la télécommande sur "Test run" (Test fonctions).

- ① Dans le Menu SAV, sélectionnez "Test run" (Test fonctions) puis appuyez sur la touche [CHOIX]. (Fig. 8-1)
- ② Dans le Menu essai de fonctionnement, sélectionnez "Test run" (Test fonctions) puis appuyez sur la touche [CHOIX]. (Fig. 8-2)
- ③ L'essai de fonctionnement démarre et l'écran Test fonctions s'affiche.

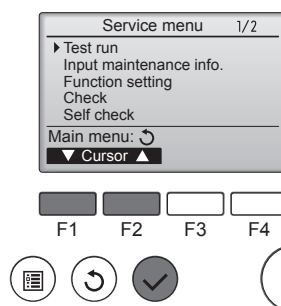


Fig. 8-1

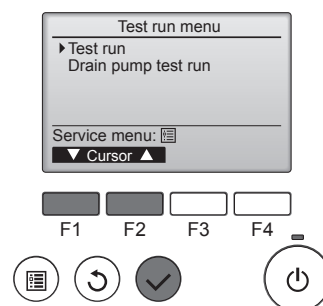


Fig. 8-2

##### Étape 3 Effectuez l'essai de fonctionnement et vérifiez la température du flux d'air et le mouvement automatique des ailettes.

- ① Appuyez sur la touche [F1] pour changer de mode de fonctionnement. (Fig. 8-3)  
Mode refroidissement : vérifiez si la soufflerie souffle de l'air froid.  
Mode chauffage : vérifiez si la soufflerie souffle de l'air chaud.
- ② Appuyez sur la touche [CHOIX] pour afficher l'écran de fonctionnement des ailettes, puis appuyez sur les touches [F1] et [F2] pour contrôler le mouvement automatique des ailettes. (Fig. 8-4)  
Appuyez sur la touche [RETOUR] pour revenir à l'écran Test fonctions.  
Si les ailettes ne bougent pas, vérifiez le raccordement des connecteurs des fils de jonction et la correspondance des couleurs.

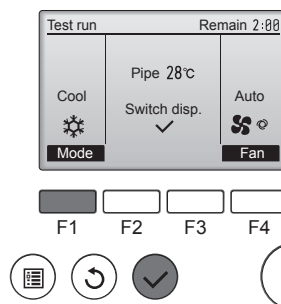


Fig. 8-3

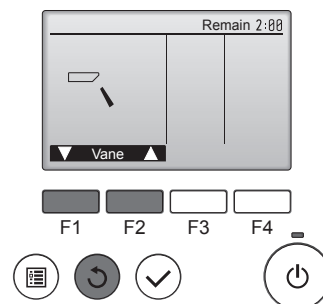


Fig. 8-4

##### Étape 4 Vérifiez le fonctionnement du ventilateur de l'appareil extérieur.

La vitesse du ventilateur de l'appareil extérieur est commandée de manière à contrôler les performances de l'appareil. En fonction de la température de l'air ambiant, le ventilateur tournera à faible vitesse et continuera à tourner à cette vitesse à moins que les performances ne soient insuffisantes. Par conséquent, le vent extérieur peut provoquer l'arrêt du ventilateur, ou sa rotation en sens inverse, mais ceci ne constitue pas un problème.



## 8. Essai de fonctionnement

### Étape 5 Arrêtez l'essai de fonctionnement.

① Appuyez sur la touche ON/OFF (MARCHE/ARRÊT) pour terminer l'essai de fonctionnement. (Le Menu test de fonctionnement s'affiche.)

Remarque : si une erreur s'affiche sur la télécommande, voir le tableau ci-dessous.

[Schéma de sortie A] Erreurs détectées par l'appareil intérieur

Télécommande sans fil	Télécommande filaire	Symptôme	Remarque
Émission de bips/clignotements du OPERATION INDICATOR (témoin de fonctionnement) (Nombre de fois)	Code de vérification		
1	P1	Erreur du capteur d'admission	
2	P2	Erreur du capteur sur tuyaux (TH2)	
	P9	Erreur du capteur sur tuyaux (TH5)	
3	E6, E7	Erreur de communication entre les appareils intérieur et extérieur	
4	P4	Erreur du capteur d'écoulement/connecteur de l'interrupteur à flotteur déconnecté	
5	P5	Erreur de la pompe d'écoulement	
	PA	Erreur du compresseur à circulation forcée	
6	P6	Protection contre le gel/la surchauffe activée	
7	EE	Erreur de communication entre l'appareil intérieur et l'appareil extérieur	
8	P8	Erreur de température des tuyaux	
9	E4	Erreur de réception du signal de la télécommande	
10	—	—	
11	PB (Pb)	Erreur du moteur de l'appareil intérieur	
12	FB (Fb)	Erreur du système de contrôle de l'appareil intérieur (erreur de mémoire, etc.)	
14	PL	Circuit de réfrigérant anormal	
Aucun son	E0, E3	Erreur de transmission de la télécommande	
Aucun son	E1, E2	Erreur du panneau de contrôle de la télécommande	
Aucun son	— — — —	Aucune correspondance	

[Schéma de sortie B] Erreurs détectées par un appareil autre qu'un appareil intérieur (appareil extérieur, etc.)

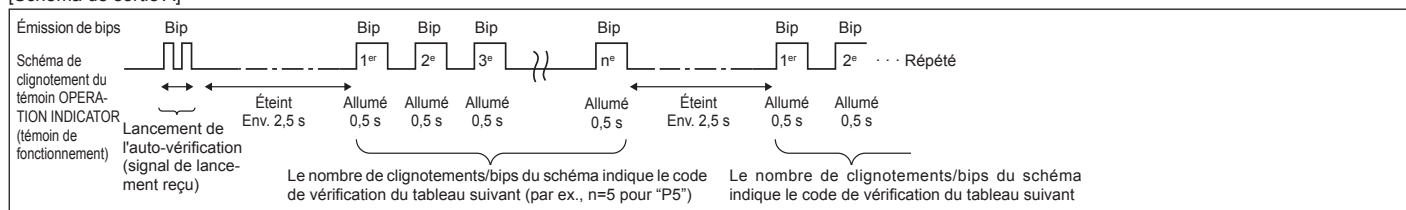
Télécommande sans fil	Télécommande filaire	Symptôme	Remarque
Émission de bips/clignotements du OPERATION INDICATOR (témoin de fonctionnement) (Nombre de fois)	Code de vérification		
1	E9	Erreur de communication entre les appareils intérieur et extérieur (erreur de transmission) (appareil extérieur)	Pour les détails, vérifiez l'affichage LED du panneau du contrôleur extérieur.
2	UP	Interruption due à la surintensité du compresseur	
3	U3, U4	Circuit ouvert/court-circuit des thermistances de l'appareil extérieur	
14	PL ou autres	Anomalie du circuit de réfrigérant ou autres erreurs	

\*1 Si l'émetteur de bips ne sonne plus suite aux 2 bips initiaux pour confirmer que le signal de lancement de la vérification automatique a été reçu et si le témoin OPERATION INDICATOR (témoin de fonctionnement) ne s'allume pas, ceci signifie qu'aucune erreur n'a été enregistrée.

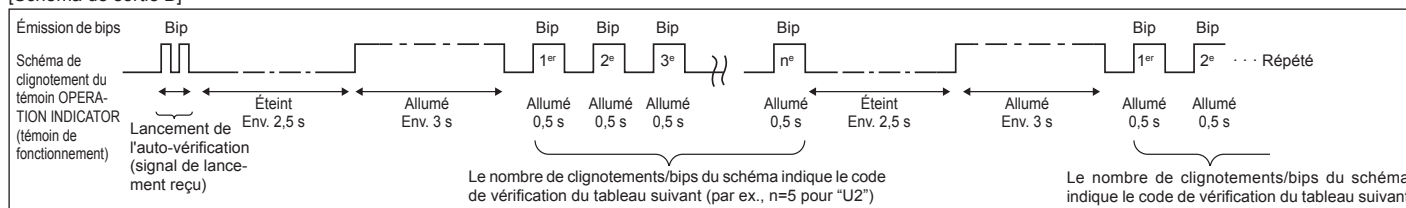
\*2 Si l'émetteur de bips sonne 3 fois de suite "bip, bip, bip (0,4 + 0,4 + 0,4 s)", après les 2 bips initiaux pour confirmer que le signal de lancement de la vérification automatique a été reçu, ceci signifie que l'adresse du réfrigérant spécifié est incorrecte.

- Sur la télécommande sans fil  
La sonnerie continue est déclenchée dans la section de réception de l'appareil intérieur.  
Clignotement du témoin de fonctionnement
- Sur la télécommande filaire  
Code de vérification affiché à l'écran LCD.
- Consultez les tableaux suivants pour obtenir de plus amples informations sur les codes de vérification. (Télécommande sans fil)

[Schéma de sortie A]



[Schéma de sortie B]



Voir le tableau ci-dessous pour les détails de l'affichage LED (LED 1, 2 et 3) du panneau du contrôleur intérieur.

LED1 (alimentation du micro-ordinateur)	Indique si l'alimentation est fournie au contrôleur. Ce témoin doit toujours être allumé.
LED2 (alimentation de la télécommande)	Indique si l'alimentation est fournie à la télécommande filaire. Ce témoin s'allume uniquement pour l'appareil intérieur raccordé à l'appareil extérieur dont l'adresse est 0.
LED3 (communication entre les appareils intérieur et extérieur)	Indique si les appareils intérieur et extérieur communiquent. Ce témoin doit toujours clignoter.

Remarque :

Si l'appareil fonctionne de manière continue pendant une marche d'essai, il s'arrête après 2 heures.

## 8. Essai de fonctionnement

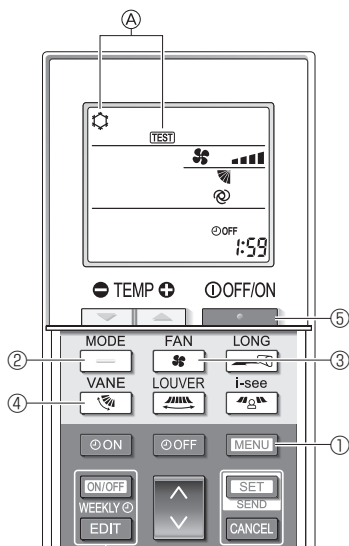
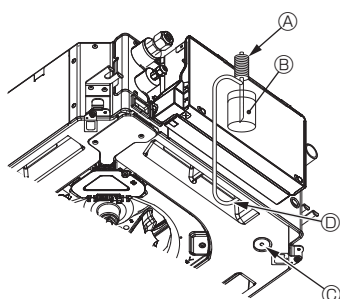


Fig. 8-5



- Ⓐ Pompe d'alimentation en eau
- Ⓑ Eau (environ 1000 cm<sup>3</sup>)
- Ⓒ Bouchon de vidange
- Ⓓ Versez l'eau par l'ouverture
  - Veillez à ne pas éclabousser d'eau dans le mécanisme de la pompe d'écoulement.

Fig. 8-6

### 8.2. Utilisation de la télécommande sans fil

1. Mettez l'appareil sous tension au moins 12 heures avant l'essai de fonctionnement.
2. Appuyez sur la touche **MENU** ① pendant 5 secondes. (Fig. 8-5)  
(Effectuez cette opération lorsque l'affichage de la télécommande est éteint.)
3. Appuyez sur la touche **MENU** ①.  
La mention Ⓐ [TEST] et le mode de fonctionnement en cours sont affichés. (Fig. 8-5)
4. Appuyez sur la touche **—** ② pour activer le mode refroidissement, puis vérifiez que de l'air froid est soufflé par l'appareil.
5. Appuyez sur la touche **—** ② pour activer le mode chauffage, puis vérifiez que de l'air chaud est soufflé par l'appareil.
6. Appuyez sur la touche **—** ③ et vérifiez que la vitesse du ventilateur change.
7. Appuyez sur la touche **—** ④ et vérifiez que l'aillette automatique fonctionne correctement.
8. Appuyez sur la touche **—** ⑤ pour terminer l'essai de fonctionnement.  
(Après deux heures, un signal sera émis pour arrêter l'essai de fonctionnement.)

#### Remarque :

- Dirigez la télécommande vers le récepteur de l'appareil intérieur pendant que vous effectuez les étapes 3 à 8.
- Il n'est pas possible de réaliser l'essai de fonctionnement en mode FAN, DRY ou AUTO (VENTILATEUR, SEC ou AUTO).

### 8.3. Auto-vérification

- Pour en savoir plus, consultez le manuel d'installation fourni avec chaque télécommande.

### 8.4. Vérification de l'écoulement (Fig. 8-6)

- Vérifiez l'écoulement correct de l'eau et la bonne étanchéité des joints.

#### Si l'installation électrique est terminée.

- Versez de l'eau pendant le fonctionnement de la climatisation et vérifiez.

#### Si l'installation électrique n'est pas terminée.

- Versez de l'eau pendant le fonctionnement en urgence et vérifiez.

\* La pompe d'écoulement et le ventilateur sont activés simultanément lorsque les bornes S1 et S2 sont activées avec un courant monophasé de 230 V après le réglage sur ON du connecteur (SWE) sur la carte de commande du boîtier des composants électriques.

Veillez à rétablir l'état précédent à la fin des travaux.

## 9. Commande du système

Consultez le manuel d'installation de l'appareil extérieur.

## 10. Installation de la grille

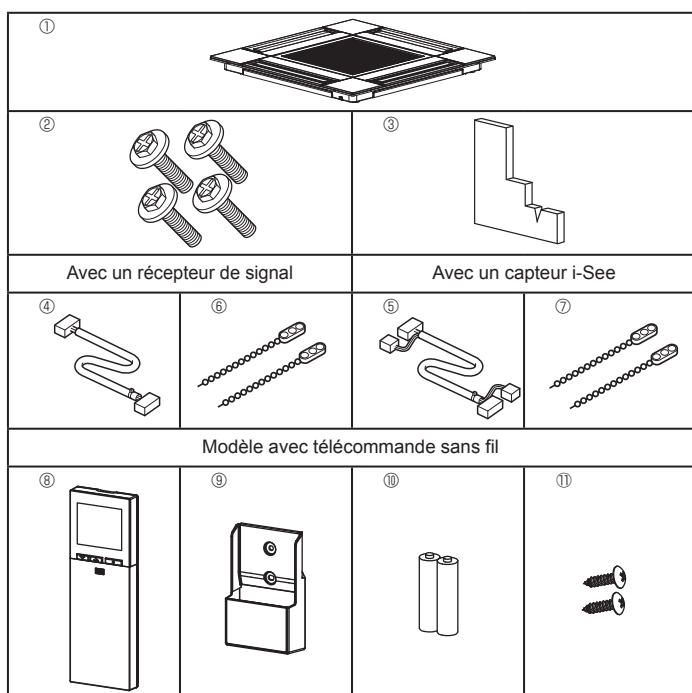


Fig. 10-1

### 10.1. Vérifiez la présence des accessoires de la grille (Fig. 10-1)

- La grille doit être accompagnée des accessoires suivants.

	Nom de l'accessoire	Qté	Remarque
①	Grille	1	625 × 625 (mm), 24-19/32 × 24-19/32 (pouces)
②	Vis avec rondelle	4	M5 × 0,8 × 25 (mm)
③	Jauge	1	
④	Fil de jonction pour le récepteur de signal	1	Fourni avec le récepteur de signal.
⑤	Fil de jonction pour le capteur i-See	1	Fourni avec le capteur i-See.
⑥	Fixation	2	Fourni avec le récepteur de signal.
⑦	Fixation	2	Fourni avec le capteur i-See.
⑧	Télécommande sans fil	1	Fournie s'il s'agit d'un modèle avec télécommande sans fil.
⑨	Support de la télécommande	1	Fournie s'il s'agit d'un modèle avec télécommande sans fil.
⑩	Piles LR6 AA	2	Fournie s'il s'agit d'un modèle avec télécommande sans fil.
⑪	Vis autotaraudeuses 3,5 × 16 mm	2	Fournie s'il s'agit d'un modèle avec télécommande sans fil.

## 10. Installation de la grille

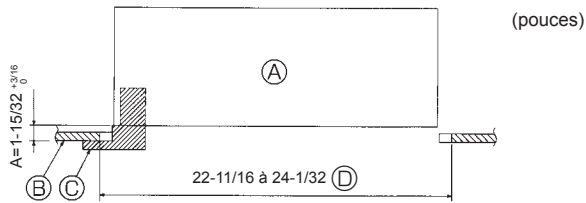


Fig. 10-2

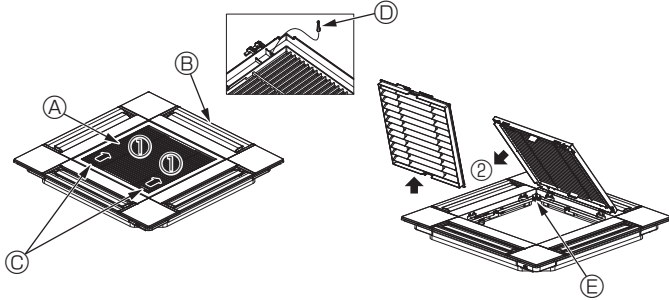


Fig. 10-3

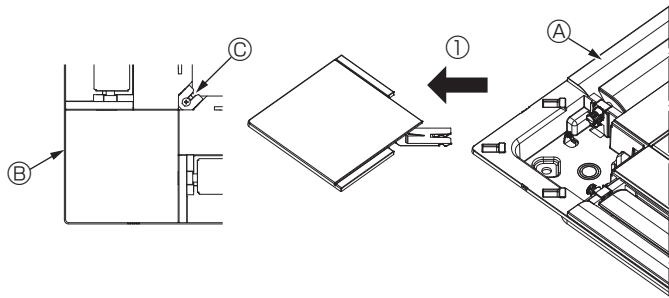
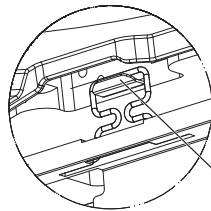
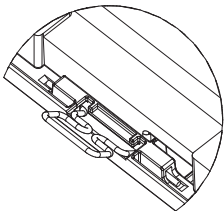


Fig. 10-4

<Crochet en position relevée>

<Crochet de grille>



Crochet de l'appareil principal

Fig. 10-5

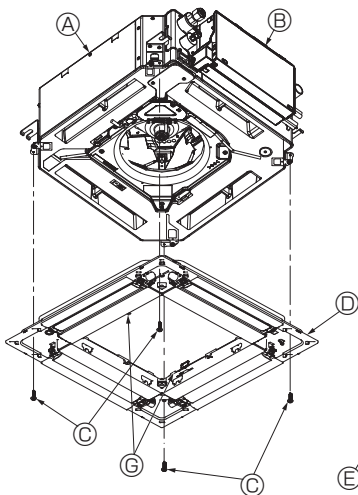


Fig. 10-6

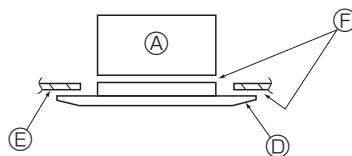


Fig. 10-7

### 10.2. Préparatifs préalables à la fixation de la grille (Fig. 10-2)

- À l'aide de la jauge fournie avec ce kit, ajustez et vérifiez la position de l'appareil par rapport au plafond. Si l'appareil n'est pas positionné correctement au plafond, des problèmes tels que des fuites d'air, de la condensation ou un mauvais fonctionnement des ailettes, pourraient se produire.
  - Veillez à ce que l'ouverture dans le plafond respecte la plage de dimension suivante : 576 × 576 à 610 × 610 (mm), 22-11/16 × 22-11/16 à 24-1/32 × 24-1/32 (pouces)
  - Assurez-vous que le point A s'effectue dans une fourchette allant de 37 à 42 mm (1-15/32 à 1-21/32 pouces). Le non respect de cette marge pourrait être à l'origine de certains dégâts.
- Ⓐ Appareil principal  
 Ⓑ Plafond  
 Ⓒ Jauge (Accessoire)  
 Ⓓ Dimensions de l'ouverture dans le plafond

#### 10.2.1. Dépose de la grille d'admission (Fig. 10-3)

- Pour ouvrir la grille d'admission, faites glisser les leviers dans le sens indiqué par la flèche ①.
  - Détachez le crochet qui sert à fixer la grille.  
\* Ne détachez pas le crochet de la grille d'admission.
  - Lorsque la grille se trouve en position "ouverte", retirez la charnière de la grille d'admission dans le sens indiqué par la flèche ②.
- Ⓐ Grille d'admission  
 Ⓑ Grille  
 Ⓒ Leviers de la grille d'admission  
 Ⓓ Crochet de grille  
 Ⓔ Orifice pour crochet de grille

#### 10.2.2. Dépose du panneau d'angle (Fig. 10-4)

- Desserrez la vis au coin du panneau d'angle. Pour retirer le panneau, faites-le glisser dans le sens indiqué par la flèche ①.
- Ⓐ Grille  
 Ⓑ Panneau d'angle  
 Ⓒ Vis

### 10.3. Installation de la grille

- Veillez prêter attention au fait qu'il existe une restriction concernant la position de fixation de la grille.
- #### 10.3.1. Installation temporaire de la grille
- Alignez les trous de vis dans les coins de la grille avec les orifices de montage dans les coins de l'appareil principal, attachez les deux crochets de la grille sur les saillies du bac de récupération de l'appareil principal, et suspendez temporairement la grille. (Fig. 10-5)

#### ⚠ Attention :

Lors de l'installation du capteur i-See et du récepteur de signal, placez les fils de jonction dans la boîte de raccordement avant de suspendre la grille de manière temporaire.

Consultez la section 7.2.1. en page 27 pour plus d'informations sur le passage des fils de jonction.

#### 10.3.2. Fixation de la grille

- Fixez la grille en serrant les quatre vis. (Fig. 10-6)
- \* Assurez-vous qu'il n'y a pas d'espace entre l'appareil principal et le panneau, et entre le panneau et le plafond. (Fig. 10-7)

- Ⓐ Appareil principal  
 Ⓑ Boîtier des composants électriques  
 Ⓒ Vis avec rondelle (Accessoire)  
 Ⓓ Grille  
 Ⓔ Plafond  
 Ⓕ Vérifiez qu'il n'y a pas d'espace.  
 Ⓖ Crochets de suspension temporaires sur le panneau

#### ⚠ Attention :

- Lorsque vous serrez la vis avec la rondelle captive Ⓒ, serrez-la à un couple de 4,8 N•m (4 ft•lbs) ou moins. N'utilisez jamais de tournevis à frapper. Cela pourrait endommager les pièces.
- Après avoir serré la vis, vérifiez que les deux crochets de la grille (Fig. 10-5) sont en prise avec les crochets de l'appareil principal.

## 10. Installation de la grille

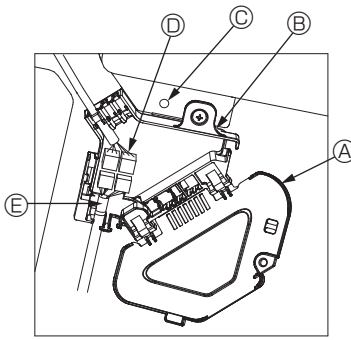


Fig. 10-8

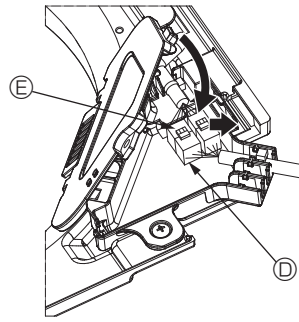


Fig. 10-9

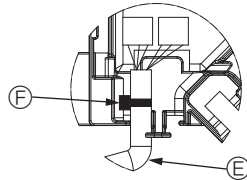


Fig. 10-10

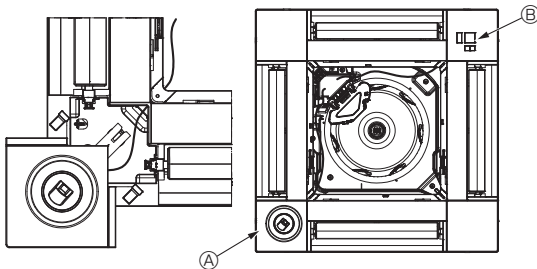


Fig. 10-11

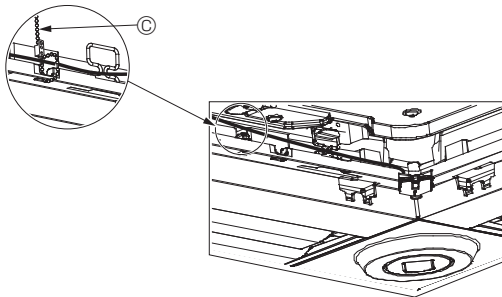


Fig. 10-12

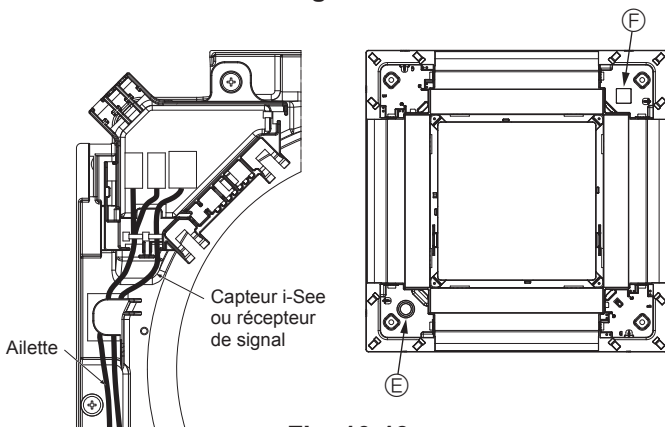


Fig. 10-13

### 10.3.3. Connexion des fils

- ① Retirez la vis de fixation du couvercle de la boîte de raccordement, puis ouvrez le couvercle.
- ② Branchez correctement le connecteur du fil de jonction du moteur des ailettes et le connecteur du fil du moteur des ailettes du panneau dans la boîte de raccordement. (Fig. 10-8)  
Il existe deux connecteurs de moteur d'ailette : un connecteur bleu et un connecteur orange. Veillez à faire correspondre les couleurs des connecteurs lorsque vous effectuez les raccordements.
- ③ Refermez le couvercle de la boîte de raccordement.  
Pour refermer le couvercle de la boîte de raccordement, faites glisser le couvercle dans le sens de la flèche et veillez à bien insérer la partie saillante. (Fig. 10-9)

- Ⓐ Couvercle de la boîte de raccordement
- Ⓑ Boîte de raccordement
- Ⓒ Vis de fixation
- Ⓓ Domino de raccordement
- Ⓔ Connecteur de fil du moteur d'ailette
- Ⓕ Ruban

#### ⚠ Attention :

- Placez le ruban de protection du moteur d'ailette du panneau dans la boîte de raccordement, comme indiqué sur le schéma. (Fig. 10-10)
- Lors de la fermeture du couvercle de la boîte de raccordement, veillez à ne pas pincer les fils.

### 10.3.4. Câblage du capteur i-See et du récepteur de signal

- Installez le capteur i-See et le récepteur de signal aux coins du panneau, dans les emplacements repérés par "○" ou "□". (Les positions peuvent être inversées.)
- Faites passer les fils du capteur i-See et du récepteur de signal dans les trous carrés aux coins du panneau, et installez-les.
- Raccordez le connecteur du fil de jonction et les connecteurs des fils du capteur i-See et du récepteur de signal dans la boîte de raccordement.
- Refermez le couvercle de la boîte de raccordement.
- Fixez les fils du capteur i-See et du récepteur de signal au panneau à l'aide des fixations, comme indiqué sur le schéma, de sorte qu'il n'y ait pas de mou au niveau des fils, puis coupez le fil qui dépasse aux extrémités de la fixation. (Fig. 10-12)
- Placez les fils du capteur i-See et du récepteur de signal à l'intérieur de l'évasement sur le panneau.
- Si la position du capteur i-See a été permutée de la position "○" (E) à la position "□" (F), changez le réglage des fonctions. (Voir page 30.)

#### ⚠ Attention :

- Faites passer les fils du capteur i-See et du récepteur de signal comme illustré dans la Fig. 10-13.
- Placez les excès de fils de jonction du capteur i-See et du récepteur de signal dans le boîtier des composants électriques dans le crochet pour fils, comme indiqué sur le schéma, et groupez les fils à l'aide de la fixation. (Fig. 10-14) Veillez à ce que le ruban qui maintient les fils de jonction du capteur i-See et du récepteur de signal soit bien positionné à l'intérieur de la boîte de raccordement. (Fig. 10-15)
- Si les connecteurs du moteur d'ailette et/ou le connecteur du récepteur de signal ne sont pas connectés correctement, les ailettes ne pourront pas bouger et/ou la communication avec la télécommande sera impossible.

- Ⓐ Capteur i-See
- Ⓑ Récepteur de signal
- Ⓒ Fixation
- Ⓓ Crochet pour fils
- Ⓔ Position "○" : position par défaut du capteur i-See
- Ⓕ Position "□" : position du récepteur de signal par défaut

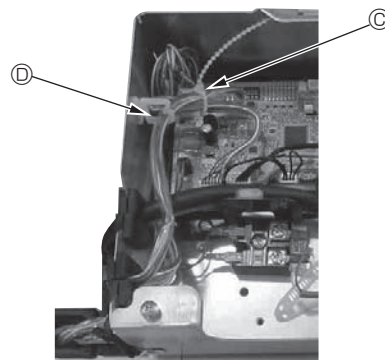


Fig. 10-14

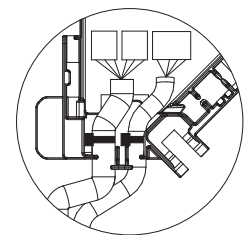
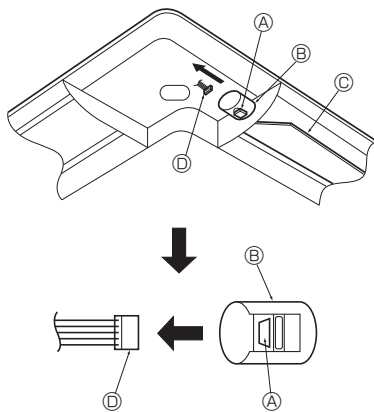


Fig. 10-15

## 10. Installation de la grille



- Ⓐ Bouton
- Ⓑ Moteur d'ailette
- Ⓒ Ailettes haut/bas
- Ⓓ Connecteur

Fig. 10-16

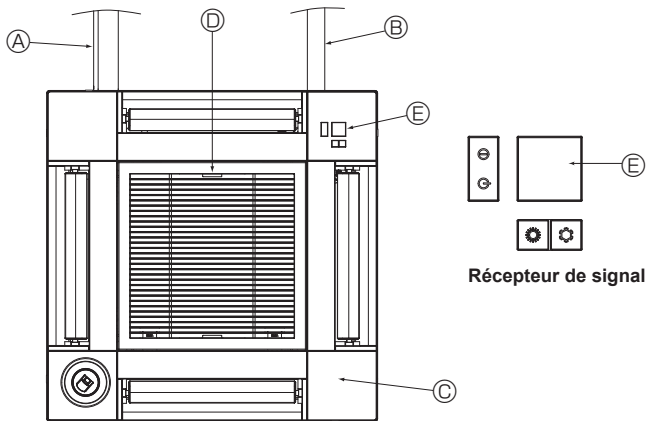


Fig. 10-17

### 10.4. Verrouillage de la direction haut/bas du flux d'air (Fig. 10-16)

Les ailettes de l'appareil peuvent être verrouillées en position haute ou basse, selon l'environnement d'utilisation.

- Réglez en fonction des préférences de l'utilisateur.

Le réglage du verrouillage vers le haut/bas des ailettes ainsi que toutes les commandes automatiques ne sont pas disponibles via la télécommande. En outre, la position réelle des ailettes peut différer de la position indiquée sur la télécommande.

- ① Coupez l'interrupteur d'alimentation principal.

Des blessures et/ou des chocs électriques peuvent se produire lorsque le ventilateur de l'appareil est en rotation.

- ② Débranchez le connecteur du moteur d'ailette du ventilateur que vous souhaitez verrouiller.

(Tout en appuyant sur le bouton, retirez le connecteur dans le sens de la flèche comme indiqué sur le schéma.) Lorsque le connecteur est déposé, isolez-le avec du ruban isolant.

### 10.5. Installation de la grille d'aspiration (Fig. 10-17)

- Suivez la procédure décrite à la section "10.2. Préparatifs préalables à la fixation de la grille" dans l'ordre inverse pour installer la grille d'aspiration et le panneau d'angle.

- Ⓐ Tuyau de réfrigérant de l'appareil principal
- Ⓑ Tuyau d'écoulement de l'appareil principal

- Ⓒ Panneau d'angle

- Ⓓ Position initiale des leviers de la grille d'aspiration à la sortie d'usine.

\* Les agrafes peuvent néanmoins être installées dans n'importe laquelle des quatre positions.

- Ⓔ Récepteur

### 10.6. Contrôle

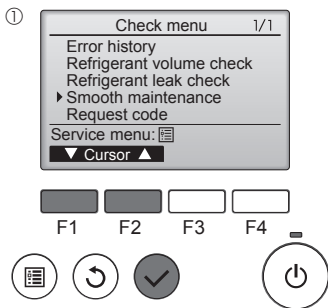
- Veillez à ce qu'il n'y ait pas d'espace entre l'appareil et la grille, ou entre la grille et la surface du plafond. S'il existe un espace entre l'appareil et la grille ou entre la grille et la surface du plafond, un problème d'accumulation de condensation pourrait se produire.
- Vérifiez que tous les fils ont été correctement connectés.
- Vérifiez que les quatre ailettes peuvent bouger. Si une ou plusieurs ailettes ne peuvent pas bouger, reportez-vous à la section 10.3. et vérifiez les connexions.
- Pour le panneau d'angle du capteur 3D i-See, vérifiez le mouvement de rotation. Si le capteur 3D i-See ne tourne pas, effectuez la procédure indiquée à la section "10.3. Installation de la grille".

## 11. Fonction Entretien facile

Les données de maintenance, telles que la température de l'échangeur thermique et le courant de fonctionnement du compresseur de l'appareil intérieur/extérieur, peuvent être affichées à l'aide de la fonction "Smooth maintenance" (Entretien facile).

\* Ceci ne peut pas être effectué en mode d'essai.

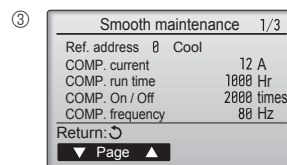
\* En fonction de la combinaison avec l'appareil extérieur, ceci peut ne pas être pris en charge par certains modèles.



- Sélectionnez "Service" dans le menu général, puis appuyez sur la touche [CHOIX].

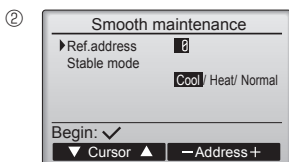
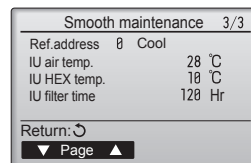
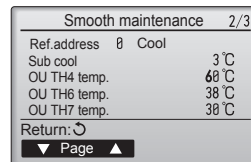
- Sélectionnez "Check" (Vérif.) à l'aide de la touche [F1] ou [F2] puis appuyez sur la touche [CHOIX].

- Sélectionnez "Smooth maintenance" (Entretien facile) à l'aide de la touche [F1] ou [F2] puis appuyez sur la touche [CHOIX].



Les données de fonctionnement apparaissent.

La durée cumulative de fonctionnement du compresseur (COMP. run) est exprimée en unités de 10 heures, et le nombre de cycles marche/arrêt (COMP. On/Off) en unités de 100 fois (sans fractions).



Sélectionnez chaque élément.

- Sélectionnez l'élément à modifier à l'aide de la touche [F1] ou [F2].

- Sélectionnez le réglage requis à l'aide de la touche [F3] ou [F4].

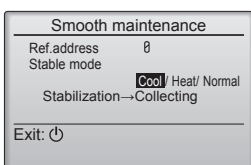
Réglage "Ref. address" (Adresse réf.)  
..... "0" - "15"

Réglage "Stable mode" (Mode stable)

..... "Cool" (Froid) / "Heat" (Chaud) / "Normal" (Normal)

- Appuyez sur la touche [CHOIX], le fonctionnement stable démarre.

\* Le "Stable mode" (Mode stable) prend environ 20 minutes.



#### Navigation dans les écrans

- Pour revenir au Menu général ..... Touche [MENU]
- Pour revenir à l'écran précédent ..... Touche [RETOUR]

# Contenido

1. Precauciones de seguridad .....	38	7. Trabajo eléctrico.....	44
2. Seleccionar el lugar de instalación .....	38	8. Prueba de funcionamiento .....	50
3. Diagrama de instalación .....	39	9. Control del sistema .....	52
4. Instalación de la unidad interior .....	39	10. Instalar la rejilla .....	52
5. Colocación de los tubos de refrigerante .....	41	11. Función de mantenimiento fácil .....	55
6. Colocación de los tubos de drenaje.....	43		

**Nota:**  
En este manual de instrucciones, la frase "Mando a distancia con cable" se refiere solo a PAR-33MAA. Si necesita más información acerca del otro mando a distancia, consulte el manual de instalación o el manual de puesta en marcha que se incluyen en dichas cajas.

## 1. Precauciones de seguridad

- Asegúrese de leer las "Precauciones de seguridad" antes de instalar el acondicionador de aire.
- Tome las precauciones indicadas en él, ya que se refieren a cuestiones de seguridad importantes.
- Éstas son las indicaciones y sus significados.

### ⚠ Atención:

Podría causar la muerte, lesiones graves, etc.

### ⚠ Precaución:

Podría causar lesiones graves en ciertos entornos si se manipula incorrectamente.

### ⚠ Atención:

- No lo instale usted mismo (cliente). Una instalación defectuosa podría conllevar lesiones a causa de incendios, descargas eléctricas, caída de la unidad o escapes de agua. Para hacer la instalación, consulte al concesionario en el que adquirió esta unidad o a un instalador profesional.
- Asegúrese de que el lugar de instalación puede soportar el peso de la unidad. Si se instala en un lugar que no tiene la firmeza suficiente, la unidad puede caerse y causar lesiones.
- Utilice los cables indicados para instalar de forma segura las unidades interior y exterior, y conecte bien los cables en las secciones de conexión de la placa de terminales de modo que no queden tensos en dichas secciones. Una conexión y fijación defectuosas podrían provocar un incendio.
- No emplee conexiones intermedias del cable de alimentación ni tampoco un cable de extensión; evite también conectar demasiados aparatos a una sola toma de CA. Esto podría provocar un incendio o una descarga eléctrica a causa de un contacto o un aislamiento defectuoso, un exceso de corriente, etc.
- Una vez acabada la instalación, compruebe que no haya fugas de gas refrigerante.
- Para efectuar una instalación segura, consulte el manual de instalación. Una instalación incompleta podría provocar lesiones a causa del fuego, una descarga eléctrica, la caída de la unidad o un escape de agua.
- Realice la instalación eléctrica siguiendo las instrucciones del manual de instalación y asegurándose de emplear un circuito exclusivo. Si el circuito de alimentación no tiene suficiente capacidad o la instalación eléctrica es insuficiente, podría producirse un incendio o una descarga eléctrica.
- El usuario nunca debe intentar reparar la unidad ni trasladarla a otra ubicación.

### ⚠ Precaución:

- Realice la toma de tierra. No conecte el cable de tierra a una tubería de gas, al pararrayos de una tubería de agua ni al cable de toma de tierra de un teléfono. Una conexión defectuosa podría provocar una descarga eléctrica.
- No instale la unidad en un lugar donde haya una fuga de gas inflamable. Si hay una fuga de gas y éste se acumula en la zona que rodea la unidad, podría producirse una explosión.
- Instale un disyuntor de fuga a tierra según la zona de instalación (si es húmeda). Si no se instala este disyuntor, podría producirse una descarga eléctrica.
- Para efectuar un drenaje y una instalación de tuberías seguros, siga las indicaciones del manual de instalación. Un drenaje o una instalación de tuberías defectuosos podría causar un escape de agua en la unidad que mojaría o estropearía los enseres del hogar.

## 2. Seleccionar el lugar de instalación

### 2.1. Unidad interior

- Donde no se obstaculice el flujo de aire.
- Donde el aire frío se pueda propagar por toda la habitación.
- Donde no esté expuesto a la luz solar directa.
- A una distancia mínima de 1 m (3 pies) del televisor y de la radio (para evitar que se distorsione la imagen o que se produzca ruido).

### 2.2. Montaje del mando a distancia inalámbrico (Para PAR-SF9FA-E\*)

- Lugar de montaje
  - Donde sea fácil de utilizar y de ver.
  - Donde los niños no puedan tocarlo.
- Montaje  
Seleccione una posición aproximadamente a 1,2 m (4 pies) sobre el suelo, compruebe que las señales del controlador remoto lleguen correctamente a la unidad interior desde esa posición (sonará un pitido de recepción "pii" o "pii-pii"). A continuación, instale el soporte del mando a distancia en un pilar o pared e instale el mando a distancia inalámbrico.

- Cuando haya acabado de leer el manual, no olvide dejarlo en casa del cliente junto al manual de instrucciones en un lugar fácilmente visible.

⚡ : Indica una pieza que debe estar conectada a tierra.

### ⚠ Atención:

Lea detenidamente las etiquetas adheridas a la unidad principal. Instale la unidad interior como mínimo 2,4 m (8 pies) por encima del nivel del suelo.

Para aparatos que no están disponibles para el público general.

- Instale el equipo de acuerdo con la normativa para instalaciones eléctricas de su país.
- Si el cable de alimentación está dañado, deberá ser sustituido por el fabricante, su agente de mantenimiento o personas igualmente cualificadas para evitar cualquier riesgo.
- Fije firmemente la cubierta de la instalación eléctrica a la unidad interior y el panel de servicio, a la unidad exterior. Si no se fija con firmeza la cubierta de la instalación eléctrica en la unidad interior ni se fija el panel de servicio en la unidad exterior, podría producirse un incendio o una descarga eléctrica a causa del polvo, el agua, etc.
- Asegúrese de utilizar las piezas suministradas o indicadas para efectuar la instalación. El empleo de piezas defectuosas podría provocar lesiones o escapes de agua a causa de un incendio, una descarga eléctrica, la caída de la unidad, etc.
- Ventile la habitación si hay fugas de refrigerante durante la operación. Si el refrigerante entra en contacto con una llama puede liberar gases tóxicos.
- Cuando instale o cambie de sitio el acondicionador de aire, o al realizar tareas de mantenimiento, utilice únicamente el refrigerante indicado (R410A) para cargar los tubos del refrigerante. No lo mezcle con ningún otro refrigerante y asegúrese de que no quede aire en las tuberías. Si se mezcla aire con el refrigerante, se podría producir una alta presión anómala en los tubos de refrigeración, que podría ocasionar una explosión u otros daños. El uso de un refrigerante distinto al especificado para el sistema ocasionará fallos mecánicos, un funcionamiento incorrecto del sistema o averías en la unidad. En el peor de los casos, esto podría llegar a ser un serio impedimento para garantizar el uso seguro del producto.

- Apriete la tuerca abocardada mediante una llave dinamométrica tal y como se especifica en el presente manual. Si la aprieta demasiado, la tuerca abocardada podría romperse transcurrido un tiempo, causando pérdidas de refrigerante.
- Si se utiliza la unidad durante muchas horas y el aire del techo se encuentra a una temperatura alta/presenta una humedad elevada (punto de rocío por encima de los 26 °C, 79 °F), puede formarse rocío en la unidad interior o en los materiales del techo. Si utiliza las unidades en estas condiciones, coloque material aislante (de 10 a 20 mm, de 13/32 a 15/32 de pulgadas) en toda la superficie de la unidad y en los materiales del techo para evitar la condensación.

- En un lugar lo más alejado posible de fluorescentes o de luces incandescentes (para que el controlador remoto por infrarrojos funcione con normalidad).
- Donde el filtro de aire se pueda extraer y reemplazar con facilidad.

### ⚠ Atención:

Instale la unidad interior en un techo suficientemente fuerte para soportar el peso de la unidad.

En habitaciones con fluorescentes de tipo inversor, puede que la señal del controlador remoto inalámbrico no se reciba.

## 3. Diagrama de instalación

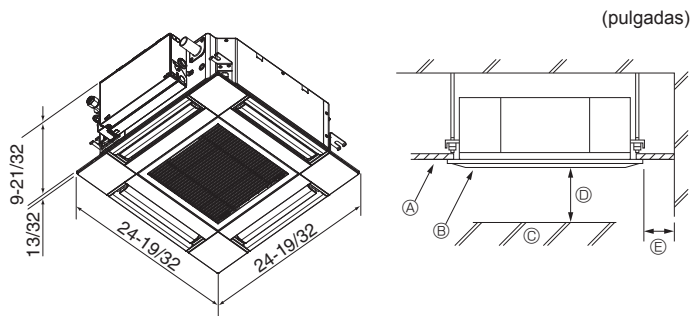


Fig. 3-1

### 3.1. Unidad interior (Fig. 3-1)

- Ⓐ Techo
- Ⓑ Rejilla
- Ⓒ Obstáculo
- Ⓓ Mín. 1000 mm (40 pulgadas)
- Ⓔ Mín. 500 mm (20 pulgadas) (toda la periferia)

Cuando configure el espacio de mantenimiento para Ⓔ, deje siempre un mínimo de 700 mm (28 pulgadas).

#### ⚠ Atención:

Instale la unidad interior en un techo suficientemente fuerte para soportar el peso de la unidad.

### 3.2. Unidad exterior

Consulte el manual de instalación de la unidad exterior.

## 4. Instalación de la unidad interior

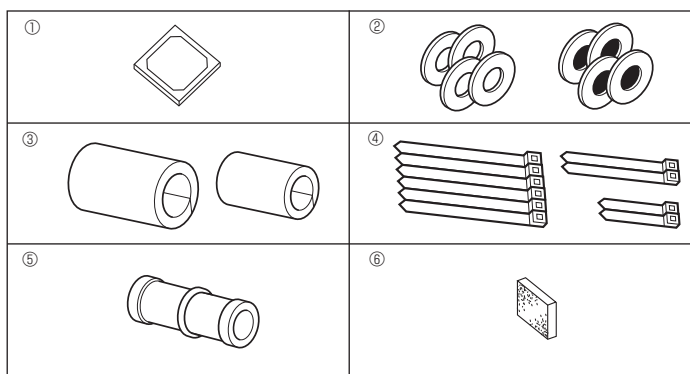


Fig. 4-1

### 4.1. Compruebe los accesorios de la unidad interior (Fig. 4-1)

La unidad interior debe incluir los siguientes accesorios.

	Nombre del accesorio	Cant.
①	Plantilla de instalación	1
②	Arandelas (con aislamiento)	4
	Arandelas (sin aislamiento)	4
③	Cubierta de la tubería (para la junta de las tuberías de refrigerante)	
	diámetro pequeño (líquido)	1
	diámetro grande (gas)	1
④	Abrazadera (grande)	6
	Abrazadera (media)	2
	Abrazadera (pequeña)	2
⑤	Tubo de desagüe	1
⑥	Aislamiento	1

### 4.2. Lugares de instalación de las aberturas en el techo y los tornillos de suspensión (Fig. 4-2)

#### ⚠ Precaución:

Instale la unidad interior como mínimo 2,4 m (8 pies) por encima del nivel del suelo.

Para aparatos que no están disponibles para el público general.

- Utilice la plantilla de instalación y el calibre (suministrado como accesorio con la rejilla) para realizar una abertura en el techo que le permita instalar la unidad principal tal y como se muestra en el diagrama. (Se muestra el método para utilizar la plantilla y el calibre).
  - \* Antes de su uso, compruebe las dimensiones de la plantilla y del calibre, ya que pueden cambiar debido a las fluctuaciones de temperatura y humedad.
  - \* Las dimensiones de la abertura en el techo pueden regularse dentro del rango que aparece en el siguiente diagrama; así pues, centre la unidad principal en la abertura asegurándose de que los respectivos lados opuestos queden a la misma distancia del borde de la abertura.
- Utilice tornillos de suspensión M10 (3/8").
  - \* Los tornillos de suspensión deben adquirirse in situ.
- Instale firmemente, comprobando que no quede espacio libre entre el panel del techo y la rejilla, y entre la unidad principal y la rejilla.

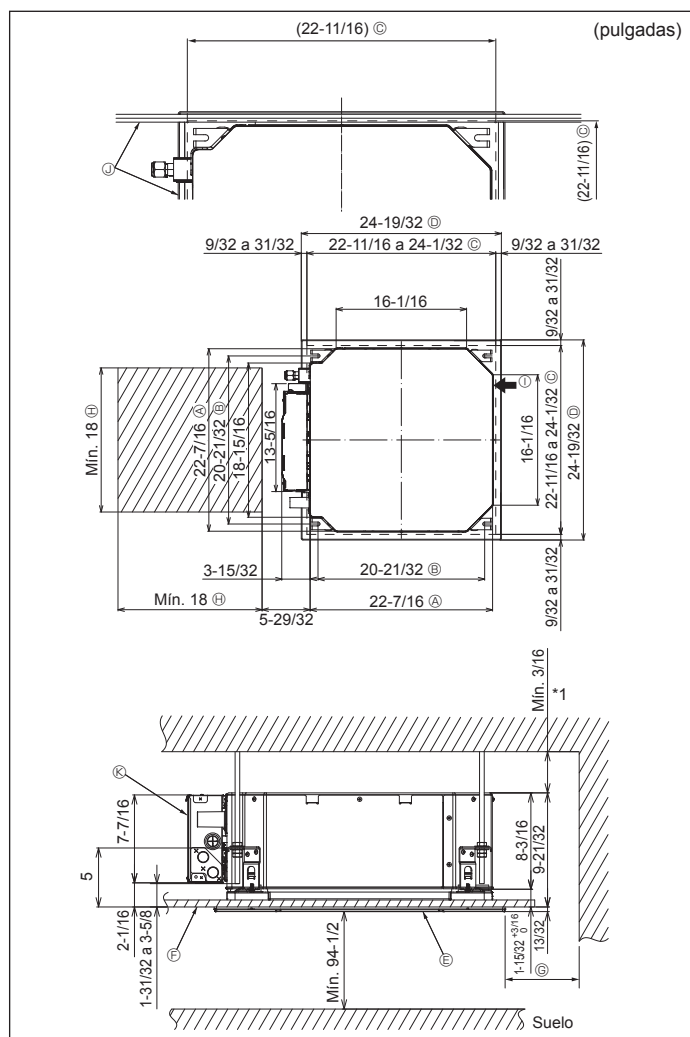


Fig. 4-2

- Ⓐ Lado exterior de la unidad principal
- Ⓑ Paso del tornillo
- Ⓒ Abertura en el techo
- Ⓓ Lado exterior de la rejilla
- Ⓔ Rejilla
- Ⓕ Techo
- Ⓖ Mín. 500 mm (20 pulgadas) (toda la periferia)
- Ⓗ Cuando establezca el espacio de mantenimiento para Ⓔ, deje siempre un mínimo de 700 mm (28 pulgadas).
- Ⓘ Espacio para mantenimiento
- Ⓛ Entrada de aire fresco
- Ⓜ Ángulo
- Ⓨ Caja de los componentes eléctricos

\* Deje el espacio de mantenimiento en el extremo de la caja de componentes eléctricos.

\*1 Si lo instala en una posición de la unidad de techo ya existente, o si desea aplicar un aislamiento térmico adicional, deje un espacio mínimo de 25 mm (1 pulgada).

## 4. Instalación de la unidad interior

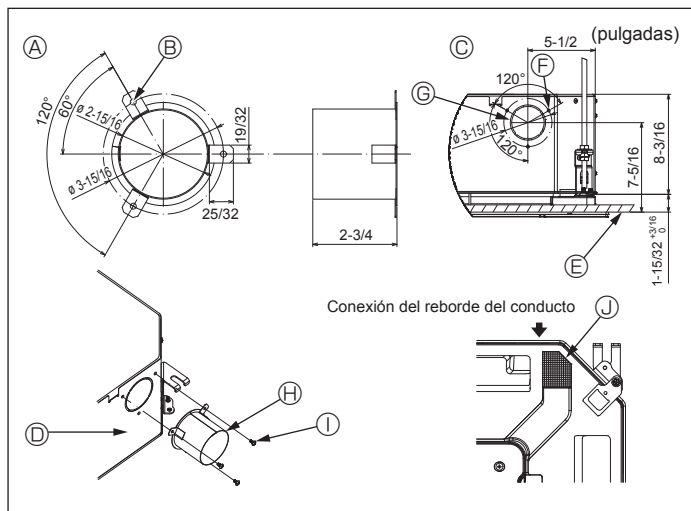


Fig. 4-3

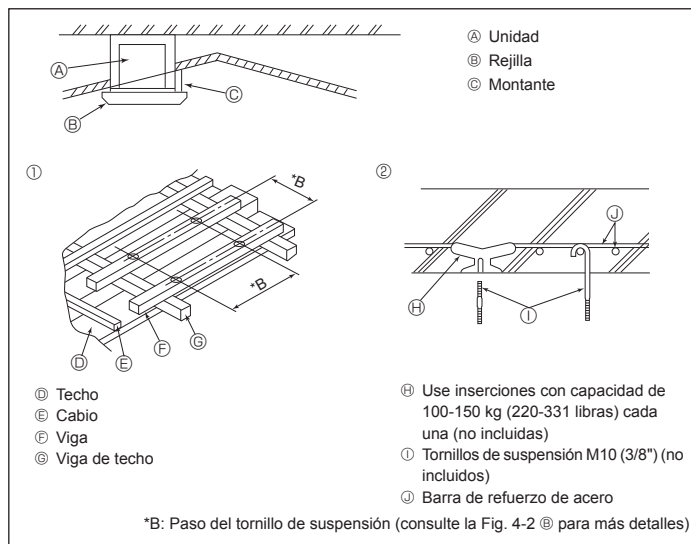


Fig. 4-4

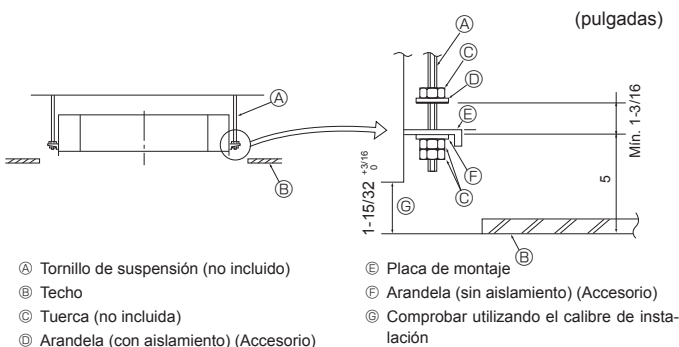


Fig. 4-5

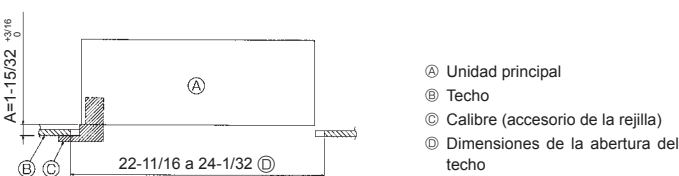


Fig. 4-6

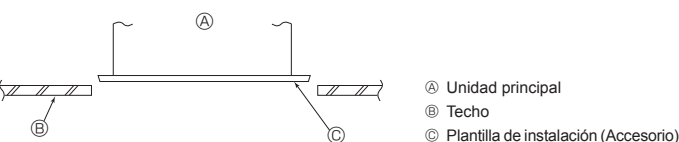


Fig. 4-7

### 4.3. Instalación del conducto (en el caso de entrada de aire fresco) (Fig. 4-3)

**⚠ Precaución:**  
**Unión del ventilador del conducto y del acondicionador de aire**  
**Si se utiliza un ventilador del conducto, asegúrese de unirlo al acondicionador de aire cuando se obtenga aire del exterior.**  
**No utilice únicamente el ventilador del conducto. Podrían producirse pérdidas.**

- Preparar el reborde del conducto (por parte del técnico)**
- Se recomienda la forma de reborde del conducto mostrada a la izquierda.
- Instalación del reborde del conducto**
- Corte el orificio de corte. No lo parta.
  - Instale el reborde del conducto en el orificio de corte de la unidad interior utilizando tres tornillos roscados de 4 × 10 mm, que debe preparar el técnico.
- Instalación del conducto (por parte del técnico)**
- Prepare un conducto cuyo diámetro interior encaje en el diámetro exterior del reborde del conducto.
  - En caso de que la zona situada encima del techo tenga una temperatura y una humedad muy altas, envuelva el conducto con un aislante térmico para evitar pérdidas en la pared.

#### Retire el aislante del depósito de drenaje.

- Ⓐ Forma recomendada del reborde del conducto
- Ⓑ Orificio de corte de  $\varnothing 73.4$  mm (2-7/8 pulgadas) (Grosor: 0.8 mm (1/32 pulgada) o superior)
- Ⓒ Orificio de 3- $\varnothing 5$  mm (3/16 pulgada)
- Ⓓ Vista detallada de la entrada de aire fresco
- Ⓔ Unidad interior
- Ⓕ Superficie del techo
- Ⓖ 3 orificios para tornillos roscados
- Ⓗ Orificio de corte de  $\varnothing 73.4$  mm (2-7/8 pulgadas)
- Ⓙ Reborde del conducto (por parte del técnico)
- Ⓚ Tornillo roscado de 4 × 10 mm (por parte del técnico)
- Ⓛ Aislamiento

### 4.4. Estructura de suspensión (refuerzo de la estructura de suspensión) (Fig. 4-4)

- Los trabajos en el techo diferirán según el tipo de construcción del edificio. Se deberá consultar a los constructores y decoradores de interiores.
- (1) Apertura del techo: El techo debe mantenerse totalmente horizontal y se reforzará la estructura del techo (marco: listones de madera y soportes de listones) para protegerlo de vibraciones.
  - (2) Corte y extraiga la estructura del techo.
  - (3) Refuerce los bordes de la estructura del techo en los puntos que han sido cortados, y añada elementos estructurales para asegurar los extremos del panel del techo.
  - (4) Al instalar la unidad en un techo inclinado, coloque un montante entre el techo y la rejilla y disponga la instalación de forma que la unidad quede horizontal.
- ① Estructuras de madera
- Use vigas-tirante (para casas de un solo piso) o vigas de doble piso (para casas de dos pisos) como refuerzo.
  - Las vigas de madera para acondicionadores de aire suspendidos deben ser resistentes y sus lados deben tener como mínimo 6 cm (2-3/8 pulgadas) de longitud si están separadas menos de 90 cm (36 pulgadas), y como mínimo 9 cm (3-9/16 pulgadas) de longitud si están separadas hasta 180 cm (71 pulgadas). El tamaño de los tornillos de suspensión debe ser de  $\varnothing 10$  (3/8"). (Los pernos no se entregan con la unidad).

- ② Estructuras de hormigón armado
- Asegure los tornillos de suspensión siguiendo el método ya descrito, o utilice colgadores de acero o madera, etc., para instalar los pernos de suspensión.

### 4.5. Procedimientos de suspensión de la unidad (Fig. 4-5)

- Suspenda la unidad principal de la forma mostrada en el diagrama.
1. En primer lugar, coloque las piezas en los tornillos de suspensión en el orden siguiente: arandelas (con aislamiento), arandelas (sin aislamiento) y tuercas (dobles).
    - Coloque la arandela con el acolchado de forma que el aislamiento quede cara abajo.
    - Si se utilizan arandelas superiores para suspender la unidad principal, las arandelas inferiores (con aislamiento) y las tuercas (dobles) deben colocarse más tarde.
  2. Levante la unidad hasta la altura adecuada de los tornillos de suspensión para insertar la placa de montaje entre las arandelas y luego apriétela firmemente.
  3. Si no puede alinear la unidad principal en el orificio de montaje del techo, se puede ajustar posteriormente gracias a la ranura de la placa de montaje. (Fig. 4-6)
    - Asegúrese de que el paso A se realiza en 37-42 mm (de 1-15/32 a 1-21/32 pulgadas). Si no se respeta este margen, podrían producirse graves daños.

### 4.6. Confirmar la posición de la unidad principal y apretar los tornillos de suspensión (Fig. 4-7)

- Compruebe, utilizando el calibre unido a la rejilla, que la parte inferior de la unidad principal esté correctamente alineada con la abertura del techo. Confírmelo, ya que en caso contrario se puede generar condensación y gotear debido a pérdidas de aire, etc.
- Confirme que la unidad principal está nivelada horizontalmente, utilizando un nivel o un tubo de vinilo relleno de agua.
- Una vez comprobada la posición de la unidad principal, apriete firmemente las tuercas de los tornillos de suspensión para fijar la unidad principal.
- La plantilla de instalación puede utilizarse como hoja de protección para evitar que entre polvo en la unidad principal cuando las rejillas no estén colocadas durante un tiempo o cuando deben alinearse los materiales del techo una vez finalizada la instalación de la unidad.

\* Para más detalles, consulte las instrucciones de la plantilla de instalación.



## 5. Colocación de los tubos de refrigerante

### 5.1. Precauciones

Para aparatos con refrigerante R410A

- Utilice aceite de alquilobenceno (en pequeñas cantidades) para recubrir las secciones abocardadas.
- Utilice tubos de cobre fosforoso del tipo C1220 y tubos de aleación de cobre sin costuras para conectar los tubos del refrigerante. Utilice tuberías para refrigerante del grosor especificado en la tabla siguiente. Asegúrese de que el interior de las tuberías está limpio y que no contienen ningún contaminante nocivo como compuestos sulfúricos, oxidantes, restos o polvo.

**⚠ Atención:**

Cuando instale o cambie de sitio el acondicionador de aire, o al realizar tareas de mantenimiento, utilice únicamente el refrigerante indicado en la unidad exterior para cargar los tubos del refrigerante. No lo mezcle con otro tipo de refrigerante y vacíe completamente de aire los tubos.

Si el aire se mezcla con el refrigerante, podría producir una tensión anormalmente alta en el tubo del refrigerante y ocasionar una explosión u otros peligros.

Usar un refrigerante distinto al indicado para el sistema provocará un fallo mecánico, un funcionamiento defectuoso del sistema o la avería de la unidad. En el peor de los casos, podría suponer un grave impedimento para garantizar la seguridad del producto.

### 5.2. Tubo de refrigerante (Fig. 5-1)

Preparación de las tuberías

(1) La tabla siguiente indica las especificaciones de las tuberías disponibles en el mercado.

Modelo	Tubería	Diámetro exterior		Grosor mín. de la pared	Grosor del aislamiento	Material aislante
		mm	pulg.			
SLZ-KF09 SLZ-KF12	Para líquido	6,35	1/4	0,8 mm (1/32 pulgada)	8 mm (10/32 pulgada)	Plástico de espuma termorresistente con un peso específico de 0,045
	Para gas	9,52	3/8	0,8 mm (1/32 pulgada)	8 mm (10/32 pulgada)	
SLZ-KF15 SLZ-KF18	Para líquido	6,35	1/4	0,8 mm (1/32 pulgada)	8 mm (10/32 pulgada)	
	Para gas	12,7	1/2	0,8 mm (1/32 pulgada)	8 mm (10/32 pulgada)	

(2) Asegúrese de que los 2 tubos de refrigerante estén bien aislados para evitar la condensación.

(3) El radio de curvatura del tubo de refrigerante debe ser de 100 mm (4 pulgadas) o más.

**⚠ Precaución:**

Asegúrese de utilizar el aislamiento del grosor especificado. Un grosor excesivo impide el almacenamiento detrás de la unidad interior y un menor grosor produce un goteo por condensación.

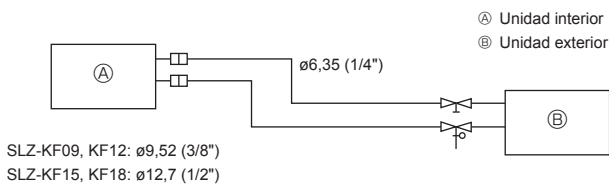


Fig. 5-1

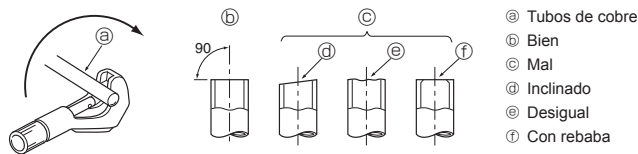


Fig. 5-2

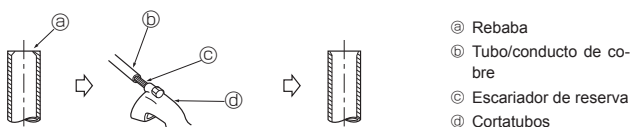


Fig. 5-3



Fig. 5-4

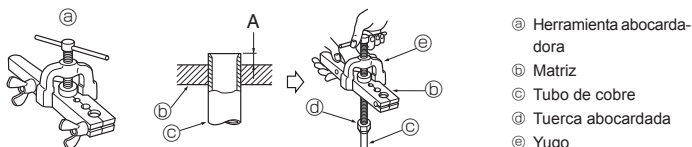


Fig. 5-5

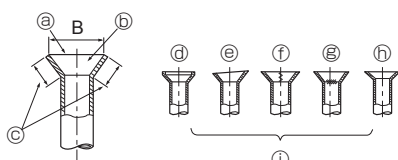


Fig. 5-6

### 5.3. Tareas de abocardamiento

- Las fugas de gas se deben principalmente a defectos de abocardado. Realice un abocardado correcto siguiendo estas instrucciones.

#### 5.3.1. Corte del tubo (Fig. 5-2)

- Utilizando un cortatubos, corte correctamente el tubo de cobre.

#### 5.3.2. Eliminación de las rebabas (Fig. 5-3)

- Elimine completamente las rebabas del corte transversal del tubo/tubería.
- Mientras elimina las rebabas, ponga el extremo del tubo/tubería de cobre en dirección descendente para evitar que éstas penetren en el mismo.

#### 5.3.3. Colocación de las tuercas (Fig. 5-4)

- Una vez eliminadas las rebabas, extraiga las tuercas abocardadas colocadas en las unidades interior y exterior, y luego póngalas en el tubo/tubería. (Cuando se ha terminado el proceso de abocardado ya no se pueden poner).

#### 5.3.4. Labores de abocardamiento (Fig. 5-5)

- Realice el trabajo de abocardamiento utilizando una herramienta abocardadora tal como se muestra a la derecha.

Diámetro del tubo (mm, pulgada)	Medidas	
	A (mm, pulgadas)	B <sup>+0</sup> / <sub>-0,4</sub> , 1/64 (mm, pulgadas)
	Cuando se utiliza la herramienta para R410A	
	Tipo de embrague	
6,35, 1/4"	0 a 0,5, 0 a 1/64	9,1, 11/32
9,52, 3/8"	0 a 0,5, 0 a 1/64	13,2, 17/32
12,7, 1/2"	0 a 0,5, 0 a 1/64	16,6, 21/32

Sujete firmemente el tubo de cobre con una pieza de fijación del tamaño indicado en la tabla anterior.

#### 5.3.5. Comprobación (Fig. 5-6)

- Compare el trabajo de abocardamiento con una de las imágenes que se muestran a la derecha.
- Si el abocardado se ve defectuoso, corte la sección abocardada y repita el proceso de abocardado.

- ⓐ Completamente uniforme
- ⓑ Interior lustroso sin arañazos
- ⓒ Nivelado en toda su longitud
- ⓓ Demasiado
- ⓔ Inclinado
- ⓕ Estrías en la superficie abocardada
- ⓖ Agrietado
- ⓗ Inclinado
- ⓓ Malos ejemplos

## 5. Colocación de los tubos de refrigerante

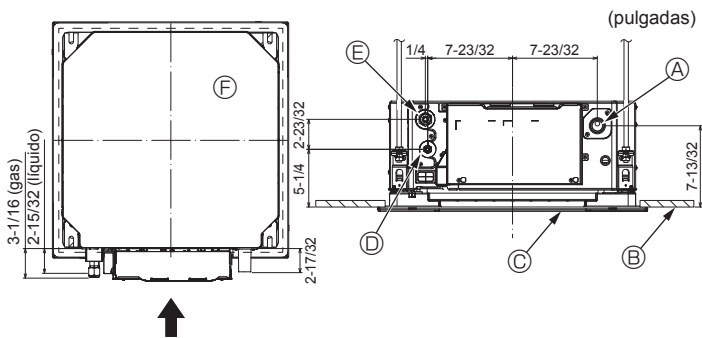


Fig. 5-7

### 5.4. Ubicación de los tubos de refrigerante y drenaje

#### (Fig. 5-7)

- Ⓐ Tubo de drenaje
- Ⓑ Techo
- Ⓒ Rejilla
- Ⓓ Tubo de refrigerante (líquido)
- Ⓔ Tubo de refrigerante (gas)
- Ⓕ Unidad principal

Modelo	Medidas (mm, pulgadas)	
	A (líquido)	B (gas)
SLZ-KF09 SLZ-KF12	63, 2-15/32	72, 2-27/32
SLZ-KF15 SLZ-KF18	63, 2-15/32	78, 3-1/16

### 5.5. Conexión de los tubos (Fig. 5-8)

#### Unidad interior

##### 1) Cuando se utilicen tubos convencionales de cobre:

- Aplique una capa delgada de aceite refrigerante a la superficie del tubo y de la junta de asiento antes de apretar la tuerca abocardada.
- Utilice dos llaves de apriete para apretar las conexiones de los tubos.
- Vacíe de aire el tubo de refrigerante utilizando su propio gas refrigerante (no purgue el aire del refrigerante cargado en la unidad exterior).
- Utilice un detector de fugas o agua jabonosa para comprobar posibles fugas de gas una vez realizadas las conexiones.
- Utilice la tuerca abocardada instalada en esta unidad interior.
- Si vuelve a conectar los tubos de refrigerante después de desmontarlos, asegúrese de que se haya reconstruido la parte abocardada del tubo.
- Utilice el aislante para la tubería de refrigerante incluido para aislar las conexiones de la unidad interior. Realice los aislamientos con cuidado según el diagrama siguiente.

##### 2) Aislamiento térmico de los tubos de refrigerante:

- ① Envuelva la cubierta adjunta del tubo de mayor tamaño alrededor del tubo de gas, comprobando que el extremo de la cubierta del tubo entre en contacto con el lateral de la unidad.
- ② Envuelva la cubierta adjunta del tubo de menor tamaño alrededor del tubo de líquido, comprobando que el extremo de la cubierta del tubo entre en contacto con el lateral de la unidad.
- ③ Sujete ambos extremos de cada cubierta del tubo con las abrazaderas incluidas. (Coloque las abrazaderas a 20 mm (25/32 pulgada) de los extremos de la cubierta del tubo). Compruebe que la rendija de la cubierta del tubo quede hacia arriba al instalarla.

Compruebe que la válvula de parada en la unidad exterior esté totalmente cerrada (la unidad se suministra con la válvula cerrada). Tras realizar todas las conexiones entre unidad interior y exterior, purgue el aire del sistema por succión a través del puerto de la válvula de parada en la unidad exterior.

Después de completar los procedimientos descritos anteriormente, abra completamente el vástago de las válvulas de parada de la unidad exterior. Este paso completará la conexión del circuito de refrigerante entre las unidades interior y exterior. Las instrucciones de la válvula de parada están marcadas en la unidad exterior.

#### Apretar la tuerca abocardada

- Aplique una capa fina de aceite refrigerante en la superficie de asiento de la tubería. (Fig. 5-9)
- Para hacer la conexión, alinee primero el centro y luego déle a la tuerca abocardada las primeras 3 - 4 vueltas.
- Utilice la siguiente tabla de pares de torsión como guía para la sección de unión lateral de la unidad interior y apriete empleando dos llaves. Procure no apretar demasiado, ya que podría deteriorar la sección abocardada.

- Ⓐ Aplique aceite refrigerante para máquinas en toda la superficie abocinada.
- Ⓑ Utilice tuercas abocardadas que coincidan con el tamaño de la tubería de la unidad exterior.
- Ⓒ Torsión de apriete de la tuerca abocardada

Tubo de cobre O.D. (mm, pulgadas)	Diám. ext. de la tuerca abocardada (mm, pulgadas)	Par de torsión (N·m, pies·libras)
ø6,35, 1/4	17, 21/32	14 a 18, 10 a 13
ø9,52, 3/8	22, 7/8	34 a 42, 25 a 31
ø12,7, 1/2	26, 1-1/32	49 a 61, 36 a 45

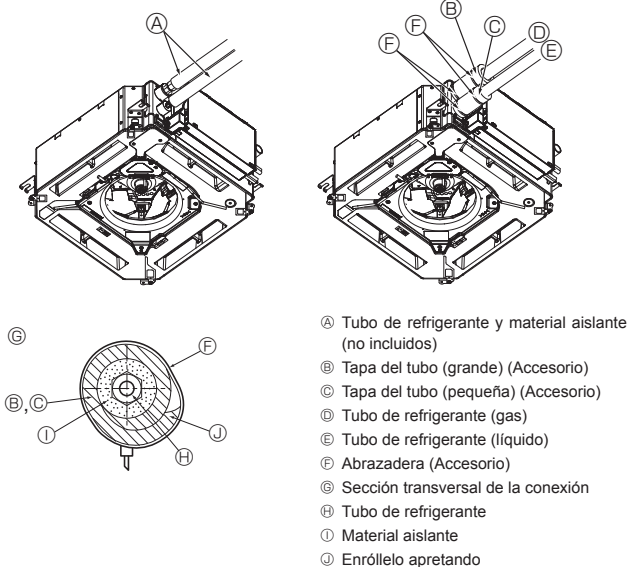


Fig. 5-8

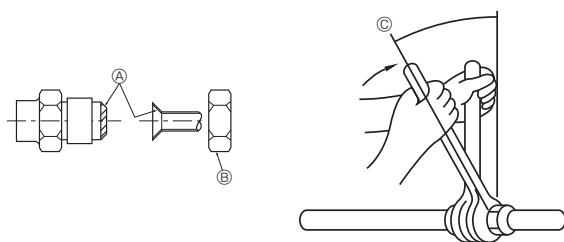


Fig. 5-9

## 6. Colocación de los tubos de drenaje

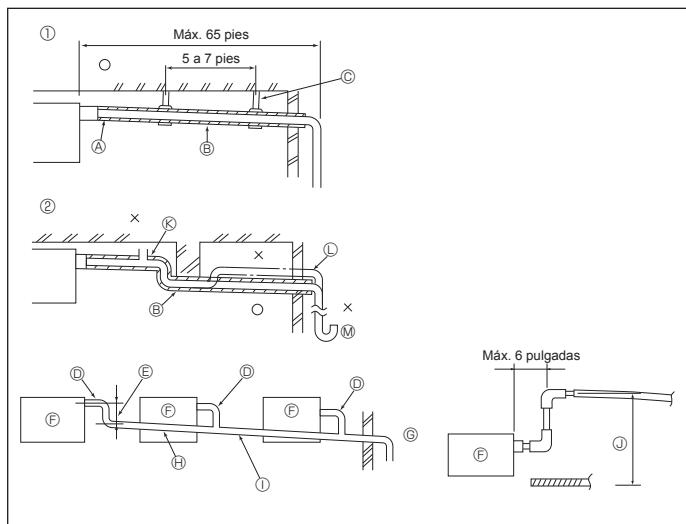


Fig. 6-1

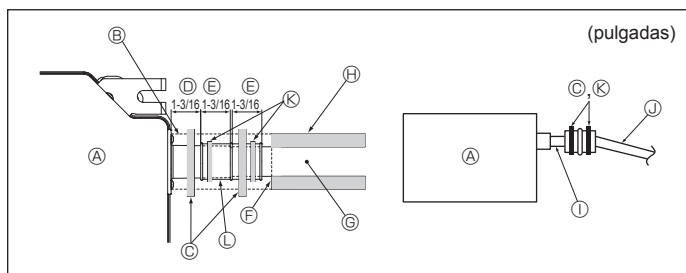


Fig. 6-2

### 6.1. Tubería de drenaje (Fig. 6-1)

- Utilice VP25 (TUBO DE PVC CON DIÁM. EXT.  $\varnothing 32$  mm (1-1/4 pulgadas)) para el tubo de drenaje y proporcione una pendiente de descenso de 1/100 o más.
- Conecte las juntas de los tubos con un adhesivo de tipo polivinilo.
- Consulte la figura para realizar los trabajos de canalización.
- Utilice la manguera de drenaje incluida para cambiar la dirección de la extracción.

- |  |                            |
|--|----------------------------|
| ① Tubería correcta                         | Ⓒ Soporte metálico         |
| ② Tubería incorrecta                       | ⓧ Purgador de aire         |
| Ⓐ Aislamiento (9 mm (11/32 pulgada) o más) | Ⓛ Criado                   |
| Ⓑ Pendiente de descenso (1/100 o más)      | Ⓜ Sifón para evitar olores |

#### Agrupación de tuberías

- Ⓢ TUBO DE PVC CON DIÁM. EXT.  $\varnothing 32$  mm (1-1/4 pulgadas)
- Ⓣ Hágalo lo más ancho posible
- Ⓤ Unidad interior
- Ⓥ Haga una medida ancha para la tubería con el objetivo de agrupar las tuberías.
- Ⓦ Pendiente de descenso (1/100 o más)
- Ⓧ TUBO DE PVC CON DIÁM. EXT.  $\varnothing 38$  mm (1-1/2 pulgadas) para agrupación de tuberías. (Aislamiento de 9 mm (11/32 pulgada) o más)
- Ⓨ Hasta 850 mm (33 pulgadas)

1. Conecte el tubo de desagüe (suministrado con la unidad) al orificio de desagüe. (Fig. 6-2)  
(Sujete el tubo con un adhesivo de PVC y asegure la conexión con una abrazadera).
2. Instale un tubo de drenaje (no incluido) (tubo de PVC, diám. ext.  $\varnothing 32$  mm (1-1/4 pulgadas)).  
(Sujete la tubería con un adhesivo de PVC y asegure la conexión con una abrazadera).
3. Aísle el tubo y la tubería. (Tubería de PVC, O.D.  $\varnothing 32$  mm (1-1/4 pulgadas) y manguito)
4. Compruebe que el líquido de drenaje circule correctamente.
5. Aísle el orificio de desagüe con material aislante y sujételo con una abrazadera. (Tanto el material aislante como la abrazadera se incluyen con la unidad).

- |                                      |  |
|--------------------------------------|--|
| Ⓐ Unidad principal                   | Ⓢ Tubo de drenaje (TUBO DE PVC CON DIÁM. EXT. $\varnothing 32$ mm (1-1/4 pulgadas))            |
| Ⓑ Material aislante                  | Ⓣ Material aislante (no incluido)  |
| Ⓒ Abrazadera (grande)                | Ⓤ Tubo de PVC transparente   |
| Ⓓ Orificio de desagüe (transparente) | Ⓧ TUBO DE PVC O.D. $\varnothing 32$ mm (1-1/4 pulgadas) (pendiente de descenso de 1/100 o más) |
| Ⓔ Límite de colocación               | Ⓨ Abrazadera (media)   |
| Ⓕ Unión                              | Ⓩ Tubo de desagüe  |

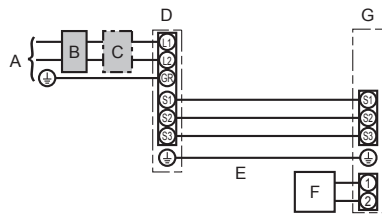
## 7. Trabajo eléctrico

### 7.1. Alimentación de la unidad interior suministrada por la unidad exterior

Están disponibles los siguientes patrones de conexión.

Los patrones de la fuente de alimentación de la unidad exterior varían en función del modelo.

#### Sistema 1:1



- A Alimentación de la unidad exterior
- B Disyuntor automático de fugas a tierra
- C Disyuntor de cableado o interruptor aislante
- D Unidad exterior
- E Cables de conexión de la unidad interior/unidad exterior
- F Controlador remoto
- G Unidad interior

Modelo de la unidad interior		SLZ
Cableado- Cable n° x tamaño (mm <sup>2</sup> )	Unidad interior-unidad exterior *1	3 × AWG16 (Polar)
	Cable a tierra de la unidad interior y de la unidad exterior *1	1 × Mín. AWG16
	Cable a tierra de la unidad interior	1 × Mín. AWG16
	Mando a distancia-Unidad interior *2	2 × AWG22 (No polar)
Rango del circuito	Unidad interior (Calefactor) L-N *3	—
	Unidad interior-unidad exterior S1-S2 *3	208/230 VCA
	Unidad interior-unidad exterior S2-S3 *3	24 VCC
	Mando a distancia-Unidad interior *3	12 VCC

\*1. <Para la aplicación en la unidad exterior 09-18>

Máx. 45 m, 148 pies

Si se utiliza cable de AWG13 (2,5 mm<sup>2</sup>), máx. 50 m, 165 pies

Si se utiliza cable de AWG13 (2,5 mm<sup>2</sup>) y S3 por separado, máx. 80 m, 263 pies

\*2. Máx. 500 m, 1640 pies

(Si se utilizan 2 mandos a distancia, la longitud máxima del cableado para los cables del mando a distancia es de 200 m, 656 pies).

\*3. Los valores NO siempre se aplican a la toma a tierra.

El terminal S3 dispone de 24 VCC frente al terminal S2. Entre S3 y S1, estos terminales no están aislados eléctricamente por el transformador u otro dispositivo.

**Notas:** 1. El diámetro de los cables debe cumplir la normativa local y nacional.

2. Los cables de alimentación y los que conectan la unidad interior y la exterior deben tener una resistencia mínima equiparable a los cables flexibles revestidos de policloropreno. (Diseño 60245 IEC 57)

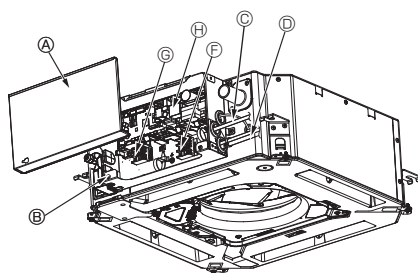
3. Instale un cable de toma de tierra más largo que el resto de los cables.

4. Los cables de conexión de las unidades interior y exterior tienen distintas polaridades. Para realizar unos cableados correctos, compruebe que coincida el número de terminal (S1, S2, S3).

5. Los cables del mando a distancia deberán situarse alejados (5 cm, 2 pulgadas como mínimo) de los cables de alimentación, de modo que no se vean afectados por el ruido eléctrico generado por los cables de alimentación.

⚠ Atención:

No empalme nunca el cable de corriente o el cable de la conexión interior-exterior, de lo contrario se podrían provocar humo, un incendio o un fallo en la comunicación.



- Ⓐ Cubierta de las piezas eléctricas
- Ⓑ Caja de componentes eléctricos
- Ⓒ Entrada para el cable de conexión interior-exterior
- Ⓓ Entrada para el cable del mando a distancia con cable
- Ⓔ Pinza de cable
- Ⓕ Terminal de conexión de la unidad interior/exterior
- Ⓖ Terminal del mando a distancia con cable
- Ⓗ Controlador interior
- Ⓘ Cable de tierra

Fig. 7-1

### 7.2. Unidad interior (Fig. 7-1) (Fig. 7-2) (Fig. 7-3)

Procedimiento de instalación

1. Afloje los dos tornillos que sujetan la cubierta de las piezas eléctricas y luego deslice y retire la cubierta.
  2. Pase los cables por las guías de cableado y a través de las entradas de cable de la caja de componentes eléctricos.  
(El cable de alimentación y el cable de conexión de la unidad interior/exterior no están incluidos).
  3. Conecte firmemente el cable de alimentación eléctrica y el cable de conexión entre las unidades interior/exterior a los bloques de terminales.
  4. Sujete los cables con las cintas de sujeción de cables situadas en el interior de la caja de componentes eléctricos.  
Sujete los cables utilizando como amortiguadores las cintas de sujeción de cables para no tensionar las secciones de conexión del bloque de terminales cuando se genera tensión.
  5. Instale la cubierta de las piezas eléctricas.  
Compruebe que los cables no queden atrapados.
- No permita que se aflojen los tornillos de terminales.
  - La cinta está pegada encima del orificio del conducto utilizado para conectar el cableado eléctrico. Retire esta cinta si desea realizar una conexión a través del orificio.

⚠ Atención:

- Inserte el gancho de la cubierta de las piezas eléctricas en el soporte doblado de la caja de componentes eléctricos, y coloque la tapa firmemente. Si se coloca de forma incorrecta, puede provocar un incendio o una descarga eléctrica debido al polvo, agua, etc.
- Conecte las unidades interior y exterior con el cable de conexión especificado y sujete bien el cable al panel de terminales de modo que no quede tenso en la zona de conexiones del panel. Una conexión o fijación defectuosa del cable podría provocar un incendio.

## 7. Trabajo eléctrico

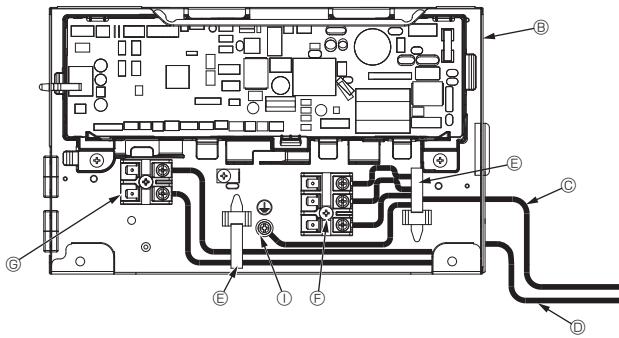


Fig. 7-2

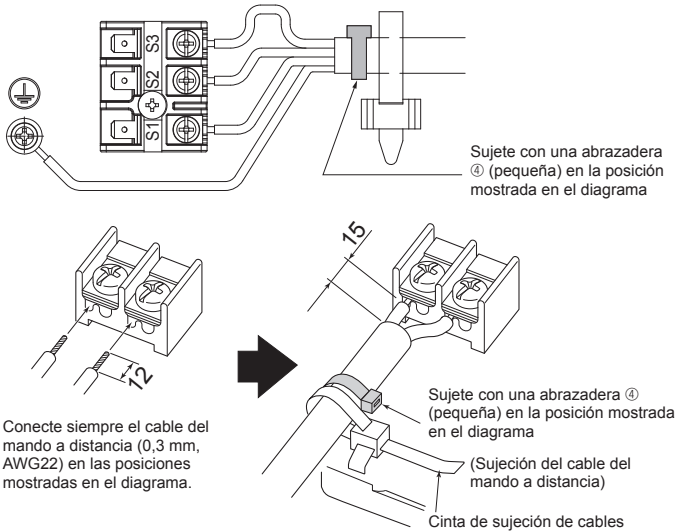


Fig. 7-3

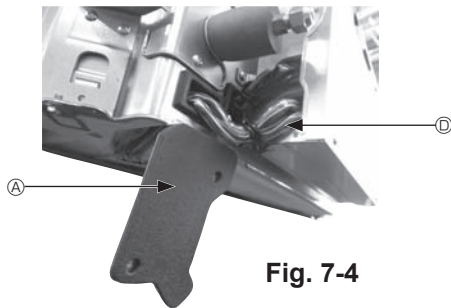


Fig. 7-4

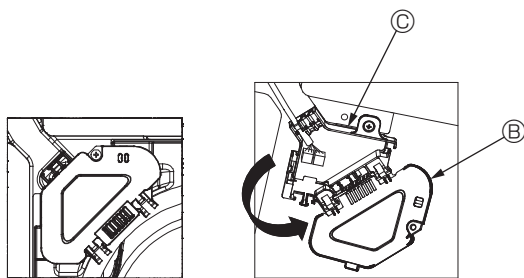


Fig. 7-5

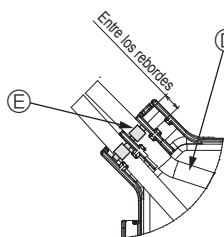
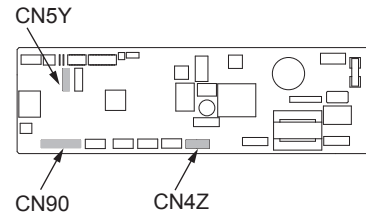


Fig. 7-6

### ⚠ Precaución:

- Antes de instalar la rejilla, compruebe que haya conectado el cable de enlace.
- Si la rejilla dispone de receptor de señales o del sensor i-See, el pack de la rejilla incluye un cable de enlace.

Receptor de señales: CN90  
 Sensor 3D i-See: CN5Y  
 Motor del sensor 3D i-See: CN4Z



### 7.2.1. Instalar el sensor i-See y el receptor de señales

Antes de instalar la rejilla, conecte los cables de enlace incluidos con los accesorios de la rejilla y colóquelos en la caja de conexión.

- ① Retire los dos tornillos que sujetan la cubierta de alambre de la unidad principal, y luego abra la cubierta.
- ② Pase los cables del sensor i-See y del receptor de señales por las entradas de cable de la caja de componentes eléctricos, tal como se muestra en el diagrama y alrededor de los casquillos del lado de la unidad principal. (Fig. 7-4)  
Al pasar los cables, abra la abrazadera que sujeta el cable de enlace de la rejilla, y luego sujete dicho cable y los cables del sensor i-See y del receptor de señales con la abrazadera.
- ③ Retire el tornillo que sujeta la cubierta de la caja de conexión, y luego abra la cubierta. (Fig. 7-5)
- ④ Coloque el conector del cable de enlace en la caja de conexión.
- ⑤ Instale la cubierta de alambre y la cubierta de la caja de conexión.

### ⚠ Precaución:

Cuando instale las cubiertas, compruebe que los cables no queden atrapados. Coloque la abrazadera que sujeta los cables de unión entre los rebordes de la caja de conexión, tal como se muestra en el diagrama. (Fig. 7-6)

- Ⓐ Cubierta de cables
- Ⓑ Cubierta de la caja de conexión
- Ⓒ Caja de conexión
- Ⓓ Cable principal del sensor i-See o del receptor de señales (Accesorio de la rejilla)
- Ⓔ Abrazadera

## 7. Trabajo eléctrico

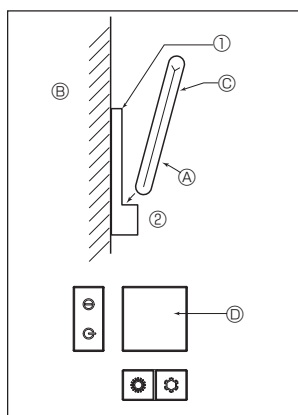


Fig. 7-7

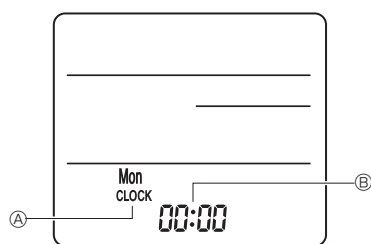


Fig. 7-8

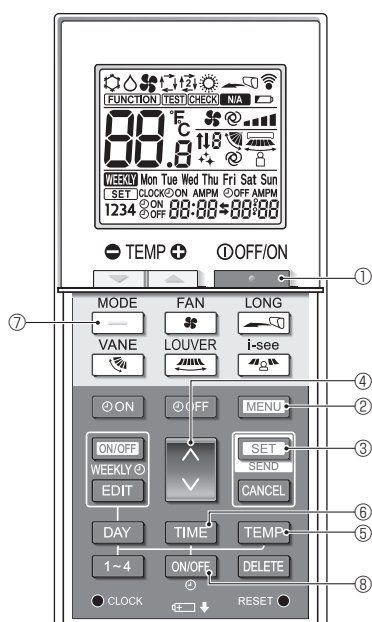


Fig. 7-9

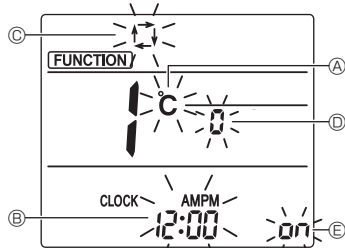


Fig. 7-10

### 7.3. Controlador remoto

Si utiliza un mando a distancia cableado junto con un mando a distancia inalámbrico, utilice el siguiente mando a distancia inalámbrico.

#### 7.3.1. Controlador remoto cableado

##### 1) Procedimientos de instalación

Consulte el manual de instalación suministrado con cada controlador remoto para obtener más información.

##### 2) Selección de función del mando a distancia

Si hay dos mandos a distancia conectados, ajuste uno como "Principal" y el otro como "Subordinado". Para conocer los procedimientos de ajuste, consulte la sección "Selección de función del mando a distancia" en el manual de instrucciones de la unidad interior.

#### 7.3.2. Para el mando a distancia inalámbrico

##### 1) Zona de instalación

- El mando a distancia no debe estar expuesto a la luz solar directa.
- No debe estar cerca de fuentes de calor.
- El mando a distancia no debe estar expuesto a corrientes de aire frío (o caliente).
- El mando a distancia debe colocarse donde pueda manejarse con facilidad.
- El mando a distancia debe estar fuera del alcance de los niños.

##### 2) Método de instalación (Fig. 7-7)

- ① Fije el soporte del mando a distancia en el lugar deseado con 2 tornillos roscados.
- ② Coloque el extremo inferior del mando en el soporte.

① Mando a distancia ② Pared ③ Panel de visualización ④ Receptor

- La señal alcanza aproximadamente hasta 7 metros, 23 pies (en línea recta), con un ángulo de 45 grados a la izquierda y la derecha de la línea central del receptor.

##### 3) Configuración (Ajuste del reloj) (Fig. 7-8)

1. Inserte las baterías o pulse el ●<sub>CLOCK</sub> botón con algún objeto puntiagudo. [CLOCK] (RELOJ) [A] y [:] [B] parpadean.
2. Pulse el botón RESET ● con algún objeto puntiagudo.
3. Pulse el botón [↓] para configurar la hora. Pulse el botón [DAY] para configurar el día.
4. Pulse el botón ●<sub>CLOCK</sub> con algún objeto puntiagudo. [CLOCK] (RELOJ) y [:] se iluminan.

##### 4) Configuración inicial

Los siguientes ajustes se pueden definir en el modo de ajuste inicial.

Elemento	Configuración	Fig. 7-10
Unidad de temperatura	°C/°F	④
Visualización de la hora	Formato 12 horas/Formato 24 horas	⑥
Modo AUTO	Punto de ajuste individual/punto de ajuste doble	⑦
N.º de par	0-3	④
Luz de fondo	On/Off	⑧

#### 4-1. Cambiar al modo de ajuste inicial

1. Pulse el botón [STOP] ① para detener el acondicionador de aire.
2. Pulse el botón [MENU] ②. Se mostrará la pantalla de configuración de funciones y parpadeará el n.º de función ④. (Fig. 7-9) Pulse el botón [↓] ④ para cambiar el n.º de función.
3. Compruebe que se muestra la función N.º "1", y luego pulse el botón [SET] ③. Se visualizará la pantalla de configuración de la visualización. (Fig. 7-10)

#### 4-2. Cambiar la unidad de temperatura ④

- Pulse el botón [TEMP] ⑤. Cada vez que pulse el botón [TEMP] ⑤, el ajuste cambiará de °C a °F. °C: La temperatura se muestra en grados Celsius. °F: La temperatura se muestra en grados Fahrenheit.

#### 4-3. Cambiar la visualización de la hora ⑥

- Pulse el botón [TIME] ⑥. Cada vez que pulse el botón [TIME] ⑥, el ajuste cambiará de <sup>AMPM</sup>12:00 a <sup>AMPM</sup>24:00. <sup>AMPM</sup>12:00: La hora se visualiza en el formato de 12 horas. <sup>AMPM</sup>24:00: La hora se visualiza en el formato de 24 horas.

#### 4-4. Cambiar el modo AUTO ⑦

- Pulse el botón [—] ⑦. Cada vez que pulse el botón [—] ⑦, el ajuste cambiará de <sup>AMPM</sup>1 a <sup>AMPM</sup>2. <sup>AMPM</sup>1: El modo AUTO funciona como el modo automático habitual. <sup>AMPM</sup>2: El modo AUTO funciona utilizando dos puntos de ajuste.

#### 4-5. Cambiar el N.º de par ④

- Pulse el botón [↑] ④. Cada vez que pulse el botón [↑] ④, cambia el N.º de par 0-3.

Nº de par del mando a distancia inalámbrico	Placa del PC interior
0	Configuración inicial
1	Cut J41
2	Cut J42
3	Cut J41, J42

#### 4-6. Cambiar el ajuste de la luz de fondo ⑧

- Pulse el botón [ON/OFF] ⑧. Cada vez que pulse el botón [ON/OFF] ⑧, el ajuste cambiará de on a off. on: La luz de fondo se enciende al pulsar un botón. off: La luz de fondo no se enciende al pulsar un botón.

## 7. Trabajo eléctrico

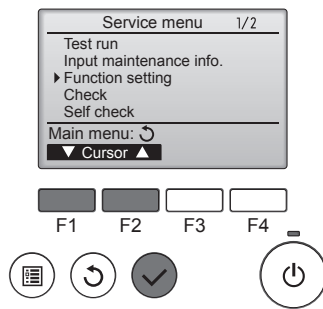


Fig. 7-11

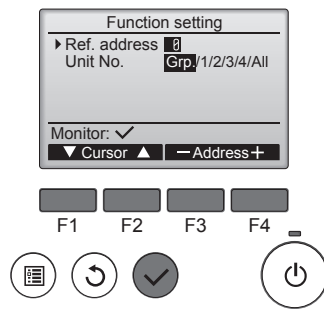


Fig. 7-12

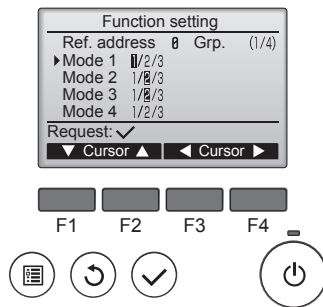


Fig. 7-13

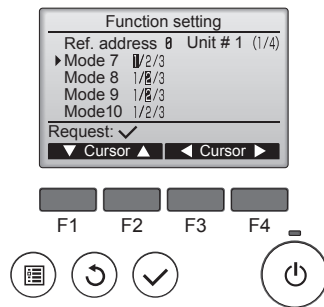


Fig. 7-14

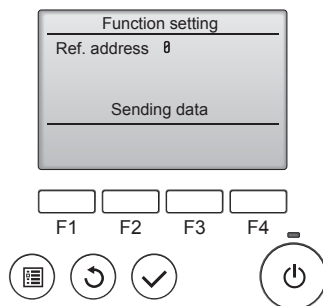


Fig. 7-15

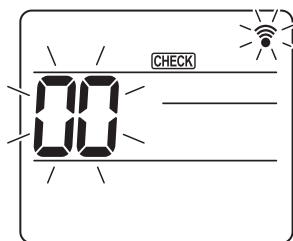


Fig. 7-16

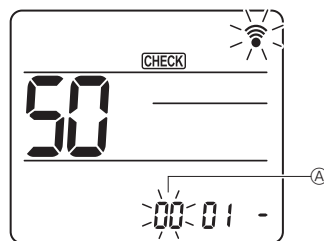


Fig. 7-17

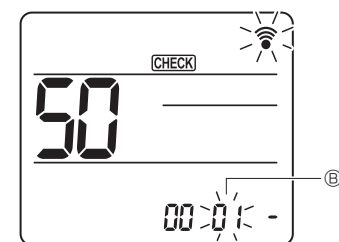


Fig. 7-18

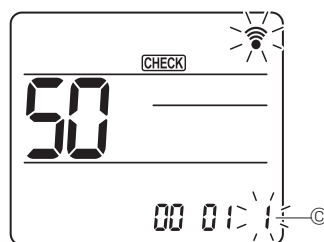


Fig. 7-19

### 7.4. Ajustes de función

#### 7.4.1. Por medio del mando a distancia con cable

- ① (Fig. 7-11)
    - Seleccione "Service" (Revisión) desde el Menú principal, y pulse el botón [ACEPTAR].
    - Seleccione "Function setting" (Configuración de funciones) con el botón [F1] o [F2], y pulse el botón [ACEPTAR].
  - ② (Fig. 7-12)
    - Ajuste las direcciones del refrigerante de la unidad interior y los números de unidad con los botones [F1] a [F4], y luego pulse el botón [ACEPTAR] para confirmar el ajuste actual.
- <Comprobar la Unidad interior n°>**  
 Cuando se pulse el botón [ACEPTAR], empezará a funcionar el ventilador de la unidad interior. Si la unidad es común o si están funcionando todas las unidades, empezará a funcionar el ventilador de todas las unidades interiores para la dirección de refrigerante seleccionada.
- ③ (Fig. 7-13)
    - Una vez completada la recopilación de datos de las unidades interiores, aparecen resaltados los ajustes actuales. Los elementos sin resaltar indican que no se ha realizado ninguna configuración de funciones. El aspecto de la pantalla varía en función de la configuración de "Unit No." (Nº Unid.).
  - ④ (Fig. 7-14)
    - Utilice el botón [F1] o [F2] para mover el cursor y seleccionar el número de modo, y cambie el número de ajuste con el botón [F3] o [F4].
  - ⑤ (Fig. 7-15)
    - Una vez completados los ajustes, pulse el botón [ACEPTAR] para enviar los datos de configuración del mando a distancia a las unidades interiores.
    - Una vez completada la transmisión, se volverá a la pantalla Configuración de funciones.

#### 7.4.2. Mediante el mando a distancia inalámbrico (Fig. 7-16, Fig. 7-17, Fig. 7-18, Fig. 7-19)

- ① Vaya al modo de selección de función  
 Pulse el botón [MENU] unos 5 segundos.  
 (Inicie esta operación con la pantalla de estado del mando a distancia apagada). [CHECK] (COMPROBAR) se ilumina y "00" parpadea. (Fig. 7-16)  
 Pulse el botón [50] para seleccionar "50".  
 Apunte el mando a distancia inalámbrico hacia el receptor de la unidad interior y pulse el botón [SET].
- ② Configuración del número de unidad  
 Pulse el botón [50] para seleccionar el número de unidad ②. (Fig. 7-17)  
 Apunte el mando a distancia inalámbrico hacia el receptor de la unidad interior y pulse el botón [SET].
- ③ Seleccione un modo  
 Pulse el botón [50] para seleccionar el número de modo ③. (Fig. 7-18)  
 Apunte el mando a distancia inalámbrico hacia el receptor de la unidad interior y pulse el botón [SET].  
 Número de configuración en uso: 1=1 pitido (1 segundo)  
 2=2 pitidos (de 1 segundo cada uno)  
 3=3 pitidos (de 1 segundo cada uno)
- ④ Seleccionar el número de ajuste  
 Utilice el botón [50] para cambiar el número de ajuste ④. (Fig. 7-19)  
 Apunte el mando a distancia inalámbrico hacia el receptor de la unidad interior y pulse el botón [SET].
- ⑤ Para seleccionar múltiples funciones continuamente  
 Repita la selección de ③ y ④ para cambiar de manera continua los ajustes de varias funciones.
- ⑥ Para seleccionar la función completa  
 Apunte el mando a distancia inalámbrico hacia el sensor de la unidad interior y pulse el botón [OFF/ON].

#### Nota:

- Realice los ajustes anteriores en las unidades Mr. Slim según sea necesario.
- La tabla 1 resume las opciones de ajuste para cada número de modo.
- Asegúrese de anotar los ajustes para todas las funciones si alguno de los ajustes iniciales se ha cambiado tras completar el trabajo de instalación.

## 7. Trabajo eléctrico

### Tabla de funciones

Seleccione el número de unidad 00 [tabla 1]

Modo	Ajustes	Nº de modo	Nº de ajuste	Configuración inicial	colocación
Recuperación automática de fallo de alimentación	No disponible	01	1		
	Disponible *1		2	O *2	
Detección de la temperatura interior	Media de funcionamiento de la unidad interior	02	1	O	
	Ajustada por el mando a distancia de la unidad interior		2		
	Sensor interno del mando a distancia		3		

Seleccione los números de unidad 01 a 03 o todas las unidades (AL [mando a distancia con cable]/07 [mando a distancia inalámbrico])

Modo	Ajustes	Nº de modo	Nº de ajuste	Configuración inicial	colocación
Señalización de filtro	100 horas	07	1		
	2500 horas		2	O	
	Sin indicador de señalización de filtro		3		
Velocidad del ventilador	Silencioso	08	1		
	Estándar		2	O	
	Techo alto		3		
Ajuste de los deflectores de ascenso/descenso	Sin ajuste	11	1		
	Ajuste sin corrientes (configuración del ángulo de los deflectores ①)		2		
	Ajuste hacia abajo (configuración del ángulo de los deflectores ②)		3	O	
Posición del sensor 3D i-See *3	Posición ① (posición del indicador "□", página 54)	12	1		
	(Posición ①)		2		
	Posición ③ (posición del indicador "○", página 54)		3	O	
Velocidad del ventilador mientras el termostato de refrigeración está desactivado	Ajustar la velocidad del ventilador	27	1	O	
	Parada		2		
	Extra baja		3		

\*1 Cuando vuelva a haber corriente eléctrica, el acondicionador de aire se activará al cabo de 3 minutos o de 1 minuto (bisagra de la unidad exterior).

\*2 El ajuste inicial de recuperación automática de fallo de alimentación depende de la unidad exterior conectada.

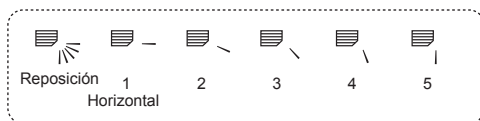
\*3 Si ha cambiado la posición del panel angular del sensor 3D i-See, cambie este modo. Consulte la página 54.

### 7.4.3. Para ajustar el aire en dirección arriba/abajo de forma fija

- Los siguientes procedimientos solo permiten fijar la salida particular en una dirección concreta. Una vez fijada, la salida ajustada se fija únicamente cada vez que se enciende el acondicionador de aire. (El resto de salidas siguen la dirección del aire ARRIBA/ABAJO ajustada en el mando a distancia).

#### ■ Definición de términos

- "Ref. address" (Codificación) y "Unit No." (Nº Unid.) son los números asignados a cada acondicionador de aire.
- "Nº de salida" es el número asignado a cada salida del acondicionador de aire. (Consulte la imagen de la derecha.)
- "Dirección del aire Arriba/Abajo" es la dirección (ángulo) que se debe fijar.



Flujo de aire horizontal



Hacia abajo

#### Ajuste del mando a distancia

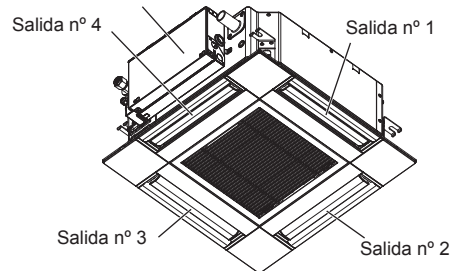
En esta salida, la dirección del flujo de aire está controlada por el ajuste seleccionado con el mando a distancia.

#### Ajuste fijo

En esta salida, la circulación del aire está fijada en una dirección concreta.

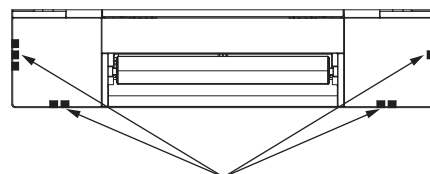
\* Si tiene frío debido a que el aire le da directamente, la circulación de éste puede fijarse en posición horizontal para que no ocurra esto.

Caja de los componentes eléctricos



#### Nota:

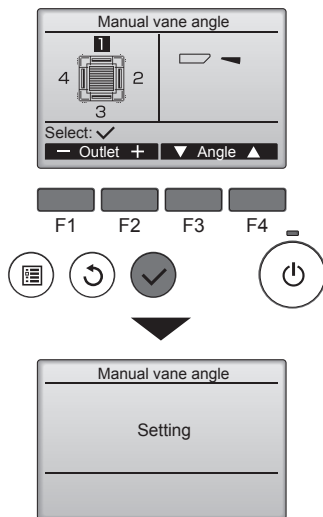
El nº de salida se indica según el número de ranuras en ambos extremos de cada salida de aire. Ajuste la dirección del aire consultando la información que se muestra en la pantalla del mando a distancia.




Marcas de identificación de la salida de aire



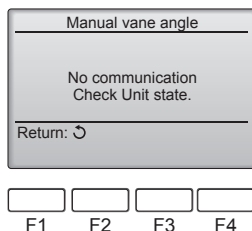
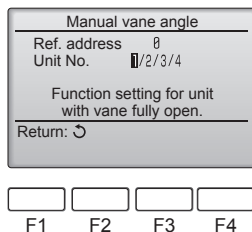
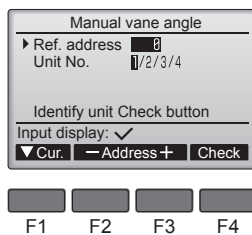
## 7. Trabajo eléctrico



Si se seleccionan todas las salidas, se mostrará  la siguiente vez que la unidad entre en funcionamiento.

Navegar por las pantallas

- Para volver al Menú principal .....Botón [MENÚ]
- Para volver a la pantalla anterior.....Botón [VOLVER]



Se mostrará el ajuste actual de los deflectores.

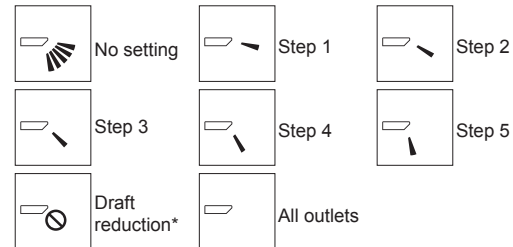
Seleccione las salidas que desee de 1 a 4 con el botón [F1] o [F2].

- Salida: "1", "2", "3", "4" y "1, 2, 3, 4, (todas las salidas)"

Pulse el botón [F3] o [F4] para desplazarse por las opciones en este orden: "No setting (reset)" (Sin configurar (Borrar)), "Step 1" (Posición 1), "Step 2" (Posición 2), "Step 3" (Posición 3), "Step 4" (Posición 4), "Step 5" (Posición 5) y "Draft reduction\*" (Reducción de corrientes).

Seleccionar el ajuste deseado.

### ■ Ajuste de los deflectores



### \* Reducción de corrientes

La dirección del flujo de aire para este ajuste es más horizontal que la dirección del flujo de aire para el ajuste "Step 1" (Posición 1) para reducir la sensación de corrientes de aire. La reducción de corrientes solo puede ajustarse para 1 deflector.

Pulse el botón [ACEPTAR] para guardar los ajustes.

Aparecerá una pantalla indicando que se está transmitiendo la información de configuración.

Se realizarán los cambios deseados en la salida seleccionada.

Una vez completada la transmisión, la pantalla volverá automáticamente a la mostrada arriba (posición 4).

Realice las configuraciones para las otras salidas siguiendo los mismos procedimientos.

### Procedimiento de confirmación

① En primer lugar, confirme ajustando "Ref. address" (Codificación) a 0 y "Unit No." (Nº Unid.) a 1.

- Mueva el cursor hacia "Ref. address" (Codificación) o "Unit No." (Nº Unid.) con el botón [F1] para seleccionar una opción.
- Seleccione la dirección del refrigerante y el número de unidad para las unidades cuyos deflectores deba fijar, con el botón [F2] o [F3], y pulse el botón [ACEPTAR].
- Codificación: Dirección del refrigerante
- Nº Unid.: 1, 2, 3, 4

Pulse el botón [F4] para confirmar la unidad.

② Cambie el "Unit No." (Nº Unid.) en orden y compruebe todas las unidades.

- Pulse el botón [F1] para seleccionar "Unit No." (Nº Unid.).
- Pulse el botón [F2] o [F3] para cambiar el "Nº Unid." a la unidad que desea comprobar, y luego pulse el botón [F4].
- Después de pulsar el botón [F4], espere unos 15 segundos y compruebe el estado actual del acondicionador de aire.
  - El deflector está orientado hacia abajo. → Este acondicionador de aire se visualiza en el mando a distancia.
  - Todas las salidas están cerradas. → Pulse el botón [VOLVER] y continúe la operación desde el principio.
  - Se visualizan los mensajes mostrados a la izquierda. → El dispositivo de destino no existe en esta codificación de refrigerante.
- Pulse el botón [VOLVER] para volver a la pantalla inicial.

③ Cambie la "Ref. address" (Codificación) al siguiente número.

- Consulte el paso ① para cambiar la "Ref. address" (Codificación) y continuar con la confirmación.

## 8. Prueba de funcionamiento

### 8.1. Antes de realizar la prueba de funcionamiento

- ▶ Después de la instalación de tubos y cables en las unidades interior y exterior, compruebe que no haya escapes de refrigerante, que no se haya aflojado ni la fuente de alimentación ni el cableado de control, que la polaridad no sea errónea ni que tampoco se haya desconectado ninguna fase de la alimentación.
- ▶ Utilice un megóhmetro de 500 V para comprobar que la resistencia entre los bornes de alimentación y tierra es como mínimo de 1,0 MΩ.

▶ No efectúe esta prueba en los bornes de los cables de control (circuito de bajo voltaje).

⚠ **Atención:**  
No utilice el acondicionador de aire si la resistencia de aislamiento es inferior a 1,0 MΩ.

### 8.2. Prueba de funcionamiento

#### 8.2.1. Al usar el mando a distancia con cable

- Lea siempre el manual de instrucciones antes de realizar la prueba de funcionamiento. (Especialmente los elementos para garantizar la seguridad)

#### Paso 1 Active el equipo.

- Mando a distancia: El sistema entra en el modo de inicio, y parpadean el indicador luminoso de alimentación del mando a distancia (verde) y el mensaje "PLEASE WAIT" (ESPERE, POR FAVOR). Mientras el indicador y el mensaje están parpadeando, no puede utilizarse el controlador remoto. Espere a que no se visualice "PLEASE WAIT" ("ESPERE, POR FAVOR") antes de utilizar el controlador remoto. Una vez activado el equipo, se visualizará "PLEASE WAIT" ("ESPERE, POR FAVOR") en pantalla durante unos 2 minutos.
- Cuadro del controlador interior: El LED 1 estará iluminado, el LED 2 estará iluminado (si la dirección es 0) o apagado (si la dirección no es 0), y el LED 3 parpadeará.
- Cuadro del controlador exterior: El LED 1 (verde) y el LED 2 (rojo) estarán iluminados. (Una vez finalizado el modo de inicio del sistema, el LED 2 se apagará). Si el cuadro del controlador exterior utiliza una pantalla digital, se visualizará alternativamente [- ] y [ - ] cada segundo. Si las operaciones no funcionan correctamente después de realizar los procedimientos del paso 2 y posteriores, deben considerarse las siguientes causas y solucionarse si están presentes.  
(Los síntomas descritos a continuación aparecen durante el modo de prueba. La mención de "Startup" (Inicio) en la tabla se refiere a la pantalla de LEDs mencionada anteriormente).

Síntomas en el modo de prueba		Causa
Pantalla del controlador remoto	Pantalla de LEDs DEL CUADRO EXTERIOR < > indica pantalla digital.	
El controlador remoto muestra "PLEASE WAIT" ("ESPERE, POR FAVOR") y no puede utilizarse.	Después de visualizarse "startup" (inicio), solo se ilumina el indicador verde. <00>	• Una vez activado el equipo, se visualiza "PLEASE WAIT" (ESPERE, POR FAVOR) durante 2 minutos mientras se inicia el sistema. (Normal)
Una vez activado el equipo, se visualiza "PLEASE WAIT" ("ESPERE, POR FAVOR") durante 3 minutos y luego se visualiza un código de error.	Después de visualizarse "startup" (inicio), parpadean alternativamente los indicadores verde (una vez) y rojo (una vez). <F1>	• Conexión incorrecta del bloque de terminales exteriores (R, S, T y S <sub>1</sub> , S <sub>2</sub> , S <sub>3</sub> .)
	Después de visualizarse "startup" (inicio), parpadean alternativamente los indicadores verde (una vez) y rojo (dos veces). <F3, F5, F9>	• El conector del dispositivo de protección de la unidad exterior está abierto.
No se visualiza nada, aunque se haya activado el interruptor de funcionamiento del controlador remoto. (La luz de funcionamiento no se ilumina).	Después de visualizarse "startup" (inicio), parpadean alternativamente los indicadores verde (dos veces) y rojo (una vez). <EA, Eb>	• Cableado incorrecto entre la unidad interior y la exterior (polaridad incorrecta para S <sub>1</sub> , S <sub>2</sub> , S <sub>3</sub> ).
	Después de visualizarse "startup" (inicio), solo se ilumina el indicador verde. <00>	• El cable de transmisión del mando a distancia es corto. • No existe ninguna unidad exterior con dirección 0. (La codificación es distinta a 0). • El cable de transmisión del mando a distancia está abierto.
La pantalla se activa pero se desactiva enseguida, aunque se utilice el controlador remoto.	Después de visualizarse "startup" (inicio), solo se ilumina el indicador verde. <00>	• Después de cancelar la selección de funciones, no podrá utilizarse el equipo durante unos 30 segundos. (Normal)

#### Paso 2 Seleccione "Test run" (Modo prueba) desde el mando a distancia.

- 1 Seleccione "Test run" (Modo prueba) desde el menú Servicio, y pulse el botón [ACEPTAR]. (Fig. 8-1)
- 2 Seleccione "Test run" (Modo prueba) desde el menú Modo prueba, y pulse el botón [ACEPTAR]. (Fig. 8-2)
- 3 Se inicia la prueba de funcionamiento, y se visualiza la pantalla Prueba de funcionamiento.

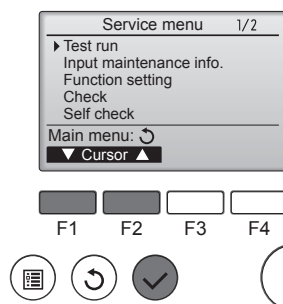


Fig. 8-1

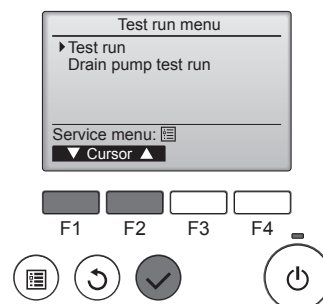


Fig. 8-2

#### Paso 3 Realice la prueba de funcionamiento y compruebe la temperatura del flujo de aire y el sistema automático de desviación del aire.

- 1 Pulse el botón [F1] para cambiar el modo de funcionamiento. (Fig. 8-3)  
Modo de refrigeración: Compruebe que salga aire frío de la unidad.  
Modo de calefacción: Compruebe que salga aire caliente de la unidad.
- 2 Pulse el botón [ACEPTAR] para visualizar la pantalla de funcionamiento Deflector, y luego pulse los botones [F1] y [F2] para comprobar el sistema automático de desviación del aire. (Fig. 8-4)  
Pulse el botón [VOLVER] para volver a la pantalla Modo prueba.  
Si los deflectores no se mueven, compruebe que los conectores del cable de enlace estén bien conectados y que los colores de los conectores coincidan.

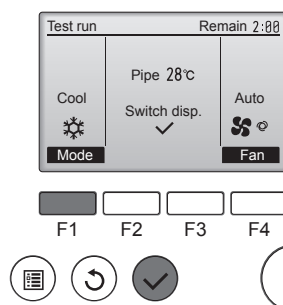


Fig. 8-3

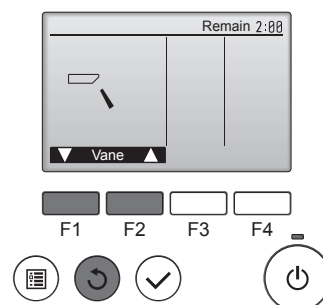


Fig. 8-4

#### Paso 4 Confirme el funcionamiento del ventilador de la unidad exterior.

La velocidad del ventilador de la unidad exterior se controla para vigilar el rendimiento de la unidad. Dependiendo del aire del entorno, el ventilador girará a velocidad lenta y seguirá girando a dicha velocidad a menos que el rendimiento sea insuficiente. Por lo tanto, el viento exterior puede provocar que el ventilador deje de girar o que gire en dirección contraria, pero esto no indica un problema.

## 8. Prueba de funcionamiento

### Paso 5 Detenga la prueba de funcionamiento.

① Pulse el botón [ENCENDIDO/APAGADO] para detener la prueba de funcionamiento. (Aparecerá el menú Modo prueba).

Nota: Si se visualiza un error en el mando a distancia, consulte la tabla siguiente.

[Ciclo de emisión A] Errores detectados por la unidad interior

Controlador remoto inalámbrico	Controlador remoto cableado	Síntoma	Observación
Pitido/parpadea la luz INDICADORA DE FUNCIONAMIENTO (número de veces)	Código de comprobación		
1	P1	Error del sensor de admisión	
2	P2	Error del sensor del tubo (TH2)	
	P9	Error del sensor del tubo (TH5)	
3	E6, E7	Error de comunicación entre la unidad interior y la exterior	
4	P4	Error del sensor de drenaje / Conector del interruptor de flotador abierto	
5	P5	Error en la bomba de drenaje	
	PA	Error del compresor forzado	
6	P6	Funcionamiento de la protección contra congelación/sobrecalentamiento	
7	EE	Error de comunicación entre unidades interior y exterior	
8	P8	Error de temperatura del tubo	
9	E4	Error de recepción de señal del mando a distancia	
10	---	---	
11	PB (Pb)	Error en el motor del ventilador de la unidad interior	
12	FB (Fb)	Error del sistema de control de la unidad interior (error de memoria, etc.)	
14	PL	Circuito de refrigeración anómalo	
No hay sonido	E0, E3	Error de transmisión del mando a distancia	
No hay sonido	E1, E2	Error del cuadro de control del mando a distancia	
No hay sonido	----	Sin correspondencia	

[Ciclo de emisión B] Errores detectados por una unidad distinta de la unidad interior (unidad exterior, etc.)

Controlador remoto inalámbrico	Controlador remoto cableado	Síntoma	Observación
Pitido/parpadea la luz INDICADORA DE FUNCIONAMIENTO (número de veces)	Código de comprobación		
1	E9	Error de comunicación de la unidad interior/exterior (error de transmisión) (unidad exterior)	Para información detallada, compruebe la pantalla de LED del cuadro del controlador exterior.
2	UP	Interrupción del compresor por sobrecorriente	
3	U3, U4	Apertura/corte de termistores de la unidad exterior	
14	PL u Otros	Anomalía en el circuito de refrigerante u otros errores	

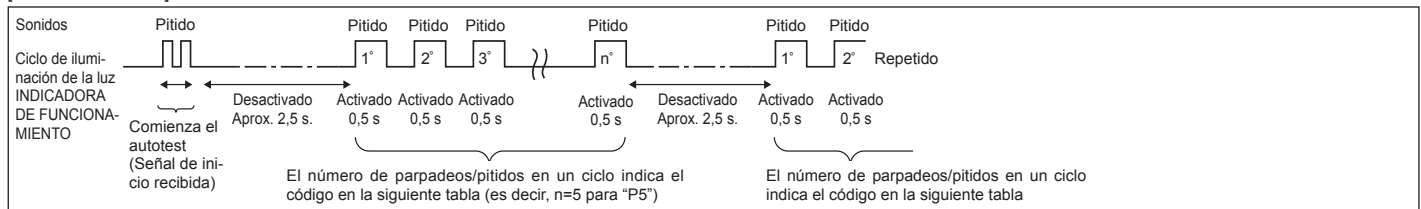
\*1 Si tras los 2 pitidos iniciales que confirman la recepción de la señal de inicio del autotest no hay más pitidos y la luz INDICADORA DE FUNCIONAMIENTO no se ilumina, no habrá errores registrados.

\*2 Si suenan 3 pitidos consecutivos "piip, piip, piip (0,4 + 0,4 + 0,4 segundos)" tras los 2 pitidos iniciales que confirman la recepción de la señal de inicio del autotest, la dirección de refrigerante especificada no es correcta.

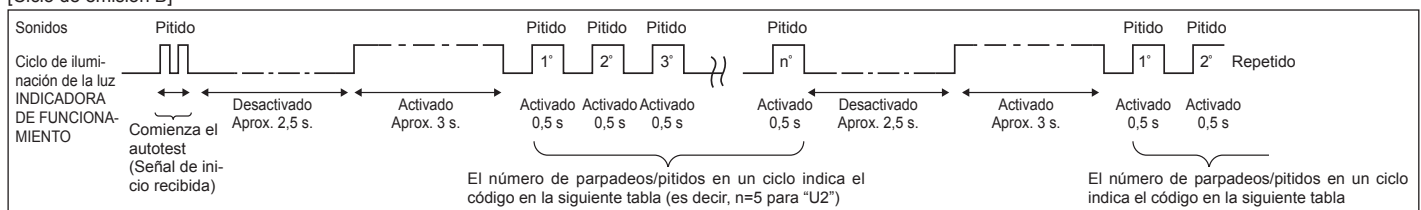
- En el mando a distancia inalámbrico  
Se oye un pitido continuo desde la sección receptora de la unidad interior.  
La luz de funcionamiento parpadea
- En el mando a distancia con cable  
Compruebe el código que aparece en la LCD.

• Para más información sobre los códigos de comprobación, consulte las siguientes tablas. (Mando a distancia inalámbrico)

[Patrón de salida A]



[Ciclo de emisión B]



Consulte en la tabla siguiente los detalles de la pantalla de LEDs (LED 1, 2 y 3) en el cuadro del controlador interior.

LED1 (alimentación del microordenador)	Indica si se suministra alimentación de control. Compruebe que este LED esté siempre iluminado.
LED2 (alimentación del controlador remoto)	Indica si el controlador remoto cableado recibe alimentación. El LED solo se ilumina para la unidad interior conectada a la unidad exterior con una codificación 0.
LED3 (comunicación entre la unidad interior/exterior)	Indica si las unidades interior y exterior se comunican entre sí. Compruebe que este LED esté siempre parpadeando.

Nota:

Si la unidad se utiliza de manera continua durante una prueba de funcionamiento, se detendrá al cabo de 2 horas.

## 8. Prueba de funcionamiento

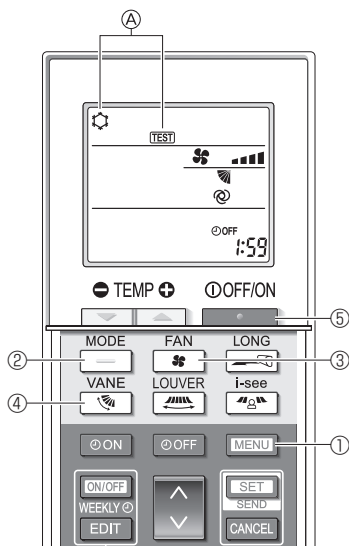
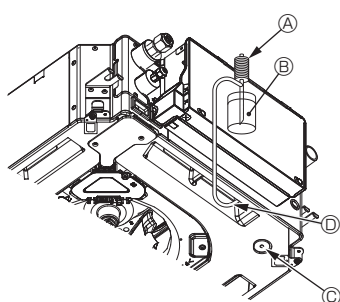


Fig. 8-5



- Ⓐ Bomba de alimentación de agua
  - Ⓑ Agua (aprox. 1000 cc)
  - Ⓒ Tapón de drenaje
  - Ⓓ Vaciar agua por la salida
- Tenga cuidado de que no caiga agua en el mecanismo de la bomba de drenaje.

Fig. 8-6

### 8.2.2. Utilizar el mando a distancia inalámbrico

1. Active la unidad al menos 12 horas antes de realizar una prueba de funcionamiento.
2. Pulse el botón **MENU** ① durante 5 segundos. (Fig. 8-5)  
(Realice esta operación con la pantalla del mando a distancia apagada).
3. Pulse el botón **MENU** ①.  
En pantalla se visualiza Ⓐ [TEST] (PRUEBA) y el modo actual de funcionamiento. (Fig. 8-5)
4. Pulse el botón **MODE** ② para activar el modo de refrigeración, y compruebe si sale aire frío de la unidad.
5. Pulse el botón **MODE** ② para activar el modo de calefacción, y compruebe si sale aire caliente de la unidad.
6. Pulse el botón **FAN** ③ y compruebe si cambia la velocidad del ventilador.
7. Pulse el botón **VANE** ④ y compruebe que el sistema automático de desviación del aire funciona correctamente.
8. Pulse el botón **MENU** ⑤ para detener la prueba de funcionamiento.  
(Al cabo de dos horas, se enviará una señal para detener la prueba de funcionamiento).

#### Nota:

- Cuando siga los pasos 3 a 8, oriente el mando a distancia hacia el receptor de la unidad interior.
- No es posible realizar la prueba de funcionamiento en los modos FAN (VENTILADOR), DRY (DESHUMIDIFICACIÓN) o AUTO.

### 8.3. Autocomprobación

- Consulte el manual de instalación suministrado con cada mando a distancia para obtener más información.

### 8.4. Comprobación del drenaje (Fig. 8-6)

- Compruebe que el agua se drena correctamente y que no hay fugas en las juntas.
- **Si el trabajo eléctrico está terminado.**
- Vacíe agua durante la operación de refrigeración y efectúe la comprobación.
- **Si el trabajo eléctrico no está terminado.**
- Vacíe agua durante la operación de emergencia y efectúe la comprobación.
- \* La bomba de drenaje y el ventilador se activan simultáneamente al conectar la tensión monofásica de 230 V en S1 y S2 del bloque de terminales después de activar (ON) el conector (SWE) del cuadro del controlador que hay en la caja de componentes eléctricos.

Asegúrese de devolverlo a su posición original al finalizar el trabajo.

## 9. Control del sistema

Consulte el manual de instalación de la unidad exterior.

## 10. Instalar la rejilla

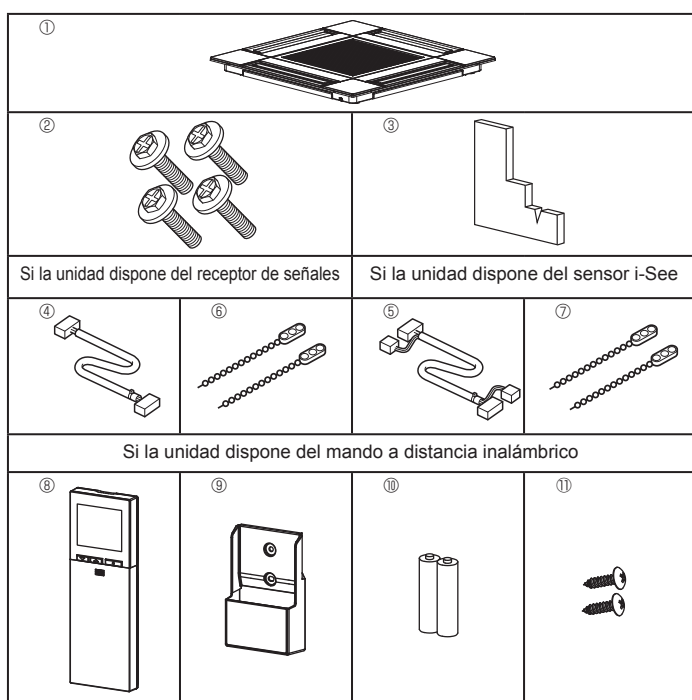


Fig. 10-1

### 10.1. Comprobación de los accesorios de la rejilla (Fig. 10-1)

- La rejilla debe disponer de los siguientes accesorios.

	Nombre del accesorio	Cant.	Observación
①	Rejilla	1	625 × 625 (mm), 24-19/32 × 24-19/32 (pulgadas)
②	Tornillo con arandela	4	M5 × 0,8 × 25 (mm)
③	Calibre	1	
④	Cable de enlace para el receptor de señales	1	Se incluye si la unidad dispone del receptor de señales.
⑤	Cable de enlace para el sensor i-See	1	Se incluye si la unidad dispone del sensor i-See.
⑥	Remache	2	Se incluye si la unidad dispone del receptor de señales.
⑦	Remache	2	Se incluye si la unidad dispone del sensor i-See.
⑧	Mando a distancia inalámbrico	1	Se incluye si la unidad dispone del mando a distancia inalámbrico.
⑨	Soporte del controlador remoto	1	Se incluye si la unidad dispone del mando a distancia inalámbrico.
⑩	Pilas LR6 AA	2	Se incluye si la unidad dispone del mando a distancia inalámbrico.
⑪	Tornillos roscados de 3,5 × 16 mm	2	Se incluye si la unidad dispone del mando a distancia inalámbrico.

## 10. Instalar la rejilla

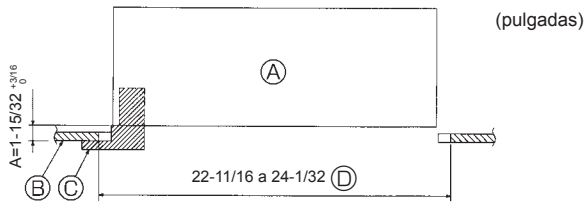


Fig. 10-2

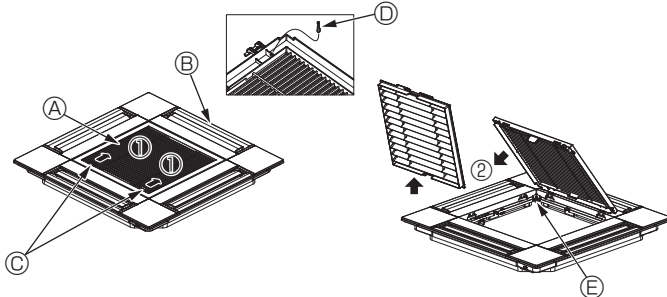


Fig. 10-3

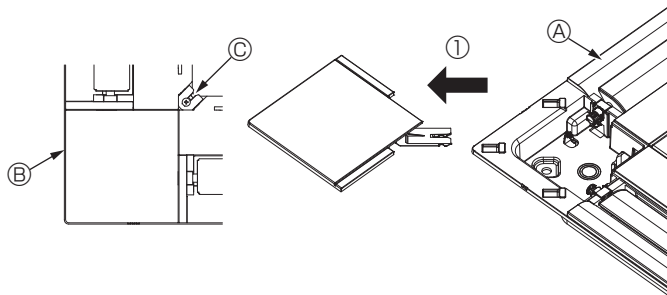
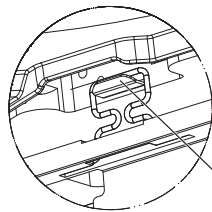
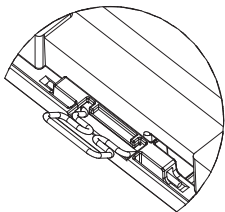


Fig. 10-4

<El gancho está levantado>

<Gancho de la rejilla>



Gancho de la unidad principal

Fig. 10-5

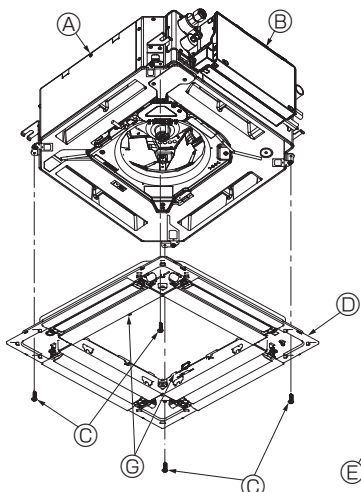


Fig. 10-6

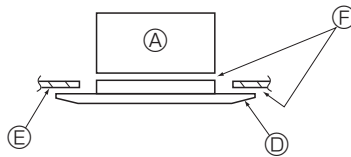


Fig. 10-7

### 10.2. Preparación para colocar la rejilla (Fig. 10-2)

- Con el calibre que se entrega con este equipo, ajuste y compruebe la posición de la unidad en relación con el techo. Si la unidad no está colocada en el techo de forma adecuada, podrían producirse escapes de aire, generarse una condensación o es posible que los deflectores de ascenso/descenso no funcionen correctamente.
- Asegúrese de que la abertura del techo esté dentro de los siguientes límites: 576 × 576 a 610 × 610 (mm), 22-11/16 × 22-11/16 a 24-1/32 × 24-1/32 (pulgadas)
- Asegúrese de que el paso A se realiza en 37 a 42 mm (de 1-15/32 a 1-21/32 pulgadas). Si no se respeta este margen, podrían producirse graves daños.

- Ⓐ Unidad principal
- Ⓑ Techo
- Ⓒ Calibre (Accesorio)
- Ⓓ Dimensiones de la abertura del techo

#### 10.2.1. Extracción de la rejilla de admisión (Fig. 10-3)

- Deslice las palancas en la dirección indicada con la flecha ① para abrir la rejilla de admisión.
- Retire el gancho que fija la rejilla.
  - \* No retire el gancho de la rejilla de admisión.
- Con la rejilla de admisión en posición "abierta", retire la bisagra de la rejilla de admisión de la rejilla tal y como se indica con la flecha ②.

- Ⓐ Rejilla de admisión
- Ⓑ Rejilla
- Ⓒ Palancas de la rejilla de admisión
- Ⓓ Gancho de la rejilla
- Ⓔ Orificio para el gancho de la rejilla

#### 10.2.2. Extracción del panel angular (Fig. 10-4)

- Afloje el tornillo de la esquina del panel angular. Deslice el panel angular indicado con la flecha ① para retirarlo.

- Ⓐ Rejilla
- Ⓑ Panel angular
- Ⓒ Tornillo

## 10.3. Instalar la rejilla

- Preste atención porque la posición de instalación de la rejilla es determinada.

### 10.3.1. Instalación temporal de la rejilla

- Alinee los orificios de los tornillos en las esquinas de la rejilla con los orificios correspondientes en las esquinas de la unidad principal, sujete los dos ganchos de la rejilla en los resaltes del depósito de drenaje de la unidad principal, y cuelgue provisionalmente la rejilla. (Fig. 10-5)

#### ⚠ Precaución:

Al instalar el sensor i-See y el receptor de señales, coloque los cables de enlace en la caja de conexión antes de colgar temporalmente la rejilla. Consulte el apartado 7.2.1. de la página 45 para pasar los cables de enlace.

### 10.3.2. Fijación de la rejilla

- Sujete la rejilla apretando los cuatro tornillos. (Fig. 10-6)
- \* Compruebe que no haya huecos entre la unidad principal y el panel, o entre el panel y el techo. (Fig. 10-7)

- Ⓐ Unidad principal
- Ⓑ Caja de componentes eléctricos
- Ⓒ Tornillo con arandela (accesorio)
- Ⓓ Rejilla
- Ⓔ Techo
- Ⓕ Asegúrese de que no queden huecos.
- Ⓖ Ganchos para sujeción provisional en el panel

#### ⚠ Precaución:

- Cuando apriete el tornillo con la arandela cautiva Ⓒ, hágalo con un par de apriete de 4,8 N·m (4 pies-libras) o menos. No utilice nunca un atornillador por percusión. Podría provocar daños en las piezas.
- Después de apretar el tornillo, confirme que los dos ganchos de la rejilla (Fig. 10-5) estén sujetos en los ganchos de la unidad principal.

## 10. Instalar la rejilla

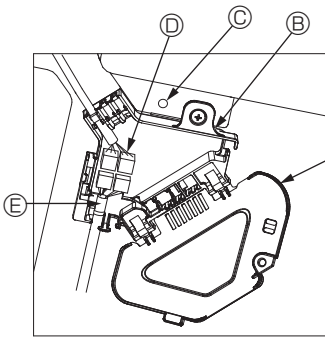


Fig. 10-8

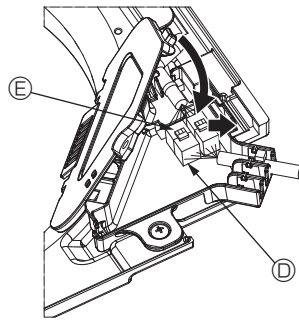


Fig. 10-9

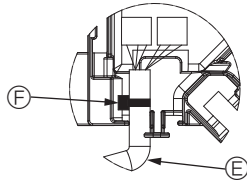


Fig. 10-10

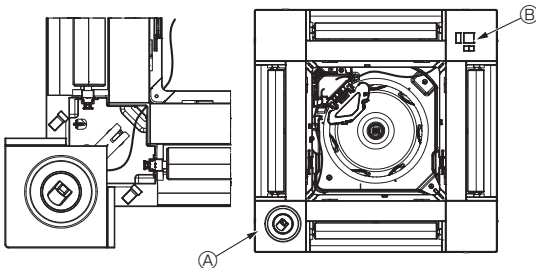


Fig. 10-11

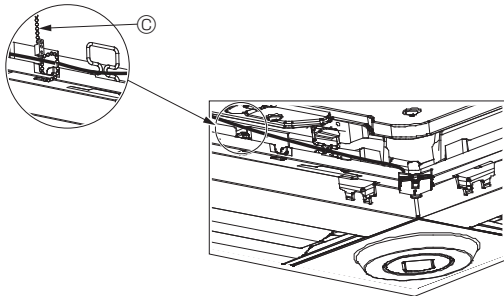


Fig. 10-12

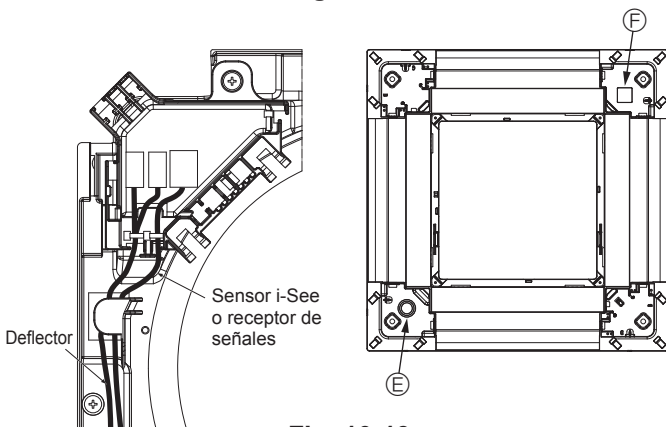


Fig. 10-13

### 10.3.3. Conectar los cables

- ① Retire el tornillo que sujeta la cubierta de la caja de conexión, y luego abra la cubierta.
- ② Conecte firmemente el conector del cable de enlace del motor de los deflectores y el conector del cable de dicho motor en la caja de conexión. (Fig. 10-8) Encontrará dos conectores del motor de los deflectores: un conector azul y un conector naranja. Cuando conecte los conectores, asegúrese de que los colores coincidan.
- ③ Cierre la cubierta de la caja de conexión.  
Al cerrar la cubierta de la caja de conexión, deslice la cubierta en la dirección indicada por la flecha y compruebe que el resalte haya quedado firmemente insertado. (Fig. 10-9)

- Ⓐ Cubierta de la caja de conexión
- Ⓑ Caja de conexión
- Ⓒ Tornillo de fijación
- Ⓓ Conector de enlace
- Ⓔ Conector del cable para el motor de los deflectores
- Ⓕ Abrazadera

### ⚠ Precaución:

- Coloque la abrazadera que sujeta el cable del motor de los deflectores del panel en la caja de conexión, tal como se muestra en el diagrama. (Fig. 10-10)
- Cuando cierre la cubierta de la caja de conexión, compruebe que los cables no queden atrapados.

### 10.3.4. Cableado del panel angular del sensor i-See y del receptor de señales

- Coloque el sensor i-See y el receptor de señales en las esquinas del panel, en las posiciones marcadas con "o" o "□". (Las posiciones se pueden invertir.)
- Pase los cables del sensor i-See y del receptor de señales por los orificios cuadrados de las esquinas del panel y conéctelos.
- Conecte el conector del cable de enlace y los conectores de cable del sensor i-See y del receptor de señales en la caja de conexión.
- Cierre la cubierta de la caja de conexión.
- Sujete los cables del sensor i-See y del receptor de señales en el panel con el remache de la forma mostrada en el diagrama procurando que queden tensos, y luego corte el sobrante en el extremo del remache. (Fig. 10-12)
- Coloque los cables del sensor i-See y del receptor de señales en el interior del reborde del panel.
- Si la posición del sensor i-See ha cambiado de "o" (E) a "□" (F), cambie los ajustes de función. (Véase la página 48.)

### ⚠ Precaución:

- Coloque los cables del sensor i-See y del receptor de señales como se indica en la Fig. 10-13.
- Coloque las partes sobrantes de los cables de enlace del sensor i-See y del receptor de señales en la caja de componentes eléctricos en el clip para cables de la forma mostrada en el diagrama, y sujete los cables con el remache. (Fig. 10-14)
- Compruebe que la abrazadera que sujeta los cables de enlace del sensor i-See y del receptor de señales esté colocado en el interior de la caja de conexión. (Fig. 10-15)
- Si los conectores del motor de los deflectores y el conector del receptor de señales están conectados de forma incorrecta, los deflectores no se moverán o la comunicación con el mando a distancia no será posible.

- Ⓐ Sensor i-See
- Ⓑ Receptor de señales
- Ⓒ Remache
- Ⓓ Clip para los cables
- Ⓔ Indicador "o": posición por defecto del sensor i-See
- Ⓕ Indicador "□": posición por defecto del receptor de señales

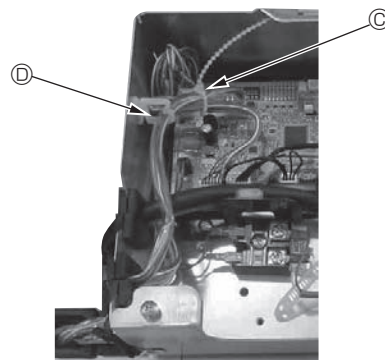


Fig. 10-14

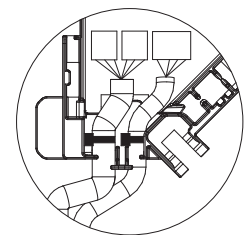
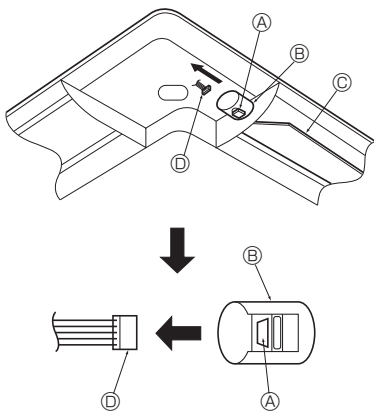


Fig. 10-15

## 10. Instalar la rejilla



- Ⓐ Botón
- Ⓑ Motor de los deflectores
- Ⓒ Deflectores de ascenso/descenso
- Ⓓ Conector

Fig. 10-16

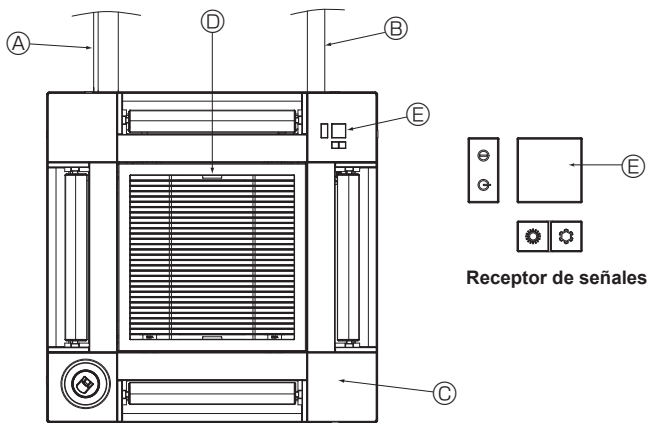


Fig. 10-17

### 10.4. Bloqueo de la dirección del flujo de aire de ascenso/descenso (Fig. 10-16)

Puede ajustar y bloquear los deflectores de la unidad con orientación de ascenso o descenso dependiendo de las condiciones ambientales de uso.

- Ajustelos de acuerdo con las preferencias del cliente. Mediante el mando a distancia no se pueden manejar los deflectores de ascenso/descenso ni todos los controles automáticos. Además, la posición real de los deflectores puede variar respecto a la indicada en el mando a distancia.
- ① Desactive el interruptor de alimentación principal. Pueden producirse lesiones o descargas eléctricas mientras gire el ventilador de la unidad.
- ② Desconecte el conector del motor de los deflectores del ventilador que desea bloquear. (Mientras pulsa el botón, retire el conector en la dirección indicada por la flecha tal y como se indica en el diagrama). Después de retirar el conector, aíselo con cinta aislante.

### 10.5. Instalación de la rejilla de admisión (Fig. 10-17)

- Invierta el procedimiento descrito en el apartado "10.2. Preparación para colocar la rejilla" para instalar la rejilla de admisión y el panel angular.
  - Ⓐ Tuberías de refrigerante de la unidad principal
  - Ⓑ Tuberías de drenaje de la unidad principal
  - Ⓒ Panel angular
  - Ⓓ Posición de las palancas de la rejilla de admisión con la configuración original de fábrica.
    - \* De todos modos, puede instalar los clips en cualquiera de las cuatro posiciones.
  - Ⓔ Receptor

### 10.6. Comprobación

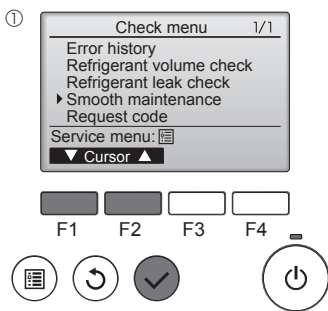
- Asegúrese de que no hay ningún hueco entre la unidad y la rejilla, ni entre la rejilla y la superficie del techo. Si hubiese alguno, podrían formarse gotas de condensación.
- Asegúrese de que los cables han quedado firmemente conectados.
- Compruebe que los cuatro deflectores se muevan. Si dos o cuatro deflectores no se mueven, consulte el apartado 10.3. y compruebe las conexiones.
- Para el panel angular del sensor 3D i-See, compruebe el movimiento de rotación. Si el sensor 3D i-See no gira, revise el procedimiento descrito en el apartado "10.3. Instalar la rejilla".

## 11. Función de mantenimiento fácil

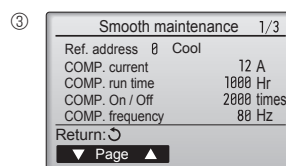
Los datos de mantenimiento, como la temperatura del intercambiador de calor de la unidad interior/exterior y la corriente de funcionamiento del compresor, pueden visualizarse mediante el "Smooth maintenance" (Mantenimiento suave).

\* No puede ejecutarse durante la prueba de funcionamiento.

\* Según la combinación con la unidad exterior, esta función puede no ser compatible con algunos modelos.

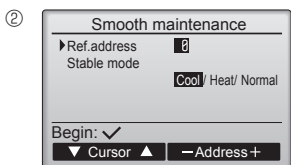


- Seleccione "Service" (Revisión) desde el Menú principal, y pulse el botón [ACEPTAR].
- Seleccione "Check" (Comprobación) con el botón [F1] o [F2], y pulse el botón [ACEPTAR].
- Seleccione "Smooth maintenance" (Mantenimiento suave) con el botón [F1] o [F2], y pulse el botón [ACEPTAR].



Aparecerán los datos de funcionamiento.

El tiempo de funcionamiento acumulado del compresor ("COMP. run" (Func. COMP.)) se expresa en unidades de 10 horas, y el número de veces que se ha puesto en funcionamiento el compresor ("COMP. On/Off" (COMP. encendido/apagado)) se expresa en unidades de 100 veces (se omiten las fracciones)



Seleccione cada uno de los elementos.

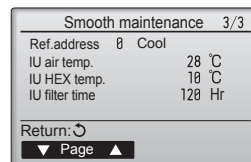
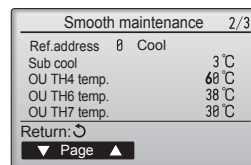
- Seleccione el elemento que desea cambiar con el botón [F1] o [F2].
- Seleccione el ajuste correspondiente con el botón [F3] o [F4].

Ajuste "Ref. address" (Codificación)  
..... "0" - "15"

Ajuste "Stable mode" (Modo estable)

..... "Cool" (Frío) / "Heat" (Calor) / "Normal" (Normal)

- Pulse el botón [ACEPTAR], con lo que se iniciará el funcionamiento fijo.
- \* "Stable mode" (Modo estable) se prolongará durante unos 20 minutos.



#### Navegar por las pantallas

- Para volver al Menú principal..... Botón [MENÚ]
- Para volver a la pantalla anterior ..... Botón [VOLVER]

This product is designed and intended for use in the residential,  
commercial and light-industrial environment.

Please be sure to put the contact address/telephone number on  
this manual before handing it to the customer.



**MITSUBISHI ELECTRIC CORPORATION**

HEAD OFFICE: TOKYO BUILDING, 2-7-3, MARUNOUCHI, CHIYODA-KU, TOKYO 100-8310, JAPAN