

Job Name:

System Reference:

Date:

Indoor Unit:
PCA-A24KA7

Outdoor Unit:
 PUY-A24NHA7
 PUY-A24NHA7-BS



INDOOR UNIT FEATURES

- Airflow settings for high and low ceiling applications
- Knock-out for outside-air intake
- Optional i-see Sensor™ for air distribution and energy saving
- Auto fan speed mode
- Filter status indicator
- Easy-to-clean, washable filter
- Suspends from ceiling for quick and easy installation
- Ideal for larger retail stores, classrooms, and restaurants

OUTDOOR UNIT FEATURES

- Variable speed INVERTER-driven compressor
- Power receiver pre-charged with refrigerant volume for piping length up to 100 ft (70 ft. for A12/18/24/30)
- Low ambient cooling down to -40°F providing 100% capacity (only for PUY models with wind baffles installed)
- 24-hour continuous operation (cooling mode)
- High pressure protection
- Fast restarts in cooling mode (15 seconds for 12/18/36/42; 50 seconds for 24/30)
- Superior energy and operational efficiency

SPECIFICATIONS: PCA-A24KA7 & PUY-A24NHA7(-BS)

Model Number	Indoor Unit		PCA-A24KA7
	Outdoor Unit		PUY-A24NHA7
			PUY-A24NHA7-BS
Cooling ¹	Maximum Capacity	Btu/h	24,000
	Rated Capacity	Btu/h	24,000
	Minimum Capacity	Btu/h	10,000
	Maximum Power Input	W	1,960
	Rated Power Input	W	1,960
	Moisture Removal	Pints/h	5.80
	Sensible Heat Factor		0.73
	Power Factor	%	94.70
Efficiency	SEER		21.20
	EER ¹		12.20
Electrical	Voltage, Phase, Frequency		208 / 230V, 1-phase, 60 Hz
	Guaranteed Voltage Range	V AC	198 – 253
	Voltage: Indoor - Outdoor, S1-S2	V AC	208 / 230
	Voltage: Indoor - Outdoor, S2-S3	V DC	24
	Voltage: Indoor - Remote controller	V DC	12
	Recommended Fuse/Breaker Size	A	25
	Recommended Wire Size (Indoor - Outdoor)	AWG	14
Indoor Unit	MCA	A	1.00
	Fan Motor Full Load Amperage	A	0.54
	Fan Motor Output	W	95
	Airflow Rate, Dry	CFM	530-565-600-670
	Airflow Rate, Wet	CFM	495-530-565-635
	External Static Pressure	in.WG	n/a
	Sound Pressure Level	dB(A)	33-35-37-40
	Drain Pipe Size	In. (mm)	1-1/32 (26)
	Condensate Lift Mechanism, Max. Distance	In. (mm)	n/a
	Heat Exchanger Type		Plate fin coil
	External Finish Color		White Munsell 6.4Y 8.9/0.4
	Unit Dimensions	W: In. (mm)	50-3/8 (1280)
		D: In. (mm)	26-3/4 (680)
		H: In. (mm)	9-1/16 (230)
	Package Dimensions	W: In.	53-2/16
		D: In.	29-15/16
H: In.		12-10/16	
Unit Weight	Lbs. (kg)	71 (32)	
Package Weight	Lbs.	82	
Indoor Unit Operating Temperature Range	Cooling Intake Air Temp (Maximum / Minimum)	°F	90 DB, 73 WB / 66 DB, 59 WB

SPECIFICATIONS: PCA-A24KA7 & PUY-A24NHA7(-BS)

Model Number	Indoor Unit		PCA-A24KA7
	Outdoor Unit		PUY-A24NHA7
			PUY-A24NHA7-BS
Outdoor Unit	MCA	A	19
	MOCP	A	26
	Fan Motor Full Load Amperage	A	0.4
	Fan Motor Output	W	86
	Airflow Rate	CFM	1,940
	Refrigerant Control	Electronic Expansion Valve	
	Heat Exchanger Type	Cross fin	
	Sound Pressure Level, Cooling ¹	dB(A)	47
	Compressor Type	INVERTER-driven twin rotary	
	Compressor Model	SNB172FWHM1	
	Compressor Rated Load Amps	A	7
	Compressor Locked Rotor Amps	A	11
	Compressor Oil Type // Charge	oz.	FV50S // 23
	External Finish Color	Ivory Munsell 3Y 7.8/1.1	
	Base Pan Heater	n/a	
	Unit Dimensions	W: In. (mm)	37-13/32 (950)
		D: In. (mm)	13 + 1-3/16 (330 + 30)
		H: In. (mm)	37-1/8 (943)
	Package Dimensions	W: In.	40-15/16
		D: In.	17-11/16
H: In.		40-11/16	
Unit Weight	Lbs. (kg)	151 (68)	
Package Weight	Lbs. (kg)	176 (80)	
Outdoor Unit Operating Temperature Range	Cooling Intake Air Temp (Maximum / Minimum)	°F	115 DB / -40* DB
Refrigerant	Type	R410A	
	Charge	Lbs, oz	7 lbs, 11 oz
Piping	Gas Pipe Size O.D. (Flared)	In.(mm)	5/8 (15.88)
	Liquid Pipe Size O.D. (Flared)	In.(mm)	3/8 (9.52)
	Maximum Piping Length	Ft. (m)	225 (69)
	Maximum Height Difference	Ft. (m)	100 (30)
	Maximum Number of Bends	15	

SPECIFICATIONS: PCA-A24KA7 & PUY-A24NHA7(-BS)

Notes

AHRI Rated Conditions (Rated data is determined at a fixed compressor speed)	¹ Cooling (Indoor // Outdoor)	°F	80 DB, 67 WB // 95 DB, 75 WB
<p>*Wind baffles required to operate below 23F DB in cooling mode. For PUY models, wind baffles can be utilized to extend the cooling operation range to -40F. Please refer to the wind baffle submittals to determine which baffles are required to meet the desired operation range.</p> <p>**System cuts out in heating mode to avoid thermistor error and automatically restarts at these temperatures.</p>			
<p>SEACOAST PROTECTION</p> <ul style="list-style-type: none"> External Outer Panel: Phosphate coating + Acrylic-Enamel coating Fan Motor Support: Epoxy resin coating (at edge face) Separator Assembly; Valve Bed: Epoxy resin coating (at edge face) “Blue Fin” treatment is an anti-corrosion treatment that is applied to the condenser coil to protect it against airborne contaminants. 			

ACCESSORIES: PCA-A24KA7

High Efficiency (MERV 8) Filter Element	□ PAC-SE81KF-E
High-efficiency Filter Element	□ PAC-SH89KF-E
Signal Receiver	□ PAR-SA9CA-E
Wireless Remote Controller	□ PAR-FL32MA-E
Wireless Remote Receiver	□ PAR-FA32MA-E
Controller Kit (Sender & Receiver)	□ PAR-SL93B-E
Controller Kit with i-see Sensor	□ PAR-SA92MW-E
Backlit, Wall-mounted, Wireless Controller	□ MHK1
Portable Central Controller	□ MCCH1
Wired MA Controller	□ PAR-33MAA
Simple MA Controller	□ PAC-YT53CRAU
Touch MA Controller	□ PAR-CT01MAU-SB
Lockdown Bracket for Wireless, Hand-held, Remote Controller	□ RCMKP1CB
Wireless Temperature and Humidity Sensor	□ PAC-USWHS003-TH-1
Outside Air Sensor for MHK1	□ MOS1
Flush Mount Remote Temperature Sensor	□ PAC-USSEN001-FM-1
Wireless Interface	□ PAC-USWHS002-WF-1
Thermostat Interface	□ PAC-US444CN-1
kumo station®	□ PAC-WHS01HC-E
USNAP Interface	□ PAC-WHS01UP-E
IT Extender	□ PAC-WHS01IE-E
BACnet® and MODBUS® Interface	□ PAC-UKPRC001-CN-1
External Fan / Heater Control Relay Adapter	□ CN24RELAY-KIT-CM3
Remote Operation Adapter (with wire terminals for remote ON/OFF and operation status/ error) ¹	□ PAC-SF40RM-E
i-see Sensor™	□ PAC-SH91MK-E
External Drain Pump	□ PAC-SH84DM-E
Blue Diamond Sensor Extension Cable—15 Ft.	□ C13-103
MegaBlue Advanced Blue Diamond Condensate Pump w/ Reservoir & Sensor	□ X87-835 - 110 to 250V
MaxiBlue Advanced Blue Diamond Mini Condensate Pump w/ Reservoir & Sensor (208/230V) up to 48,000 Btu/h [recommended]	□ X87-721 - 208/230V
Drain Pan Level Sensor (Control for indoor unit shut off to prevent drain pan overflow)	□ DPLS2
3 Pole Disconnect Switch (30A/600VUL) [fits 2"X4" utility] - Black	□ TAZ-MS303
3 Pole Disconnect Switch (30A/600VUL) [fits 2"X4" utility] - White	□ TAZ-MS303W

¹ Unable to use with wireless remote controller

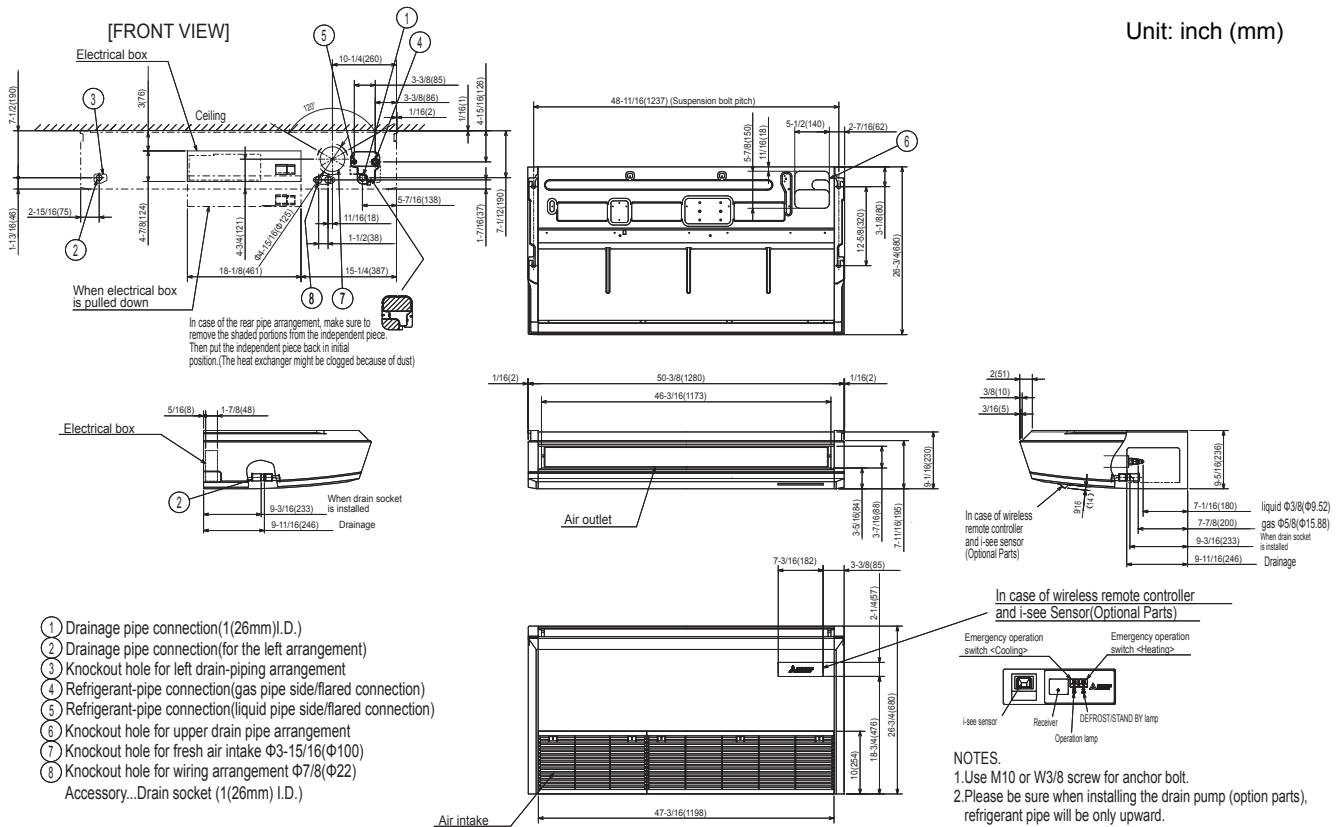
ACCESSORIES: PUY-A24NHA7(-BS)

Twining Distribution Pipe (50:50)	□ MSDD-50TR-E
Air Outlet Guide	□ PAC-SG59SG-E
Front Wind Baffle	□ WB-PA5
Side Advanced Wind Baffle	□ WB-SD5
Rear Advanced Wind Baffle	□ WB-RE5
Drain Socket	□ PAC-SG61DS-E
Centralized Drain Pan	□ PAC-SG64DP-E
M-NET Converter	□ PAC-SF83MA-E
M-NET Converter	□ PAC-SJ95MA-E
Control/Service Tool	□ PAC-SK52ST
Hail Guard	□ HG-A6
Condensing Unit Mounting Pad 24" x 42" x 3"	□ ULTRILITE2
Outdoor Unit Stand—12" High	□ QSMS1201M
Outdoor Unit Stand—18" High	□ QSMS1801M
Outdoor Unit Stand—24" High	□ QSMS2401M
Heavy Duty Wall Mounting Bracket for Outdoor Units—Coated Steel	□ QSWB2000M-1
Heavy Duty Wall Mounting Bracket for Outdoor Units—316 Series Stainless Steel	□ QSWBSS
3/8" x 5/8" x 10' / 1/2" Lineset (Twin-Tube Insulation)	□ MPLS385812T-10
3/8" x 5/8" x 15' / 1/2" Lineset (Twin-Tube Insulation)	□ MPLS385812T-15
3/8" x 5/8" x 30' / 1/2" Lineset (Twin-Tube Insulation)	□ MPLS385812T-30
3/8" x 5/8" x 50' / 1/2" Lineset (Twin-Tube Insulation)	□ MPLS385812T-50
3/8" x 5/8" x 65' / 1/2" Lineset (Twin-Tube Insulation)	□ MPLS385812T-65
3/8" x 5/8" x 100' / 1/2" Lineset (Twin-Tube Insulation)	□ MPLS385812T-100

DIMENSIONS: PCA-A24KA7 & PUY-A24NHA7 (-BS)

PCA-A24KA7

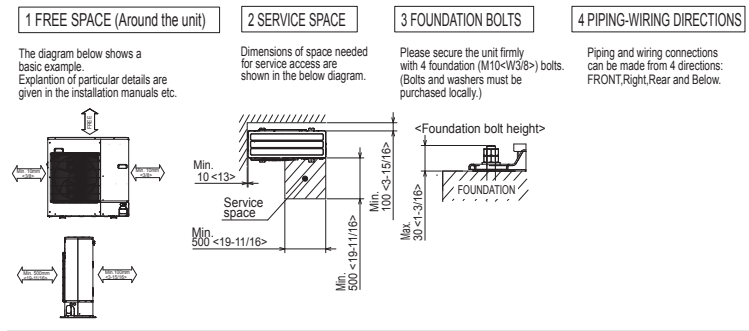
Unit: inch (mm)



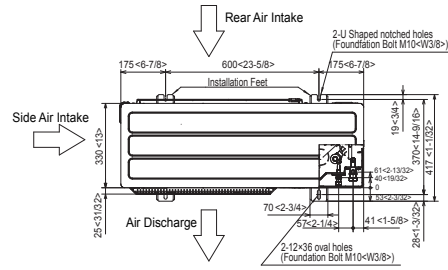
- ① Drainage pipe connection (1(26mm) I.D.)
 - ② Drainage pipe connection (for the left arrangement)
 - ③ Knockout hole for left drain-piping arrangement
 - ④ Refrigerant-pipe connection (gas pipe side/flared connection)
 - ⑤ Refrigerant-pipe connection (liquid pipe side/flared connection)
 - ⑥ Knockout hole for upper drain pipe arrangement
 - ⑦ Knockout hole for fresh air intake $\Phi 3-15/16$ ($\Phi 100$)
 - ⑧ Knockout hole for wiring arrangement $\Phi 7/8$ ($\Phi 22$)
- Accessory... Drain socket (1(26mm) I.D.)

DIMENSIONS: PCA-A24KA7 & PUY-A24NHA7 (-BS)

PUY-A24NHA7(-BS)

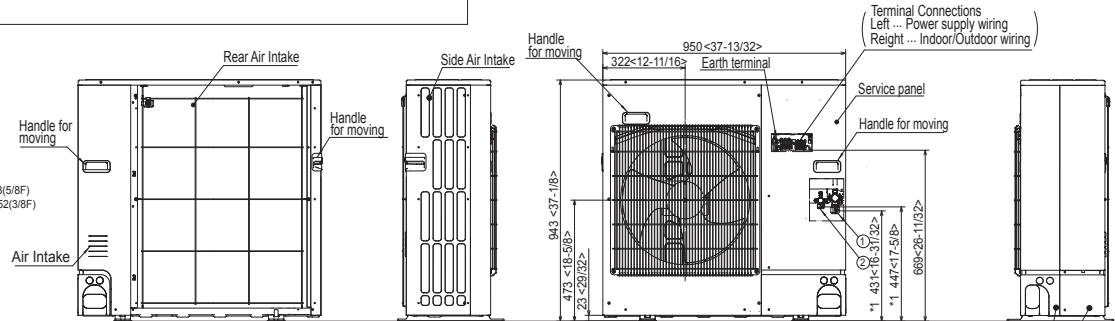


Unit: mm<in>

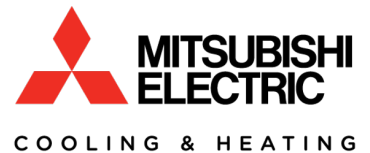
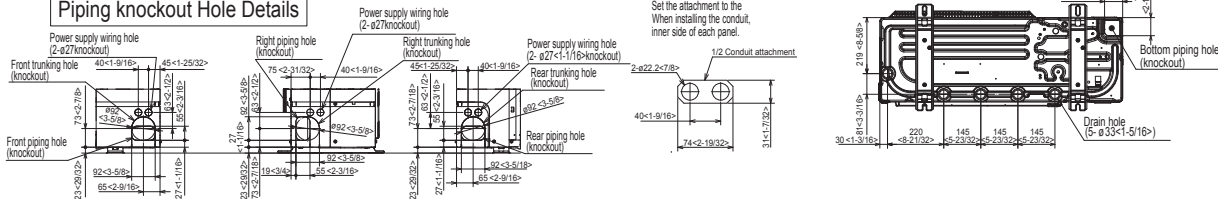


Example of Notes

- ① ... Refrigerant GAS pipe connection (FLARE) $\phi 15.88(5/8)$ F
- ② ... Refrigerant LIQUID pipe connection (FLARE) $\phi 9.52(3/8)$ F
- *1... Indication of STOP VALVE connection location.



Piping knockout Hole Details



1340 Satellite Boulevard, Suwanee, GA 30024
Toll Free: 800-433-4822 www.mehvac.com

