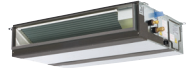


Job Name: _____

System Reference: _____ Date: _____



Indoor Unit: PEAD-A42AA5



Outdoor Unit: PUZ-HA42NKA

ACCESSORIES:

Indoor Unit

- Condensate Pump (BlueDiamond X87-711/721; 115/230V)
- Condensate Pump (Sauermann SI30-115/230; 115/230V)
- Filter Box & MERV 13 Filter (FBM2-4)
- Humidifier Control Relay (PAC-740)

Outdoor Unit

- Air Outlet Guide (PAC-SG59SG-E [x2])
 - Wind Baffle (WB-PA3 [x2])
- *Allows operation to 0° F (-18° C).
- Mounting Base (QSMS1202)
 - Wall Bracket (QSWB2000M-1)

Controls

- Wireless Controller (MHK1)
- Advanced Wired Controller (PAR-31MAA)
- Simple Wired Controller (PAC-YT53CRAU)
- M-NET Adapter (PAC-SF83MA-E)
- Temperature Sensor (PAC-SE41TS)

SPECIFICATIONS:

Rated Conditions (Capacity / Input)*		
Cooling	Btu/h / W	42,000 / 4,200
Heating at 47° F	Btu/h / W	48,000 / 3,800
Heating at 17° F	Btu/h / W	43,000 / 4,850

* Rating Conditions per AHRI Standard:
 Cooling | Indoor: 80° F (27° C)DB / 67° F (19° C)WB; Outdoor: 95° F (35° C)DB / 75° F (24° C)WB
 Heating at 47° F | Indoor: 70° F (21° C)DB / 60° F (16° C)WB; Outdoor: 47° F (8° C)DB / 43° F (6° C)WB
 Heating at 17° F | Indoor: 70° F (21° C)DB / 60° F (16° C)WB; Outdoor: 17° F (-8° C)DB / 15° F (-9° C)WB

Capacity Range		
Cooling	Btu/h	19,000 - 42,000
Heating at 47° F	Btu/h	21,000 - 54,000

Operating Range	
Cooling	0° F** to 115° F (-18° C to 46° C) DB
Heating	-13° F to 70° F (-25° C to 21° C) DB

** With optional wind baffle accessory installed. If not installed, the min. temp. will be 23° F (-5° C) DB.

AHRI Efficiency Ratings	
EER	10.0
SEER	14.3
HSPF	10.8
COP at 47° F	3.70
COP at 17° F	2.60

Electrical Power Requirements	208 / 230V, 1-Phase, 60 Hz
-------------------------------	----------------------------

Minimum Circuit Ampacity (MCA)		
Indoor / Outdoor	A	3.30 / 37

Indoor Unit		
Blower Motor (ECM)	F.L.A.	2.64
Blower Motor Output	W	244
SHF / Moisture Removal		0.76 / 9.0 pt./h
External Static Pressure	In. WG	0.14-0.20-0.28-0.40-0.60
Drain Lift Mechanism (Included)	H: In.	27-9/16

Outdoor Unit		
Compressor		INVERTER
Fan Motor (ECM)	F.L.A.	0.4+0.4
MOCP	A	44

Airflow Rate (Low-Mid-Hi)			
Indoor (Cooling)	DRY	CFM	847-1,024-1,201
	WET		777-953-1,130
Outdoor	DRY		3,320

Sound Pressure Level			
Indoor (Low-Mid-Hi)		dB(A)	33-38-42
Outdoor	Cooling		49
	Heating	51	

External Dimensions		
Indoor (H x W x D)	In.(mm)	9-7/8 x 55-1/8 x 28-7/8 (250 x 1,400 x 732)
Outdoor (H x W x D)		52-11/16 x 41-5/16 x 13 + 1-3/16 (1,338 x 800 x 330 + 30)

Net Weight		
Indoor	Lbs.(kg)	91 (41)
Outdoor		287 (130)

External Finish	
Indoor	Galvanized-steel Sheet
Outdoor	Munsell No. 3Y 7.8 / 1.1

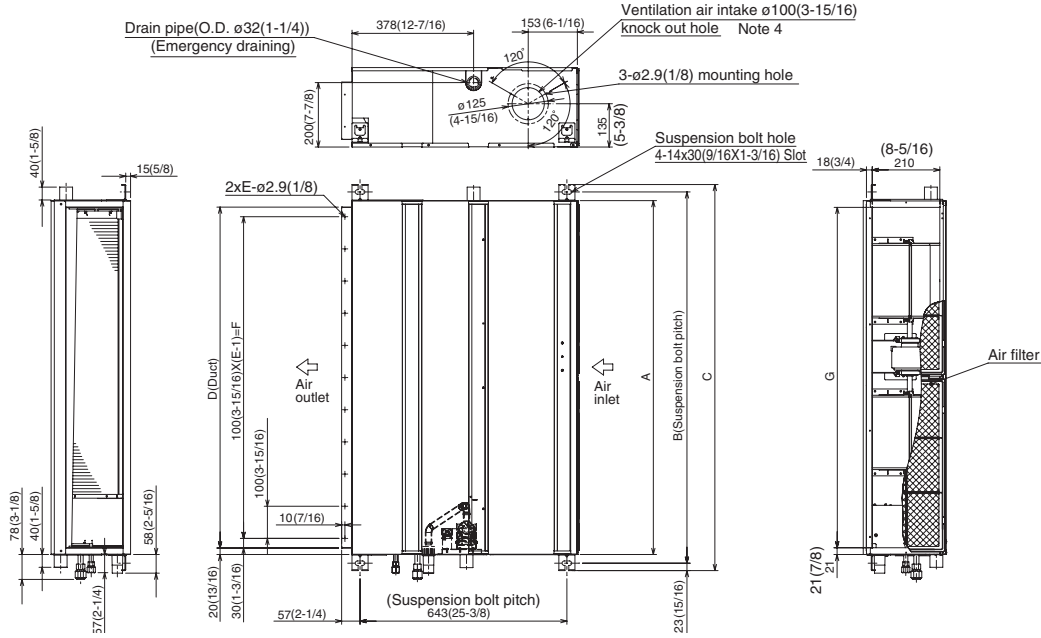
Refrigerant	R410A ; 13lbs. 4oz.
-------------	---------------------

Refrigerant Piping (Flared)		
Liquid (High Pressure)	In.(mm)	3/8 (9.52)
Gas (Low Pressure)		5/8 (15.88)
Maximum Total Refrigerant Pipe Length	Ft. (m)	245 (75)
Maximum Vertical Separation	Ft. (m)	100 (30)

DIMENSIONS: PEAD-A42AA5 & PUZ-HA42NKA

PEAD-A42AA5

Unit: mm (inch)

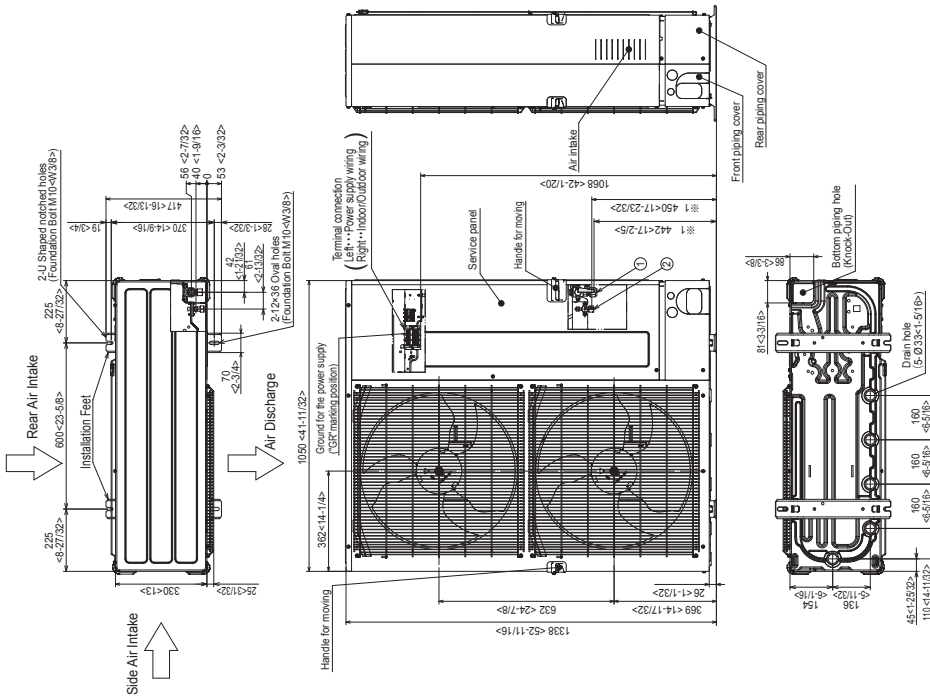


Model	A	B	C	D	E	F	G	H	J	K	L	M	N	① Gas pipe	② Liquid pipe
PEAD-A24, 30AA4	1100 (43-5/16)	1154 (45-7/16)	1200 (47-1/4)	1060 (41-3/4)	11	1000 (39-3/8)	1058 (41-11/16)	1200 (47-1/4)	49 (1-15/16)	330 (13)	4	990 (39)	10	ø15.88 (5/8)	ø9.52 (3/8)
PEAD-A36, 42AA4	1400 (55-1/8)	1454 (57-1/4)	1500 (59-1/16)	1360 (53-9/16)	14	1300 (51-3/16)	1358 (53-1/2)	1500 (59-1/16)	54 (2-3/16)	320 (12-5/8)	5	1280 (50-7/16)	12		

- NOTE 1. Use M10 screw for the Suspension bolt (field supply).
 2. Keep the service space for the maintenance at the bottom.
 3. This chart indicates for PEAD-A24-30-36-42AA4 models, which have 2 fans.
 4. In case of the inlet duct is used, remove the air filter (supplied with the unit), then install a filter (field supplied) at suction side.

PUZ-HA42NKA

Unit: mm<inch>



COOLING & HEATING

1340 Satellite Boulevard, Suwanee, GA 30024
 Toll Free: 800-433-4822 www.mehvac.com

