

# MSZ-FS06NA 6,000 BTU/H DELUXE WALL MOUNT



Job Name:

System Reference:

Date:



### GENERAL FEATURES

- Slim wall-mounted indoor units provide zone comfort control
- Dual Barrier Coating applied to the heat exchanger, vanes and fan to prevent hydrophilic and hydrophobic dirt build-up
- Multiple fan speed options: Quiet, Low, Medium, High, Super-high, Auto
- 3D i-see Sensor® enables advance features:
  - Indirect or Direct Airflow for personalized comfort
  - Absence Detection for energy-saving mode
  - Double Vane features:
    - Separates airflow to deliver air across a large area
    - Simultaneously deliver to air separate sections of a room
    - Generates more comfortable natural airflow pattern
- Multiple control options available:
  - Back-lit screen handheld remote controller (provided with unit)
  - kumo cloud® smart device app for remote access
  - Third-party interface options
  - Wired or wireless controllers
- Triple-action Filtration: Nano Platinum Filter, Deodorizing Filter, & Electrostatic Anti-Allergy Enzyme Filter
- Hot-Start Technology: no cold air rush at equipment startup or when restarting after Defrost Cycle
- Quiet operation

| Specifications                  |                                     | System                                 |  |
|---------------------------------|-------------------------------------|--|--|
| Unit Type                       |                                     | MSZ-FS06NA                             |  |
| Cooling Capacity <sup>1,3</sup> |                                     | BTU/H                                  | 6,000  |
| Heating Capacity <sup>2,3</sup> |                                     | BTU/H                                  | 8,700  |
| Electrical                      | Voltage, Phase, Frequency           |  | 208/230, 1, 60   |
|                                 | Guaranteed Voltage Range            | V AC                                   | 187- 253V  |
|                                 | Voltage: Indoor - Outdoor, S1-S2    | V AC                                   | 208/230  |
|                                 | Voltage: Indoor - Outdoor, S2-S3    | V DC                                   | 24   |
|                                 | Short-circuit Current Rating [SCCR] | kA                                     | 5  |
| Indoor Unit                     | MCA                                 | A                                      | 1.0  |
|                                 | Fan Motor Full Load Amperage        | A                                      | 0.65   |
|                                 | Fan Motor Output                    | W                                      | 40   |
|                                 | Airflow Rate at Cooling, Dry        | CFM                                    | 137-167-221-304-381                                    |
|                                 | Airflow Rate at Cooling, Wet        | CFM                                    | 117-143-190-261-328                                    |
|                                 | Airflow Rate at Heating, Dry        | CFM                                    | 140-167-225-325-437                                    |
|                                 | Sound Pressure Level [Cooling]      | dB[A]                                  | 20-23-29-36-40   |
|                                 | Sound Pressure Level [Heating]      | dB[A]                                  | 20-24-29-39-42   |
|                                 | Drain Pipe Size                     | In. [mm]                               | 5/8 [15.88]  |
|                                 | Coating on Heat Exchanger           |  | Dual Barrier Coating                                   |
|                                 | External Finish Color               |  | Munsell 1.0Y 9.2/0.2                                   |
|                                 | Unit Dimensions                     | W x D x H: In. [mm]                    | 36-7/16 x 9-3/16 x 12 (+11/16) [925 x 234 x 305 (+17)] |
|                                 | Package Dimensions                  | W x D x H: In. [mm]                    | 39 x 12-1/4 x 15-1/2 [990 x 310 x 400]                 |
|                                 | Unit Weight                         | Lbs. [kg]                              | 29 [13.5]  |
| Package Weight                  | Lbs. [kg]                           | 39 x 12-1/4 x 15-1/2 [990 x 310 x 400] |  |
| Refrigerant                     | Type                                |  | R410A  |
| Piping                          | Gas Pipe Size O.D. [Flared]         | In. [mm]                               | 3/8 [6.35]   |
|                                 | Liquid Pipe Size O.D. [Flared]      | In. [mm]                               | 1/4 [6.35]   |

NOTES:  
Conditions

<sup>1</sup>Cooling (Indoor // Outdoor) °F 80 DB, 67 WB // 95 DB, 75 WB  
<sup>2</sup>Heating at 47°F (Indoor // Outdoor) °F 70 DB, 60 WB // 47 DB, 43 WB

<sup>3</sup>Capacity varies based on the number of indoor units operating and the model of the Multi-zone Outdoor Unit. For reference to connected capacity charts, please refer Multi-zone Outdoor Unit Operational Performance.:

## INDOOR UNIT ACCESSORIES: MSZ-FS06NA

|                            |   |                   |
|----------------------------|---|-------------------|
| Control Interface          | BACnet® and Modbus Interface  | PAC-UKPRC001-CN-1 |
|                            | CN24 Relay Kit  | CN24RELAY-KIT-CM3 |
|                            | IT Extender   | PAC-WHS01IE-E     |
|                            | kumo station® for kumo cloud®   | PAC-WHS01HC-E     |
|                            | Lockdown bracket for remote controller  | RCMKP1CB          |
|                            | System Control Interface  | MAC-334IF-E       |
|                            | Thermostat Interface  | PAC-US444CN-1     |
|                            | USNAP Adapter   | PAC-WHS01UP-E     |
| Remote Sensor              | Wireless Interface for kumo cloud®  | PAC-USWHS002-WF-2 |
|                            | Wired Remote Sensor   | M21EAA307         |
| Wired Remote Controller    | Wireless temperature and humidity sensor for kumo cloud®                                    | PAC-USWHS003-TH-1 |
|                            | Deluxe Wired MA Remote Controller†  | PAR-40MAAU        |
|                            | Simple MA Remote Controller†  | PAC-YT53CRAU-J    |
| Wireless Remote Controller | Touch MA Controller†  | PAR-CT01MAU-SB    |
|                            | kumo touch™ RedLINK™ Wireless Controller  | MHK2              |
| Condensate                 | Blue Diamond (MicroBlue) Mini Condensate Pump (110/208/230V) up to 18,000 BTU/H             | X85-003           |
|                            | Blue Diamond Alarm Extension Cable — 6.5 Ft.  | C13-192           |
|                            | Blue Diamond MultiTank — collection tank for use with multiple pumps                        | C21-014           |
|                            | Blue Diamond Sensor Extension Cable — 15 Ft.  | C13-103           |
|                            | Drain Pan Level Sensor/Control  | SS610E            |
|                            | Fascia Kit for MicroBlue Pump, mounts the MicroBlue and sensor directly beneath indoor unit | T18-016           |
|                            | Sauermann Condensate Pump   | SI30-230          |
| Disconnect Switch          | (30A/600V/UL) [fits 2" X 4" utility box] - Black  | TAZ-MS303         |
|                            | (30A/600V/UL) [fits 2" X 4" utility box] - White  | TAZ-MS303W        |
| Filter                     | Electro Static Anti-allergy Enzyme Filter   | MAC-2330FT-E      |
|                            | Platinum Deodorizing Filter   | MAC-3000FT-E      |
| Lineset                    | 15' x 1/4" x 15' / 3/8" Lineset (Twin-Tube Insulation)                                      | MLS143812T-15     |
|                            | 30' x 1/4" x 30' / 3/8" Lineset (Twin-Tube Insulation)                                      | MLS143812T-30     |
|                            | 50' x 1/4" x 50' / 3/8" Lineset (Twin-Tube Insulation)                                      | MLS143812T-50     |
|                            | 65' x 1/4" x 65' / 3/8" Lineset (Twin-Tube Insulation)                                      | MLS143812T-65     |

**NOTES:**

†Requires MAC-334IF-E

- EZ FIT® Recessed Ceiling Cassette, Floor-mount and Wall-mount  
Allows indoor units to connect to an MA Controller:
  - Deluxe MA Remote Controller
  - Simple MA Controller
  - Touch MA Controller

‡PAC-SF40RM-E (Unable to use with wireless remote controller)

- Ceiling Cassette, Ceiling Suspended, Horizontal-ducted and Multi-position Air Handler
- P-Series Ceiling Cassette, Ceiling Suspended, Horizontal-ducted and Multi-position Air Handler

# INDOOR UNIT DIMENSIONS: MSZ-FS06NA

**Unit: inch**



**(06/09/12 KBTU/H)**

|        |             |   |
|--------|-------------|---|
| Piping | Insulation  | ø1-7/16 O.D                               |
|        | Liquid line | ø1/4 19-11/16 (Flared connection ø1/4)    |
|        | Gas line    | ø3/8 16-15/16 (Flared connection ø3/8)    |
|        | Drain hose  | Insulation ø1-1/8 Connected part ø5/8 O.D |

**(15/18 KBTU/H)**

|        |             |   |
|--------|-------------|---|
| Piping | Insulation  | ø1-7/16 O.D                               |
|        | Liquid line | ø1/4 19-11/16 (Flared connection ø1/4)    |
|        | Gas line    | ø3/8 16-15/16 (Flared connection ø1/2)    |
|        | Drain hose  | Insulation ø1-1/8 Connected part ø5/8 O.D |



# MSZ-FS09NA 9,000 BTU/H DELUXE WALL MOUNT



Job Name:

System Reference:

Date:



### GENERAL FEATURES

- Slim wall-mounted indoor units provide zone comfort control
- Dual Barrier Coating applied to the heat exchanger, vanes and fan to prevent hydrophilic and hydrophobic dirt build-up
- Multiple fan speed options: Quiet, Low, Medium, High, Super-high, Auto
- 3D i-see Sensor® enables advance features:
  - Indirect or Direct Airflow for personalized comfort
  - Absence Detection for energy-saving mode
  - Double Vane features:
    - Separates airflow to deliver air across a large area
    - Simultaneously deliver to air separate sections of a room
  - Generates more comfortable natural airflow pattern
- Multiple control options available:
  - Back-lit screen handheld remote controller (provided with unit)
  - kumo cloud® smart device app for remote access
  - Third-party interface options
  - Wired or wireless controllers
- Triple-action Filtration: Nano Platinum Filter, Deodorizing Filter, & Electrostatic Anti-Allergy Enzyme Filter
- Hot-Start Technology: no cold air rush at equipment startup or when restarting after Defrost Cycle
- Quiet operation

| Specifications                  |                                     | System                                 |  |
|---------------------------------|-------------------------------------|--|--|
| Unit Type                       |                                     | MSZ-FS09NA                             |  |
| Cooling Capacity <sup>1,3</sup> |                                     | BTU/H                                  | 9,000  |
| Heating Capacity <sup>2,3</sup> |                                     | BTU/H                                  | 9,600  |
| Electrical                      | Voltage, Phase, Frequency           |  | 208/230, 1, 60   |
|                                 | Guaranteed Voltage Range            | V AC                                   | 187- 253V  |
|                                 | Voltage: Indoor - Outdoor, S1-S2    | V AC                                   | 208/230  |
|                                 | Voltage: Indoor - Outdoor, S2-S3    | V DC                                   | 24   |
|                                 | Short-circuit Current Rating [SCCR] | kA                                     | 5  |
| Indoor Unit                     | MCA                                 | A                                      | 1.0  |
|                                 | Fan Motor Full Load Amperage        | A                                      | 0.65   |
|                                 | Fan Motor Output                    | W                                      | 40   |
|                                 | Airflow Rate at Cooling, Dry        | CFM                                    | 137-167-221-304-381                                    |
|                                 | Airflow Rate at Cooling, Wet        | CFM                                    | 117-143-190-261-328                                    |
|                                 | Airflow Rate at Heating, Dry        | CFM                                    | 140-167-225-325-437                                    |
|                                 | Sound Pressure Level [Cooling]      | dB[A]                                  | 20-23-29-36-40   |
|                                 | Sound Pressure Level [Heating]      | dB[A]                                  | 20-24-29-39-42   |
|                                 | Drain Pipe Size                     | In. [mm]                               | 5/8 [15.88]  |
|                                 | Coating on Heat Exchanger           |  | Dual Barrier Coating                                   |
|                                 | External Finish Color               |  | Munsell 1.0Y 9.2/0.2                                   |
|                                 | Unit Dimensions                     | W x D x H: In. [mm]                    | 36-7/16 x 9-3/16 x 12 (+11/16) [925 x 234 x 305 (+17)] |
|                                 | Package Dimensions                  | W x D x H: In. [mm]                    | 39 x 12-1/4 x 15-1/2 [990 x 310 x 400]                 |
|                                 | Unit Weight                         | Lbs. [kg]                              | 29 [13.5]  |
| Package Weight                  | Lbs. [kg]                           | 39 x 12-1/4 x 15-1/2 [990 x 310 x 400] |  |
| Refrigerant                     | Type                                |  | R410A  |
| Piping                          | Gas Pipe Size O.D. [Flared]         | In. [mm]                               | 3/8 [6.35]   |
|                                 | Liquid Pipe Size O.D. [Flared]      | In. [mm]                               | 1/4 [6.35]   |

NOTES:  
Conditions

<sup>1</sup>Cooling (Indoor // Outdoor) °F 80 DB, 67 WB // 95 DB, 75 WB  
<sup>2</sup>Heating at 47°F (Indoor // Outdoor) °F 70 DB, 60 WB // 47 DB, 43 WB

<sup>3</sup>Capacity varies based on the number of indoor units operating and the model of the Multi-zone Outdoor Unit. For reference to connected capacity charts, please refer Multi-zone Outdoor Unit Operational Performance.:

## INDOOR UNIT ACCESSORIES: MSZ-FS09NA

|                            |   |                   |
|----------------------------|---|-------------------|
| Control Interface          | BACnet® and Modbus Interface  | PAC-UKPRC001-CN-1 |
|                            | CN24 Relay Kit  | CN24RELAY-KIT-CM3 |
|                            | IT Extender   | PAC-WHS01IE-E     |
|                            | kumo station® for kumo cloud®   | PAC-WHS01HC-E     |
|                            | Lockdown bracket for remote controller  | RCMKP1CB          |
|                            | System Control Interface  | MAC-334IF-E       |
|                            | Thermostat Interface  | PAC-US444CN-1     |
|                            | USNAP Adapter   | PAC-WHS01UP-E     |
| Remote Sensor              | Wireless Interface for kumo cloud®  | PAC-USWHS002-WF-2 |
|                            | Wired Remote Sensor   | M21EAA307         |
| Wired Remote Controller    | Wireless temperature and humidity sensor for kumo cloud®                                    | PAC-USWHS003-TH-1 |
|                            | Deluxe Wired MA Remote Controller†  | PAR-40MAAU        |
|                            | Simple MA Remote Controller†  | PAC-YT53CRAU-J    |
| Wireless Remote Controller | Touch MA Controller†  | PAR-CT01MAU-SB    |
|                            | kumo touch™ RedLINK™ Wireless Controller  | MHK2              |
| Condensate                 | Blue Diamond (MicroBlue) Mini Condensate Pump (110/208/230V) up to 18,000 BTU/H             | X85-003           |
|                            | Blue Diamond Alarm Extension Cable — 6.5 Ft.  | C13-192           |
|                            | Blue Diamond MultiTank — collection tank for use with multiple pumps                        | C21-014           |
|                            | Blue Diamond Sensor Extension Cable — 15 Ft.  | C13-103           |
|                            | Drain Pan Level Sensor/Control  | SS610E            |
|                            | Fascia Kit for MicroBlue Pump, mounts the MicroBlue and sensor directly beneath indoor unit | T18-016           |
|                            | Sauermann Condensate Pump   | SI30-230          |
| Disconnect Switch          | (30A/600V/UL) [fits 2" X 4" utility box] - Black  | TAZ-MS303         |
|                            | (30A/600V/UL) [fits 2" X 4" utility box] - White  | TAZ-MS303W        |
| Filter                     | Electro Static Anti-allergy Enzyme Filter   | MAC-2330FT-E      |
|                            | Platinum Deodorizing Filter   | MAC-3000FT-E      |
| Lineset                    | 15' x 1/4" x 15' / 3/8" Lineset (Twin-Tube Insulation)                                      | MLS143812T-15     |
|                            | 30' x 1/4" x 30' / 3/8" Lineset (Twin-Tube Insulation)                                      | MLS143812T-30     |
|                            | 50' x 1/4" x 50' / 3/8" Lineset (Twin-Tube Insulation)                                      | MLS143812T-50     |
|                            | 65' x 1/4" x 65' / 3/8" Lineset (Twin-Tube Insulation)                                      | MLS143812T-65     |

**NOTES:**

†Requires MAC-334IF-E

- EZ FIT® Recessed Ceiling Cassette, Floor-mount and Wall-mount  
Allows indoor units to connect to an MA Controller:
  - Deluxe MA Remote Controller
  - Simple MA Controller
  - Touch MA Controller

‡PAC-SF40RM-E (Unable to use with wireless remote controller)

- Ceiling Cassette, Ceiling Suspended, Horizontal-ducted and Multi-position Air Handler
- P-Series Ceiling Cassette, Ceiling Suspended, Horizontal-ducted and Multi-position Air Handler

# INDOOR UNIT DIMENSIONS: MSZ-FS09NA

**Unit: inch**



**(06/09/12 KBTU/H)**

|            |             |  |
|------------|-------------|--|
| Piping     | Insulation  | ø1-7/16 O.D                            |
|            | Liquid line | ø1/4 19-11/16 (Flared connection ø1/4) |
|            | Gas line    | ø3/8 16-15/16 (Flared connection ø3/8) |
| Drain hose | Insulation  | ø1-1/8 Connected part ø5/8 O.D         |

**(15/18 KBTU/H)**

|            |             |  |
|------------|-------------|--|
| Piping     | Insulation  | ø1-7/16 O.D                            |
|            | Liquid line | ø1/4 19-11/16 (Flared connection ø1/4) |
|            | Gas line    | ø3/8 16-15/16 (Flared connection ø1/2) |
| Drain hose | Insulation  | ø1-1/8 Connected part ø5/8 O.D         |

1340 Satellite Boulevard Suwanee, GA 30024  
Toll Free: 800-433-4822 www.mehvac.com

FORM# MSZ-FS09NA-U1 - 202101



# MSZ-FS12NA 12,000 BTU/H DELUXE WALL MOUNT



Job Name:

System Reference:

Date:



### GENERAL FEATURES

- Slim wall-mounted indoor units provide zone comfort control
- Dual Barrier Coating applied to the heat exchanger, vanes and fan to prevent hydrophilic and hydrophobic dirt build-up
- Multiple fan speed options: Quiet, Low, Medium, High, Super-high, Auto
- 3D i-see Sensor® enables advance features:
  - Indirect or Direct Airflow for personalized comfort
  - Absence Detection for energy-saving mode
  - Double Vane features:
    - Separates airflow to deliver air across a large area
    - Simultaneously deliver to air separate sections of a room
    - Generates more comfortable natural airflow pattern
- Multiple control options available:
  - Back-lit screen handheld remote controller (provided with unit)
  - kumo cloud® smart device app for remote access
  - Third-party interface options
  - Wired or wireless controllers
- Triple-action Filtration: Nano Platinum Filter, Deodorizing Filter, & Electrostatic Anti-Allergy Enzyme Filter
- Hot-Start Technology: no cold air rush at equipment startup or when restarting after Defrost Cycle
- Quiet operation

| Specifications                  |                                     | System                                 |  |
|---------------------------------|-------------------------------------|--|--|
| Unit Type                       |                                     | MSZ-FS12NA                             |  |
| Cooling Capacity <sup>1,3</sup> |                                     | BTU/H                                  | 12,000   |
| Heating Capacity <sup>2,3</sup> |                                     | BTU/H                                  | 12,300   |
| Electrical                      | Voltage, Phase, Frequency           |  | 208/230, 1, 60   |
|                                 | Guaranteed Voltage Range            | V AC                                   | 187- 253V  |
|                                 | Voltage: Indoor - Outdoor, S1-S2    | V AC                                   | 208/230  |
|                                 | Voltage: Indoor - Outdoor, S2-S3    | V DC                                   | 24   |
|                                 | Short-circuit Current Rating [SCCR] | kA                                     | 5  |
| Indoor Unit                     | MCA                                 | A                                      | 1.0  |
|                                 | Fan Motor Full Load Amperage        | A                                      | 0.65   |
|                                 | Fan Motor Output                    | W                                      | 40   |
|                                 | Airflow Rate at Cooling, Dry        | CFM                                    | 137-226-221-304-424                                    |
|                                 | Airflow Rate at Cooling, Wet        | CFM                                    | 117-143-190-261-364                                    |
|                                 | Airflow Rate at Heating, Dry        | CFM                                    | 155-226-282-367-454                                    |
|                                 | Sound Pressure Level [Cooling]      | dB[A]                                  | 21-24-29-36-44   |
|                                 | Sound Pressure Level [Heating]      | dB[A]                                  | 21-28-32-38-43   |
|                                 | Drain Pipe Size                     | In. [mm]                               | 5/8 [15.88]  |
|                                 | Coating on Heat Exchanger           |  | Dual Barrier Coating                                   |
|                                 | External Finish Color               |  | Munsell 1.0Y 9.2/0.2                                   |
|                                 | Unit Dimensions                     | W x D x H: In. [mm]                    | 36-7/16 x 9-3/16 x 12 (+11/16) [925 x 234 x 305 (+17)] |
|                                 | Package Dimensions                  | W x D x H: In. [mm]                    | 39 x 12-1/4 x 15-1/2 [990 x 310 x 400]                 |
| Unit Weight                     | Lbs. [kg]                           | 29 [13.5]                              |  |
| Package Weight                  | Lbs. [kg]                           | 39 x 12-1/4 x 15-1/2 [990 x 310 x 400] |  |
| Refrigerant                     | Type                                |  | R410A  |
| Piping                          | Gas Pipe Size O.D. [Flared]         | In. [mm]                               | 3/8 [6.35]   |
|                                 | Liquid Pipe Size O.D. [Flared]      | In. [mm]                               | 1/4 [6.35]   |

NOTES:  
Conditions

<sup>1</sup>Cooling (Indoor // Outdoor) °F 80 DB, 67 WB // 95 DB, 75 WB  
<sup>2</sup>Heating at 47°F (Indoor // Outdoor) °F 70 DB, 60 WB // 47 DB, 43 WB

<sup>3</sup>Capacity varies based on the number of indoor units operating and the model of the Multi-zone Outdoor Unit. For reference to connected capacity charts, please refer Multi-zone Outdoor Unit Operational Performance.:

## INDOOR UNIT ACCESSORIES: MSZ-FS12NA

|                            |   |                   |
|----------------------------|---|-------------------|
| Control Interface          | BACnet® and Modbus Interface  | PAC-UKPRC001-CN-1 |
|                            | CN24 Relay Kit  | CN24RELAY-KIT-CM3 |
|                            | IT Extender   | PAC-WHS01IE-E     |
|                            | kumo station® for kumo cloud®   | PAC-WHS01HC-E     |
|                            | Lockdown bracket for remote controller  | RCMKP1CB          |
|                            | System Control Interface  | MAC-334IF-E       |
|                            | Thermostat Interface  | PAC-US444CN-1     |
|                            | USNAP Adapter   | PAC-WHS01UP-E     |
| Remote Sensor              | Wireless Interface for kumo cloud®  | PAC-USWHS002-WF-2 |
|                            | Wired Remote Sensor   | M21EAA307         |
| Wired Remote Controller    | Wireless temperature and humidity sensor for kumo cloud®                                    | PAC-USWHS003-TH-1 |
|                            | Deluxe Wired MA Remote Controller†  | PAR-40MAAU        |
|                            | Simple MA Remote Controller†  | PAC-YT53CRAU-J    |
| Wireless Remote Controller | Touch MA Controller†  | PAR-CT01MAU-SB    |
|                            | kumo touch™ RedLINK™ Wireless Controller  | MHK2              |
| Condensate                 | Blue Diamond (MicroBlue) Mini Condensate Pump (110/208/230V) up to 18,000 BTU/H             | X85-003           |
|                            | Blue Diamond Alarm Extension Cable — 6.5 Ft.  | C13-192           |
|                            | Blue Diamond MultiTank — collection tank for use with multiple pumps                        | C21-014           |
|                            | Blue Diamond Sensor Extension Cable — 15 Ft.  | C13-103           |
|                            | Drain Pan Level Sensor/Control  | SS610E            |
|                            | Fascia Kit for MicroBlue Pump, mounts the MicroBlue and sensor directly beneath indoor unit | T18-016           |
|                            | Sauermann Condensate Pump   | SI30-230          |
| Disconnect Switch          | (30A/600V/UL) [fits 2" X 4" utility box] - Black  | TAZ-MS303         |
|                            | (30A/600V/UL) [fits 2" X 4" utility box] - White  | TAZ-MS303W        |
| Filter                     | Electro Static Anti-allergy Enzyme Filter   | MAC-2330FT-E      |
|                            | Platinum Deodorizing Filter   | MAC-3000FT-E      |
| Lineset                    | 15' x 1/4" x 15' / 1/2" Lineset (Twin-Tube Insulation)                                      | MLS141212T-15     |
|                            | 30' x 1/4" x 30' / 1/2" Lineset (Twin-Tube Insulation)                                      | MLS141212T-30     |
|                            | 50' x 1/4" x 50' / 1/2" Lineset (Twin-Tube Insulation)                                      | MLS141212T-50     |
|                            | 65' x 1/4" x 65' / 1/2" Lineset (Twin-Tube Insulation)                                      | MLS141212T-65     |

**NOTES:**

†Requires MAC-334IF-E

- EZ FIT® Recessed Ceiling Cassette, Floor-mount and Wall-mount  
Allows indoor units to connect to an MA Controller:
  - Deluxe MA Remote Controller
  - Simple MA Controller
  - Touch MA Controller

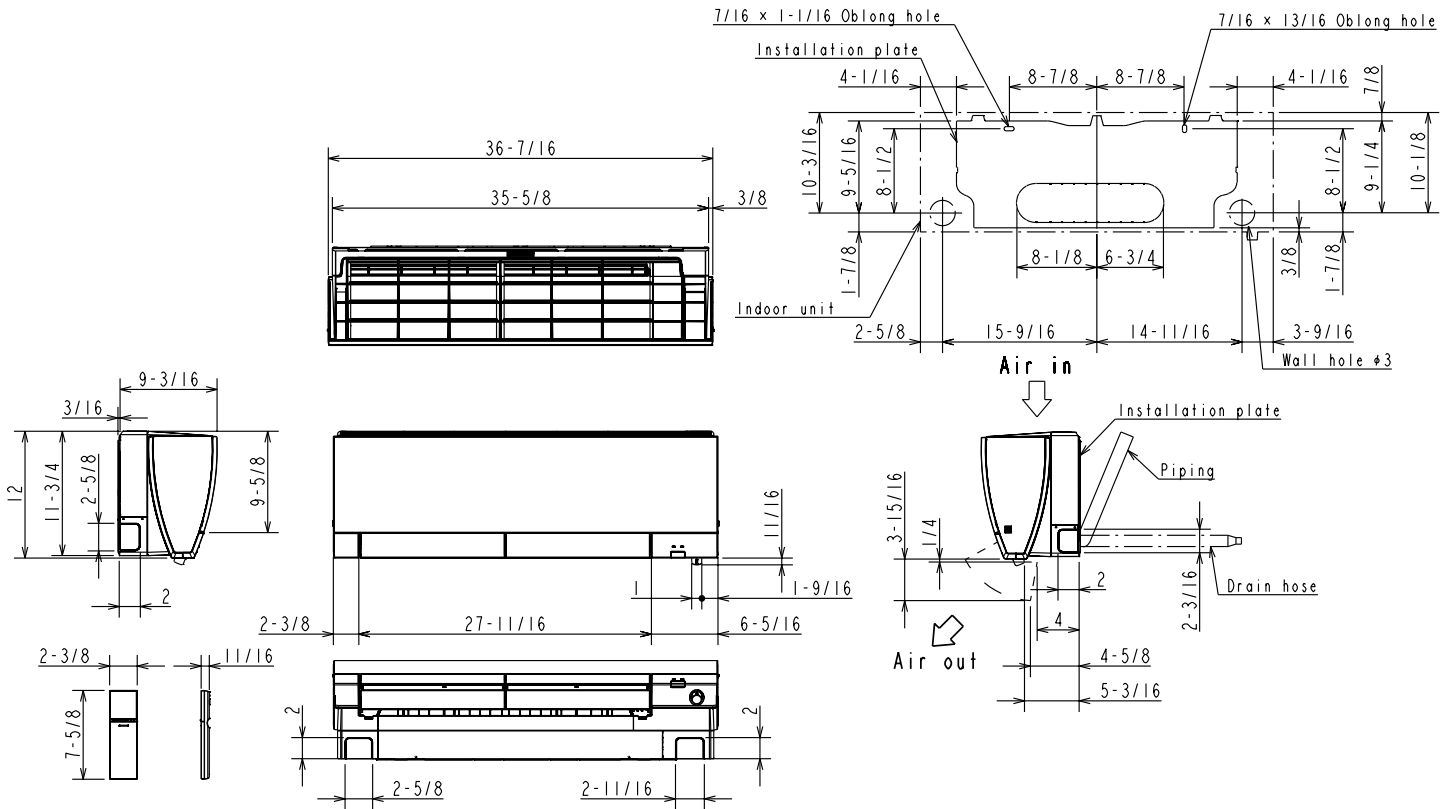
\*PAC-SF40RM-E (Unable to use with wireless remote controller)

- Ceiling Cassette, Ceiling Suspended, Horizontal-ducted and Multi-position Air Handler
- P-Series Ceiling Cassette, Ceiling Suspended, Horizontal-ducted and Multi-position Air Handler



# INDOOR UNIT DIMENSIONS: MSZ-FS12NA

Unit: inch



## (06/09/12 KBTU/H)

|        |             |   |
|--------|-------------|---|
| Piping | Insulation  | ø1-7/16 O.D                               |
|        | Liquid line | ø1/4 19-11/16 (Flared connection ø1/4)    |
|        | Gas line    | ø3/8 16-15/16 (Flared connection ø3/8)    |
|        | Drain hose  | Insulation ø1-1/8 Connected part ø5/8 O.D |

## (15/18 KBTU/H)

|        |             |   |
|--------|-------------|---|
| Piping | Insulation  | ø1-7/16 O.D                               |
|        | Liquid line | ø1/4 19-11/16 (Flared connection ø1/4)    |
|        | Gas line    | ø3/8 16-15/16 (Flared connection ø1/2)    |
|        | Drain hose  | Insulation ø1-1/8 Connected part ø5/8 O.D |

1340 Satellite Boulevard Suwanee, GA 30024  
Toll Free: 800-433-4822 www.mehvac.com

FORM# MSZ-FS12NA-U1 - 202101



# MXZ-4C36NA3 3-TON MULTI-ZONE INVERTER HEAT-PUMP SYSTEM



Job Name:

System Reference:

Date:



## FEATURES

- Variable speed INVERTER-driven compressor
- Optional base pan heater
- Quiet outdoor unit operation as low as 54 dB(A)
- High pressure protection
- Compressor thermal protection
- Compressor overcurrent detection
- Fan motor overheating/voltage protection

# SPECIFICATIONS: MXZ-4C36NA3

|  |  |                           |  |                  |
|--|--|---------------------------|--|------------------|
| Cooling <sup>1</sup> (Non-Ducted // Mix // Ducted)         | Maximum Capacity   | BTU/H                     | 36,400 // 36,400 // 36,400             |                  |
|  | Rated Capacity   | BTU/H                     | 35,400 // 34,900 // 34,400             |                  |
|  | Minimum Capacity   | BTU/H                     | 11,700 // 11,500 // 11,300             |                  |
|  | Maximum Power Input  | W                         | 3,960 // 3,960 // 3,960                |                  |
|  | Rated Power Input  | W                         | 3,760 // 3,850 // 3,940                |                  |
|  | Power Factor (208V, 230V)                                  | %                         | 99.0, 99.0 // 99.0, 99.0 // 99.0, 99.0 |                  |
| Heating at 47°F <sup>2</sup> (Non-Ducted // Mix // Ducted) | Maximum Capacity   | BTU/H                     | 43,000 // 43,000 // 43,000             |                  |
|  | Rated Capacity   | BTU/H                     | 36,000 // 35,200 // 34,400             |                  |
|  | Minimum Capacity   | BTU/H                     | 18,300 // 18,800 // 19,300             |                  |
|  | Maximum Power Input  | W                         | 4,020 // 4,020 // 4,020                |                  |
|  | Rated Power Input  | W                         | 3,020 // 3,060 // 3,100                |                  |
|  | Power Factor (208V, 230V)                                  | %                         | 98.7, 98.7 // 98.8, 98.8 // 98.8, 98.8 |                  |
| Heating at 17°F <sup>3</sup> (Non-Ducted // Mix // Ducted) | Maximum Capacity   | BTU/H                     | 26,600 // 26,600 // 26,600             |                  |
|  | Rated Capacity   | BTU/H                     | 22,400 // 22,400 // 22,400             |                  |
|  | Maximum Power Input  | W                         | 3,440 // 3,490 // 3,540                |                  |
|  | Rated Power Input  | W                         | 2,300 // 2,470 // 2,640                |                  |
| Heating at 5°F <sup>4</sup> (Non-Ducted // Mix // Ducted)  | Maximum Capacity   | BTU/H                     | 24,000 // 24,000 // 24,000             |                  |
|  | Maximum Power Input  | W                         | 3,320 // 3,280 // 3,240                |                  |
| Efficiency (Non-Ducted // Mix // Ducted)                   | SEER   |                           | 19.2 // 17.6 // 16.0                   |                  |
|  | EER <sup>1</sup>   |                           | 9.41 // 9.07 // 8.73                   |                  |
|  | HSPF (IV)  |                           | 11.0 // 10.4 // 9.8                    |                  |
|  | COP at 47°F <sup>2</sup>                                   |                           | 3.5 // 3.37 // 3.25                    |                  |
|  | COP at 17°F at Maximum Capacity <sup>3</sup>               |                           | 2.27 // 2.24 // 2.2                    |                  |
|  | COP at 5°F at Maximum Capacity <sup>4</sup>                |                           | 2.12 // 2.14 // 2.17                   |                  |
|  | ENERGY STAR® Certified                                     |                           | No // No // No                         |                  |
| Electrical   | Electrical Power Requirements                              | Voltage, Phase, Frequency | 208/230, 1, 60                         |                  |
|  | Guaranteed Voltage Range                                   | V AC                      | 187-253                                |                  |
|  | Voltage: Indoor - Outdoor, S1-S2                           | V AC                      | 208/230                                |                  |
|  | Voltage: Indoor - Outdoor, S2-S3                           | V DC                      | 24                                     |                  |
|  | Short-circuit Current Rating (SCCR)                        | kA                        | 5                                      |                  |
|  | Recommended Fuse/Breaker Size                              | A                         | 25                                     |                  |
|  | Recommended Wire Size                                      | AWG                       | 14                                     |                  |
|  | Minimum Circuit Ampacity                                   | A                         | 23.1                                   |                  |
|  | Maximum Overcurrent Protection                             | A                         | 25                                     |                  |
|  | Fan Motor Full Load Amperage                               | A                         | 2.43                                   |                  |
| Outdoor unit   | Airflow Rate (Cooling / Heating)                           | CFM                       | 2,287 / 2,382                          |                  |
|  | Refrigerant Control  |                           | LEV                                    |                  |
|  | Defrost Method   |                           | Reverse Cycle                          |                  |
|  | Heat Exchanger Type  |                           | Plate fin coil                         |                  |
|  | Sound Pressure Level, Cooling <sup>1</sup>                 | dB(A)                     | 54                                     |                  |
|  | Sound Pressure Level, Heating <sup>2</sup>                 | dB(A)                     | 56                                     |                  |
|  | Compressor Type  |                           | DC INVERTER-driven Twin Rotary         |                  |
|  | Compressor Model   |                           | SNB220FQGMC                            |                  |
|  | Compressor Rated Load Amps                                 | A                         | 12                                     |                  |
|  | Compressor Locked Rotor Amps                               | A                         | 13.7                                   |                  |
|  | Compressor Oil Type // Charge                              | oz.                       | FV50S // 23.7                          |                  |
|  | Base Pan Heater  |                           | Optional                               |                  |
|  | Unit Dimensions  | W: In. [mm]               |  | 37-13/32 [950]   |
|  |  | D: In. [mm]               |  | 13 [330]         |
|  |  | H: In. [mm]               |  | 31-11/32 [796]   |
|  | Package Dimensions   | W: In. [mm]               |  | 40-15/16 [1,040] |
|  |  | D: In. [mm]               |  | 17-11/16 [450]   |
| H: In. [mm]  |  |                           | 40-11/16 [1,033]                       |                  |
| Unit Weight  | Lbs.[kg]   |                           | 139 [63]                               |                  |
| Package Weight   | Lbs.[kg]   |                           | 159 [72]                               |                  |
| Outdoor unit operating temperature range                   | Cooling Intake Air Temp (Maximum / Minimum <sup>5</sup> )  | °FDB                      | 115 / 14                               |                  |
|  | Cooling Thermal Lock-out / Re-start Temperatures           | °FDB                      | 10.4 / 14                              |                  |
|  | Heating Intake Air Temp (Maximum / Minimum)                | °FWB                      | 65 / 5                                 |                  |
|  | Heating Thermal Lock-out / Re-start Temperatures           | °FDB                      | 1.4 / 5                                |                  |
| Refrigerant  | Charge   | Lbs, oz                   | 6.0, 13.0                              |                  |
|  | Chargeless Piping Length                                   | Ft. [m]                   | 98.0 [30.0]                            |                  |
|  | Additional Refrigerant Charge Per Additional Piping Length | oz./Ft. [g/m]             | 0.216 [20]                             |                  |

**NOTES:**

AHRI Rated Conditions

(Rated data is determined at a fixed compressor speed)

<sup>1</sup>Cooling (Indoor // Outdoor)

<sup>2</sup>Heating at 47°F (Indoor // Outdoor)

<sup>3</sup>Heating at 17°F (Indoor // Outdoor)

°F 80 DB, 67 WB // 95 DB, 75 WB

°F 70 DB, 60 WB // 47 DB, 43 WB

°F 70 DB, 60 WB // 17 DB, 15 WB

Conditions

<sup>4</sup>Heating at 5°F (Indoor // Outdoor)

°F 70 DB, 60 WB // 5 DB, 4 WB

\*Applications should be restricted to comfort cooling only; equipment cooling applications are not recommended for low ambient temperature conditions.

<sup>5</sup> 5°F DB - 115°F DB when optional wind baffles are installed

For actual capacity performance based on indoor unit type and number of indoor units connected, please refer to MXZ Operational Performance.

Although the maximum connectable capacity is 130%, the outdoor unit cannot provide more than 100% of the rated capacity. Please utilize this over capacity capability for load shedding or applications where it is known that all connected units will NOT be operating at the same time.

## SPECIFICATIONS: MXZ-4C36NA3

|                        |  |         |  |
|------------------------|--|---------|--|
| Indoor unit connection | Maximum Number of Connected IDU          |         | 4  |
|                        | Minimum Number of Connected IDU          |         | 2  |
|                        | Minimum connected capacity               | BTU/H   | 12,000                                     |
|                        | Maximum connected capacity               | BTU/H   | 42,000                                     |
| Piping                 | Liquid Pipe Size O.D. (Flared)           | In.[mm] | A,B,C,D: 1/4 [A,B,C,D: 6.35]               |
|                        | Gas Pipe Size O.D. (Flared)              | In.[mm] | A: 1/2; B,C,D: 3/8 [A: 12.72; B,C,D: 9.52] |
|                        | Total Piping Length                      | Ft. [m] | 230 [70]                                   |
|                        | Maximum Height Difference, ODU above IDU | Ft. [m] | 49 [15]                                    |
|                        | Maximum Height Difference, ODU below IDU | Ft. [m] | 49 [15]                                    |
|                        | Farthest Piping Length from ODU to IDU   | Ft. [m] | 82 [25]                                    |
|                        | Maximum Number of Bends for IDU          |         | 70   |

**NOTES:**

AHRI Rated Conditions (Rated data is determined at a fixed compressor speed)

|  |    |                              |
|--|----|------------------------------|
| <sup>1</sup> Cooling (Indoor // Outdoor)         | °F | 80 DB, 67 WB // 95 DB, 75 WB |
| <sup>2</sup> Heating at 47°F (Indoor // Outdoor) | °F | 70 DB, 60 WB // 47 DB, 43 WB |
| <sup>3</sup> Heating at 17°F (Indoor // Outdoor) | °F | 70 DB, 60 WB // 17 DB, 15 WB |

Conditions <sup>4</sup>Heating at 5°F (Indoor // Outdoor) °F 70 DB, 60 WB // 5 DB, 4 WB

\*Applications should be restricted to comfort cooling only; equipment cooling applications are not recommended for low ambient temperature conditions.

<sup>A</sup> 5°F DB - 115°F DB when optional wind baffles are installed

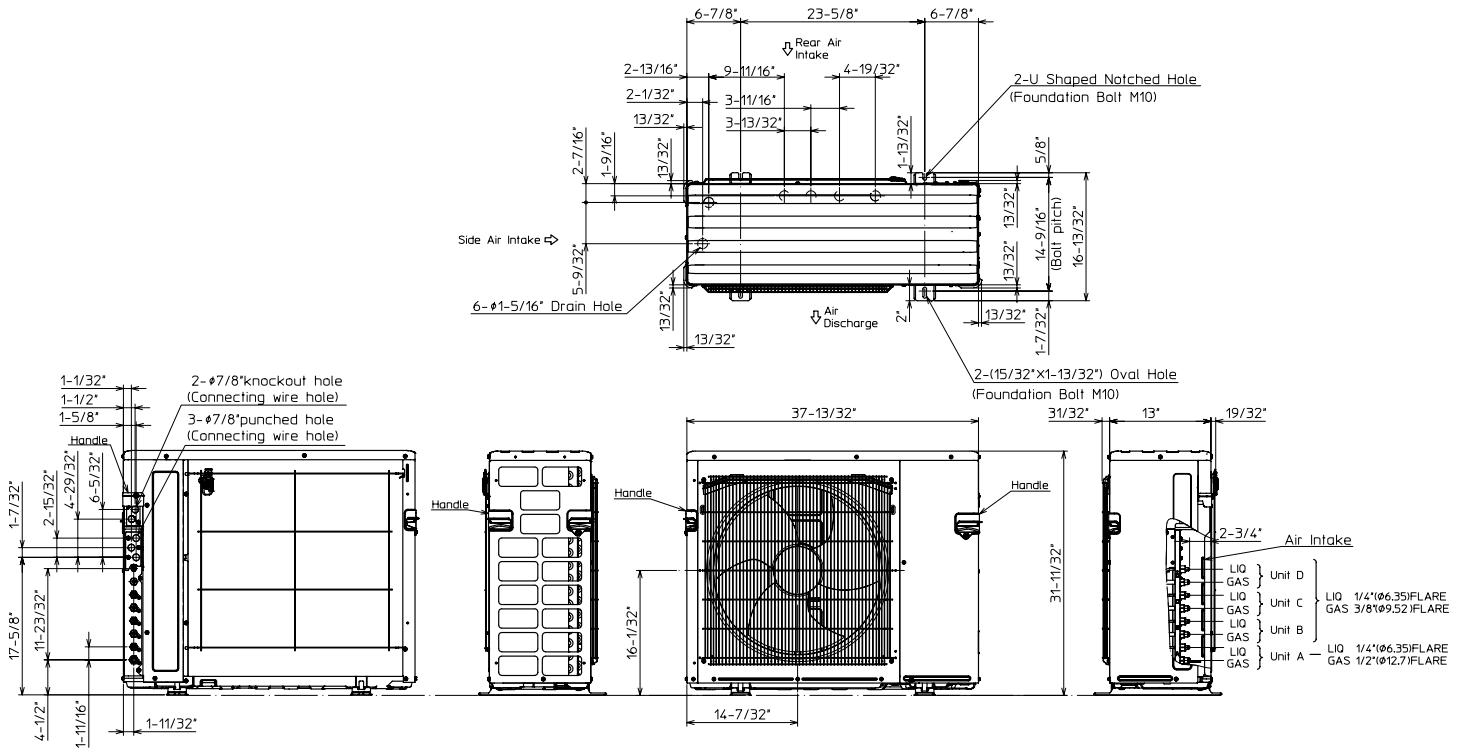
For actual capacity performance based on indoor unit type and number of indoor units connected, please refer to MXZ Operational Performance. Although the maximum connectable capacity is 130%, the outdoor unit cannot provide more than 100% of the rated capacity. Please utilize this over capacity capability for load shedding or applications where it is known that all connected units will NOT be operating at the same time.

## OUTDOOR UNIT ACCESSORIES: MXZ-4C36NA3

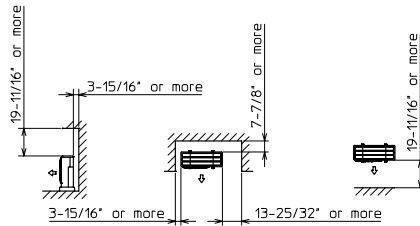
|                         |  |               |
|-------------------------|--|---------------|
| Ball Valve              | Refrigeration Ball Valve - 1/2"  | BV12FFSI2     |
|                         | Refrigeration Ball Valve - 1/4"  | BV14FFSI2     |
|                         | Refrigeration Ball Valve - 3/8"  | BV38FFSI2     |
|                         | Refrigeration Ball Valve - 5/8"  | BV58FFSI2     |
| Control Wire            | M-Net Control Wire, 1,000' Roll (16-AWG, Standard, Twisted Pair, Shielded, Jacketed- Plenum rated) | CW162S-1000   |
|                         | M-Net Control Wire, 250' Roll (16-AWG, Standard, Twisted Pair, Shielded, Jacketed- Plenum rated)   | CW162S-250    |
| Drain Socket            | Drain Socket   | PAC-SG60DS-E  |
| Hail Guards             | Hail Guard   | HG-A9         |
| M-NET Converter         | M-NET Converter  | PAC-IF01MNT-E |
| Mini-Split Wire         | 14 Gauge, 4 wire MiniSplit Cable—250 ft. roll  | S144-250      |
|                         | 14 Gauge, 4 wire MiniSplit Cable—250 ft. roll  | SW144-250     |
|                         | 14 Gauge, 4 wire MiniSplit Cable—50 ft. roll   | S144-50       |
|                         | 14 Gauge, 4 wire MiniSplit Cable—50 ft. roll   | SW144-50      |
|                         | 16 Gauge, 4 wire MiniSplit Cable—250 ft. roll  | S164-250      |
|                         | 16 Gauge, 4 wire MiniSplit Cable—250 ft. roll  | SW164-250     |
|                         | 16 Gauge, 4 wire MiniSplit Cable—50 ft. roll   | S164-50       |
|                         | 16 Gauge, 4 wire MiniSplit Cable—50 ft. roll   | SW164-50      |
| Mounting Pad            | Condensing Unit Mounting Pad: 16" x 36" x 3"   | ULTRILITE1    |
|                         | Outdoor Unit 3-1/4 inch Mounting Base (Pair) - Plastic   | DSD-400P      |
| Optional Defrost Heater | Optional Defrost Heater  | PAC-645BH-E   |
| Port Adapter            | Adaptor: 1/2" x 3/8"   | MAC-A455JP-E  |
|                         | Adaptor: 1/2" x 5/8"   | MAC-A456JP-E  |
|                         | Adaptor: 3/8" x 1/2"   | MAC-A454JP-E  |
|                         | Adaptor: 3/8" x 5/8"   | PAC-SG76RJ-E  |
| Stand                   | 18" Single Fan Stand   | QSMS1801M     |
|                         | 24" Single Fan Stand   | QSMS2401M     |
|                         | Condenser Wall Bracket   | QSWB2000M-1   |
|                         | Condenser Wall Bracket - Stainless Steel Finish  | QSWBSS        |
|                         | Outdoor Unit Stand — 12" High  | QSMS1201M     |

# OUTDOOR UNIT DIMENSIONS: MXZ-4C36NA3

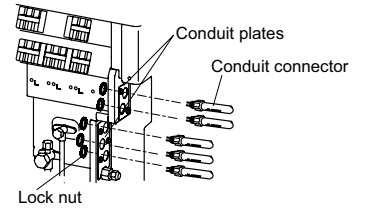
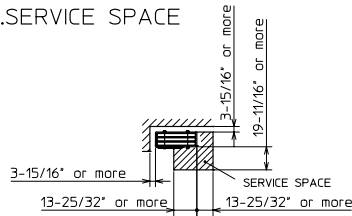
Unit: inch (mm)



## 1. FREE SPACE



## 2. SERVICE SPACE



1340 Satellite Boulevard Suwanee, GA 30024  
Toll Free: 800-433-4822 www.mehvac.com

FORM# MXZ-4C36NA3 - 202206

