

## CEILING CASSETTE TYPE AIR CONDITIONERS

MLZ-KY06NA

### INSTALLATION MANUAL

For INSTALLER

- This manual only describes the installation of indoor unit.  
When installing the outdoor unit, refer to the installation manual of outdoor unit.

### MANUAL DE INSTALACIÓN

PARA EL INSTALADOR

- En este manual sólo se describe la instalación de la unidad interior.  
Para instalar la unidad exterior, consulte el manual de instalación de dicha unidad.

### NOTICE D'INSTALLATION

POUR L'INSTALLATEUR

- Cette notice ne décrit que l'installation de l'unité interne.  
Pour l'installation de l'unité externe, se reporter à la notice d'installation de l'appareil.

English

Español

Français

## CONTENTS

1. BEFORE INSTALLATION.....	1	6. PUMPING DOWN .....	10
2. INDOOR UNIT INSTALLATION.....	4	7. CONNECTING AN INTERFACE (OPTION) TO THE AIR CONDITIONER .....	10
3. FLARING WORK AND PIPE CONNECTION .....	7	This installation manual describes only for the indoor unit. Refer to the MXZ type manual for outdoor unit set up.	
4. TEST RUN.....	9		
5. GRILLE (OPTION) INSTALLATION .....	9		

## Required Tools for Installation

Phillips screwdriver	Flare tool for R410A
Level	Gauge manifold for R410A
Scale	Vacuum pump for R410A
Utility knife or scissors	Charge hose for R410A
2-15/16 in. (75 mm) hole saw	Pipe cutter with reamer
Torque wrench	Water bottle
Wrench (or spanner)	0.9 to 1.0 L water

## 1. BEFORE INSTALLATION

## 1-1. THE FOLLOWING SHOULD ALWAYS BE OBSERVED FOR SAFETY

- Be sure to read "THE FOLLOWING SHOULD ALWAYS BE OBSERVED FOR SAFETY" before installing the air conditioner.
- Be sure to observe the warnings and cautions specified here as they include important items related to safety.
- After reading this manual, be sure to keep it together with the OPERATING INSTRUCTIONS for future reference.
- Please report to your supply authority or obtain their consent before connecting this equipment to the power supply system.

**▲ WARNING** (Could lead to death, serious injury, etc.)

- **Do not install the unit by yourself (user).**  
Incomplete installation could cause fire or electric shock, injury due to the unit falling, or leakage of water. Consult the dealer from whom you purchased the unit or a qualified installer.
- **Perform the installation securely referring to the installation manual.**  
Incomplete installation could cause fire or electric shock, injury due to the unit falling, or leakage of water.
- **When installing the unit, use appropriate protective equipment and tools for safety.**  
Failure to do so could cause injury.
- **Install the unit securely in a place which can bear the weight of the unit.**  
If the installation location cannot bear the weight of the unit, the unit could fall causing injury.
- **Electrical work should be performed by a qualified, experienced electrician, according to the installation manual. Be sure to use an exclusive circuit. Do not connect other electrical appliances to the circuit.**  
If the capacity of the power circuit is insufficient or there is incomplete electrical work, it could result in a fire or an electric shock.
- **Ground the unit correctly.**  
Do not connect the ground to a gas pipe, water pipe, lightning rod or telephone ground. Defective grounding could cause electric shock.
- **Do not damage the wires by applying excessive pressure with parts or screws.**  
Damaged wires could cause fire or electric shock.
- **Be sure to cut off the main power in case of setting up the indoor P.C. board or wiring works.**  
Failure to do so could cause electric shock.
- **Use the specified wires to connect the indoor and outdoor units securely and attach the wires firmly to the terminal block connecting sections so the stress of the wires is not applied to the sections. Do not extend the wires, or use intermediate connection.**  
Incomplete connecting and securing could cause fire.
- **Do not install the unit in a place where flammable gas may leak.**  
If gas leaks and accumulates in the area around the unit, it could cause an explosion.
- **Do not use intermediate connection of the power cord or the extension cord and do not connect many devices to one AC outlet.**  
It could cause a fire or an electric shock due to defective contact, defective insulation, exceeding the permissible current, etc.
- **Be sure to use the parts provided or specified parts for the installation work.**  
The use of defective parts could cause an injury or leakage of water due to a fire, an electric shock, the unit falling, etc.
- **When plugging the power supply plug into the outlet, make sure that there is no dust, clogging, or loose parts in both the outlet and the plug. Make sure that the power supply plug is pushed completely into the outlet.**  
If there is dust, clogging, or loose parts on the power supply plug or the outlet, it could cause electric shock or fire. If loose parts are found on the power supply plug, replace it.
- **Attach the disp cover to the indoor unit and the service panel to the outdoor unit securely.**  
If the disp cover of the indoor unit and/or the service panel of the outdoor unit are not attached securely, it could result in a fire or an electric shock due to dust, water, etc.
- **When installing, relocating, or servicing the unit, make sure that no substance other than the specified refrigerant (R410A) enters the refrigerant circuit.**  
Any presence of foreign substance such as air can cause abnormal pressure rise and may result in explosion or injury. The use of any refrigerant other than that specified for the system will cause mechanical failure, system malfunction, or unit breakdown. In the worst case, this could lead to a serious impediment to securing product safety.
- **Do not alter the unit.**  
It may cause fire, electric shock, injury or water leakage.
- **Do not discharge the refrigerant into the atmosphere. Check that the refrigerant gas does not leak after installation has been completed. If refrigerant leaks during installation, ventilate the room.**  
If refrigerant comes in contact with a fire, harmful gas could be generated.  
If refrigerant gas leaks indoors, and comes into contact with the flame of a fan heater, space heater, stove, etc., harmful gases will be generated.
- **Use appropriate tools and piping materials for installation.**  
The pressure of R410A is 1.6 times more than R22. Not using appropriate tools or materials and incomplete installation could cause the pipes to burst or injury.
- **When the refrigeration circuit has a leak, do not execute pump down with the compressor. When pumping down the refrigerant, stop the compressor before disconnecting the refrigerant pipes.**  
If the refrigerant pipes are disconnected while the compressor is running and the stop valve is open, air could be drawn in and the pressure in the refrigeration cycle could become abnormally high. This could cause the pipes to burst or injury.
- **Fix the connecting cable at the prescribed position securely.**  
Incorrect installation may cause electric shock, fire, and/or malfunction.
- **When installing the unit, securely connect the refrigerant pipes before starting the compressor.**  
If the compressor is started before the refrigerant pipes are connected and when the stop valve is open, air could be drawn in and the pressure in the refrigeration cycle could become abnormally high. This could cause the pipes to burst or injury.
- **Fasten a flare nut with a torque wrench as specified in this manual.**  
If fastened too tight, a flare nut may break after a long period and cause refrigerant leakage.
- **The unit shall be installed in accordance with national wiring regulations.**
- **Do not use means to accelerate the defrosting process or to clean, other than those recommended by the manufacturer.**
- **The appliance shall be stored in a room without continuously operating ignition sources (for example: open flames, an operating gas appliance or an operating electric heater).**
- **Do not pierce or burn.**
- **Be aware that refrigerants may not contain an odour.**
- **Pipe-work shall be protected from physical damage.**
- **The installation of pipe-work shall be kept to a minimum.**
- **Keep any required ventilation openings clear of obstruction.**
- **Keep gas-burning appliances, electric heaters, and other fire sources (ignition sources) away from the location where installation, repair, and other air conditioner work will be performed.**

This manual only describes the installation of indoor unit.  
When installing the outdoor unit, refer to the installation manual of outdoor unit.

**CAUTION** (Could lead to serious injury in particular environments when operated incorrectly.)

- **Depending on the installation area, install a Ground Fault Interrupt (GFI) circuit breaker.**  
If the Ground Fault Interrupt (GFI) circuit breaker is not installed, an electric shock could occur.
- **Do not touch the air inlet or the aluminum fins of the outdoor unit.**  
This could cause injury.
- **Do not operate the air conditioner during interior construction and finishing work, or while waxing the floor.**  
Before operating the air conditioner, ventilate the room well after such work is performed. Otherwise, it may cause volatile elements to adhere inside the air conditioner, resulting in water leakage or scattering of dew.
- **Perform the drainage/piping work securely according to the installation manual.**  
If there is defect in the drainage/piping work, water could drop from the unit, soaking and damaging household goods.
- **Do not install the outdoor unit where small animals may live.**  
If small animals enter and touch the electric parts inside the unit, it could cause a malfunction, smoke emission, or fire. Also, advise user to keep the area around the unit clean.

## 1-2. SELECTING THE INSTALLATION LOCATION

### INDOOR UNIT

- Where airflow is not blocked.
- Where cool (or warm) air spreads over the entire room.
- Where it is not exposed to direct sunshine. Do not expose to direct sunshine also during the period following unpacking to before use.
- Where easily drained.
- At a distance 3 ft. (1 m) or more away from your TV and radio. Operation of the air conditioner may interfere with radio or TV reception. An amplifier may be required for the affected device.
- In a place as far away as possible from fluorescent and incandescent lights. In order to make the infrared remote control operate the air conditioner normally. The heat from the lights may cause deformation or the ultraviolet may cause deterioration.
- Where the air filter can be removed and replaced easily.
- Where it is away from the other heat or steam source.

### REMOTE CONTROLLER

- Where it is easy to operate and easily visible.
- Where children cannot touch it.
- Select a position about 4 ft. (1.2 m) above the floor and check that signals from the remote controller are surely received by the indoor unit from that position ('beep' or 'beep beep' receiving tone sounds). After that, attach remote controller holder to a pillar or wall and install wireless remote controller.

**Note:**

In rooms where inverter type fluorescent lamps are used, the signal from the wireless remote controller may not be received.

**Note:**

- Avoid the following places for installation where air conditioner trouble is liable to occur.
- Where flammable gas could leak.
  - Where there is much machine oil.
  - Where oil is splashed or where the area is filled with oily smoke (such as cooking areas and factories, in which the properties of plastic could be changed and damaged).
  - Salty places such as the seaside.
  - Where sulfide gas is generated such as hot spring, sewage, waste water.
  - Where there is high-frequency or wireless equipment.
  - Where there is emission of high levels of VOCs, including phthalate compounds, formaldehyde, etc., which may cause chemical cracking.
  - The appliance shall be stored so as to prevent mechanical damage from occurring.

## 1-3. SPECIFICATIONS

### 1-3-1. INDOOR/OUTDOOR WIRE CONNECTION

- Wiring work should be based on applicable technical standards.
- Wiring connections should be made following the diagram.
- Securely tighten screws.

**Connecting wires and the ground wire**

- Use solid conductor Min. AWG14 or stranded conductor Min. AWG14.
- Use double insulated copper wire with 600 V insulation.
- Use copper conductors only.
- \* Follow local electrical codes.

**Note:**

When the indoor unit is powered from the outdoor unit, depending on local code, a disconnect switch needs to be installed to a power supply circuit.

### 1-3-2. REFRIGERANT PIPES

- To prevent condensation, insulate the two refrigerant pipes.

**Note:**

Be sure to use the insulation of specified thickness (table on the right). Excessive insulation may cause incorrect installation of the indoor unit, and too little insulation may cause condensate to form.

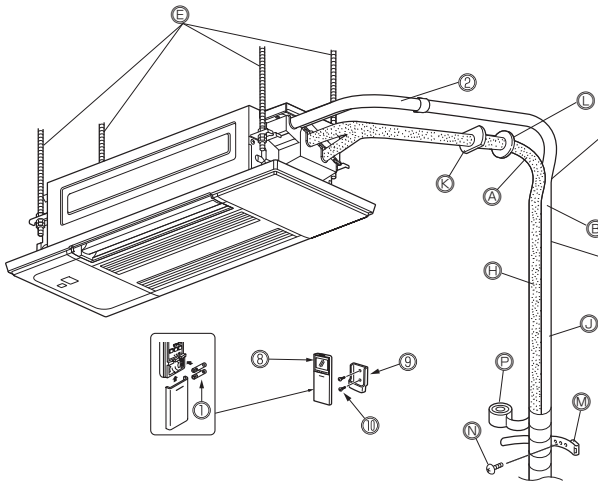
- The unit has flared connections on both indoor and outdoor sides.
- Remove the valve cover from the outdoor unit, then connect the pipe.
- Refrigerant pipes are used to connect the indoor and outdoor units.
- Be careful not to crush or over bend the pipe in pipe bending.

**Electrical specifications**

INDOOR UNIT	
Power supply (V, PHASE, Hz)	208/230, 1, 60
Min. Circuit Ampacity (A)	1.0
Fan motor (F.L.A.) (A)	0.68

Pipe	Outside diameter	Minimum wall thickness	Insulation thickness	Insulation material	
					inch (mm)
For liquid	MLZ-KY06NA	1/4 (6.35)	0.0315 (0.8)	5/16 (8)	Heat resistant foam plastic 0.045 Specific gravity
For gas		3/8 (9.52)	0.0315 (0.8)		

# 1-4. INSTALLATION DIAGRAM



Be sure to use wall hole sleeve **K** to prevent indoor/outdoor connecting wire **D** from contacting metal parts in the wall and to prevent damage by rodents in case the wall is hollow.

Indoor unit

Wall hole cover **L**

Seal the wall hole gap with putty **O**.

Wall hole sleeve **K**

Fix the pipe to wall with pipe fixing band **M**.

Cut off the extra length.

Pipe fixing band **M**

Fixing screw **N**

After the leak test, apply insulating material tightly so that there is no gap.

When the piping is to be attached to a wall containing metals (tin plated) or metal netting, use a chemically treated wooden piece 3/4 in. (20 mm) or thicker between the wall and the piping or wrap 7 to 8 turns of insulation vinyl tape around the piping. To use existing piping, perform COOL operation for 30 minutes and pump down before removing the old air conditioner. Remake flare according to the dimension for new refrigerant.

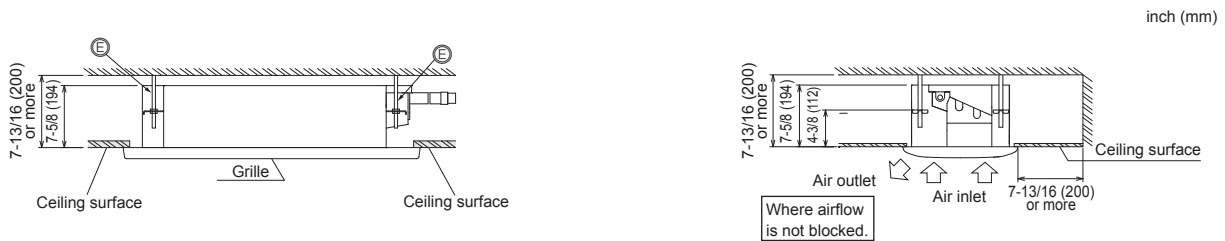
Units should be installed by licensed contractor according to local code requirements.

## IMPORTANT NOTES

Check that cabling will not be subject to wear, corrosion, excessive pressure, vibration, sharp edges or any other adverse environmental effects. The check shall also take into account the effects of aging or continual vibration from sources such as compressors or fans.

## Service space

- The dimensions of ceiling opening can be regulated within the range shown in following diagram; so center the main unit against the opening of ceiling, ensuring that the respective opposite sides on all sides of the clearance between them becomes identical.



## ACCESSORIES

Check the following parts before installation.

①	Alkaline battery (AAA) for ③	2
②	Drain hose (with insulation)	1
③	Special washer (with cushion, 4 pcs)	8
④	Installation template	1
⑤	Fixing screw for ④ M5 × 30 mm	4
⑥	Band	1
⑦	Fixing screw for ⑥ 4 × 16 mm	2
⑧	Remote controller	1
⑨	Remote controller holder	1
⑩	Fixing screw for ⑨ 3.5 × 16 mm (Black)	2

## PARTS TO BE PROVIDED AT YOUR SITE

Ⓐ	Refrigerant pipe	1
Ⓑ	Drain pipe (O.D. 1 in. (26 mm))	1
Ⓒ	Installation tools (See 1-3.)	1
Ⓓ	Indoor/outdoor unit connecting wire*	1
Ⓔ	Suspension bolt (W3/8)	4
Ⓕ	Nut with flange (W3/8)	8
Ⓖ	Nut (W3/8)	4
Ⓗ	Insulating material for Ⓐ (Heat resistant foamed polyethylene, specific gravity 0.045, thickness more than 1/2 in. (14 mm))	1
Ⓙ	Insulating material for Ⓑ (Foamed polyethylene, specific gravity 0.03, thickness more than 3/8 in. (10 mm))	1

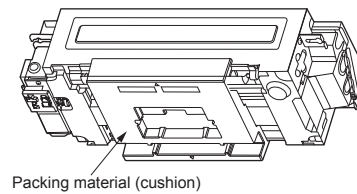
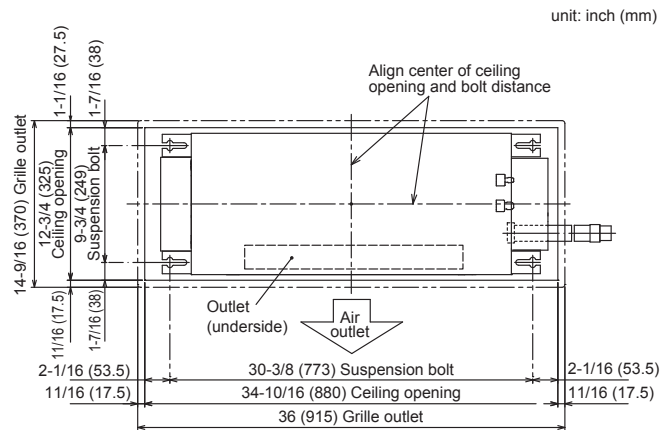
Ⓚ	Wall hole sleeve	1
Ⓛ	Parts for mending wall hole (putty, cover)	1
Ⓜ	Pipe fixing band	2 to 7
Ⓝ	Fixing screw for Ⓜ	2 to 7
Ⓟ	Piping tape	1 to 5

**\* Note:**  
Place indoor/outdoor unit connecting wire **Ⓓ** at least 3 ft. (1 m) away from the TV antenna wire.

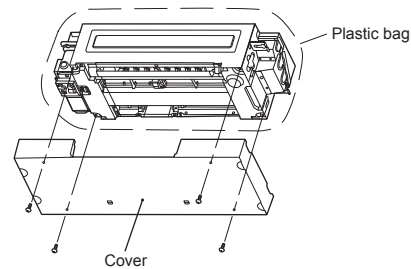
## 2. INDOOR UNIT INSTALLATION

### 2-1. CEILING OPENINGS AND SUSPENSION BOLT INSTALLATION LOCATIONS

- Install the indoor unit at least 7 ft. (2.2 m) above floor or grade level.
- For appliance not accessible to the general public.
- Refrigerant pipes connection shall be accessible for maintenance purposes.
- Make an opening in the ceiling 12-3/4 × 34-10/16 in. (325 mm × 880 mm) in size. This functions as a check window and will be needed later during servicing.
- If the dimensions are not accurate, when the grille is installed there may be gaps between it and the indoor unit. This may result in dripping water or other problems.
- When deciding on placement, consider carefully the space around the ceiling and make your measurements generous.
- Ceiling types and building construction differ. Therefore you should consult with the builder and decorator.
- Using the installation template ④ (top of the package) and the gauge (supplied as an accessory with the grille), make an opening in the ceiling so that the main unit can be installed as shown in the diagram. (The method for using the template and the gauge are shown.)
- Use W3/8 suspension bolts ⑤.
- After suspending the indoor unit, you will have to connect the pipes and wiring above the ceiling. Once the location has been fixed and the direction of the pipes has been determined, place the refrigerant and drainage pipes, and the wiring that connects the indoor and outdoor units in their desired locations before suspending the indoor unit. This is especially important in cases where the ceiling is already in existence.

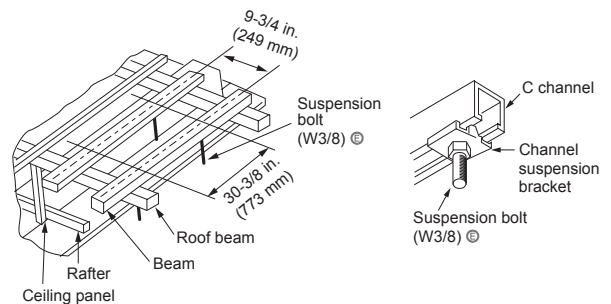


- Remove the packing material (cushion) before installing the plastic bag and the cover.
- To prevent from dust, protect the indoor unit by covering with the plastic bag and the cover.
- Remove the plastic bag and the cover before installing the grille (optional).



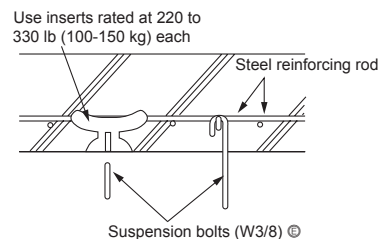
#### 1) Wooden structures

- Use tie beams (single storied houses) or second floor beams (two story houses) as reinforcing members.
- Wooden beams for suspending air conditioners must be sturdy and their sides must be at least 2-5/16 in. (60 mm) long if the beams are separated by not more than 35-3/8 in. (900 mm) and their sides must be at least 3-1/2 in. (90 mm) long if the beams are separated by as much as 6 ft. (1800 mm).
- Use channel, duct and other parts procured locally to suspend the indoor unit.



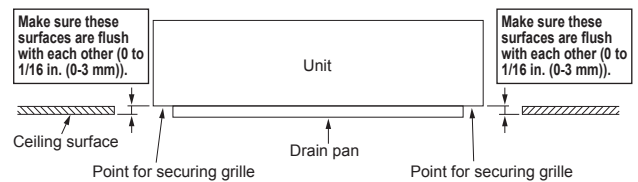
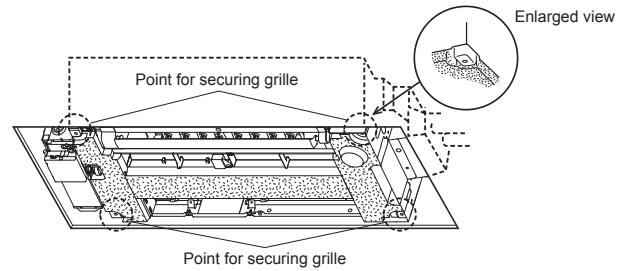
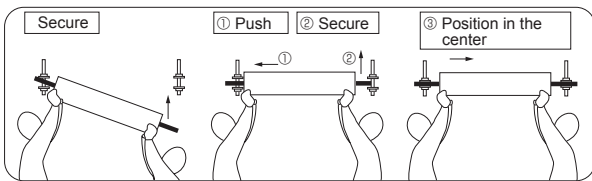
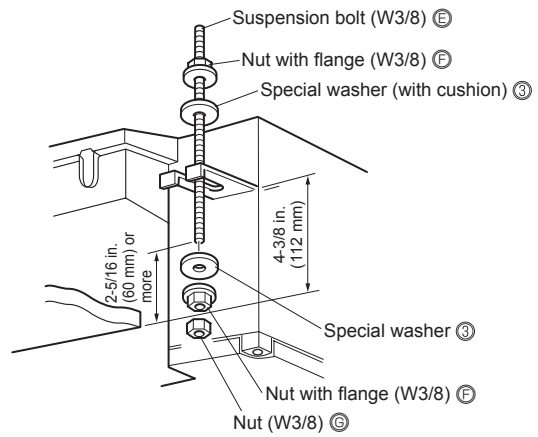
#### 2) Ferro-concrete structures

- Secure the suspension bolts using the method shown, or use steel or wooden hangers, etc. to install the suspension bolts ⑤.
- When the unit is put down with its lower surface facing down, place packing material (cushion) underneath to prevent horizontal vane damage.



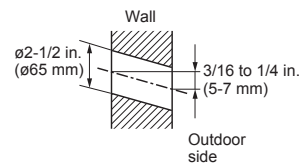
### Unit suspension procedures

- Adjust the length of the bolt's protrusion from the ceiling surface beforehand.
  - Check the pitch of the suspension bolt ⑤.  
(9-3/4 × 30-3/8 in. (249 mm × 773 mm))
- Install special washer ③ and their nuts ⑥ onto the suspension bolt ⑤ in advance.
    - Do this in the following order (from the top): nut ⑥, special washer with cushion ③, special washer ③, nut ⑥, nut ⑥.
    - Position special washer, with cushion ③ with the insulated surface pointing down, as in the figure.
  - Lift the unit into place, aligned properly with suspension bolt ⑤. Pass the bracket between special washer, with cushion ③ and special washer ③, which are already in place, and secure it. Do the same in all four places.
    - Make sure the suspension bolt ⑤ extends 2-3/4 in. (70 mm) or more from the surface of the ceiling. Otherwise you will not be able to install the grille (optional).
    - If the points for securing the grille are not flush with the ceiling surface, water may condense, or the panel may not open/close.**
  - If the long opening in the bracket and opening in the ceiling do not align, adjust them until they do.
  - Check that the four places for securing the grille are all level using a spirit level.
  - Tighten all the nuts.



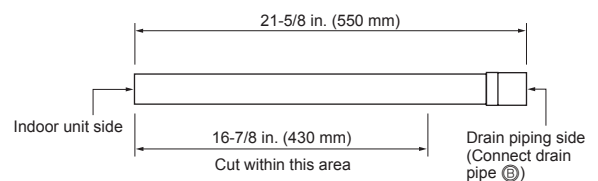
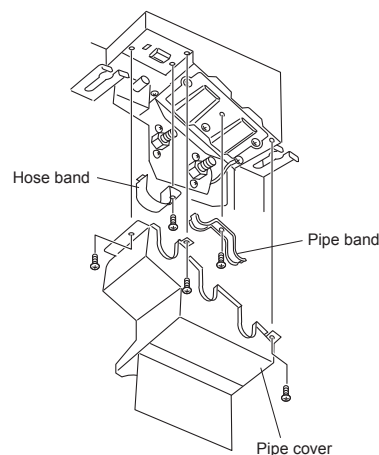
### 2-2. HOLE DRILLING

- Determine the wall hole position.
- Drill a dia. 2-1/2 in. (65 mm) hole. The outdoor side should be 3/16 to 1/4 in. (5 to 7 mm) lower than the indoor side.
- Insert wall hole sleeve ③.

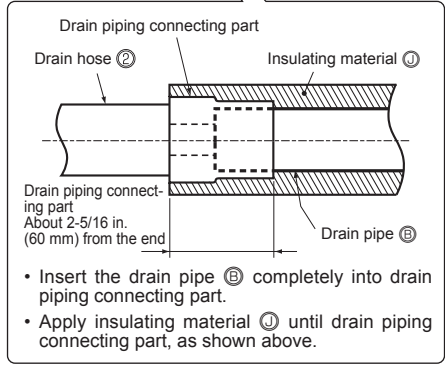
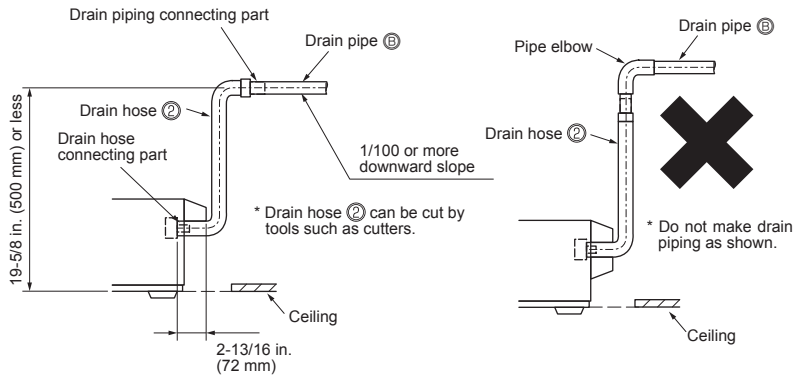
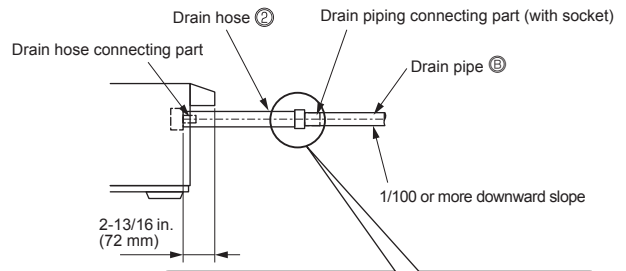


### 2-3. DRAIN PIPING

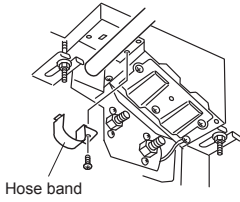
- Use drain pipe ⑥ for drain piping. Be sure to connect the piping joints using adhesive of polyvinyl chloride family to prevent leakage.
- Before drain piping work, remove the pipe cover, hose band, pipe band, and spacer (cushion). Dispose of the spacer (cushion), as it will not be needed.
- Drain hose ② is 21-5/8 in. (550 mm) long, so that drain piping exit can be moved up. Cut drain hose ② into appropriate length before connecting.



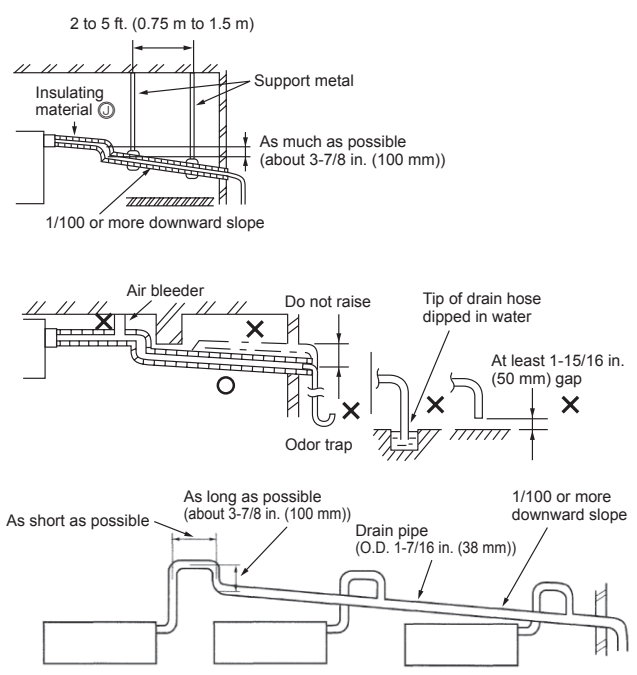
- Connect drain pipe ③ directly to drain piping connecting part (socket side) of drain hose ②.
- Be sure to connect drain hose ② to the indoor unit side as shown in the illustration on the right. Be sure to connect the drain hose connecting part using adhesive of polyvinyl chloride family to prevent leakage.
- To bring up the drain exit, first arrange drain hose ② to go upward vertically, and then provide 1/100 or more downward slope, as shown in the illustration below.



- If the drain piping pass indoor, be sure to apply insulating material ④ (Foamed polyethylene, specific gravity 0.03, thickness more than 3/8 in. (10 mm)).
- Connect drain hose connecting part using adhesive of polyvinyl chloride family before installing the hose band.



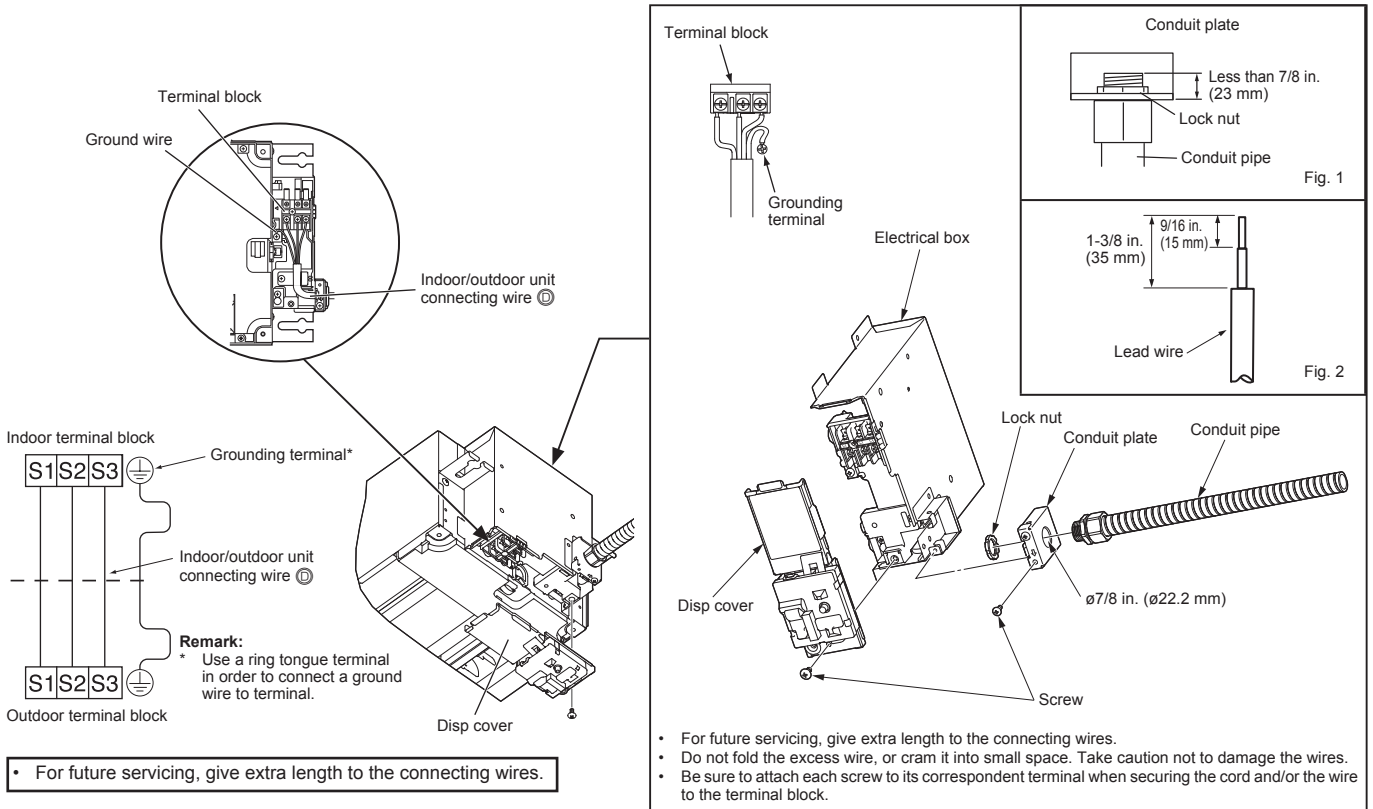
- Apply insulating material ④ until drain piping connecting part, as shown in the upper right illustration.
- Drain piping should form a downward slope (1/100 or more) to the outdoor drain exit. Do not form trap or raise the pipe.
- Do not arrange the pipe horizontally for more than 65 ft. (20 m). When the drain piping is too long, use support metal to prevent the drain pipe from forming an up or down curve. Be sure not to install a air bleeder. (Since drain lift-up mechanism is built-in, drain may blow out.)
- Odor trap for drain outlet is not necessary.
- For grouped piping, arrange piping so that the grouped piping is about 3-7/8 in. (100 mm) lower than the unit drain exit, as shown in the figure. Use about a drain pipe (O.D. 1-7/16 in. (38 mm)) for grouped piping, and arrange it so that it forms about 1/100 or more downward slope.
- Do not place drain piping directly into a place where ammonia gas or sulfuric gas is formed, such as sewage tanks or septic tanks.



## 2-4. CONNECTING WIRES FOR INDOOR UNIT

**Note:** The unit should be installed by a licensed contractor/electrician. If required by applicable national, state and local codes; a disconnect switch will need to be installed when the indoor unit is powered from the outdoor unit.

- 1) Remove disp cover.
- 2) Remove the conduit plate.
- 3) Attach the conduit pipe to the conduit plate with the lock nut. The indoor/outdoor unit connecting wire ② appearing from the inside of conduit pipe should be less than 7/8 in. (23 mm). (Fig. 1)
- 4) Process the end of ground wire (Fig. 2). Connect it to the ground terminal of the electrical parts box.
- 5) Process the end of indoor/outdoor unit connecting wire ② (Fig. 2). Attach it to the terminal block. Be careful not to make mis-wiring. Attach the wire to the terminal block securely so that its core cannot be seen, and no external force affects the connecting section of the terminal block.
- 6) Firmly tighten the terminal screws. After tightening, verify that the wires are tightly fastened.
- 7) Reinstall the conduit plate.
- 8) Pass indoor/outdoor unit connecting wire ② process the end of the wire.
- 9) Loosen terminal screw, and connect first the ground wire, then indoor/outdoor unit connecting wire ② to the terminal block. Be careful not to make mis-wiring. Fix the wire to the terminal block securely so that no part of its core is appeared, and no external force is conveyed to the connecting section of the terminal block.
- 10) Firmly tighten the terminal screws to prevent them from loosening. After tightening, pull the wires lightly to confirm that they do not move.
- 11) Reinstall the disp cover.



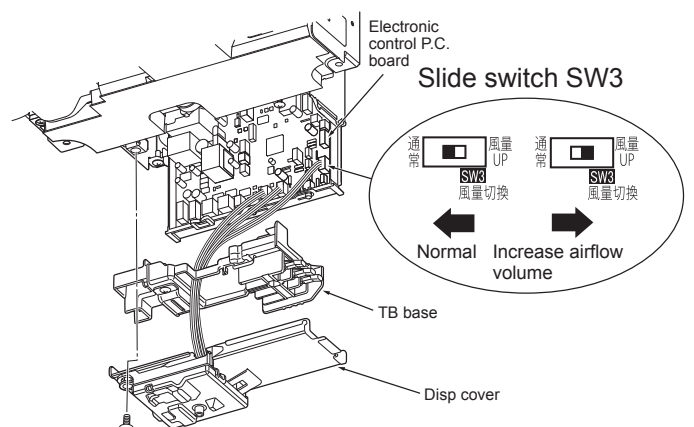
### When the ceiling is above 8 ft. (2.4 m) and 9 ft. (2.7 m) or below

Move the slide switch (SW3) to the right to increase airflow volume.  
\* When the ceiling is above 9 ft. (2.7 m), airflow volume may be insufficient even with the slide switch (SW3) set to "increase airflow".

- 1) Make sure that the breaker for air conditioner is turned OFF.
- 2) Remove disp cover of the indoor unit.
- 3) Slide out the electronic control P.C. board, and switch up the slide switch (SW).
- 4) Put the electronic control P.C. board back to the original position, and install disp cover.

#### Note:

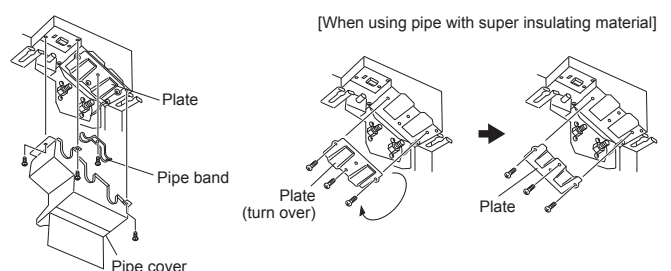
- Perform static elimination before setting.
- Default setting is Normal.



## 3. FLARING WORK AND PIPE CONNECTION

### 3-1. PIPING WORK

- 1) Remove the pipe cover, hose band, pipe band, and spacer (cushion) of the indoor unit. Dispose of the spacer (cushion), as it will not be needed.
- 2) When using pipe with super insulating material (about ø1-7/8 in. (ø48 mm) liquid pipe, ø2 in. (ø51 mm) gas pipe) for indoor connecting pipe, remove plate and turn it over so that the concave part faces upward.





### 3-2. FLARING WORK

- 1) Cut the copper pipe correctly with pipe cutter. (Fig. 1, 2)
- 2) Completely remove all burrs from the cut cross section of pipe. (Fig. 3)
  - Put the end of the copper pipe to downward direction as you remove burrs in order to avoid to let burrs drop in the piping.
- 3) Remove flare nuts attached to indoor and outdoor units, then put them on pipe having completed burr removal. (Not possible to put them on after flaring work.)
- 4) Flaring work (Fig. 4, 5). Firmly hold copper pipe in the dimension shown in the table. Select A inch (mm) from the table according to the tool you use.
- 5) Check
  - Compare the flared work with Fig. 6.
  - If flare is noted to be defective, cut off the flared section and do flaring work again.

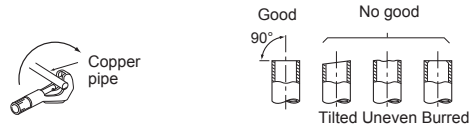


Fig. 1

Fig. 2

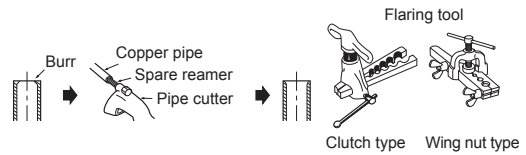


Fig. 3

Fig. 4

Pipe diameter inch (mm)	B inch (mm)	A inch (mm)			Tightening torque	
		Clutch type tool for R410A	Clutch type tool for R22	Wing nut type tool for R22	ft-lb (kgf·cm)	N·m
ø1/4 (6.35)	21/32 (17)	0 to 0.02 (0 to 0.5)	0.04 to 0.06 (1.0 to 1.5)	0.06 to 0.08 (1.5 to 2.0)	10 to 13 (140 to 180)	13.7 to 17.7  34.4 to 41.2  49.1 to 56.9  73.5 to 78.5
ø3/8 (9.52)	7/8 (22)			25 to 30 (350 to 420)		
ø1/2 (12.7)	1-1/32 (26)			36 to 42 (500 to 580)		
ø5/8 (15.88)	1-5/32 (29)			54 to 58 (750 to 800)		

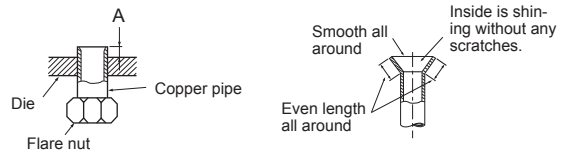


Fig. 5

Fig. 6

### 3-3. PIPE CONNECTION

- In case of reconnecting the refrigerant pipes after detaching, make the flared part of pipe re-fabricated.
- Fasten flare nut with a torque wrench as specified in the table.
- When fastened too tight, flare nut may break after a long period and cause refrigerant leakage.
- Be sure to wrap insulation around the piping. Direct contact with the bare piping may result in burns or frostbite.

#### Indoor unit connection

Connect both liquid and gas pipings to indoor unit.

- Apply a thin coat of refrigeration oil on the seat surface of pipe.
- For connection, first align the center, then tighten the first 3 to 4 turns of flare nut.
- Use tightening torque table above as a guideline for indoor unit side union joint section, and tighten using two wrenches. Excessive tightening damages the flare section.

#### Outdoor unit connection

Connect pipes to stop valve pipe joint of the outdoor unit in the same manner applied for indoor unit.

- For tightening, use a torque wrench or spanner and use the same tightening torque applied for indoor unit.

### 3-4. INSTALLING THE PIPE COVER

Make sure to install the pipe cover. Incorrect installation results in water leakage.

- No insulation is needed on the pipe connecting part of the indoor side for this unit. The pipe cover gathers the water condensed around the pipe connecting part.

- 1) Install the pipe band removed in 3-1. to secure the connecting pipes.
  - \* The pipe band should hold down the insulating material of connecting pipe. Insulating material should protrude 3/8 in. (10 mm) or more than the pipe band, as shown in the illustration on the right.
- 2) Install pipe cover.

#### When using pipe with super insulating material

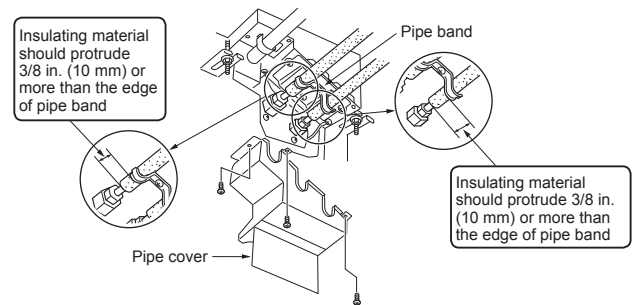
(about ø1-7/8 in. (ø48 mm) liquid pipe, ø2 in. (ø51 mm) gas pipe)

- 1) Make sure that the plate is turned over, and the concave part is facing upward. (Refer to 3-1.)
- 2) Use band ⑥ provided with the unit. (Do not use the pipe band attached to the unit)
- 3) Connecting pipe exit of pipe cover is pre-cut. Cut it along the line.
- 4) Install pipe cover.

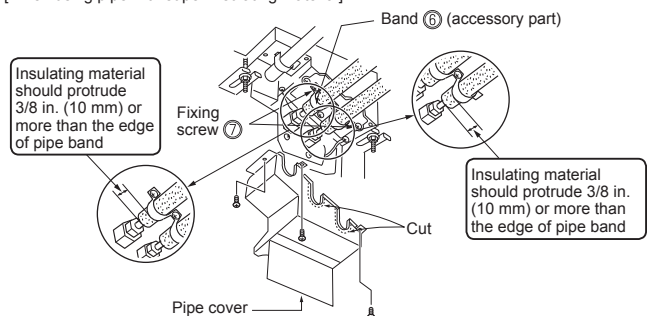
#### Note:

Install pipe cover and pipe band securely. Incomplete installation will cause water to drip from the unit, soaking and damaging household goods.

**⚠ WARNING**  
When installing the unit, securely connect the refrigerant pipes before starting the compressor.



[When using pipe with super insulating material]



## 4. TEST RUN

### 4-1. TEST RUN

- Do not operate the unit for long periods at places such as building under construction. This may cause dust or odor to adhere to the unit.
- Perform test run with the attendance of user, as much as possible.

- 1) Press the E.O. SW once for COOL, and twice for HEAT operation. Test run will be performed for 30 minutes. If the left lamp of the operation indicator blinks every 0.5 seconds, inspect the indoor/outdoor unit connecting wire ③ for mis-wiring. After the test run, emergency mode (set temperature 75°F (24°C)) will start.
- 2) To stop operation, press the E.O. SW several times until all LED lamps turn off. Refer to operating instructions for details.

#### Checking the remote (infrared) signal reception

Press the OFF/ON button on the remote controller ③ and check that an electronic sound is heard from the indoor unit. Press the OFF/ON button again to turn the air conditioner off.

- Once the compressor stops, the restart preventive device operates so the compressor will not operate for 3 minutes to protect the air conditioner.

#### Water drainage check

- 1) Fill the drain pan with about 0.9–1.0 liters of water. (Don't pour water directly into the drain pump.)
- 2) Make a test run of the unit (in Cooling mode).
- 3) Check for water drainage at the outlet of the drainage pipe.
- 4) Stop the test run. (Don't forget to turn off the power.)

### 4-2. WATER DRAINAGE CHECK FOR INDOOR UNIT ONLY

If the wiring work has not been completed, connect terminals S1 and S2 on the indoor terminal block to a 230 V single-phase power supply.

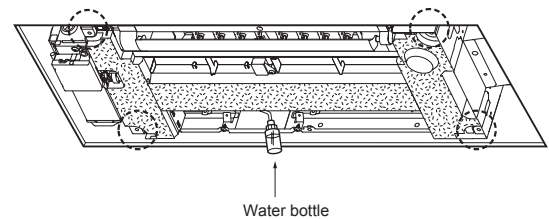
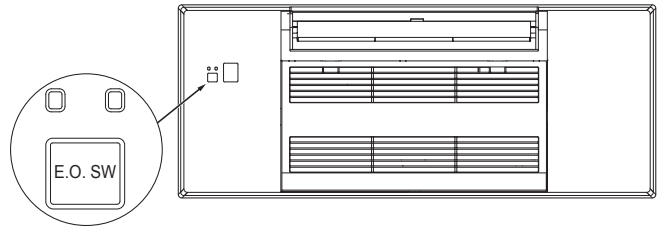
- 1) Start the drain pump test run.
  - Press the emergency operation switch for 5 seconds (until a beep is heard) to start the operation of only the drain pump.
  - The two operation monitor lamps start blinking.
- 2) Stop the drain pump test run.
  - Press the emergency operation switch again to stop the operation of the drain pump. Even if you do not stop the drain pump, it will stop automatically after 15 minutes.
  - The operation monitor lamps turn off.

### 4-3. AUTO RESTART FUNCTION

This product is equipped with an auto restart function. When the power supply is stopped during operation, such as during blackouts, the function automatically starts operation in the previous setting once the power supply is resumed. (Refer to the operating instructions for details.)

### 4-4. EXPLANATION TO THE USER

- Using the OPERATING INSTRUCTIONS, explain to the user how to use the air conditioner (how to use the remote controller, how to remove the air filters, how to remove or put the remote controller in the remote controller holder, how to clean, precautions for operation, etc.)
- Recommend the user to read the OPERATING INSTRUCTIONS carefully.



#### Caution:

- After test run or remote signal reception check, turn off the unit with the E.O. SW or the remote controller before turning off the power supply. Not doing so will cause the unit to start operation automatically when power supply is resumed.

#### To the user

- After installing the unit, make sure to explain the user about auto restart function.
- If auto restart function is unnecessary, it can be deactivated. Consult the service representative to deactivate the function. Refer to the service manual for details.

## 5. GRILLE (OPTION) INSTALLATION

Refer to the procedures indicated in the installation manual of the Grille (option).

## 6. PUMPING DOWN

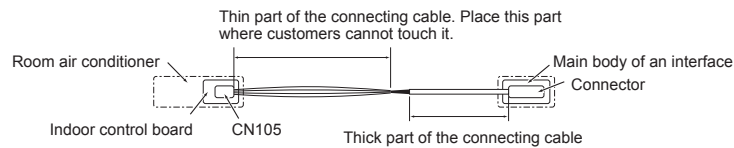
Refer to the procedures indicated in the installation manual of the outdoor unit.

### ⚠ WARNING

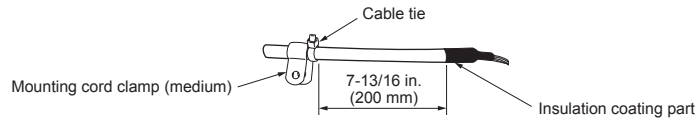
When the refrigeration circuit has a leak, do not execute pump down with the compressor.  
When pumping down the refrigerant, stop the compressor before disconnecting the refrigerant pipes. The compressor may burst if air etc. get into it.

## 7. CONNECTING AN INTERFACE (OPTION) TO THE AIR CONDITIONER

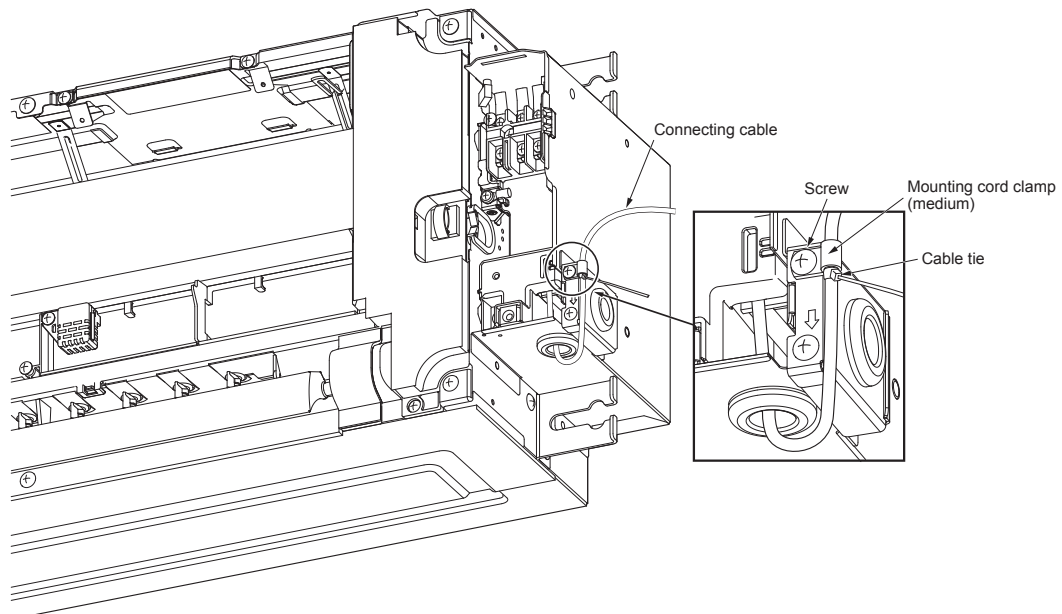
- Connect an interface to the indoor control board of an air conditioner with a connecting cable.
- Cutting or extending the connecting cable of the interface results in defects in connecting. Do not bundle the connecting cable together with power supply cord, indoor/outdoor connecting wire, and/or ground wire. Keep as much distance as possible between the connecting cable and those wires.
- The thin part of the connecting cable should be stored and placed where customers cannot touch it.



- 1) Fix the cable tie to the connecting cable at 7-13/16 in. (200 mm) from the edge of the insulation coating part. Attach the mounting cord clamp (medium) to the interface side of the cable tie.



- 2) Remove the grille. (If the grille has been already installed)
- 3) Remove the disp cover.  
Refer to 2-4. CONNECTING WIRES FOR INDOOR UNIT.
- 4) Slide out the indoor control board, and connect the connecting cable to CN105 and/or CN24 on the indoor control board.
- 5) Remove the screw shown in the photo blow. Route the connecting cable according to the photo below. Fix the mounting cord clamp (medium), which has attached to the connecting cable, with the screw.



- 6) Reinstall the indoor control board and the disp cover.
- 7) Reinstall the grille.

### ⚠ WARNING

Fix the connecting cable at the prescribed position securely.  
Incorrect installation may cause electric shock, fire, and/or malfunction.

**ÍNDICE**

1. ANTES DE LA INSTALACIÓN.....	1	6. BOMBEO DE VACIADO.....	10
2. INSTALACIÓN DE LA UNIDAD INTERIOR... 4		7. CONECTAR UNA INTERFAZ (OPCIONAL) AL ACONDICIONADOR DE AIRE.....	10
3. TRABAJOS DE ABocardADO Y CONEXIÓN DE TUBERÍAS.....	7		
4. FUNCIONAMIENTO DE PRUEBA.....	9	Este manual de instalación solamente describe la instalación de la unidad interior. Para instalar la unidad exterior, consulte el manual del tipo MXZ.	
5. INSTALACIÓN DE LA REJILLA (OPCIONAL).....	9		

**Herramientas necesarias para la instalación**

Destornillador Phillips Nivel	Abocardador para R410A
Báscula	Válvula colectora de manómetro para R410A
Cuchilla o tijeras	Bomba de vacío para R410A
Broca para serrar de 2-15/16 pulg. (75 mm)	Manguera de carga para R410A
Llave dinamo métrica	Cortador de tuberías con escariador
Llave (o llave de tuercas)	Botella de agua 0,9 a 1,0 L de agua

**1. ANTES DE LA INSTALACIÓN**

**1-1. POR RAZONES DE SEGURIDAD, DEBERÁ OBSERVARSE SIEMPRE LO SIGUIENTE**

- Antes de instalar el acondicionador de aire, lea atentamente el apartado "POR RAZONES DE SEGURIDAD, DEBERÁ OBSERVARSE SIEMPRE LO SIGUIENTE".
- Observe los mensajes de atención y cuidado indicados en él, ya que se refieren a cuestiones de seguridad importantes.
- Cuando haya acabado de leer el manual, no olvide dejarlo junto al MANUAL DE INSTRUCCIONES para su futura referencia.
- Antes de conectar este equipo al sistema de suministro eléctrico, informe a su proveedor u obtenga su consentimiento.

**⚠ ATENCIÓN** (Podría causar la muerte, lesiones graves, etc.)

- **El usuario no debe instalar la unidad.**  
Una instalación defectuosa podría causar incendios, descargas eléctricas o lesiones debidos a una caída de la unidad o escapes de agua. Para hacer la instalación, consulte al concesionario en el que adquirió esta unidad o a un instalador cualificado.
- **Para efectuar una instalación segura, consulte el manual de instalación.**  
Una instalación defectuosa podría causar incendios, descargas eléctricas o lesiones debidos a una caída de la unidad o escapes de agua.
- **Al instalar la unidad, use equipos y herramientas de protección adecuadas para garantizar la seguridad.** De no hacerlo, podría sufrir daños corporales.
- **Asegúrese de que el lugar de instalación puede aguantar el peso de la unidad.**  
Si el lugar de instalación no puede aguantar el peso de la unidad, ésta podría caerse y causar daños.
- **La instalación eléctrica debe realizarla un técnico cualificado y con experiencia, siguiendo el manual de instalación. Asegúrese de emplear un circuito exclusivo. No conecte otros dispositivos eléctricos al circuito.**  
Si el circuito de alimentación no tiene suficiente capacidad o la instalación eléctrica es insuficiente, podría producirse un incendio o una descarga eléctrica.
- **Conecte a tierra la unidad.**  
No conecte el cable de tierra a una tubería de gas, de agua o al cable de tierra de un teléfono. Una conexión defectuosa podría provocar una descarga eléctrica.
- **Evite dañar los cables aplicando una presión excesiva con las piezas o tornillos.**  
El uso de cables dañados podría conllevar lesiones a causa de incendios o descargas eléctricas.
- **Asegúrese de desconectar el conmutador de alimentación general al instalar la placa de circuito impreso o manipular los cables de conexión.**  
De no hacerlo, podría provocar una descarga eléctrica.
- **Utilice los cables indicados para instalar de forma segura las unidades interior y exterior y conecte bien los cables en las secciones de conexión del panel de terminales de modo que no queden tensos en dichas secciones. No emplee cables de extensión ni conexiones intermedias.**  
Una conexión y fijación defectuosas podrían provocar un incendio.
- **No instale la unidad en un lugar donde haya fugas de gas inflamable.**  
Si hay fugas de gas y se acumula en la zona que rodea la unidad, podría producirse una explosión.
- **No emplee conexiones intermedias del cable de alimentación ni tampoco un cable de extensión; evite también conectar demasiados aparatos a una sola toma de CA.**  
Esto podría provocar un incendio o una descarga eléctrica a causa de un contacto o un aislamiento defectuoso, un exceso de corriente, etc.
- **Procure utilizar las piezas suministradas o indicadas para efectuar la instalación.**  
El empleo de piezas defectuosas podría provocar lesiones o escapes de agua a causa de un incendio, una descarga eléctrica, la caída de la unidad, etc.
- **Al conectar el enchufe de alimentación en la toma, asegúrese de que no hay polvo, obstrucciones o piezas sueltas ni en la toma ni en el enchufe. Asegúrese de que el enchufe de alimentación está completamente insertado en la toma.**  
Si hay polvo, obstrucciones o piezas sueltas en el enchufe de alimentación o la toma, podría provocar incendios o descargas eléctricas. Si el enchufe de alimentación presenta piezas sueltas, sustitúyalo.
- **Fije con firmeza la cubierta de la pantalla a la unidad interior y el panel de servicio a la unidad exterior.**  
Si no se fijan con firmeza la cubierta de la pantalla de la unidad interior y/o el panel de servicio de la unidad exterior, podría producirse un incendio o una descarga eléctrica a causa del polvo, el agua, etc.
- **Al instalar, reubicar o reparar la unidad, asegúrese de que en el circuito de refrigeración no entra ninguna otra sustancia que no sea el refrigerante especificado (R410A).**  
La presencia de cualquier otra sustancia extraña, como aire por ejemplo, puede provocar una elevación anómala de la presión, una explosión o daños corporales. El uso de un refrigerante distinto al especificado por el sistema ocasionará fallos mecánicos, malfuncionamiento del sistema o averías en la unidad. En el peor de los casos, esto podría llegar a ser un serio impedimento para garantizar el uso seguro del producto.
- **No modifique la unidad.**  
Podría producirse fuego, una descarga eléctrica, lesiones o escape de agua.
- **No descargue el refrigerante en el ambiente. Una vez acabada la instalación, compruebe que no haya fugas de gas refrigerante. Si se producen fugas de refrigerante durante la instalación, ventile la habitación.**  
Si el refrigerante entra en contacto con una llama, podría generarse gas nocivo. Si se produjeran pérdidas de gas refrigerante en un interior y entraran en contacto con la llama de un calefactor con ventilador, un calentador, una estufa, etc. se generarían gases nocivos.
- **Utilice las herramientas apropiadas y los materiales de conducción adecuados para la instalación.**  
La presión del refrigerante R410A es 1,6 veces mayor que la del R22. Si no se utilizan herramientas o materiales apropiados, o si se realiza una instalación defectuosa, las tuberías podrían estallar o sufrir daños.
- **Cuando el circuito de refrigeración tiene una fuga, no realice el bombeo de vaciado con el compresor. Al bombear el refrigerante, detenga el compresor antes de desconectar las tuberías de refrigerante.**  
Si las tuberías de refrigerante se desconectan con el compresor en marcha y la válvula de retención está abierta, podría entrar aire y la presión del ciclo de refrigeración aumentaría de forma anómala. Esto podría hacer que las tuberías estallaran o sufrieran daños.
- **Fije de forma segura el cable de conexión en la posición prescrita.**  
Una instalación incorrecta puede provocar descargas eléctricas, incendios y/o fallos de funcionamiento.
- **Al instalar la unidad, conecte las tuberías de refrigerante de forma fija antes de poner en marcha el compresor.**  
Si el compresor se pone en marcha antes de que las tuberías de refrigerante estén conectadas y la válvula de retención se abra, podría entrar aire y la presión del ciclo de refrigeración aumentaría de forma anómala. Esto podría hacer que las tuberías estallaran o sufrieran daños.
- **Apriete la tuerca abocardada con una llave dinamo métrica tal y como se especifica en el presente manual.**  
Si la aprieta demasiado, la tuerca abocardada podría romperse transcurrido un tiempo, causando pérdidas de refrigerante.
- **Instale la unidad de acuerdo con la normativa para instalaciones eléctricas.**
- **Para acelerar el proceso de descongelación o para limpiar el aparato, utilice únicamente los medios recomendados por el fabricante.**
- **El aparato debe guardarse en una habitación sin fuentes de ignición en funcionamiento continuo (por ejemplo: llamas abiertas, un aparato de gas en funcionamiento o un calentador eléctrico en funcionamiento).**
- **No perfore ni queme el equipo.**
- **Tenga en cuenta que es posible que los refrigerantes no emitan olores.**
- **Las tuberías deben protegerse de posibles daños físicos.**
- **Las tuberías instaladas deben ser las mínimas.**
- **Mantenga las aberturas de ventilación necesarias libres de obstáculos.**
- **Mantenga los aparatos que utilizan combustibles gaseosos, calefactores eléctricos y otros elementos inflamables (fuentes de ignición) apartados del lugar donde se llevará a cabo la instalación, reparación y otras tareas en el acondicionador de aire.**

En este manual sólo se describe la instalación de la unidad interior.  
Para instalar la unidad exterior, consulte el manual de instalación de dicha unidad.

**⚠ CUIDADO** (Podría causar lesiones graves en ciertos entornos si se manipula incorrectamente).

- **Instale un disyuntor del interruptor de fallo de conexión a tierra (GFI) en función de la zona de instalación.**  
Si no está instalado el disyuntor del interruptor de fallo de conexión a tierra (GFI), podría producirse una descarga eléctrica.
- **Para efectuar un drenaje y una instalación de tuberías seguros, siga las indicaciones del manual de instalación.**  
Un drenaje o una instalación de tuberías defectuosos podría causar un escape de agua en la unidad que mojaría y estropearía los enseres del hogar.
- **No toque la entrada de aire ni las aletas de aluminio de la unidad exterior.**  
Esto podría causar lesiones.
- **No instale la unidad exterior donde puedan vivir animales pequeños.**  
Si los animales penetran en la unidad y tocan las piezas eléctricas podrían provocar fallos de funcionamiento, humos o incendios. Además, aconseje a los usuarios que mantengan limpia la área alrededor de la unidad.
- **No utilice el acondicionador de aire durante la construcción de interiores y la realización de trabajos de acabado, ni mientras encera el suelo.**  
Antes de utilizar el acondicionador de aire, ventile bien la habitación una vez realizados este tipo de trabajos. En caso contrario, los elementos volátiles podrían adherirse al interior del acondicionador de aire, provocando fugas de agua o dispersión de la condensación.

## 1-2. SELECCIÓN DEL LUGAR DE INSTALACIÓN

### UNIDAD INTERIOR

- Donde no se obstaculice el flujo de aire.
- Donde el aire frío (o caliente) se pueda propagar por toda la habitación.
- Donde no esté expuesto a la luz solar directa. Tampoco la deje expuesta a luz solar directa mientras espera para instalarla, después de haberla desembalado.
- Donde pueda drenarse con facilidad.
- A una distancia de 3 pies (1 m) o más del televisor o la radio. El funcionamiento del acondicionador de aire puede interferir con la capacidad de recepción del televisor o la radio. Puede ser necesario conectar el receptor afectado a un amplificador.
- En un lugar lo más alejado posible de fluorescentes o de luces incandescentes. Para que el controlador remoto por infrarrojos funcione con normalidad. El calor desprendido por las luces podría provocar deformaciones y la radiación ultravioleta podría provocar el deterioro.
- Donde el filtro de aire se pueda extraer y reemplazar con facilidad.
- Donde se encuentre alejada del resto de fuentes de calor o vapor.

### CONTROLADOR REMOTO

- Donde sea fácil de utilizar y de ver.
- Donde los niños no puedan tocarlo.
- Seleccione una posición aproximadamente a 4 pies (1,2 m) sobre el suelo y compruebe que las señales del controlador remoto lleguen correctamente a la unidad interior desde esa posición (sonará un pitido de recepción "pii" o "pii pii"). A continuación, instale el soporte del controlador remoto en un pilar e instale el controlador remoto inalámbrico.

**Nota:**

En habitaciones con fluorescentes de tipo inversor, puede que la señal del controlador remoto inalámbrico no se reciba.

**Nota:**

Para instalar el aparato de aire acondicionado, evite los lugares siguientes donde es más probable que ocurran problemas.

- Donde pueda haber una fuga de gas inflamable.
- Donde haya demasiado aceite para maquinaria.
- Donde pueda haber salpicaduras de aceite o donde impere un ambiente grasiento (como zonas para cocinar y fábricas, donde las partes de plástico se podrían alterar y dañar).
- En ambientes salobres, como las zonas costeras.
- Donde haya gas sulfúrico, como en zonas de baños termales, alcantarillas o aguas residuales.
- Donde haya algún equipo inalámbrico o de alta frecuencia.
- Donde haya elevadas emisiones de COV, incluidos compuestos de ftalato, aldehído fórmico, etc., que puedan causar craqueos.
- El aparato debe almacenarse para evitar que se produzcan averías mecánicas.

## 1-3. ESPECIFICACIONES

### 1-3-1. CONEXIÓN POR CABLE ENTRE LAS UNIDADES INTERIOR Y EXTERIOR

- Los trabajos de cableado se deben basar en los estándares técnicos aplicables.
- Las conexiones de cableado deben realizarse según el siguiente diagrama.
- Apriete firmemente los tornillos.

#### Conexión de cables y de cable de tierra

- Utilice un conductor sólido con un calibre mín. AWG14 o un conductor trenzado con un calibre mín. AWG14.
- Utilice un cable de cobre con doble aislamiento con el aislante de 600 V.
- Use únicamente conductores de cobre.
- \* Siga los códigos eléctricos locales.

**Nota:**

Cuando la alimentación de la unidad interior procede de la unidad exterior, en función del código local, se debe instalar un interruptor de desconexión en el circuito de alimentación.

### 1-3-2. TUBERÍAS DE REFRIGERANTE

- Para evitar la condensación, aisle las dos tuberías de refrigerante.

**Nota:**

Asegúrese de utilizar un aislamiento de grosor especificado (tabla de la derecha). El uso excesivo de aislante puede causar una instalación incorrecta de la unidad interior y el uso de una cantidad insuficiente de aislante puede provocar la condensación.

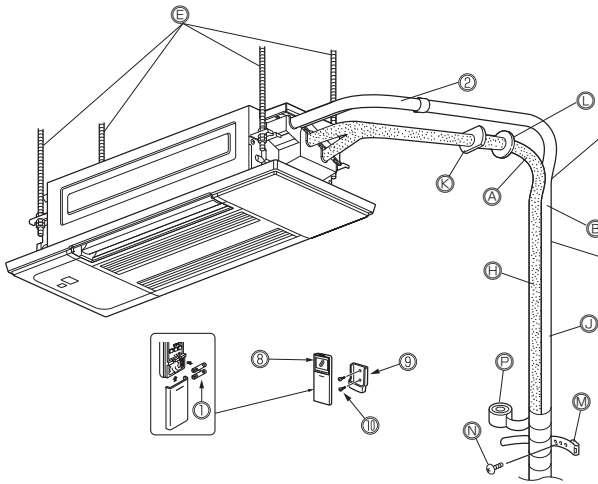
- La unidad tiene conexiones abocinadas en los lados interior y exterior.
- Retire la tapa de la válvula de la unidad exterior y, a continuación, conecte la tubería.
- Las tuberías de refrigerante se emplean para conectar las unidades interior y exterior.
- Tenga cuidado de no romper ni doblar demasiado el tubo cuando lo flexione.

#### Electrical specifications

UNIDAD INTERIOR		
Alimentación (V, FASE, Hz)		208/230, 1, 60
Amperaje mín. del circuito (A)		1,0
Motor del ventilador (F.L.A.) (A)		0,68

Tubería		Diámetro exterior	Grosor mínimo de la pared	Grosor del aislamiento	Material aislante
Para líquido	MLZ-KY06NA	1/4 (6,35)	0,0315 (0,8)	5/16 (8)	Plástico de espuma termorre-sistente con un peso específico de 0,045
Para gas		3/8 (9,52)	0,0315 (0,8)	5/16 (8)	

## 1-4. DIAGRAMA DE INSTALACIÓN

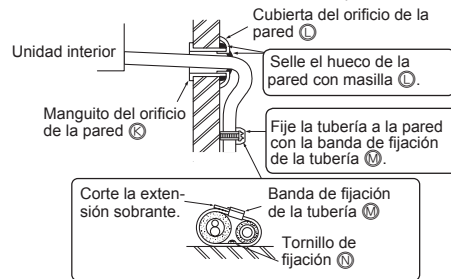


La unidad debe ser instalada por el servicio oficial de acuerdo con la normativa local.

### NOTAS IMPORTANTES

Compruebe que el cableado no quede expuesto a desgaste, corrosión, presión excesiva, vibración, bordes afilados o cualquier otro efecto ambiental adverso. La comprobación también deberá tener en cuenta los efectos del paso del tiempo o la vibración continua de fuentes tales como compresores o ventiladores.

Asegúrese de emplear el manguito del orificio de la pared (K) para impedir que los cables de conexión exteriores/interiores (D) estén en contacto con las piezas metálicas de la pared y evitar que las ratas causen un deterioro en caso de tratarse de paredes huecas.

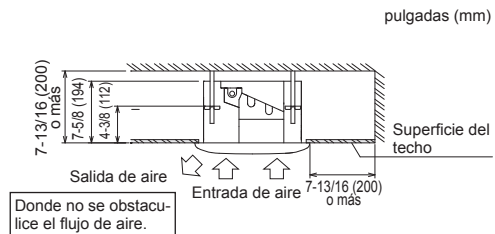
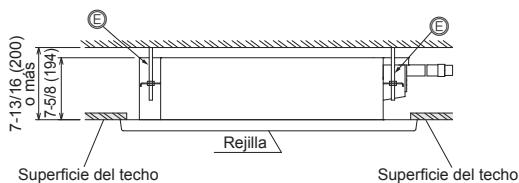


Después de la prueba de fugas, aplique material aislante de modo que no queden huecos.

Cuando los tubos deban instalarse en una pared con contenido metálico (placas de latón) o rejillas metálicas, ponga un trozo de madera tratada químicamente de 3/4 pulg. (20 mm) o más de grosor entre la pared y los tubos o envuelva los tubos con 7 u 8 vueltas de cinta aislante de vinilo. Para utilizar tuberías ya existentes, active el modo COOL (REFRIGERACIÓN) durante 30 minutos y realice el bombeo de vaciado antes de retirar el acondicionador de aire antiguo. Adapte el abocardado a las dimensiones para el nuevo refrigerante.

### Espacio de servicio

- Las dimensiones de la abertura en el techo pueden regularse dentro del rango que aparece en el siguiente diagrama; así pues, centre la unidad principal en la abertura asegurándose de que los respectivos lados opuestos queden a la misma distancia del borde de la abertura.



### ACCESORIOS

Antes de la instalación, compruebe que tiene las siguientes piezas.

①	Pila alcalina (AAA) para ⑧	2
②	Manguera de drenaje (con aislante)	1
③	Arandela especial (con almohadilla, 4 uds.)	8
④	Plantilla de instalación	1
⑤	Tornillo de fijación para ④ M5 × 30 mm	4
⑥	Banda de fijación	1
⑦	Tornillo de fijación para ⑥ 4 × 16 mm	2
⑧	Controlador remoto	1
⑨	SopORTE del controlador remoto	1
⑩	Tornillo de fijación para ⑨ 3,5 × 16 mm (negro)	2

### PIEZAS QUE DEBEN SUMINISTRARSE EN LAS INSTALACIONES DEL USUARIO

Ⓐ	Tubería de refrigerante	1
Ⓑ	Tubería de drenaje (diám. ext. 1 pulg. (26 mm))	1
Ⓒ	Herramientas de instalación (véase 1-3.)	1
Ⓓ	Cable de conexión interior/exterior*	1
Ⓔ	Perno de suspensión (W3/8)	4
Ⓕ	Tuerca con brida (W3/8)	8
Ⓖ	Tuerca (W3/8)	4
Ⓗ	Material aislante para Ⓐ (Polietileno en espuma resistente al calor, peso específico de 0,045, grosor superior a 1/2 pulg. (14 mm))	1
Ⓙ	Material aislante para Ⓑ (Polietileno en espuma, peso específico de 0,03, grosor superior a 3/8 pulg. (10 mm))	1

Ⓚ	Manguito del orificio de la pared	1
Ⓛ	Piezas para tapan la abertura en la pared (masilla, cubierta)	1
Ⓜ	Banda de fijación de la tubería	2 - 7
Ⓝ	Tornillo de fijación para Ⓜ	2 - 7
Ⓟ	Cinta para tubería	1 - 5

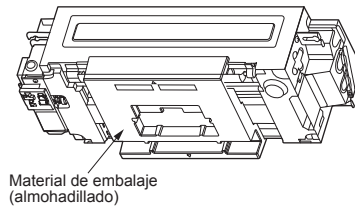
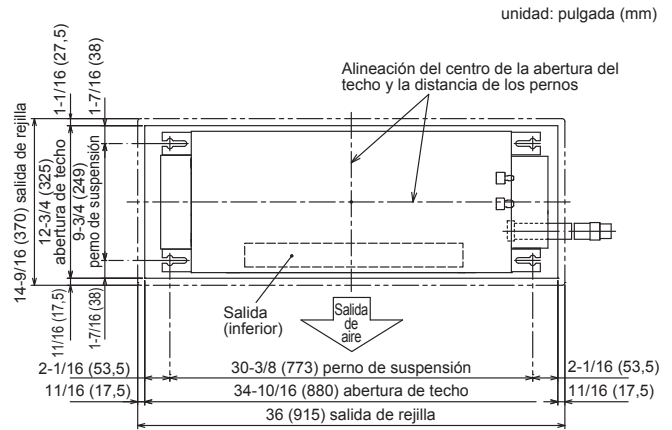
#### \* Nota:

Coloque el cable de conexión de las unidades interior/exterior ① al menos a 3 pies (1 m) de distancia del cable de la antena de televisión.

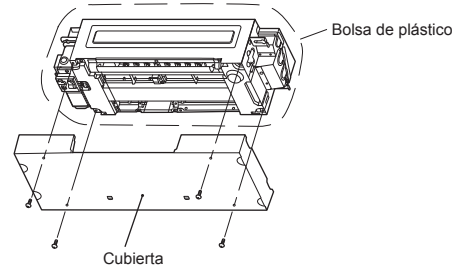
## 2. INSTALACIÓN DE LA UNIDAD INTERIOR

### 2-1. LUGARES DE INSTALACIÓN DE LAS ABERTURAS EN EL TECHO Y LOS PERNOS DE SUSPENSIÓN

- Instale la unidad interior como mínimo 7 pies (2,2 m) por encima del nivel del suelo.
- Para aparatos que no están disponibles para el público general.
- La conexión de los tubos de refrigerante debe encontrarse en un lugar accesible para poder realizar las operaciones de mantenimiento.
- Realice una abertura en el techo de 12-3/4 × 34-10/16 pulg. (325 mm × 880 mm) de tamaño. Esta abertura funciona como ventana de comprobación y será necesaria durante el servicio.
- Si las dimensiones no son exactas, cuando se instale la rejilla podrían quedar huecos entre ella y la unidad interior. Esto podría provocar goteos de agua y otros problemas.
- Para decidir el emplazamiento, considere cuidadosamente el espacio alrededor en el techo y deje unas medidas generosas.
- Hay muchos tipos de techos y de construcciones. Así pues, consulte al constructor y al decorador.
- Utilice la plantilla de instalación ④ (parte superior del paquete) y la regla (suministrada como accesorio con la rejilla) para efectuar una abertura en el techo que permita instalar la unidad principal tal y como se muestra en el diagrama. (Se muestra el método para utilizar la plantilla y la regla).
- Utilice los pernos de suspensión W3/8 ⑤.
- Tras suspender la unidad interior, deberá conectar las tuberías y los cables por el techo. Una vez fijado el lugar y la dirección de las tuberías, tienda las tuberías de refrigerante y de drenaje, así como los cables que conectan las unidades interior y exterior en sus lugares antes de suspender la unidad interior. Esto es especialmente importante en casos en que el techo ya existe.

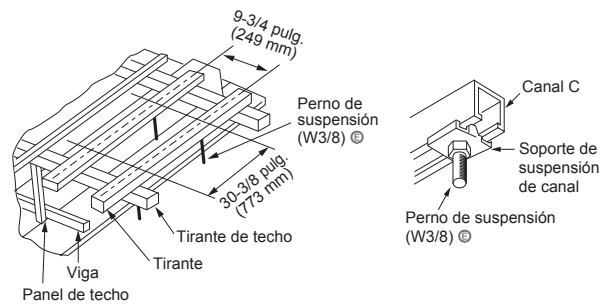


- Retire el material de embalaje (almohadillado) antes de instalar la bolsa de plástico y la cubierta.
- Para evitar la entrada de polvo, proteja la unidad interior cubriéndola con la bolsa de plástico y la cubierta.
- Retire la bolsa de plástico y la cubierta antes de instalar la rejilla (opcional).



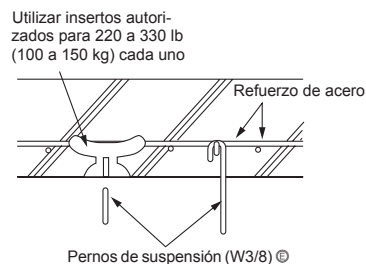
#### 1) Estructuras de madera

- Utilice tirantes (casas de una planta) o tirantes para segundas plantas (casa de dos plantas) como refuerzos.
- Los tirantes de madera para acondicionadores de aire suspendidos deben ser resistentes y sus lados deben tener al menos 2-5/16 pulg. (60 mm) de longitud si se separan menos de 35-3/8 pulg. (900 mm) y al menos 3-1/2 pulg. (90 mm) de longitud si se separan hasta 6 pies (1800 mm).
- Utilice canales, conductos y otras piezas suministradas localmente para suspender la unidad interior.



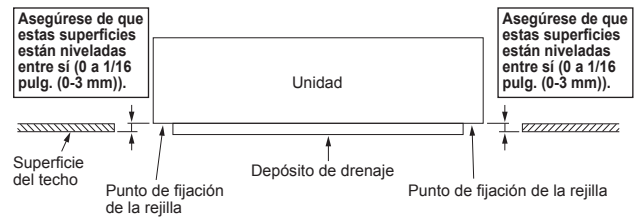
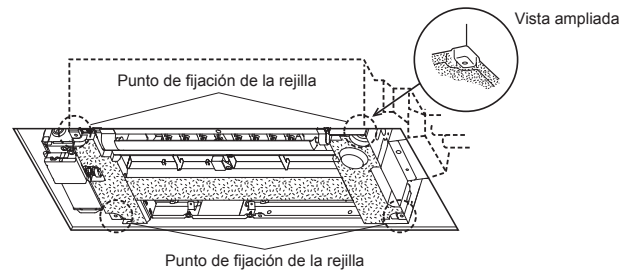
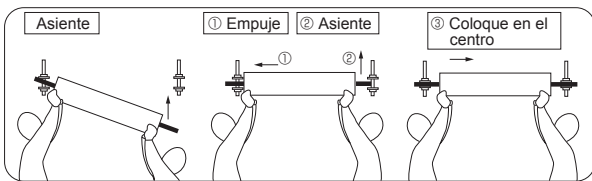
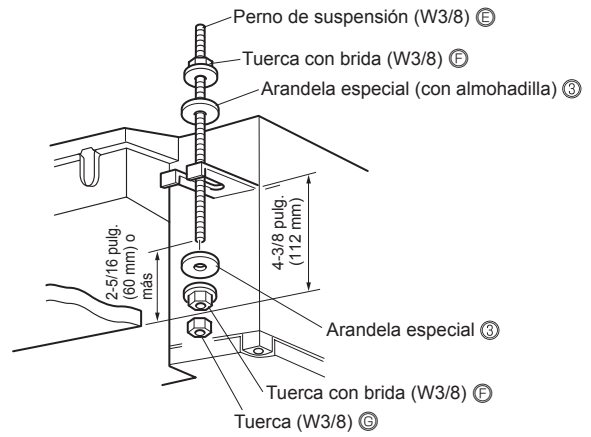
#### 2) Estructuras de hormigón armado

- Asegure los pernos de suspensión siguiendo el método ya descrito o utilice colgadores de acero o madera, etc. para instalar los pernos de suspensión ⑤.
- Al colocar la unidad con su superficie inferior mirando hacia abajo, coloque el material de embalaje (almohadillado) debajo para evitar daños en los deflectores horizontales.



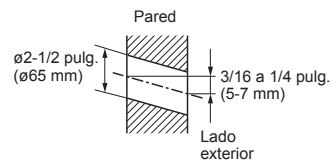
### Procedimientos de suspensión de la unidad

- Ajuste la longitud de la protuberancia del perno a partir de la superficie del techo.
  - Compruebe el paso del perno de suspensión ⑤.  
(9-3/4 × 30-3/8 pulg. (249 mm × 773 mm))
- Coloque primero una arandela especial ③ y sus tuercas ⑥ en el perno de suspensión ⑤.
    - Haga esto en el orden siguiente (desde arriba): tuerca ⑥, arandela especial con almohadilla ③, arandela especial ③, tuerca ⑥, tuerca ⑥.
    - Coloque la arandela especial y su almohadilla ③ con la superficie aislada mirando hacia abajo, tal y como aparece en la figura.
  - Levante la unidad hasta su lugar, alineada correctamente con el perno de suspensión ⑤. Pase el soporte entre la arandela especial con almohadilla ③ y la arandela especial ③, que ya se encuentran colocadas, y fíjelo. Haga lo mismo en los cuatro puntos.
    - Asegúrese de que el perno de suspensión ⑤ se extiende 2-3/4 pulg. (70 mm) o más desde la superficie del techo. De lo contrario no podrá instalar la rejilla (opcional).
    - \* Si los puntos de fijación de la rejilla no están a nivel de la superficie del techo, podría condensarse agua o el panel podría no abrirse/cerrarse.**
  - Si la abertura larga del soporte y la abertura del techo no están alineadas, ajústelas hasta que lo hagan.
  - Mediante un nivel de burbuja, compruebe que las cuatro posiciones para asentar la rejilla estén niveladas.
  - Apriete todas las tuercas.



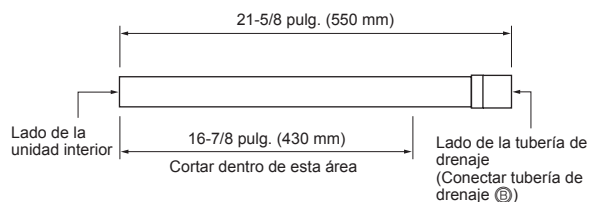
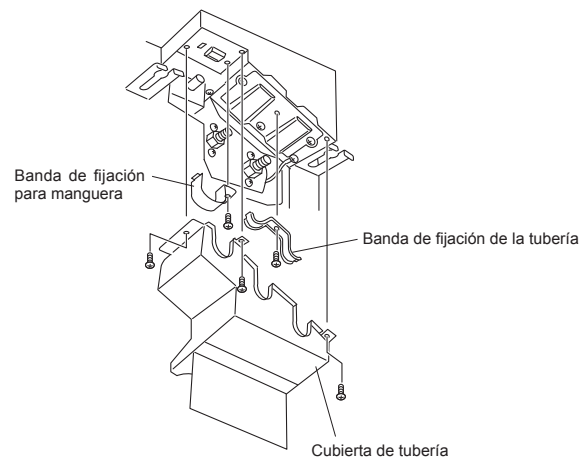
### 2-2. TALADRADO DE ORIFICIOS

- Determine la posición de los orificios en la pared.
- Taladre un orificio de 2-1/2 pulg. (65 mm) de diámetro. El lado exterior debe quedar entre 3/16 pulg. (5 mm) y 1/4 pulg. (7 mm) más bajo que el lado interior.
- Inserte el manguito del orificio de la pared ④.



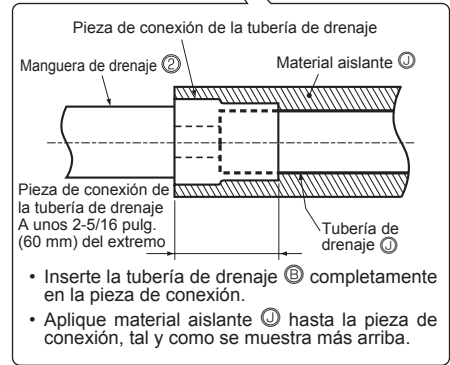
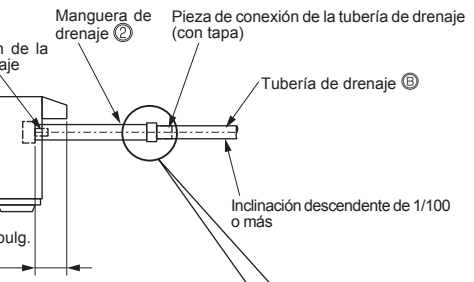
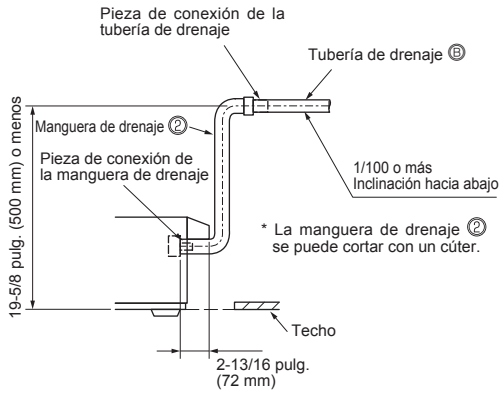
### 2-3. TUBERÍA DE DRENAJE

- Utilice la tubería de drenaje ② para el drenaje. Asegúrese de conectar las uniones de tuberías utilizando adhesivo de la familia del cloruro de polivinilo para evitar fugas.
- Antes de tender las tuberías de drenaje, retire las cubiertas, la banda de fijación de la manguera y de la tubería, y el espaciador (almohadillado). Deseche el espaciador (almohadillado), porque no lo va a necesitar.
- La manguera de drenaje ② tiene 21-5/8 pulg. (550 mm) de longitud, por lo que la salida de drenaje se puede elevar. Corte la manguera de drenaje ② a la longitud adecuada antes de conectarla.



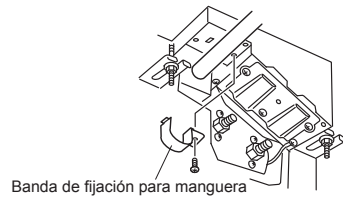


- Conecte la tubería de drenaje ③ directamente a la pieza de conexión (lado de la tapa) de la manguera de drenaje ②.
- Asegúrese de conectar la manguera de drenaje ② al lado de la unidad interior tal y como aparece en la ilustración de la derecha. Asegúrese de conectar la pieza de conexión de la manguera de drenaje utilizando un adhesivo de la familia del cloruro de polivinilo para evitar fugas.
- Para elevar la salida de drenaje, primero tienda la manguera de drenaje ② hacia arriba en vertical y, a continuación, prepare una inclinación descendente de 1/100 o más, tal y como se muestra en la siguiente ilustración.

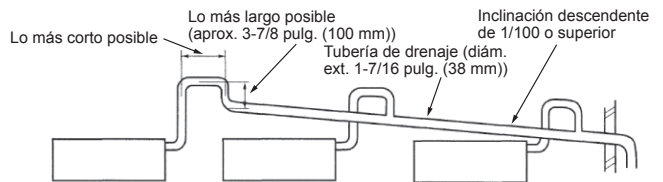
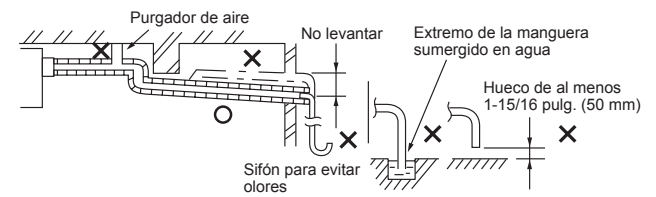
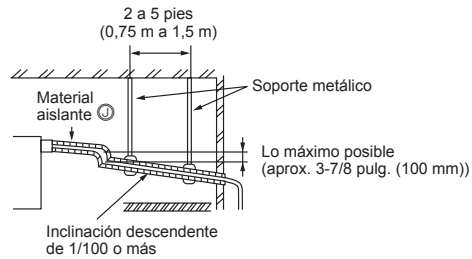


- Si la tubería de drenaje pasa al interior, asegúrese de aplicar material aislante ④ (polietileno en espuma, peso específico de 0,03, grosor superior a 3/8 pulg. (10 mm)).

Conecte la pieza de conexión de la manguera de drenaje utilizando un adhesivo de la familia del cloruro de polivinilo antes de instalar la banda para la manguera.



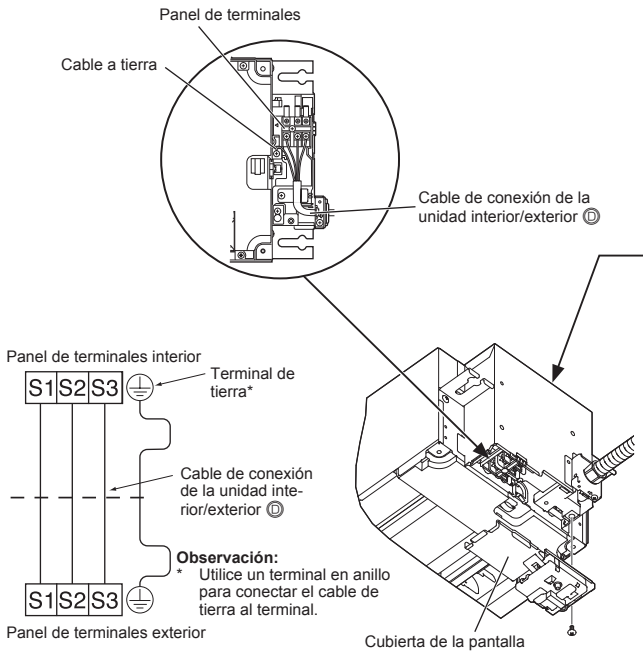
- Aplique material aislante ④ hasta la pieza de conexión, tal y como se muestra en la figura de arriba a la derecha.
- La tubería de drenaje debería formar una inclinación descendente (1/100 o más) hacia la salida de drenaje exterior. No forme un sifón ni eleve la tubería.
- No tienda la tubería horizontalmente durante más de 65 pies (20 m). Si el tendido de drenaje es demasiado largo, utilice soportes metálicos para evitar que la tubería forme una curva arriba y abajo. Asegúrese de no instalar un purgador de aire. (Como el mecanismo elevador de drenaje está integrado, el agua de drenaje podría salir).
- No es necesario crear un sifón para evitar olores en la salida de drenaje.
- Para el tendido agrupado, tienda las tuberías de modo que el grupo quede unos 3-7/8 pulg. (100 mm) por debajo de la salida de drenaje de la unidad, tal y como aparece en la figura. Utilice un tubo de drenaje (diám. ext. 1-7/16 pulg. (38 mm)) para el tendido agrupado y realice el tendido de manera que forme una inclinación descendente de aprox. 1/100 o más.
- No coloque la tubería de drenaje directamente en un lugar donde se forme gases de amoníaco o gases sulfúricos, como depósitos de aguas residuales o fosas sépticas.



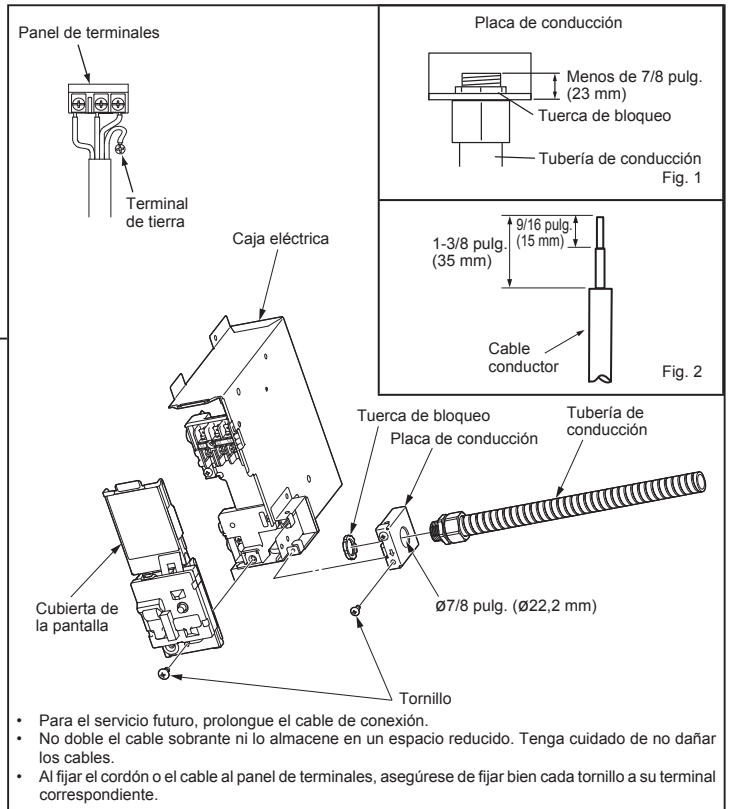
## 2-4. CABLES DE CONEXIÓN PARA LA UNIDAD INTERIOR

**Nota:** La unidad debería instalarla un proveedor/electricista autorizado. Si así lo exigen las normativas nacionales, estatales y locales aplicables, deberá instalarse un interruptor de desconexión cuando la alimentación de la unidad interior provenga de la unidad exterior.

- 1) Retire la cubierta de la pantalla.
- 2) Retire la placa de conducción.
- 3) Una la tubería de conducción a la placa de conducción con la tuerca de fijación. El cable de conexión de la unidad interior/exterior ① que procede desde el interior de la tubería de conducción debe ser menor de 7/8 pulg. (23 mm). (Fig. 1)
- 4) Procese el extremo del cable de tierra (Fig. 2). Conéctelo al terminal de tierra de la caja de piezas eléctricas.
- 5) Procese el extremo del cable de conexión de la unidad interior/exterior ① (Fig. 2). Conéctelo al panel de terminales. Procure no equivocarse al hacer las conexiones. Fije con firmeza el cable al panel de terminales de modo que no quede a la vista ninguna de sus piezas internas y que ninguna fuerza externa afecte a la sección de conexión del panel de terminales.
- 6) Apriete bien los tornillos de los terminales. Una vez apretados los tornillos, compruebe que los cables estén bien fijados.
- 7) Vuelva a instalar la placa de conducción.
- 8) Pase el cable de conexión de las unidades interior/exterior ① hasta el extremo del cable.
- 9) Afloje el tornillo del terminal y conecte primero el cable de tierra; a continuación, conecte el cable de conexión de la unidad interior/exterior ① al panel de terminales. Procure no equivocarse al hacer las conexiones. Fije con firmeza el cable al panel de terminales de modo que no quede a la vista ninguna de sus piezas internas, y que no se aplique ninguna fuerza externa a la sección de conexión del panel de terminales.
- 10) Apriete bien los tornillos de los terminales para que no se aflojen. Una vez apretados, tire ligeramente de los cables para confirmar que no se mueven.
- 11) Vuelva a instalar la cubierta de la pantalla.



- Para el servicio futuro, prolongue el cable de conexión.



- Para el servicio futuro, prolongue el cable de conexión.
- No doble el cable sobrante ni lo almacene en un espacio reducido. Tenga cuidado de no dañar los cables.
- Al fijar el cordón o el cable al panel de terminales, asegúrese de fijar bien cada tornillo a su terminal correspondiente.

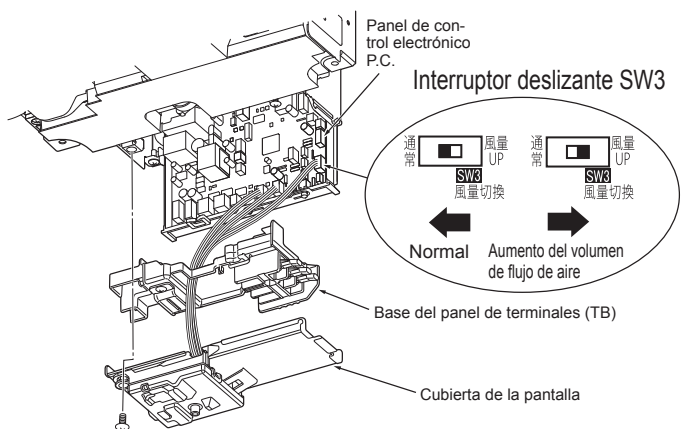
**Si el techo está por encima de 8 pies (2,4 m) y por debajo de 9 pies (2,7 m)** Mueva el interruptor deslizante (SW3) hacia la derecha para aumentar el volumen de flujo de aire.

\* Si el techo supera los 9 pies (2,7 m) de altura, el volumen de flujo de aire puede resultar insuficiente aunque haya colocado el interruptor deslizante (SW3) en la posición de "flujo aumentado".

- 1) Asegúrese de que el disyuntor del acondicionador de aire está DESCONECTADO.
- 2) Retire la cubierta de la pantalla de la unidad interior.
- 3) Deslice el panel de control electrónico P.C. hacia afuera y conecte el interruptor deslizante (SW).
- 4) Vuelva a colocar el panel de control electrónico P.C. en su posición original e instale la cubierta de la pantalla.

**Nota:**

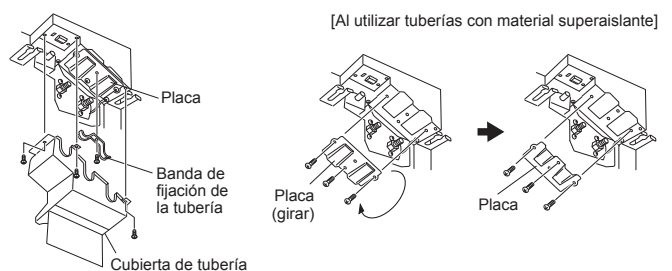
- Elimina la electricidad estática antes del ajuste.
- El ajuste predeterminado es Normal.



## 3. TRABAJOS DE ABOCARDADO Y CONEXIÓN DE TUBERÍAS

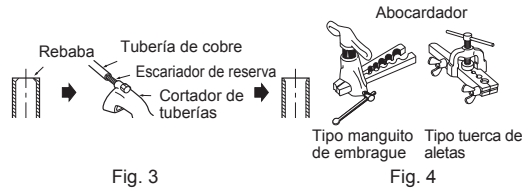
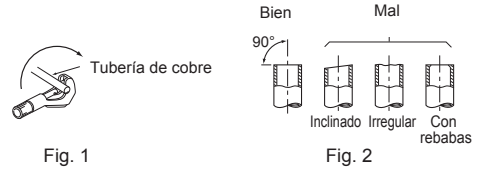
### 3-1. INSTALACIÓN DE TUBERÍAS

- 1) Retire las cubiertas, la banda de fijación de la manguera y de la tubería, y el espaciador (almohadillado) de la unidad interior. Deseche el espaciador (almohadillado), porque no lo va a necesitar.
- 2) Al utilizar tuberías con material superaislante (aprox.  $\phi$ 1-7/8 pulg. ( $\phi$ 48 mm) para tuberías de líquido,  $\phi$ 2 pulg. ( $\phi$ 51 mm) para tuberías de gas) para la tubería de conexión de la unidad interior, retire la placa y déle la vuelta de forma que la parte cóncava mire hacia arriba.

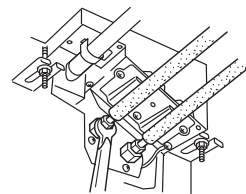
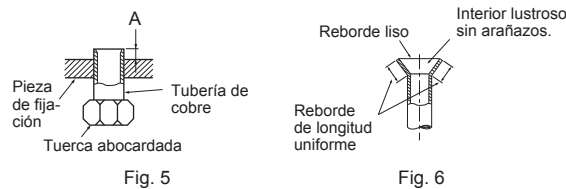


### 3-2. TAREAS DE ABOCARDAMIENTO

- Corte el tubo de cobre correctamente con un cortador de tubos. (Fig. 1, 2)
- Elimine completamente las rebabas del corte transversal del tubo. (Fig. 3)
  - Al eliminar las rebabas, ponga el extremo de la tubería de cobre hacia abajo para evitar que queden en el interior.
- Una vez eliminadas las rebabas, extraiga las tuercas abocardadas colocadas en las unidades interior y exterior y póngalas en el tubo. (Cuando se ha terminado el proceso de abocardado ya no se pueden poner).
- Labores de abocardamiento (Fig. 4, 5). Sujete firmemente el tubo de cobre de la dimensión que se muestra en la tabla. Seleccione A pulgadas (mm) en la tabla según la herramienta que emplee.
- Compruebe
  - Compare el abocardado con la Fig. 6.
  - Si el abocardado se ve defectuoso, corte la sección abocardada y repita el proceso de abocardado.



Diámetro del tubo pulgadas (mm)	B en pulgadas (mm)	A en pulgadas (mm)			Par de torsión	
		Herramienta tipo embrague para R410A	Herramienta tipo embrague para R22	Herramienta tipo tuerca de mariposa para R22	pies-lb (kgf·cm)	N·m
ø1/4 (6,35)	21/32 (17)	0 - 0,02 (0 - 0,5)	0,04 - 0,06 (1,0 - 1,5)	0,06 - 0,08 (1,5 - 2,0)	10 - 13 (140 - 180)	13,7 - 17,7
ø3/8 (9,52)	7/8 (22)			0,08 - 0,10 (2,0 - 2,5)	25 - 30 (350 - 420)	34,4 - 41,2
ø1/2 (12,7)	1-1/32 (26)			36 - 42 (500 - 580)	49,1 - 56,9	
ø5/8 (15,88)	1-5/32 (29)			54 - 58 (750 - 800)	73,5 - 78,5	



### 3-3. CONEXIÓN DE TUBERÍAS

- Si vuelve a conectar los tubos de refrigerante después de desmontarlos, asegúrese de que se haya reconstruido la parte abocardada del tubo.
- Apriete una tuerca abocardada con una llave dinamométrica tal y como se especifica en la tabla.
- Si la aprieta demasiado, la tuerca abocardada podría romperse transcurrido un tiempo, causando pérdidas de refrigerante.
- Asegúrese de colocar el aislante alrededor de las tuberías. El contacto directo con la tubería puede ocasionar quemaduras o congelación.

#### Conexión de la unidad interior

- Conecte las tuberías de líquido y de gas a la unidad interior.
- Aplique una capa fina de aceite refrigerante en la superficie de asiento de la tubería.
- Para hacer la conexión, alinee primero el centro y luego déle a la tuerca abocardada las primeras 3 a 4 vueltas.
- Utilice la tabla de pares de torsión que aparece más arriba como guía para la sección de unión lateral y apriete empleando dos llaves. Procure no apretar demasiado, ya que podría deteriorar la sección abocardada.

#### Conexión de la unidad exterior

- Conecte las tuberías a las uniones de tubería de las válvulas de retención de la unidad exterior siguiendo el mismo procedimiento empleado en la unidad interior.
- Para apretar, emplee una llave dinamométrica o una llave de tuercas y utilice el mismo par de torsión aplicado en la unidad interior.

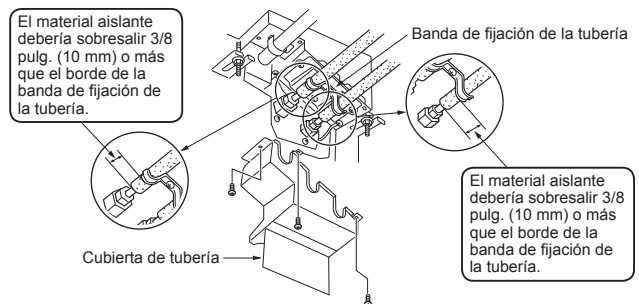
**⚠ ATENCIÓN**  
**Al instalar la unidad, conecte las tuberías de refrigerante de forma fija antes de poner en marcha el compresor.**

### 3-4. INSTALACIÓN DE LA CUBIERTA DE TUBERÍA

Asegúrese de instalar la cubierta de tubería. Una instalación incorrecta puede causar fugas de agua.

- No es necesario ningún aislante en la pieza de conexión de la tubería en la parte interior para esta unidad. La cubierta de tubería recoge el agua condensada alrededor de la pieza de conexión de tuberías.

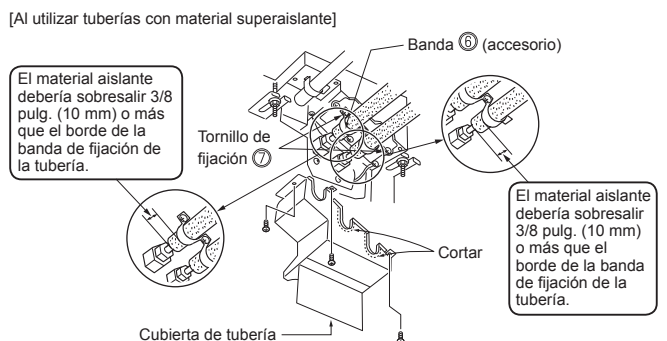
- Instale la banda de fijación de la tubería retirada en los pasos 3-1. para asegurar las tuberías de conexión.
  - La banda de fijación de la tubería debería sujetar el material aislante de la tubería de conexión. El material aislante debería sobresalir 3/8 pulg. (10 mm) o más que la banda de fijación de la tubería, tal y como se muestra en la figura de la derecha.
- Instale la cubierta de la tubería.



#### Al utilizar tuberías con material superaislante

(aprox. ø1-7/8 pulg. (ø48 mm) para tuberías de líquido, ø2 pulg. (ø51 mm) para tuberías de gas)

- Asegúrese de que la placa está dada la vuelta y que la parte cóncava mira hacia arriba. (Véase 3-1.)
- Utilice la banda ⑥ suministrada con la unidad. (No utilice la banda de fijación de la tubería fijada a la unidad).
- La salida de tubería de conexión de la cubierta de la tubería ya está precortada. Córtaela a lo largo de la línea.
- Instale la cubierta de la tubería.



#### Nota:

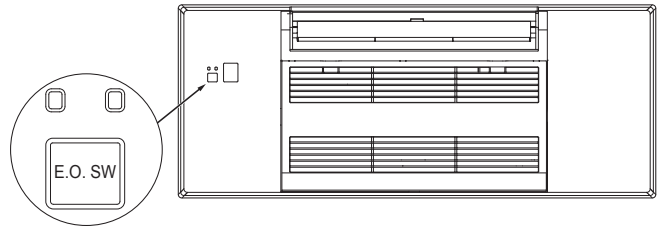
Instale la cubierta y la banda de fijación de la tubería de forma segura. Una instalación incompleta hará que gotee agua de la unidad, mojando y dañando los bienes de la casa.

## 4. FUNCIONAMIENTO DE PRUEBA

### 4-1. FUNCIONAMIENTO DE PRUEBA

- No maneje la unidad durante periodos largos de tiempo en lugares como un edificio en construcción. Esto podría hacer que se adhiera polvo u olores a la unidad.
- Siempre que sea posible, realice el funcionamiento de prueba en presencia del usuario.

- 1) Pulse el interruptor E.O. SW una vez para el funcionamiento de REFRIGERACIÓN y dos veces para el funcionamiento de CALEFACCIÓN. El funcionamiento de prueba se realizará durante 30 minutos. Si la luz izquierda del indicador de funcionamiento parpadea cada 0,5 segundos, compruebe que el cable de conexión ① de la unidad interior/exterior no esté mal conectado. Tras el funcionamiento de prueba, se iniciará el modo de emergencia (temperatura de ajuste 75°F (24°C)).
- 2) Para detenerlo, pulse varias veces el interruptor E.O. SW hasta que se apaguen todas las luces de los indicadores. Si desea más detalles, consulte el manual de instrucciones.



#### Verificación de la recepción de señales (infrarrojos) del controlador remoto

Pulse el botón OFF/ON del controlador remoto ② y compruebe que desde la unidad interior se oye un sonido electrónico. Vuelva a pulsar el botón OFF/ON para apagar el equipo de aire acondicionado.

- Una vez apagado el compresor, se activa el dispositivo de protección del equipo de aire acondicionado que lo mantiene apagado durante 3 minutos.

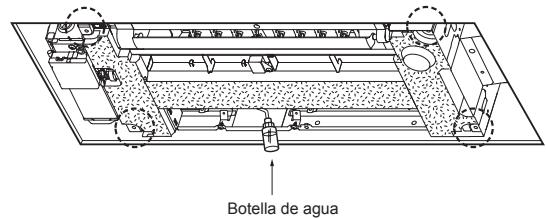
#### Comprobación del drenaje de agua

- 1) Llene el depósito de drenaje con 0,9–1,0 litros de agua. (No vierta agua directamente en la bomba de drenaje).
- 2) Efectúe el funcionamiento de prueba de la unidad (en modo de Refrigeración).
- 3) Compruebe el drenaje de agua en la salida de la tubería de drenaje.
- 4) Detenga el funcionamiento de prueba. (No olvide desconectar la alimentación).

### 4-2. CONTROL DEL DRENAJE DE AGUA SOLO PARA LA UNIDAD INTERIOR

Si no se ha completado el trabajo de cableado, conecte los terminales S1 y S2 del panel de terminales interior a una fuente de alimentación monofásica de 230 V.

- 1) Inicie la prueba de funcionamiento de la bomba de drenaje.
- Pulse el interruptor de funcionamiento de emergencia durante 5 segundos (hasta que escuche un pitido) para iniciar la operación solamente de la bomba de drenaje.
- Las dos luces de control de la operación empiezan a parpadear.
- 2) Detenga la prueba de funcionamiento de la bomba de drenaje.
- Vuelva a pulsar el interruptor de funcionamiento de emergencia para detener la operación de la bomba de drenaje. Aunque no detenga la bomba de drenaje, se detendrá automáticamente pasados 15 minutos.
- Las luces de control de la operación se apagan.



### 4-3. FUNCIÓN DE PUESTA EN MARCHA AUTOMÁTICA

Este producto dispone de la función de puesta en marcha automática. Si la alimentación eléctrica falla durante el funcionamiento, por ejemplo si se produce un apagón, esta función hace que una vez reanudada la alimentación el funcionamiento se produzca automáticamente con la configuración anterior. (Si desea más detalles, consulte el manual de instrucciones).

### 4-4. EXPLICACIÓN PARA EL USUARIO

- Basándose en el MANUAL DE INSTRUCCIONES, explique al usuario cómo utilizar el equipo de aire acondicionado (cómo utilizar el controlador remoto, como retirar los filtros de aire, cómo retirar o colocar el control remoto en el soporte para el controlador remoto, cómo limpiar, precauciones para el funcionamiento, etc.)
- Aconseje al usuario que lea atentamente el MANUAL DE INSTRUCCIONES.

#### Cuidado:

- Después del funcionamiento de prueba o de la verificación de la recepción de señales remotas, apague la unidad con el interruptor E.O. SW o con el controlador remoto antes de desconectar el enchufe de alimentación. Si no lo hace la unidad se pondrá en marcha automáticamente al volver a conectar la alimentación.

#### Para el usuario

- Después de instalar la unidad, asegúrese de que explica al usuario los detalles de la función de puesta en marcha automática.
- Si la función de puesta en marcha automática no es necesaria, puede desactivarse. Consulte al representante técnico para desactivar esta función. Si desea más detalles, consulte las instrucciones de funcionamiento.

## 5. INSTALACIÓN DE LA REJILLA (OPCIONAL)

Consulte los procedimientos indicados en el manual de instalación de la rejilla (opcional).

## 6. BOMBEO DE VACIADO

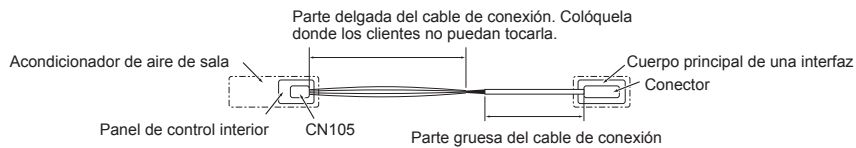
Consulte los procedimientos indicados en el manual de instalación de la unidad exterior.

### ⚠ ATENCIÓN

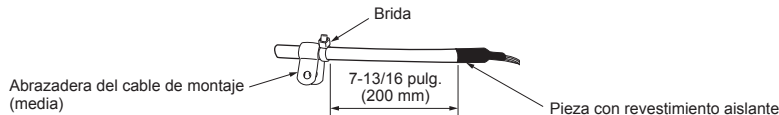
**Cuando el circuito de refrigeración tiene una fuga, no realice el bombeo de vacío con el compresor.  
Al bombear el refrigerante, detenga el compresor antes de desconectar las tuberías de refrigerante. El compresor podría explotar si entra aire, etc. en su interior.**

## 7. CONECTAR UNA INTERFAZ (OPCIONAL) AL ACONDICIONADOR DE AIRE

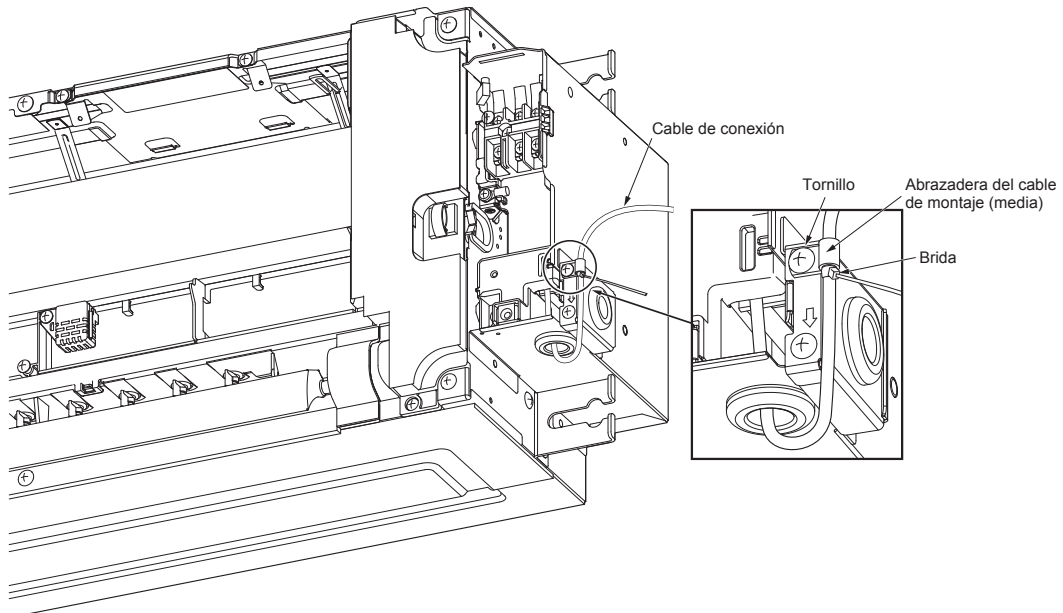
- Conecte una interfaz al panel de control interior del acondicionador de aire con un cable de conexión.
- Si corta o empalma el cable de conexión de la interfaz se producirán problemas en la conexión. No permita que se enrollen entre ellos el cable de conexión con el cable de alimentación, el cable de conexión interior/externo y el cable de tierra. Mantenga la distancia máxima posible entre el cable de conexión y esos cables.
- La parte delgada del cable de conexión debe guardarse y situarse en un lugar donde los clientes no puedan tocarla.



- 1) Fije la brida al cable de conexión a 7-13/16 pulg. (200 mm) de la pieza con revestimiento aislante. Coloque la abrazadera del cable de montaje (media) al lado de la interfaz de la brida.



- 2) Retire la rejilla. (si la rejilla ya ha sido instalada)
- 3) Retire la cubierta de la pantalla.  
Véase 2-4. CABLES DE CONEXIÓN PARA LA UNIDAD INTERIOR.
- 4) Deslice el panel de control de la unidad interior hacia fuera y conecte el cable de conexión a CN105 y/o a CN24 en el panel de control de la unidad interior.
- 5) Retire el tornillo mostrado en la ampliación. Pase el cable de conexión como se muestra en fotografía siguiente. Fije la abrazadera del cable de montaje (media), acoplado al cable de conexión, con el tornillo.



- 6) Vuelva a instalar el panel de control interior y la cubierta de la pantalla.
- 7) Vuelva a instalar la rejilla.

### ⚠ ATENCIÓN

**Fije de forma segura el cable de conexión en la posición prescrita.  
Una instalación incorrecta puede provocar descargas eléctricas, fuego o fallos de funcionamiento.**

## TABLE DES MATIERES

1. AVANT L'INSTALLATION.....1	6. PURGE.....10
2. INSTALLATION DE L'UNITÉ INTERNE.....4	7. CONNEXION D'UNE INTERFACE (OPTION) AU CLIMATISEUR.....10
3. TRAVAUX D'ÉVASEMENT ET RACCORDEMENT DES TUYAUX.....7	
4. ESSAI DE FONCTIONNEMENT.....9	La présente notice d'installation concerne uniquement l'unité interne. Reportez-vous au manuel de type MXZ pour l'installation de l'unité externe.
5. INSTALLATION DE LA GRILLE (EN OPTION).....9	

## Outils nécessaires à l'installation

Tournevis Phillips	Outil d'évasement pour le modèle R410A
Niveau	Tubulure de jauge pour le modèle R410A
Règle graduée	Pompe à vide pour le modèle R410A
Couteau tout usage ou paire de ciseaux	Tuyau de charge pour le modèle R410A
Scie-cloche de 2-15/16 in. (75 mm)	Coupe-tuyau avec alésoir
Clé dynamométrique	Bouteille d'eau
Clé à ouverture fixe (ou clé simple)	0,9 à 1,0 l d'eau

## 1. AVANT L'INSTALLATION

## 1-1. INSTRUCTIONS A RESPECTER A TOUT MOMENT PAR MESURE DE SECURITE

- Veuillez lire les "INSTRUCTIONS A RESPECTER A TOUT MOMENT PAR MESURE DE SECURITE" avant de procéder à l'installation du climatiseur.
- Veuillez respecter scrupuleusement les mises en garde contenues dans cette notice car elles concernent des points essentiels à la sécurité.
- Après avoir lu la présente notice, veuillez la conserver avec les INSTRUCTIONS DE FONCTIONNEMENT de l'appareil pour pouvoir la consulter ultérieurement.
- Il est nécessaire de consulter ou d'obtenir l'autorisation de la compagnie d'électricité concernée avant de connecter ce système.

## ⚠ AVERTISSEMENT (Peut entraîner la mort, des blessures graves, etc.)

- **N'installez jamais l'unité seul (utilisateur).**  
Une installation incomplète peut être à l'origine d'un incendie, d'une électrocution, de blessures suite à la chute de l'appareil ou de fuites d'eau. Consulter un revendeur local ou un installateur agréé.
- **Exécuter les travaux d'installation en toute sécurité conformément aux instructions de la notice d'installation.**  
Une installation incomplète peut être à l'origine d'un incendie, d'une électrocution, de blessures suite à la chute de l'appareil ou de fuites d'eau.
- **Lors de l'installation de l'appareil, utiliser l'équipement de protection et les outils adéquats, par mesure de sécurité.**  
Le non-respect de ces recommandations peut être à l'origine de blessures.
- **Par mesure de sécurité, installer l'appareil dans un endroit capable de supporter son poids.**  
Si l'appareil est installé dans un endroit incapable de supporter son poids, il pourrait tomber et blesser quelqu'un.
- **Tout travail sur le système électrique doit être exécuté par un électricien qualifié et expérimenté conformément au manuel d'installation. Veiller à utiliser un circuit exclusif. Ne raccorder aucun autre appareil électrique sur le circuit du climatiseur.**  
Un circuit électrique de capacité insuffisante ou une installation incorrecte peuvent être à l'origine d'un incendie ou d'une électrocution.
- **Raccordez correctement l'unité à la terre.**  
Ne pas raccorder le câble de terre à un tuyau de gaz, une conduite d'eau, un paratonnerre ou le câble de terre d'un téléphone. Une mise à la terre défectueuse pourrait entraîner un risque d'électrocution.
- **Pour éviter toute détérioration, veillez à ce que les pièces et les vis n'exercent pas de pression excessive sur les câbles.**  
Des fils endommagés pourraient provoquer un incendie ou une électrocution.
- **Toujours couper l'alimentation principale lors de l'installation de la carte à circuits imprimés du panneau de commande de l'unité interne ou lors d'une intervention sur le câblage électrique.**  
Le non-respect de ces recommandations peut être à l'origine d'une électrocution.
- **Utiliser les câbles spécifiés pour raccorder en toute sécurité les unités interne et externe et fixer les câbles solidement aux sections de raccordement des blocs de sorties de façon à ce qu'ils n'exercent aucune pression sur les sections de raccordement. Ne pas prolonger les fils ni utiliser de connexion intermédiaire.**  
Un branchement incomplet et non sécurisé peut provoquer un incendie.
- **Ne pas installer l'appareil dans un endroit exposé à des fuites de gaz inflammable.**  
La fuite et l'accumulation de gaz autour de l'appareil peut entraîner des risques d'explosion.
- **Ne pas utiliser de raccord intermédiaire ou de rallonge pour brancher le cordon d'alimentation et ne pas brancher plusieurs appareils à une même prise secteur.**  
Un mauvais contact, une isolation insuffisante, un courant trop fort, etc. peuvent entraîner des risques d'incendie ou d'électrocution, etc.
- **Veiller à utiliser les pièces fournies ou spécifiées dans la notice lors des travaux d'installation.**  
L'utilisation de pièces défectueuses peut être à l'origine de blessures corporelles ou d'une fuite d'eau suite à un incendie, une électrocution, la chute de l'appareil, etc.
- **Au moment de brancher la fiche d'alimentation dans la prise secteur, veiller à dépoussiérer et nettoyer la fiche et la prise en contrôlant qu'aucun élément n'est desserré. S'assurer que la fiche d'alimentation est enfoncée à fond dans la prise secteur.**  
La présence de poussière, de saleté ou d'éléments desserrés dans la fiche d'alimentation ou la prise secteur peut être à l'origine d'une électrocution ou d'un incendie. Contrôler la fiche d'alimentation et remplacer les éléments desserrés éventuels.
- **Fixer correctement le couvercle de l'affichage de l'unité interne et le panneau de service de l'unité externe.**  
Si le couvercle de l'affichage de l'unité interne et/ou le panneau de service de l'unité externe sont mal fixés, ils risquent de provoquer un incendie ou une électrocution en raison de la poussière, de l'eau, etc. présentes dans le circuit.
- **Lors de l'installation, du déplacement ou de l'entretien de l'appareil, veiller à ce qu'aucune substance autre que le réfrigérant spécifié (R410A) ne pénètre dans le circuit de réfrigération.**  
La présence d'une substance étrangère, comme de l'air dans le circuit, peut provoquer une augmentation anormale de la pression et causer une explosion, voire des blessures. L'utilisation de réfrigérant autre que celui qui est spécifié pour le système provoquera une défaillance mécanique, un mauvais fonctionnement du système, ou une panne de l'appareil. Dans le pire des cas, la sécurité du produit pourrait être gravement mise en danger.
- **Ne pas modifier l'appareil.**  
Cela pourrait provoquer un risque d'incendie, d'électrocution, de blessure ou de fuite d'eau.
- **Ne libérez pas le réfrigérant dans l'atmosphère. Vérifiez l'absence de fuites de gaz réfrigérant une fois l'installation terminée. En cas de fuite de réfrigérant pendant l'installation, aérez la pièce.**  
Si le réfrigérant entre en contact avec un feu, des substances toxiques peuvent se dégager.  
Si le réfrigérant entre en contact avec la flamme d'un appareil de chauffage à ventilation, chauffage d'appoint, poêle, etc., des substances toxiques peuvent se dégager.
- **Utiliser les outils et l'équipement de tuyauterie adaptés à l'installation.**  
La pression du réfrigérant R410A est 1,6 fois supérieure à celle du R22. L'utilisation d'outils ou d'équipements inadaptés et une installation incomplète peuvent provoquer l'éclatement des tuyaux et blesser quelqu'un.
- **Lorsque le circuit de réfrigération présente une fuite, ne pas purger à l'aide du compresseur. Pendant l'opération d'aspiration du réfrigérant, arrêter le compresseur avant de débrancher les tuyaux de réfrigérant.**  
Si les tuyaux de réfrigérant sont débranchés avant l'arrêt du compresseur et si le robinet d'arrêt est ouvert, de l'air pourrait être aspiré et la pression du cycle de réfrigération pourrait monter de façon anormale. Les tuyaux pourraient éclater et blesser quelqu'un.
- **Fixez correctement le câble de connexion à l'emplacement indiqué. Une installation incorrecte risque d'être à l'origine d'un choc électrique, d'un incendie et/ou d'un dysfonctionnement.**
- **Pendant l'installation de l'appareil, brancher correctement les tuyaux de réfrigérant avant de lancer le compresseur.**  
Si le compresseur démarre avant le branchement des tuyaux de réfrigérant et si le robinet d'arrêt est ouvert, de l'air pourrait être aspiré et la pression du cycle de réfrigération pourrait monter de façon anormale. Les tuyaux pourraient éclater et blesser quelqu'un.
- **Fixer un écrou évasé avec une clé dynamométrique comme indiqué dans cette notice.**  
Si l'écrou évasé est trop serré, il pourrait se rompre au bout de plusieurs années et provoquer une fuite de réfrigérant.
- **L'installation de l'appareil doit être conforme aux normes électriques nationales.**
- **Ne faites usage d'aucun moyen visant à accélérer le processus de dégivrage ou à nettoyer autre que ceux recommandés par le fabricant.**
- **L'appareil doit être rangé dans une pièce ne contenant aucune source d'allumage continue (exemple : flammes nues, appareil à gaz ou chauffage électrique).**
- **Ne percez pas et ne brûlez pas l'appareil.**
- **Sachez que les réfrigérants peuvent être inodores.**
- **La tuyauterie doit être protégée contre tout dommage physique.**
- **L'installation de tuyauterie doit être limitée au strict minimum.**
- **Gardez les ouvertures de ventilation libres d'obstruction.**
- **Tenir les appareils à gaz, les radiateurs électriques et autres sources d'incendie (sources d'inflammation) à l'écart des lieux où l'installation, les réparations et autres travaux sur le climatiseur seront effectués.**

Cette notice ne décrit que l'installation de l'unité interne.  
 Pour l'installation de l'unité externe, se reporter à la notice d'installation de l'appareil.

**⚠ PRECAUTION** (Peut provoquer des blessures graves dans certains environnements si l'appareil n'est pas utilisé correctement.)

- **Installez un disjoncteur de fuites à la terre selon l'endroit d'installation.**  
 Si le disjoncteur de fuites à la terre n'est pas installé, un choc électrique peut se produire.
- **Réaliser les travaux de vidange/tuyauterie conformément aux instructions de la notice d'installation.**  
 Si les travaux de vidange/tuyauterie ne sont pas réalisés correctement, de l'eau pourrait s'écouler et endommager le mobilier qui se trouve sous l'appareil.
- **Ne touchez ni à l'entrée d'air ni aux ailettes en aluminium de l'unité externe.**  
 Risque de blessures.
- **Ne pas installer l'unité externe à proximité de l'habitat d'animaux de petite taille.**  
 Si des animaux de petite taille pénètrent dans l'unité et entrent en contact avec les composants électriques, ils pourraient provoquer un dysfonctionnement, des émissions de fumée ou un incendie. Il convient également de conseiller à l'utilisateur de nettoyer régulièrement la périphérie de l'unité.
- **Ne faites pas fonctionner le climatiseur pendant des travaux de construction et de finition intérieurs, ou lorsque vous cirez le sol.**  
 Avant d'utiliser le climatiseur, ventilez bien le local après exécution de ce type de travaux. Dans le cas contraire, des éléments volatils pourraient adhérer à l'intérieur du climatiseur et provoquer une fuite d'eau ou la formation de rosée.

## 1-2. CHOIX DE L'EMPLACEMENT D'INSTALLATION

### UNITE INTERNE

- Emplacement favorisant la circulation de l'air.
- Emplacement favorisant une bonne répartition de l'air froid (ou chaud) dans la pièce.
- Emplacement ne favorisant pas une exposition aux rayons directs du soleil. Ne pas exposer aux rayons directs du soleil pendant la période entre le déballage et l'utilisation.
- Emplacement permettant d'effectuer facilement la vidange de l'appareil.
- Emplacement à une distance de 3 ft. (1 m) minimum du téléviseur et du poste de radio. Le fonctionnement du climatiseur peut interférer avec la réception radio ou TV. Il peut s'avérer nécessaire de brancher un amplificateur sur l'appareil concerné.
- Emplacement aussi éloigné que possible des lampes fluorescentes et à lumière incandescente. Ceci afin que le climatiseur puisse capter les signaux infrarouges envoyés par la télécommande. La chaleur générée par ces lampes peut entraîner une déformation ou les ultraviolets peuvent entraîner une détérioration.
- Emplacement permettant de retirer et de changer facilement le filtre à air.
- Emplacement éloigné de sources de chaleur ou de vapeur.

### TELECOMMANDE

- Emplacement dont l'accès est facile et visible.
- Emplacement hors de portée des enfants.
- Choisissez un emplacement se trouvant à 4 ft. (1,2 m) au dessus du sol environ, assurez-vous que l'unité interne reçoit sans problème les signaux envoyés par la télécommande à partir de cet emplacement (un ou deux signaux sonores indiquent que la réception est bonne). Puis, fixez le support de la télécommande sur un pilier ou un mur et placez-y la télécommande sans fil.

**Remarque :**

L'unité interne peut ne pas recevoir les signaux de la télécommande dans une pièce dont le système d'éclairage est à lampes fluorescentes à oscillateur intermittent.

**Remarque :**

Pour éviter tout problème de fonctionnement, évitez d'installer le climatiseur dans les endroits suivants :

- En présence de fuites de gaz inflammable.
- En présence d'une grande quantité d'huile de machine.
- Dans des endroits exposés à des projections d'huile ou dont l'atmosphère est chargée d'huile (tels que les centres de cuisson et les usines susceptibles de modifier et d'altérer les caractéristiques du plastique).
- Dans les régions où l'air est très salin, comme en bord de mer.
- En présence de gaz sulfurés qui se dégagent par exemple des sources chaudes ou des eaux usées.
- En présence d'équipements haute fréquence ou sans fil.
- En présence d'émissions importantes de COV (composés organiques volatiles), dont les composés de phtalate, le formaldéhyde etc., qui peuvent provoquer un craquage chimique.
- L'appareil sera entreposé de manière à prévenir tout dommage mécanique.

## 1-3. FICHE TECHNIQUE

### 1-3-1. BRANCHEMENT DU CABLE DE CONNEXION DE L'UNITE INTERNE/EXTERNE

- Les travaux de câblage doivent respecter les normes techniques en vigueur.
- Les raccordements doivent correspondre au schéma de câblage.
- Serrez fermement les vis.

#### Raccordement des câbles et du câble de terre

- Utiliser un conducteur massif min. AWG14 ou un conducteur toronné min. AWG14.
- Utilisez un câble en cuivre à double blindage avec isolation 600 V.
- Utilisez des conducteurs en cuivre uniquement.
- \* Respectez la réglementation électrique locale en vigueur.

**Remarque :**

Lorsque l'unité interne est alimentée par l'unité externe, vous devez installer un sectionneur sur un circuit électrique conformément à la réglementation locale en vigueur.

### 1-3-2. CONDUITES DE REFRIGERANT

- Pour éviter la formation de condensation, isolez les deux conduites de réfrigérant.

**Remarque :**

Utilisez toujours un matériau d'isolation de l'épaisseur spécifiée (tableau à droite). Une isolation trop épaisse peut être à l'origine d'une installation incorrecte de l'unité interne ; une isolation trop fine peut provoquer la formation de condensation.

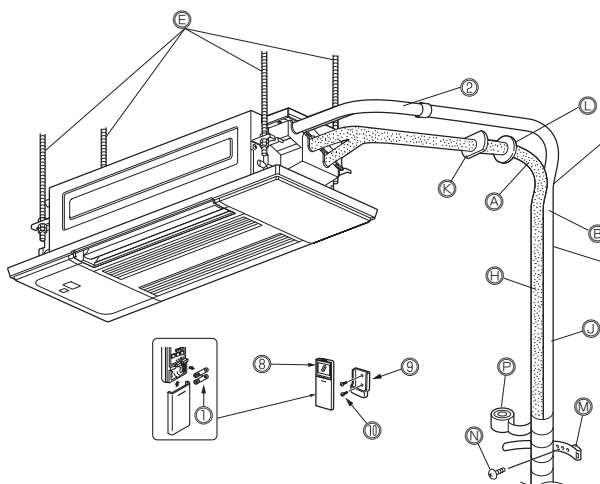
- L'unité comporte des raccordements évasés sur les faces intérieure et extérieure.
- Retirez le couvercle de vanne de l'unité externe et raccordez le tuyau.
- Les conduites de réfrigérant servent à raccorder les unités interne et externe.
- Veillez à ne pas écraser ni plier de manière excessive le tuyau lors de sa mise en forme.

#### Spécifications électriques

UNITE INTERNE		
Alimentation (V, PHASE, Hz)		208/230, 1, 60
Intensité min. du circuit (A)		1,0
Moteur du ventilateur (F.L.A.) (A)		0,68

Tuyau	Diamètre extérieur	Épaisseur minimum du mur	Épaisseur de l'isolation	Matériau d'isolation
Pour les liquides	1/4 (6,35)	0,0315 (0,8)	5/16 (8)	Plastique expansé résistant à la chaleur d'une densité spécifique de 0,045
Pour le gaz				

# 1-4. SCHEMA D'INSTALLATION



Ces unités doivent être installés par des entrepreneurs agréés conformément aux réglementations locales en vigueur.

Veillez à utiliser le manchon d'ouverture murale (K) pour éviter tout contact entre le câble de connexion de l'unité interne/externe (D) et les pièces métalliques du mur ou toute détérioration causée par les rongeurs si le mur est creux.

Unité interne  
Manchon d'ouverture murale (K)  
Cache d'ouverture murale (L)  
Bouchez l'ouverture murale avec du mastic (O).  
Fixez le tuyau au mur avec la bande de fixation de tuyau (M).  
Coupez l'excédent.  
Bande de fixation de tuyau (M)  
Vis de fixation (N)

Après le test de contrôle des fuites, appliquez soigneusement du matériau isolant pour obstruer les trous.

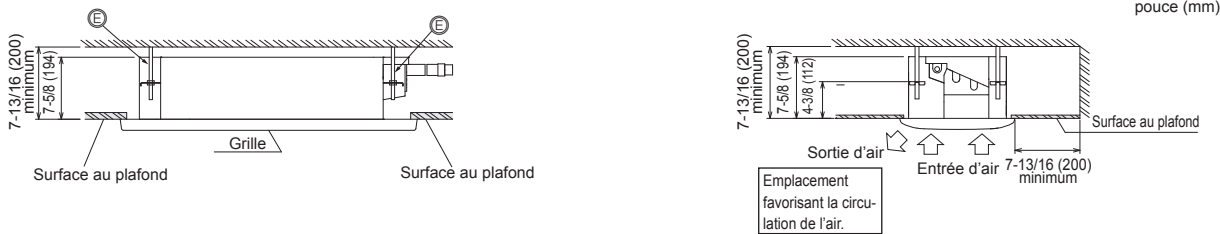
Si la tuyauterie doit être fixée sur un mur contenant des métaux (de l'étain par ex.) ou un treillis métallique, utilisez un morceau de bois traité d'une épaisseur de 3/4 in. (20 mm) minimum entre le mur et la tuyauterie ou isolez la tuyauterie en lui appliquant 7 à 8 couches de ruban adhésif en vinyle.  
Si vous désirez utiliser la tuyauterie existante, effectuez un cycle de REFROIDISSEMENT de 30 minutes et lancez l'aspiration avant de procéder à la dépose de l'ancien climatiseur. Reformez l'écrou évasé en respectant les dimensions des nouveaux tuyaux de réfrigérant.

### REMARQUES IMPORTANTES

Vérifiez que les câbles ne seront pas soumis à aucun des éléments suivants : usure, corrosion, pression excessive, vibrations, arêtes aiguës ou autres effets environnementaux négatifs. Le contrôle tiendra également compte des effets du vieillissement ou des vibrations continues provenant de sources telles que les compresseurs ou les ventilateurs.

### Espace d'entretien

- Les dimensions de l'ouverture au plafond peuvent être comprises dans la plage figurant sur le schéma suivant. Par conséquent, centrer l'unité principale dans l'ouverture en veillant à ce que le dégagement des côtés opposés respectifs soit identique.



### ACCESSOIRES

Contrôler les pièces suivantes avant l'installation.

①	Pile alcaline (AAA) pour ⑧	2
②	Tuyau de vidange (avec isolation)	1
③	Rondelle spéciale (avec joint, 4 pièces)	8
④	Modèle d'installation	1
⑤	Vis de fixation pour ④ M5 × 30 mm	4
⑥	Bande	1
⑦	Vis de fixation pour ⑥ 4 × 16 mm	2
⑧	Télécommande	1
⑨	Support de la télécommande	1
⑩	Vis de fixation pour ⑨ 3,5 × 16 mm (noire)	2

### PIECES A SE PROCURER SUR LE SITE D'INSTALLATION

Ⓐ	Tuyau de réfrigérant	1
Ⓑ	Tuyau de vidange (diamètre extérieur de 1 in. (26 mm))	1
Ⓒ	Outils d'installation (voir 1-3.)	1
Ⓓ	Câble de connexion de l'unité interne/externe*	1
Ⓔ	Boulon de suspension (W3/8)	4
Ⓕ	Ecrou avec collerette (W3/8)	8
Ⓖ	Ecrou (W3/8)	4
Ⓗ	Matériau isolant pour Ⓐ (mousse de polyéthylène thermique, gravité spécifique de 0,045, épaisseur supérieure à 1/2 in. (14 mm))	1
Ⓙ	Matériau isolant pour Ⓑ (mousse de polyéthylène, gravité spécifique de 0,03, épaisseur supérieure à 3/8 in. (10 mm))	1

Ⓚ	Manchon d'ouverture murale	1
Ⓛ	Pièces pour le rebouchage de l'ouverture murale (mastic, cache)	1
Ⓜ	Bande de fixation de tuyau	2 à 7
Ⓝ	Vis de fixation pour Ⓜ	2 à 7
Ⓟ	Ruban adhésif de tuyauterie	1 à 5

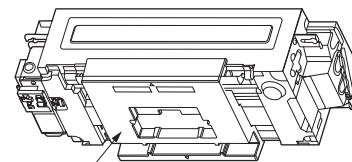
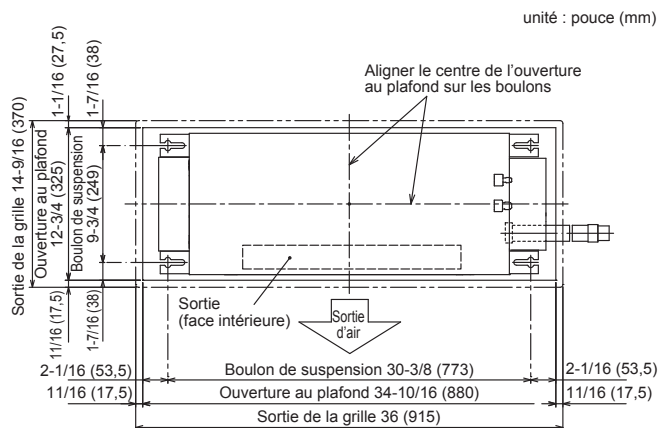
\* Remarque : Placer le câble de connexion de l'unité interne/externe ⑨ à 3 ft. (1 m) minimum du câble de l'antenne TV.



## 2. INSTALLATION DE L'UNITÉ INTERNE

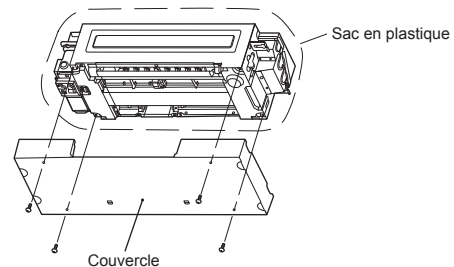
### 2-1. EMPLACEMENT D'INSTALLATION DES OUVERTURES AU PLAFOND ET BOULON DE SUSPENSION

- Installer l'appareil intérieur à 7 ft. (2,2 m) au moins au-dessus du sol ou sur un plan surélevé.
- Pour les appareils qui ne sont pas accessibles au public.
- La connexion des tuyaux de réfrigérant sera accessible aux fins de maintenance.
- Réaliser une ouverture dans le plafond de 12-3/4 × 34-10/16 in. (325 mm × 880 mm). Celle-ci fait office de fenêtre de visite et sera nécessaire pour les entretiens à venir.
- Si les dimensions ne sont pas précisément respectées, il risque d'y avoir un jeu entre l'unité interne et la grille lors de l'installation de celle-ci. Ce qui pourrait entraîner une fuite d'eau ou d'autres problèmes.
- Lors du choix de l'emplacement, tenir compte de l'espace disponible en comptant large.
- Les types de plafonds et de constructions diffèrent. Consulter par conséquent l'entrepreneur ou le décorateur.
- A l'aide du modèle d'installation ④ (au-dessus de l'emballage) et de la jauge (fournie comme accessoire avec la grille), réaliser une ouverture dans le plafond afin de pouvoir installer l'unité principale comme indiqué sur le schéma. (La méthode d'utilisation du modèle et de la jauge y figure.)
- Utiliser des boulons de suspension W3/8 ⑤.
- Une fois l'unité interne suspendue, connecter les tuyaux et câbles au-dessus du plafond. Une fois que l'emplacement et le sens des tuyaux ont été déterminés, placer les tuyaux de réfrigérant et de vidange, ainsi que le câble qui connecte les unités interne et externe à l'emplacement voulu avant de suspendre l'unité interne. Ceci est particulièrement important lorsque le plafond existe déjà.



Matériau d'emballage (surface d'appui)

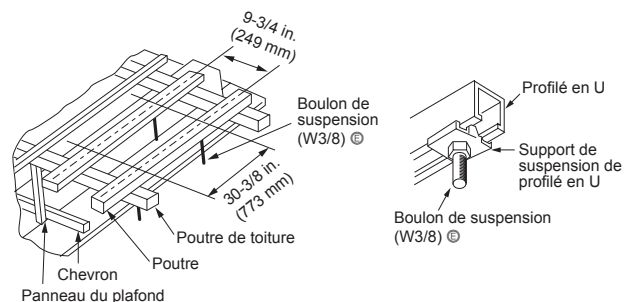
- Retirez le matériau d'emballage (surface d'appui) avant d'installer le sac en plastique et le couvercle.
- Pour empêcher la pénétration de poussière, protégez l'appareil interne en le couvrant à l'aide du sac en plastique et du couvercle.
- Retirez le sac en plastique et le couvercle avant d'installer la grille (en option).



Couvercle

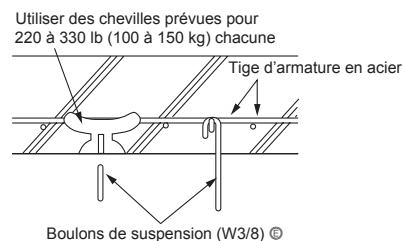
#### 1) Structures en bois

- Utiliser des tirants (maisons de plain-pied) ou des poutres pour l'étage (maisons à étage) comme éléments de renfort.
- Les poutres en bois utilisées pour suspendre le climatiseur doivent être robustes et mesurer au moins 2-5/16 in. (60 mm) de côté si elles sont installées à moins de 35-3/8 in. (900 mm) l'une de l'autre. Si les poutres se trouvent à une distance de 6 ft. (1800 mm) l'une de l'autre, elles doivent mesurer au moins 3-1/2 in. (90 mm) de côté.
- Utiliser un profilé en U, un conduit ainsi que d'autres pièces achetées auprès d'un revendeur local pour suspendre l'unité interne.



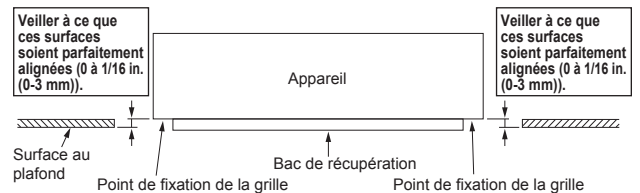
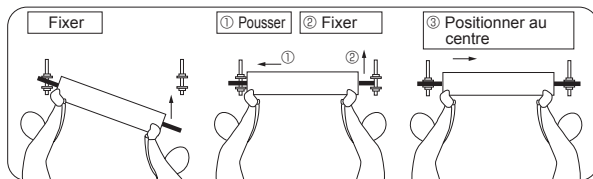
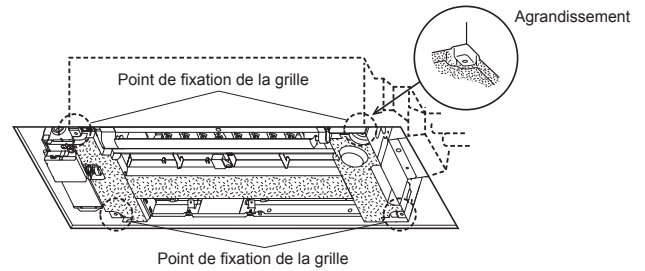
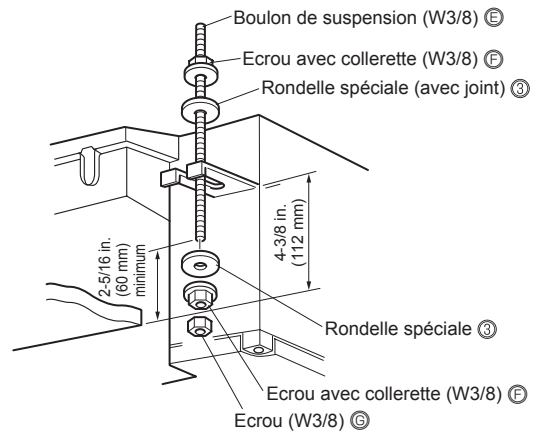
#### 2) Structures en béton armé

- Fixer les boulons de suspension comme illustré ou utiliser des supports en acier ou en bois, etc. pour le faire ⑥.
- Si l'unité est posée, surface inférieure vers le bas, placer en dessous un morceau de matériau d'emballage (surface d'appui) pour éviter d'endommager l'ailette horizontale.



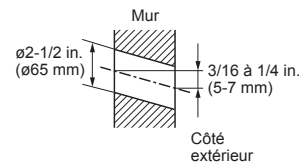
### Procédure de suspension de l'unité

- Régler au préalable la longueur du dépassement du boulon de la surface au plafond.
  - Vérifier l'écartement entre les boulons de suspension ⑤. (9-3/4 × 30-3/8 in. (249 mm × 773 mm))
- 1) Installer la rondelle spéciale ③ et les écrous ⑥ sur le boulon de suspension ⑤.
    - \* Respecter l'ordre suivant (en partant du haut) : écrou ⑥, rondelle spéciale avec joint ③, rondelle spéciale ③, écrou ⑥, écrou ⑥.
    - \* Placer la rondelle spéciale avec le joint ③, la surface isolée vers le bas, comme sur l'illustration.
  - 2) Soulever l'unité pour la mettre en place et l'aligner correctement sur le boulon de suspension ⑤. Passer le support entre la rondelle spéciale avec le joint ③ et la rondelle spéciale ③, déjà en place, et le fixer. Faire de même aux quatre extrémités.
    - \* Veiller à ce que le boulon de suspension ⑤ dépasse de 2-3/4 in. (70 mm) au moins de la surface du plafond. Sinon, il ne sera pas possible d'installer la grille (en option).
    - \* **Si les points de fixation de la grille dépassent de la surface du plafond, de la condensation peut se former ou le panneau risque de ne pas s'ouvrir/se refermer.**
  - 3) Si l'ouverture dans la longueur du support et l'ouverture du plafond ne sont pas alignées, les faire correspondre.
  - 4) A l'aide d'un niveau à bulle, vérifiez que les quatre points de fixation de la grille sont tous de niveau.
  - 5) Serrer tous les écrous.



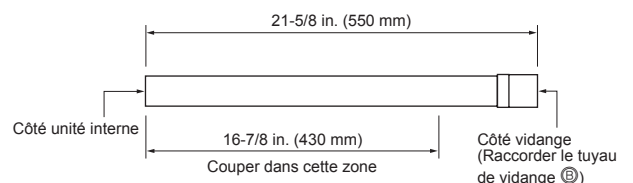
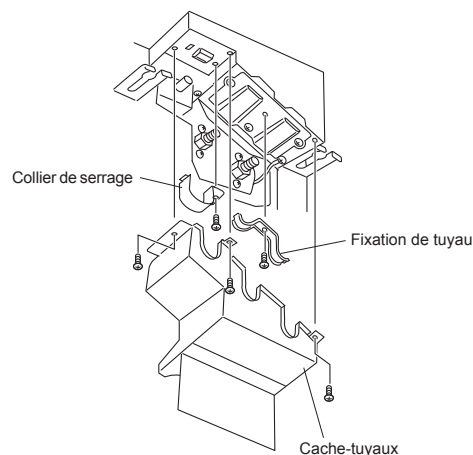
## 2-2. PERCEMENT D'UNE OUVERTURE

- 1) Déterminer la position de l'ouverture murale.
- 2) Percer un trou de 2-1/2 in. (65 mm) de diamètre. Le côté extérieur doit être 3/16 à 1/4 in. (5 à 7 mm) plus bas que le côté intérieur.
- 3) Insérer le manchon d'ouverture murale ④.

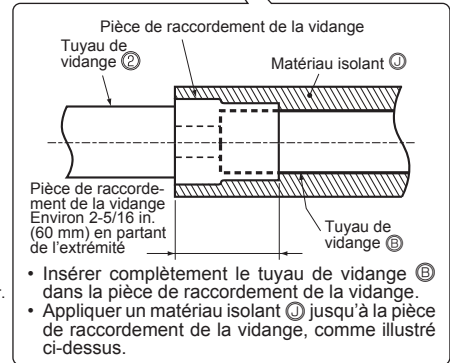
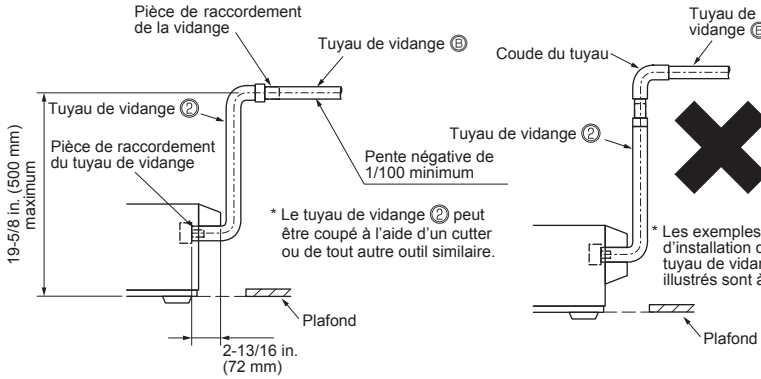
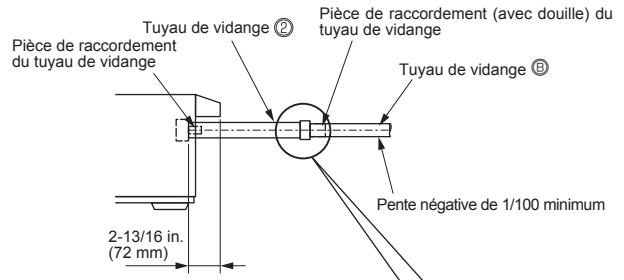


## 2-3. VIDANGE

- Utiliser un tuyau de vidange ②. Veiller à connecter les raccords de tuyauterie à l'aide d'adhésif de la famille des PVC pour éviter les fuites.
- Avant de procéder à la vidange, retirer le cache-tuyaux, le collier de serrage, la fixation de tuyau et l'entretoise (surface d'appui). Eliminer l'entretoise (surface d'appui) car elle n'est pas nécessaire.
- Le tuyau de vidange ② a une longueur de 21-5/8 in. (550 mm), la vidange est ainsi accélérée. Couper le tuyau de vidange ② à la longueur appropriée avant de le raccorder.

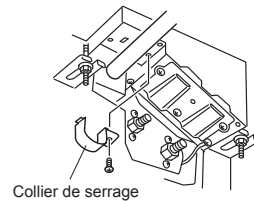


- Raccorder directement le tuyau de vidange ② à la pièce de raccordement (côté douille) du tuyau de vidange ③.
- Veiller à raccorder le tuyau de vidange ② à l'unité interne comme indiqué sur l'illustration à droite. Veiller à connecter la pièce de raccordement du tuyau de vidange à l'aide d'adhésif de la famille des PVC pour éviter les fuites.
- Pour monter la sortie de la vidange, fixer d'abord le tuyau de vidange ② pour qu'il remonte verticalement, puis prévoir une pente négative de 1/100 minimum, comme indiqué sur l'illustration ci-dessous.

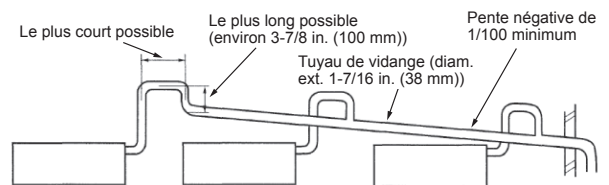
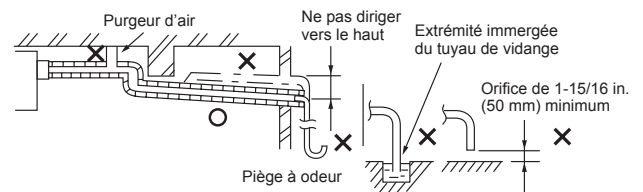
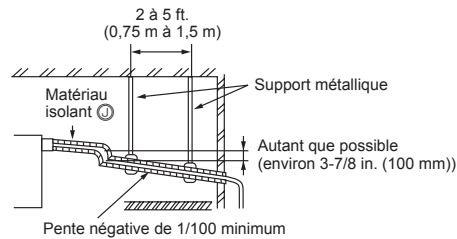


- Si le tuyau de vidange passe à l'intérieur, veiller à appliquer un matériau isolant ① (mousse de polyéthylène, gravité spécifique de 0,03, épaisseur supérieure à 3/8 in. (10 mm)).

Connecter la pièce de raccordement du tuyau de vidange à l'aide d'adhésif de la famille des PVC avant d'installer le collier de serrage.



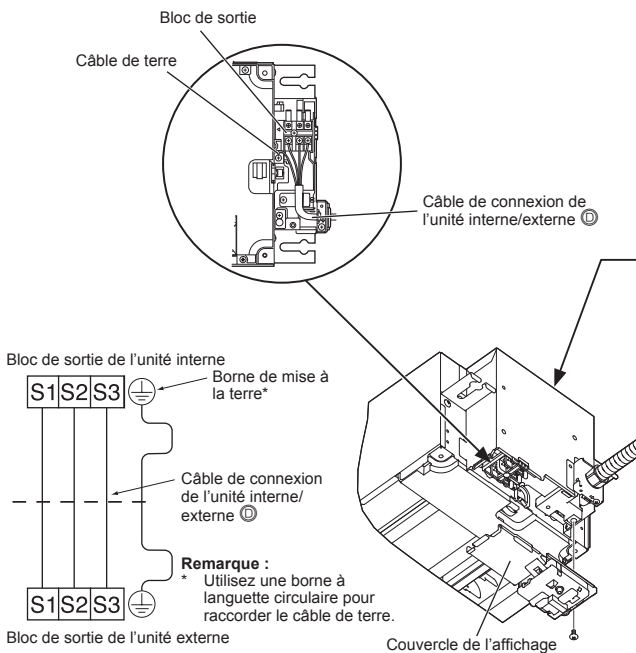
- Appliquer un matériau isolant ① jusqu'à la pièce de raccordement de la vidange, comme illustré en haut à droite.
- Le tuyau de vidange doit suivre une pente négative (1/100 minimum) vers la sortie de la vidange externe. Ne pas former de siphon ni soulever le tuyau.
- Le tuyau ne doit pas être horizontal sur plus de 65 ft. (20 m). Lorsque le tuyau de vidange est trop long, utiliser un support métallique pour éviter qu'il ne forme une courbe vers le haut ou le bas. Veiller à ne pas installer de purgeur d'air. (Étant donné que le mécanisme de levage est intégré, du liquide de vidange peut être projeté.)
- Un piège à odeur pour la sortie de vidange n'est pas nécessaire.
- Les tuyaux groupés doivent se trouver 3-7/8 in. (100 mm) en dessous de la sortie de la vidange de l'unité, comme sur l'illustration. Utiliser un tuyau de vidange (diam. ext. 1-7/16 in. (38 mm)) pour le regroupement et former une pente négative d'environ 1/100.
- Ne pas placer le tuyau de vidange directement dans un endroit où de l'ammoniac ou du gaz sulfurique se forme, comme dans un réservoir d'eaux usées ou une fosse septique.



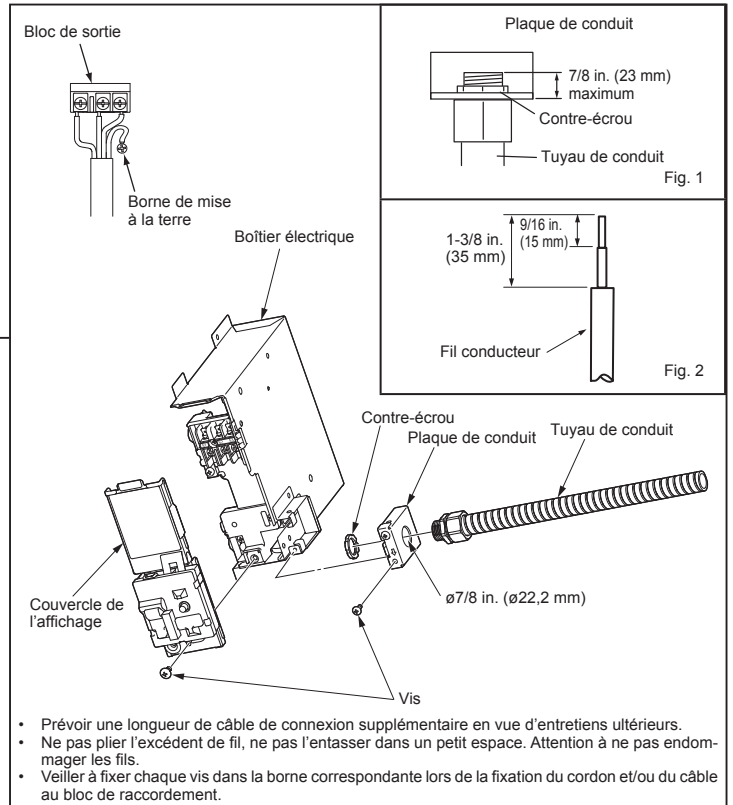
## 2-4. RACCORDEMENT DES CABLES DE L'UNITÉ INTERNE

**Remarque :** L'unité doit être installée par un professionnel/électricien autorisé. Si les réglementations nationales, de l'état et locales applicables l'exigent, il faudra installer un sectionneur quand l'unité interne est alimentée par l'unité externe.

- 1) Retirer le couvercle de l'affichage.
- 2) Retirez la plaque de conduit.
- 3) Fixez le tube de canalisation sur la plaque de conduit à l'aide du contre-écrou. Le câble de connexion ① de l'unité interne/externe qui apparaît à l'intérieur du tube de canalisation doit être inférieur à 7/8 in. (23 mm). (Fig. 1)
- 4) Préparez l'extrémité du câble de terre (Fig. 2). Branchez-la à la borne de mise à la terre du boîtier électrique.
- 5) Préparez l'extrémité du câble de connexion de l'unité interne/externe ① (Fig. 2). Branchez-la au bloc de raccordement. Veillez à ne pas effectuer d'erreur de branchement. Fixez fermement le câble au bloc de raccordement pour ne pas faire apparaître son noyau et n'appliquez aucune force extérieure à la section de branchement du bloc de raccordement.
- 6) Serrez fermement les vis de fixation. Après l'opération de serrage, vérifiez que les câbles sont bien fixés.
- 7) Reposez la plaque de conduit.
- 8) Passer le câble de connexion de l'unité interne/externe ① et préparer l'extrémité du câble.
- 9) Desserrer la vis de fixation des bornes, raccorder d'abord le câble de terre, puis le câble de connexion de l'unité interne/externe ① au bloc de sortie. Veiller à ne pas effectuer d'erreur de branchement. Fixer fermement le câble au bloc de sortie pour ne faire apparaître aucune partie de son noyau et n'appliquer aucune force extérieure à la section de raccordement du bloc de sortie.
- 10) Serrer fermement les vis de fixation des bornes afin d'éviter tout faux contact. Après l'opération de serrage, tirer légèrement sur les câbles pour s'assurer qu'ils sont bien fixés.
- 11) Reposez le couvercle de l'affichage.



- Prévoir une longueur de câble de connexion supplémentaire en vue d'entretiens ultérieurs.



- Prévoir une longueur de câble de connexion supplémentaire en vue d'entretiens ultérieurs.
- Ne pas plier l'excédent de fil, ne pas l'entasser dans un petit espace. Attention à ne pas endommager les fils.
- Veiller à fixer chaque vis dans la borne correspondante lors de la fixation du cordon et/ou du câble au bloc de raccordement.

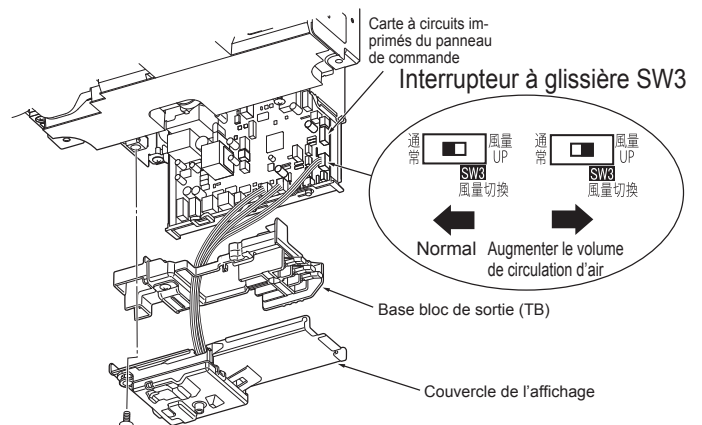
**Lorsque la hauteur du plafond est comprise entre 8 ft. (2,4 m) et 9 ft. (2,7 m)**  
Déplacer l'interrupteur à glissière (SW3) vers la droite pour augmenter le volume de circulation d'air.

\* Lorsque la hauteur du plafond dépasse 9 ft. (2,7 m), le volume de circulation d'air risque d'être insuffisant même si l'interrupteur à glissière (SW3) est réglé sur "increase airflow".

- 1) Veiller à ce que le disjoncteur du climatiseur soit éteint.
- 2) Retirer le couvercle de l'affichage de l'unité interne.
- 3) Faites glisser la carte à circuits imprimés du panneau de commande et relevez l'interrupteur à glissière (SW).
- 4) Remettez la carte à circuits imprimés du panneau de commande dans sa position d'origine et reposez le couvercle de l'affichage.

**Remarque :**

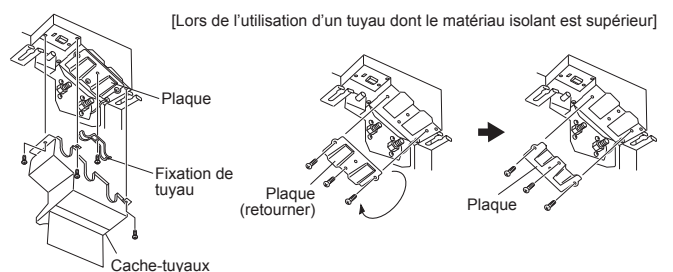
- Procéder à l'élimination de l'électricité statique avant le réglage.
- Le réglage par défaut est Normal.



## 3. TRAVAUX D'EVASEMENT ET RACCORDEMENT DES TUYAUX

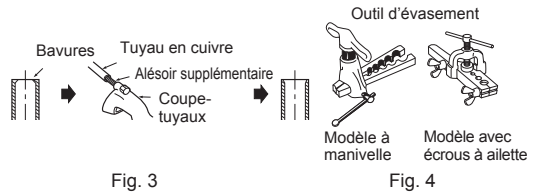
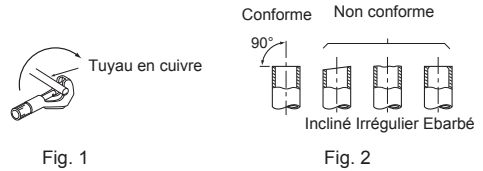
### 3-1. TRAVAUX D'EVASEMENT

- 1) Retirer le cache-tuyau, le collier de serrage, la fixation de tuyau et l'entretoise (surface d'appui) de l'appareil intérieur. Éliminer l'entretoise (surface d'appui) car elle n'est pas nécessaire.
- 2) Lors de l'utilisation d'un tuyau dont le matériau isolant est supérieur (environ ø1-7/8 in. (ø48 mm) pour les tuyaux de liquide et ø2 in. (ø51 mm) pour les tuyaux de gaz) pour le raccordement à l'unité interne, retirer la plaque et la retourner pour que sa partie concave soit orientée vers le haut.

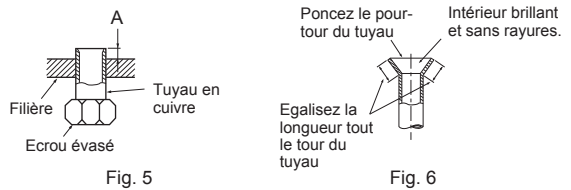


### 3-2. TRAVAUX D'ÉVASEMENT

- 1) Coupez correctement le tuyau en cuivre avec un coupe-tuyaux. (Fig. 1, 2)
- 2) Ebarbez parfaitement la partie tronçonnée du tuyau. (Fig. 3)
  - Dirigez l'extrémité du tuyau en cuivre vers le bas lors de l'ébarbage de façon à éliminer les bavures de l'intérieur du tuyau.
- 3) Retirez les écrous à évasement fixés sur les unités interne et externe, puis posez-les sur le tuyau après avoir éliminé toutes les bavures. (il est impossible de les poser après les travaux d'évasement).
- 4) Travaux d'évasement (Fig. 4, 5). Tenez fermement le tuyau de cuivre dans la dimension indiquée dans le tableau. Sélectionnez A en pouce (mm) dans le tableau suivant l'outil que vous utilisez.
- 5) Contrôle
  - Comparez les travaux d'évasement avec la Fig. 6.
  - Si l'évasement n'est pas conforme à l'illustration, coupez la partie évasée et refaites l'évasement.



Diamètre du tuyau en pouce (mm)	B en pouce (mm)	A en pouce (mm)			Couple de serrage	
		Outil à manivelle pour le modèle R410A	Outil à manivelle pour le modèle R22	Ecrou à oreilles pour le modèle R22	pi-lb (kgf·cm)	N·m
ø1/4 (6,35)	21/32 (17)	0 - 0,02 (0 - 0,5)	0,04 - 0,06 (1,0 - 1,5)	0,06 - 0,08 (1,5 - 2,0)	10 - 13 (140 - 180)	13,7 - 17,7
ø3/8 (9,52)	7/8 (22)			25 - 30 (350 - 420)	34,4 - 41,2	
ø1/2 (12,7)	1-1/32 (26)			36 - 42 (500 - 580)	49,1 - 56,9	
ø5/8 (15,88)	1-5/32 (29)			0,08 - 0,10 (2,0 - 2,5)	54 - 58 (750 - 800)	73,5 - 78,5



### 3-3. RACCORDEMENT DES TUYAUX

- En cas de repose des tuyaux de réfrigérant après démontage, refaites la partie évasée du tuyau.
- Serrez l'écrou évasé avec une clé dynamométrique comme indiqué dans le tableau.
- Si l'écrou évasé est trop serré, il pourrait se rompre au bout de plusieurs années et provoquer une fuite de réfrigérant.
- Assurez-vous que la tuyauterie est enveloppée d'isolant. Un contact direct avec la tuyauterie nue peut entraîner des brûlures ou des engelures.

#### Raccordement de l'unité interne

Raccordez les conduits de liquide et de gaz à l'unité interne.

- Appliquez une fine couche d'huile réfrigérante sur la surface d'appui du conduit.
- Pour effectuer le raccordement, alignez d'abord le centre, puis serrez l'écrou à évasement de 3 à 4 tours.
- Respecter les couples de serrage indiqués dans le tableau ci-dessus pour raccorder la tuyauterie de l'unité interne et serrer avec deux clés. Un serrage excessif risque d'endommager la partie évasée.

#### Raccordement de l'unité externe

Raccordez les tuyaux aux raccords de tuyau du robinet d'arrêt de l'unité externe de la même façon que pour l'unité interne.

- Le serrage doit être effectué avec une clé dynamométrique ou une clé plate en respectant les couples de serrage spécifiés pour l'unité interne.

### 3-4. INSTALLATION DU CACHE-TUYAUX

Veiller à installer le cache-tuyaux. Une installation incorrecte pourrait entraîner des fuites d'eau.

- Aucune isolation n'est requise pour le raccordement de la face interne de l'unité. Le cache-tuyaux amasse l'eau condensée autour du raccordement.

- 1) Installer la fixation de tuyau ôtée à la section 3-1. pour le raccordement.
  - \* La fixation de tuyau ne doit pas maintenir le matériau isolant du raccordement. Le matériau isolant doit dépasser de 3/8 in. (10 mm) minimum la fixation de tuyau, comme illustré à droite.
- 2) Installer le cache-tuyaux.

#### Lors de l'utilisation d'un tuyau dont le matériau isolant est supérieur

(environ ø1-7/8 in. (ø48 mm) pour les tuyaux de liquide et ø2 in. (ø51 mm) pour les tuyaux de gaz)

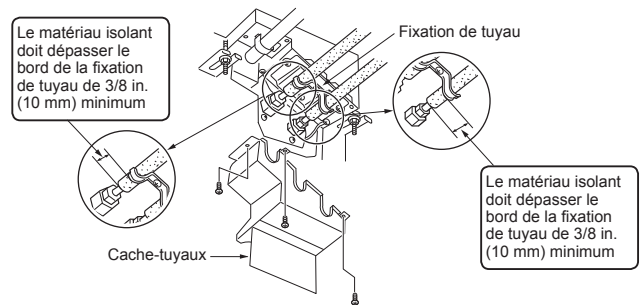
- 1) Veiller à ce que la plaque soit retournée et que sa partie concave soit orientée vers le haut. (Se reporter à la section 3-1.)
- 2) Utiliser la fixation de tuyau ⑥ fournie avec l'unité. (Ne pas utiliser la fixation de tuyau attachée à l'unité)
- 3) La sortie de raccordement de tuyau du cache-tuyaux est prédécoupée. La couper le long de la ligne.
- 4) Installer le cache-tuyaux.

#### Remarque :

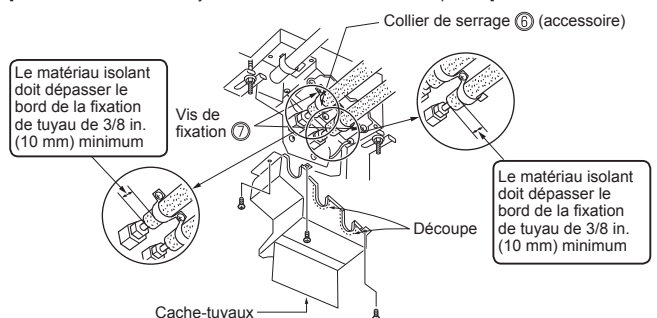
Installer correctement le cache-tuyaux et la fixation de tuyau. Une installation partielle pourrait entraîner un écoulement d'eau et endommager votre mobilier et autres biens.

**⚠ AVERTISSEMENT**

**Pendant l'installation de l'appareil, branchez correctement les tuyaux de réfrigérant avant de lancer le compresseur.**



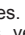
[Lors de l'utilisation d'un tuyau dont le matériau isolant est supérieur]




## 4. ESSAI DE FONCTIONNEMENT

### 4-1. ESSAI DE FONCTIONNEMENT

- Ne pas faire fonctionner l'unité pendant une période prolongée dans des endroits comme un bâtiment en construction. De la poussière ou des odeurs risquent d'adhérer à l'unité.
- Si possible, effectuer l'essai en présence de l'utilisateur.

- 1) Appuyer une fois sur l'interrupteur de secours (E.O. SW) pour le refroidissement (COOL) et deux fois pour le chauffage (HEAT). L'essai de fonctionnement va s'effectuer pendant 30 minutes. Si le témoin de fonctionnement gauche clignote toutes les 0,5 secondes, vérifier le câble de connexion de l'unité interne/externe  pour détecter tout mauvais branchement. Le mode d'urgence (température réglée sur 75°F (24°C)) prendra le relais à la fin de l'essai de fonctionnement.
- 2) Pour arrêter le fonctionnement, appuyez plusieurs fois sur le bouton E.O. SW, jusqu'à ce que les témoins LED s'éteignent. Consultez la notice d'utilisation pour plus d'informations.

#### Contrôle de la réception des signaux (infrarouges) de la télécommande

Appuyez sur la touche ARRÊT/MARCHE de la télécommande  et vérifiez l'audibilité du signal sonore électronique provenant de l'unité interne. Appuyez de nouveau sur la touche ARRÊT/MARCHE de la télécommande pour éteindre le climatiseur.

- A l'arrêt du compresseur, le dispositif de prévention du redémarrage se met en marche pour éviter le redémarrage du compresseur pendant 3 minutes pour protéger le climatiseur.

#### Vérification de l'évacuation d'eau

- 1) Remplissez le bac de récupération avec environ 0,9 à 1,0 litre d'eau. (Ne pas verser d'eau directement dans la pompe de vidange.)
- 2) Effectuer un essai de fonctionnement de l'unité (en mode Refroidissement).
- 3) Contrôler l'évacuation de l'eau à la sortie du tuyau de vidange.
- 4) Arrêter l'essai de fonctionnement (ne pas oublier de mettre l'unité hors tension).

### 4-2. VERIFICATION DE LA VIDANGE D'EAU POUR L'UNITE INTERNE SEULEMENT

Si le câblage n'est pas terminé, raccordez les bornes S1 et S2 du bloc de sortie de l'unité interne à une alimentation monophasée 230 V.

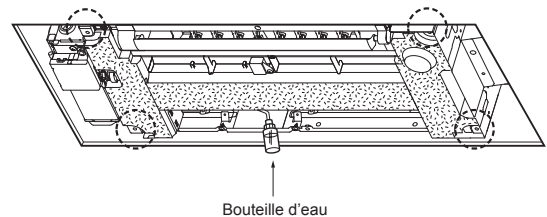
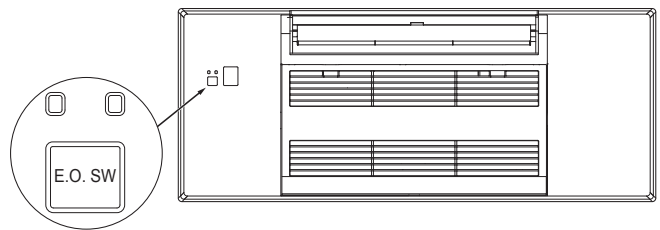
- 1) Démarrez l'essai de fonctionnement de la pompe de vidange.
  - Appuyez sur l'interrupteur de secours pendant 5 secondes (jusqu'à ce que vous entendiez un signal sonore) pour démarrer uniquement la pompe de vidange.
  - Les deux témoins de fonctionnement se mettent à clignoter.
- 2) Arrêtez l'essai de fonctionnement de la pompe de vidange.
  - Appuyez une nouvelle fois sur l'interrupteur de secours pour arrêter la pompe de vidange. Même si vous n'arrêtez pas la pompe de vidange, elle s'arrêtera automatiquement après 15 minutes.
  - Les témoins de fonctionnement s'éteignent.

### 4-3. FONCTION DE REDEMARRAGE AUTOMATIQUE

Ce produit est équipé d'une fonction de redémarrage automatique. Lorsque l'alimentation se coupe pendant le fonctionnement (comme lors des pannes d'électricité), la fonction remet automatiquement l'unité en marche sur le réglage précédent dès que l'alimentation est rétablie. (Consultez la notice d'utilisation pour plus d'informations.)

### 4-4. EXPLICATIONS DESTINEES A L'UTILISATEUR

- A l'aide de la NOTICE D'UTILISATION, expliquez à l'utilisateur l'emploi du climatiseur (utilisation de la télécommande, remplacement des filtres à air, enlèvement ou placement de la télécommande sur son support, nettoyage, précautions à prendre pour le fonctionnement, etc.)
- Recommandez à l'utilisateur de lire attentivement la NOTICE D'UTILISATION.



#### Attention:

- Après l'essai de fonctionnement ou le contrôle de la réception des signaux de la télécommande, éteignez l'unité à l'aide du bouton E.O. SW ou de la télécommande avant de couper l'alimentation. Sinon, l'unité se remettra automatiquement en marche lorsque l'alimentation est rétablie.

#### A l'attention de l'utilisateur

- Après installation de l'unité, veillez à expliquer à l'utilisateur la fonction de redémarrage automatique.
- Si la fonction de redémarrage automatique n'est pas indispensable, elle peut être désactivée. Adressez-vous au responsable de l'entretien pour désactiver la fonction. Consultez le manuel d'entretien pour plus d'informations.

## 5. INSTALLATION DE LA GRILLE (EN OPTION)

Se reporter aux procédures indiquées dans la notice d'installation de la grille (en option).

## 6. PURGE

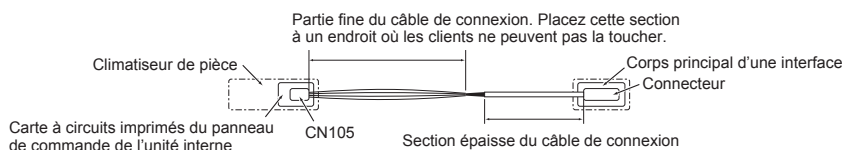
Se reporter aux procédures indiquées dans la notice d'installation de l'unité externe.

### ▲ AVERTISSEMENT

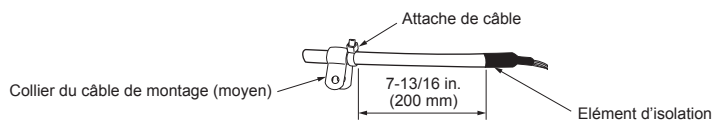
Lorsque le circuit de réfrigération présente une fuite, ne pas purger à l'aide du compresseur.  
Pendant l'opération d'aspiration du réfrigérant, arrêtez le compresseur avant de débrancher les tuyaux de réfrigérant. Le compresseur peut éclater si de l'air, etc. pénètre à l'intérieur.

## 7. CONNEXION D'UNE INTERFACE (OPTION) AU CLIMATISEUR

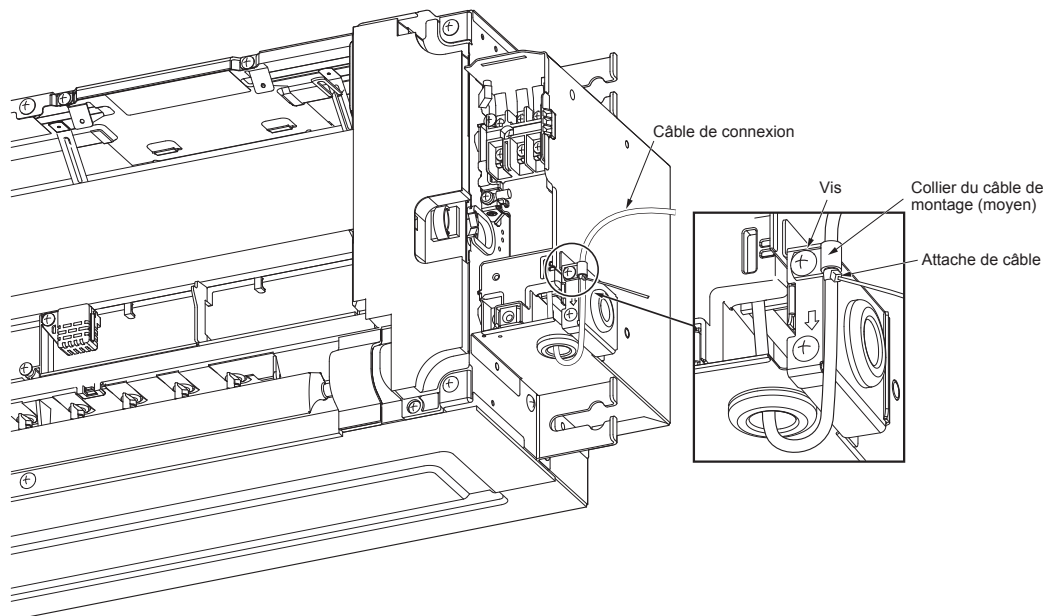
- A l'aide d'un câble de connexion, connectez une interface à la carte à circuits imprimés du panneau de commande de l'unité interne d'un climatiseur.
- Une coupure ou une extension du câble de connexion de l'interface provoquera des défauts de connexion. Ne groupez pas le câble de connexion avec le cordon d'alimentation électrique, le câble de connexion de l'unité interne/externe, et/ou le câble de mise à la terre. Eloignez autant que possible le câble de connexion de ces câbles.
- La section fine du câble de connexion doit être stockée et placée à un endroit où les clients ne peuvent pas la toucher.



- 1) Fixez l'attache de câble au câble de connexion à 7-13/16 in. (200 mm) du bord de l'élément d'isolation. Attachez le collier du câble de montage (moyen) du côté de l'interface de l'attache de câble.



- 2) Retirez la grille. (si la grille a déjà été installée)
- 3) Retirer le couvercle de l'affichage.  
Se reporter à la section 2-4. RACCORDEMENT DES CABLES DE L'UNITE INTERNE.
- 4) Faites glisser le panneau de commande de l'unité interne et raccordez le câble de connexion au connecteur CN105 et/ou CN24 du panneau de commande de l'unité interne.
- 5) Retirez la vis illustrée sur l'image ci-dessous. Installez le câble de connexion comme illustré sur l'image ci-dessous. Fixez le collier du câble de montage (moyen), qui a été attaché au câble de connexion, avec la vis.



- 6) Réinstaller le panneau de commande de l'unité interne et le couvercle de l'affichage.
- 7) Réinstallez la grille.

### ▲ AVERTISSEMENT

Fixez correctement le câble de connexion à l'emplacement indiqué.  
Une installation incorrecte risque d'être à l'origine d'un choc électrique, d'un incendie et/ou d'un dysfonctionnement.

This product is designed and intended for use in the residential, commercial and light-industrial environment.

**MITSUBISHI ELECTRIC CORPORATION**

---

HEAD OFFICE: TOKYO BUILDING, 2-7-3, MARUNOUCHI, CHIYODA-KU, TOKYO 100-8310, JAPAN

DG79V317H01