

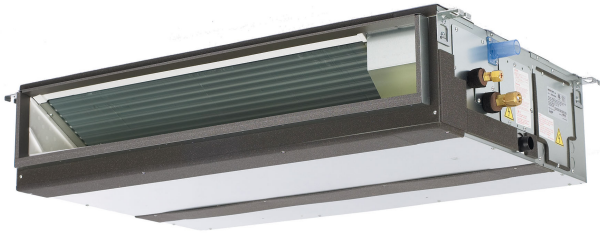
Job Name:

System Reference:

Date:

Indoor Unit:
PEAD-A24AA7

Outdoor Unit:
SUZ-KA24NA2



INDOOR UNIT FEATURES

- Unobtrusive ceiling-concealed design for short-run ductwork.
- Wide ranging external static pressure (0.14-0.60 in. WG)
- Built-in condensate lift mechanism (up to 27-9/16")
- Auto fan speed mode
- Optional FB Series filter boxes for easy access and service
- Ideal for residential homes, retail shopping centers, larger classrooms, office complexes, conference ballrooms, fitness centers, and more

OUTDOOR UNIT FEATURES

- Variable speed INVERTER-driven compressor
- Innovative Joint Lap DC Motor leads to high efficiency and reliability
- Pulse Amplitude Modulation technology
- High-performance grooved piping for increased heat exchange efficiency

SPECIFICATIONS: PEAD-A24AA7 & SUZ-KA24NA2

| | | | |
|------------------------------|--|---------|-------------------------|
| Cooling at 95°F ¹ | Maximum Capacity | Btu/h | 24,000 |
| | Rated Capacity | Btu/h | 24,000 |
| | Minimum Capacity | Btu/h | 12,000 |
| | Maximum Power Input | W | 1,920 |
| | Rated Power Input | W | 1,920 |
| | Moisture Removal | Pints/h | 4.9 |
| | Sensible Heat Factor | | 0.77 |
| | Power Factor (208/230V) | % | 97.9 |
| Cooling at 82°F | Maximum Capacity | Btu/h | 26,600 |
| | Rated Capacity | Btu/h | 26,600 |
| | Minimum Capacity | Btu/h | 13,300 |
| | Maximum Power Input | W | 1,670 |
| | Rated Power Input | W | 1,670 |
| Heating at 47°F ² | Maximum Capacity | Btu/h | 28,000 |
| | Rated Capacity | Btu/h | 25,000 |
| | Minimum Capacity | Btu/h | 14,400 |
| | Maximum Power Input | W | 2,540 |
| | Rated Power Input | W | 1,990 |
| | Power Factor | % | 98.8 |
| Heating at 17°F ³ | Maximum Capacity | Btu/h | 15,000 |
| | Rated Capacity | Btu/h | 15,000 |
| | Maximum Power Input | W | 1,650 |
| | Rated Power Input | W | 1,650 |
| Efficiency | SEER | | 18.0 |
| | EER ¹ | | 12.5 |
| | HSPF (IV) | | 11.2 |
| | COP at 47°F ² | | 3.68 |
| | COP at 17°F in Maximum Capacity ³ | | 2.66 |
| | ENERGY STAR® Certified (ENERGY STAR products are third-party certified by an EPA-recognized Certification Body.) | | Yes |
| Electrical | Voltage, Phase, Frequency | | 208/230V, 1 phase, 60Hz |
| | Guaranteed Voltage Range | V AC | 187-253 |
| | Voltage: Indoor - Outdoor, S1-S2 | V AC | 208/230 |
| | Voltage: Indoor - Outdoor, S2-S3 | V DC | 24 |
| | Voltage: Indoor - Remote Controller | V DC | 12 |
| | Recommended Fuse/Breaker Size | A | 20 |
| | Recommended Wire Size (Indoor - Outdoor) | AWG | 14 |
| Indoor Unit | MCA | A | 2.63 |
| | Fan Motor Full Load Amperage | A | 2.1 |
| | Fan Motor Output | W | 121 |
| | Airflow Rate at Cooling, Dry | CFM | 742-636-512 |

SPECIFICATIONS: PEAD-A24AA7 & SUZ-KA24NA2

| | | | |
|---|--|---------------|--|
| | Airflow Rate at Cooling, Wet | CFM | 667-572-461 |
| | Sound Pressure Level (Cooling) | dB(A) | 37-33-30 |
| | Sound Pressure Level (Heating) | dB(A) | 37-33-30 |
| | External Static Pressure | in.WG | 0.14-0.20-0.28-0.40-0.60 |
| | Drain Pipe Size | In. (mm) | 1-1/4 (32) |
| | Condensate Lift Mechanism, Maximum Distance | In. (mm) | 27-9/16 (700) |
| | Heat Exchanger Type | | Plate fin coil |
| | External Finish Color | | Galvanized |
| | Unit Dimensions | W: In. (mm) | 43-5/16 (1,100) |
| | | D: In. (mm) | 28-7/8 (732) |
| | | H: In. (mm) | 9-7/8 (250) |
| | Package Dimensions | W: In. (mm) | 53-3/16 (1,350) |
| | | D: In. (mm) | 34-11/16 (880) |
| | | H: In. (mm) | 13-7/16 (380) |
| Unit Weight | Lbs. (kg) | 69 (31) | |
| Package Weight | Lbs. (kg) | 82 (37) | |
| Indoor Unit Operating Temperature Range | Cooling Intake Air Temp (Maximum / Minimum)* | °F | 90F D.B / 71F W.B // 67F D.B / 57F W.B |
| | Heating Intake Air Temp (Maximum / Minimum) | °F | 80F D.B // 70F D.B |
| Outdoor Unit | MCA | A | 17 |
| | MOCP | A | 31 |
| | Fan Motor Full Load Amperage | A | 1 |
| | Fan Motor Output | W | 60 |
| | Airflow Rate | CFM | 2,020 / 1,930 |
| | Refrigerant Control | | LEV |
| | Defrost Method | | Reverse cycle |
| | Heat Exchanger Type | | Plate fin coil |
| | Sound Pressure Level, Cooling ¹ | dB(A) | 55 |
| | Sound Pressure Level, Heating ² | dB(A) | 55 |
| | Compressor Type | | DC INVERTER-driven |
| | Compressor Model | | SNB220FQGM1T |
| | Compressor Rated Load Amps | A | 13.0 |
| | Compressor Locked Rotor Amps | A | 16.0 |
| | Compressor Oil Type // Charge | oz. | FV50S // 15.6 |
| | External Finish Color | | Ivory Munsell 3Y 7.8/1.1 |
| | Base Pan Heater | | Optional |
| | Unit Dimensions | W: In. (mm) | 33-1/16 (840) |
| | | D: In. (mm) | 13 (330) |
| | | H: In. (mm) | 34-5/8 (880) |
| Package Dimensions | W: In. (mm) | 38-9/16 (980) | |
| | D: In. (mm) | 16-9/16 (420) | |
| | H: In. (mm) | 39 (990) | |

SPECIFICATIONS: PEAD-A24AA7 & SUZ-KA24NA2

| | | | |
|--|--|-----------|-------------|
| | Unit Weight | Lbs. (kg) | 129 (59) |
| | Package Weight | Lbs. (kg) | 148 (67) |
| Outdoor Unit Operating Temperature Range | Cooling Air Temp (Maximum / Minimum)* | °F | 115 / 14 |
| | Cooling Thermal Lock-out / Re-start Temperatures** | °F | 1 / 5 |
| | Heating Air Temp (Maximum / Minimum) | °F | 75 / 14 |
| | Heating Thermal Lock-out / Re-start Temperatures** | °F | 10 / 14 |
| Refrigerant | Type | | R410A |
| | Charge | Lbs, oz | 4, 14 |
| Piping | Gas Pipe Size O.D. (Flared) | In.(mm) | 5/8 (12.88) |
| | Liquid Pipe Size O.D. (Flared) | In.(mm) | 3/8 (9.52) |
| | Maximum Piping Length | Ft. (m) | 100 |
| | Maximum Height Difference | Ft. (m) | 100 |
| | Maximum Number of Bends | | 10 |

Notes

| | | | |
|---|--|----|------------------------------|
| AHRI Rated Conditions (Rated data is determined at a fixed compressor speed) | ¹ Cooling (Indoor // Outdoor) | °F | 80 DB, 67 WB // 95 DB, 75 WB |
| | ² Heating at 47°F (Indoor // Outdoor) | °F | 70 DB, 60 WB // 47 DB, 43 WB |
| | ³ Heating at 17°F (Indoor // Outdoor) | °F | 70 DB, 60 WB // 17 DB, 15 WB |

*Applications should be restricted to comfort cooling only; equipment cooling applications are not recommended for low ambient temperature conditions.

**System cuts out in heating mode to avoid thermistor error and automatically restarts at these temperatures.

ACCESSORIES: PEAD-A24AA7

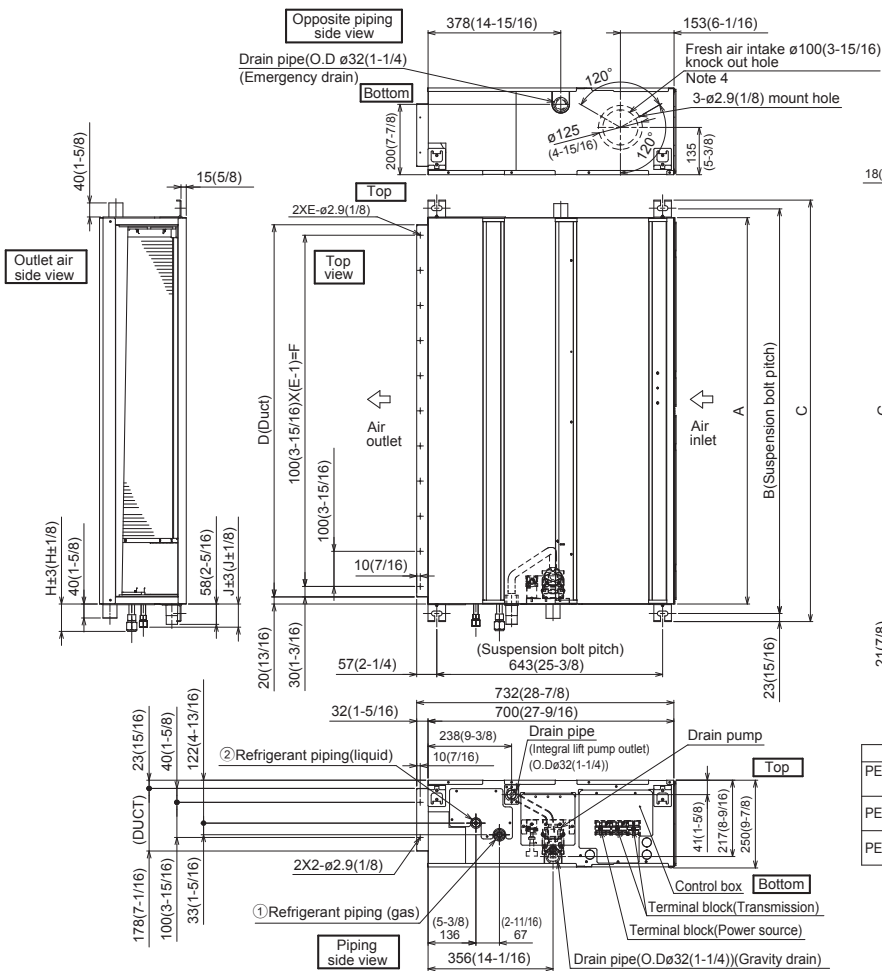
| | |
|---|-------------------------|
| Filter Box with MERV 13 Filters | □ FBM2-3 |
| Wireless Signal Receiver | □ PAR-SA9CA-E |
| Wireless Signal Receiver | □ PAR-FA32MA-W |
| Wireless Signal Receiver | □ PAR-FA32MA-E |
| Wireless Remote Controller | □ PAR-FL32MA-E |
| Backlit, Wall-mounted, Wireless Controller | □ MHK1 |
| Portable Central Controller | □ MCCH1 |
| Wired MA Controller | □ PAR-33MAA |
| Simple MA Controller | □ PAC-YT53CRAU |
| Touch MA Controller | □ PAR-CT01MAU-SB |
| Airzone ZBS Wired Blueface Principal Controller White | □ AZZBSBLUEFACECB |
| Airzone ZBS Wired Think Controller White | □ AZZBSTHINKCB |
| Airzone ZBS Wireless Think Controller White | □ AZZBSTHINKRB |
| Airzone ZBS Wired Lite Controller White | □ AZZBSLITECB |
| Airzone ZBS Wireless Lite Controller White | □ AZZBSLITERB |
| Wired Remote Sensor | □ PAC-SE41TS-E |
| Wireless Temperature and Humidity Sensor | □ PAC-USWHS003-TH-1 |
| Outside Air Sensor for MHK1 | □ MOS1 |
| Flush Mount Remote Temperature Sensor | □ PAC-USSEN001-FM-1 |
| System Control Interface | □ MAC-333IF-E |
| Wireless Interface | □ PAC-USWHS002-WF-1 |
| Thermostat Interface | □ PAC-US444CN-1 |
| kumo station® | □ PAC-WHS01HC-E |
| USNAP Interface | □ PAC-WHS01UP-E |
| IT Extender | □ PAC-WHS01IE-E |
| BACnet® and MODBUS® Interface | □ PAC-UKPRC001-CN-1 |
| External Fan / Heater Control Relay Adapter | □ CN24RELAY-KIT-CM3 |
| Connector cable for remote display | □ PAC-SA88HA-EP |
| Connector for CN32 (remote on/off) | □ PAC-SE55RA-E |
| Lockdown Bracket for Hand-held Remote Controllers | □ RCMKP1CB |
| Remote Operation Adapter ¹ | □ PAC-SF40RM-E |
| Blue Diamond Sensor Extension Cable — 15 Ft. | □ C13-103 |
| MegaBlue Advanced Blue Diamond Condensate Pump w/ Reservoir & Sensor | □ X87-835 - 110 to 250V |
| Advanced Blue Diamond Mini Condensate Pump w/ Reservoir & Sensor (208/230V) [recommended] | □ X87-721 - 208/230V |
| Drain Pan Level Sensor | □ DPLS2 |
| (30A/600V/UL) [fits 2" X 4" utility box] - Black | □ TAZ-MS303 |
| (30A/600V/UL) [fits 2" X 4" utility box] - White | □ TAZ-MS303W |

¹ Unable to use with wireless remote controller

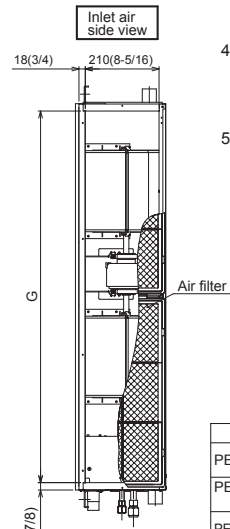
ACCESSORIES: SUZ-KA24NA2

| | |
|---|-------------------|
| Air Outlet Guide | □ MAC-886SG-E |
| Optional Defrost Heater | □ MAC-642BH-U1 |
| Hail Guard | □ HG-A7 |
| Outdoor Unit 3-1/4 inch Mounting Base (Pair) - Plastic | □ DSD-400P |
| Condensing Unit Mounting Pad 16" x 36" x 3" | □ ULTRILITE1 |
| Outdoor Unit Stand — 12" High | □ QSMS1201M |
| Outdoor Unit Stand — 18" High | □ QSMS1801M |
| Outdoor Unit Stand — 24" High | □ QSMS2401M |
| Heavy Duty Wall Mounting Bracket— Coated Steel | □ QSWB2000M-1 |
| Heavy Duty Wall Mounting Bracket — 316 Series Stainless Steel | □ QSWBSS |
| 10' x 3/8" x 10' x 5/8" Lineset (Twin-Tube Insulation) | □ MPLS385812T-10 |
| 15' x 3/8" x 15' x 5/8" Lineset (Twin-Tube Insulation) | □ MPLS385812T-15 |
| 30' x 3/8" x 30' x 5/8" Lineset (Twin-Tube Insulation) | □ MPLS385812T-30 |
| 50' x 3/8" x 50' x 5/8" Lineset (Twin-Tube Insulation) | □ MPLS385812T-50 |
| 65' x 3/8" x 65' x 5/8" Lineset (Twin-Tube Insulation) | □ MPLS385812T-65 |
| 100' x 3/8" x 100' x 5/8" Lineset (Twin-Tube Insulation) | □ MPLS385812T-100 |

DIMENSIONS: PEAD-A24AA7



- Note 1. Use an M10 screw for the suspension bolt (field supply).
2. Keep the service space for maintenance at the bottom.
3. This drawing is for PEAD-A24-30-36-42 AA7 models, which have 2 fans. PEAD-A09-12-15-18AA7 models have 1 fan.
4. If the inlet duct is used, remove the air filter (supplied with the unit), then install the filter (field supply) at the suction side.
5. Heat air to 0°C (32°F) or higher when taking fresh air with a fresh air intake.



Unit:mm(in.)

| Model | J | ① Gas pipe | ② Liquid pipe |
|-------------------|---------------|-----------------|----------------|
| PEAD-A09AA7 | 62 (2-1/2) | ø9.52 (3/8) | ø6.35 (1/4) |
| PEAD-A12,15,18AA7 | 62 (2-1/2) | ø12.7 (1/2) | ø6.35 (1/4) |
| PEAD-A24,30AA7 | 66 (2-5/8) | ø15.88 (5/8) | ø9.52 (3/8) |

Unit:mm(in.)

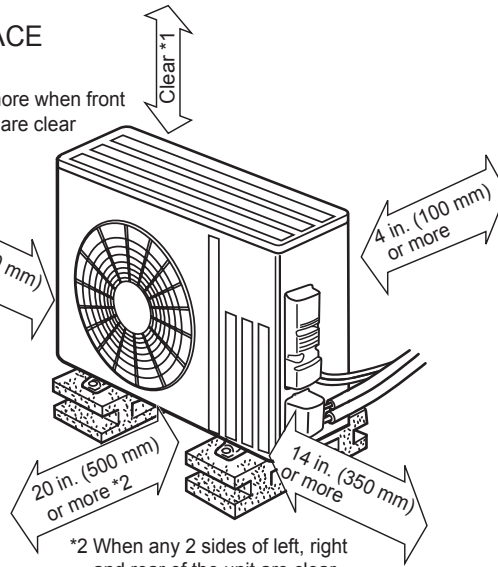
| Model | A | B | C | D | E | F | G | H |
|----------------------|-------------------|-------------------|-------------------|-------------------|----|-------------------|--------------------|---------------|
| PEAD-A09,12,15,18AA7 | 900 (35-7/16) | 954 (37-9/16) | 1000 (39-3/8) | 860 (33-7/8) | 9 | 800 (31-1/2) | 858 (33-13/16) | 72 (2-7/8) |
| PEAD-A24,30AA7 | 1100 (43-5/16) | 1154 (45-7/16) | 1200 (47-1/4) | 1060 (41-3/4) | 11 | 1000 (39-3/8) | 1058 (41-11/16) | 78 (3-1/8) |
| PEAD-A36,42AA7 | 1400 (55-1/8) | 1454 (57-1/4) | 1500 (59-1/16) | 1360 (53-9/16) | 14 | 1300 (51-3/16) | 1358 (53-1/2) | |

DIMENSIONS: SUZ-KA24NA2

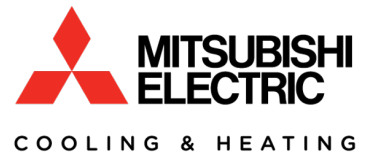
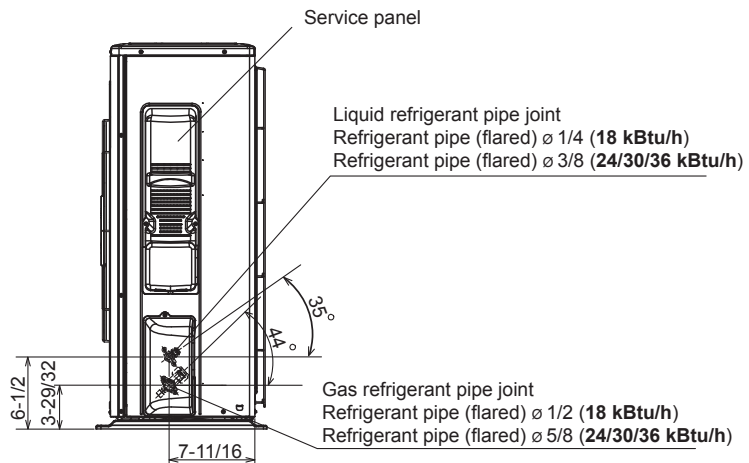
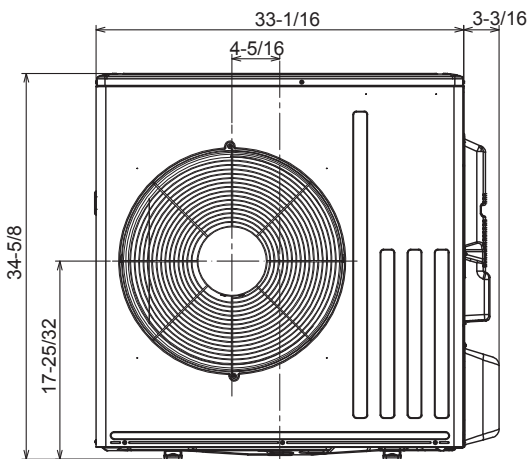
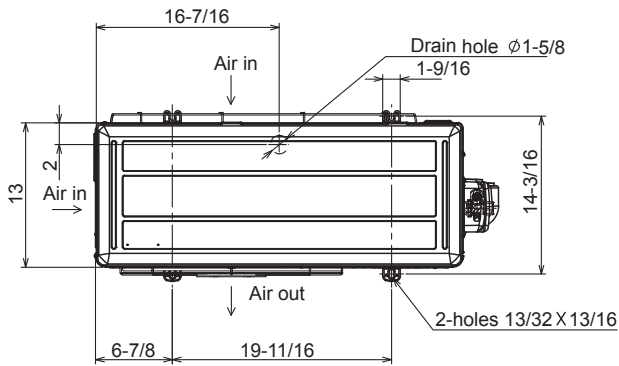
Unit: inch

REQUIRED SPACE

*1 20 in. (500 mm) or more when front and sides of the unit are clear



*2 When any 2 sides of left, right and rear of the unit are clear



1340 Satellite Boulevard, Suwanee, GA 30024
Toll Free: 800-433-4822 www.mehvac.com

FORM# PEAD-A24AA7 / SUZ-KA24NA2 - 201901



Specifications are subject to change without notice.

© 2019 Mitsubishi Electric Trane HVAC US LLC. All rights reserved.