

Air-Conditioners

SVZ-KP12,18, 24, 30, 36NA

OPERATION MANUAL

For safe and correct use, please read this operation manual thoroughly before installing the air-conditioner unit.

FOR INSTALLER

En

MANUEL D'INSTALLATION

Veillez lire le manuel d'installation en entier avant d'installer ce climatiseur pour éviter tout accident et vous assurer d'une utilisation correcte.

POUR L'INSTALLATEUR

Fr



Table of Contents

SVZ-KP12,18, 24, 30, 36NA	5
1. Safety Precautions	5
Symbols used in the text	5
Symbols used in the illustrations	5
Disposing of the unit	6
2. Part Names	7
3. Operation	8
3.1 Operation mode select	8
3.2 Fan speed setting	9
3.3 Ventilation	9
4. Timer	10
5. Care and Cleaning	11
6. Troubleshooting	13
7. Specifications	15
Memo	16
SVZ-KP12,18, 24, 30, 36NA	17
1. Consignes de sécurité	17
Symboles utilisés dans le texte	17
Symboles utilisés dans les illustrations	17
Mise au rebut de l'appareil	18
2. Nomenclature	19
3. Fonctionnement	20
3.1. Sélection du mode de fonctionnement	20
3.2. Réglage de la vitesse du ventilateur	21
3.3. Ventilation	21
4. Minuterie	22
5. Entretien et nettoyage	23
6. Guide de dépannage	25
7. Spécifications techniques	27
Note de service	29

1. Safety Precautions

- Before installing the unit, make sure you read all the “Safety Precautions”.
- The “Safety Precautions” provide very important points regarding safety. Make sure you follow them.
- Please report to or take consent by the supply authority before connection to the system.

Symbols used in the text



WARNING

Describes precautions that should be observed to prevent danger of injury or death to the user.



CAUTION

Describes precautions that should be observed to prevent damage to the unit.

Symbols used in the illustrations



: Indicates a part which must be grounded.

**WARNING**

- The unit must not be installed by the user. Ask the dealer or an authorized company to install the unit. If the unit is installed improperly, water leakage, electric shock or fire may result.
- Do not stand on, or place any items on the unit.
- Do not splash water over the unit and do not touch the unit with wet hands. An electric shock may result.
- Do not spray combustible gas close to the unit. Fire may result.
- Do not place a gas heater or any other open-flame appliance where it will be exposed to the air discharged from the unit. Incomplete combustion may result.
- Do not remove the front panel or the fan guard from the outdoor unit when it is running.
- When you notice exceptionally abnormal noise or vibration, stop operation, turn off the power switch, and contact your dealer.
- Never insert fingers, sticks etc. into the intakes or outlets.
- If you detect odd smells, stop using the unit, turn off the power switch and consult your dealer. Otherwise, a breakdown, electric shock or fire may result.
- This air conditioner is NOT intended for use by children or infirm persons without supervision.
- Young children must be supervised to ensure that they do not play with the air conditioner.
- If the refrigeration gas blows out or leaks, stop the operation of the air conditioner, thoroughly ventilate the room, and contact your dealer.

**CAUTION**

- Do not use any sharp object to push the buttons, as this may damage the remote controller.
- Never block or cover the indoor or outdoor unit's intakes or outlets.

Disposing of the unit

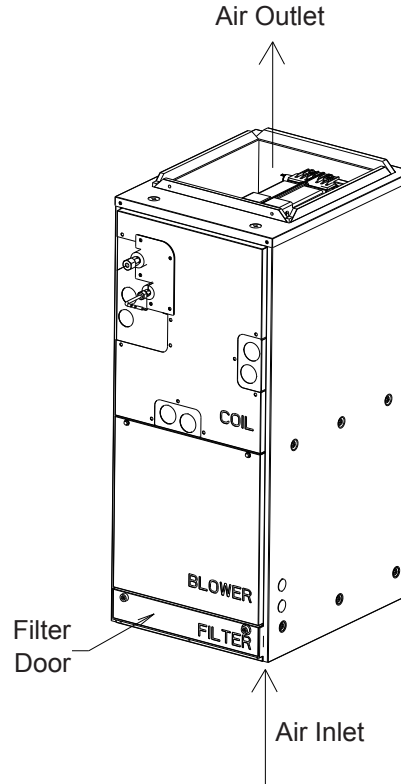
When you need to dispose of the unit, consult your dealer.

2. Part Names

- Indoor Unit

	SVP-KP-NA
Fan steps	3 steps
Vane	-
Louver	-
Filter	Normal
Filter cleaning indication	-

- SVZ-KP-NA
Multi Position



- Remote controller (Optional parts)

Radio frequency interface	Wired remote controller
<p>RF thermostat</p>	

ENGLISH

3. Operation

- About the operation method, refer to the operation manual that comes with each remote controller.

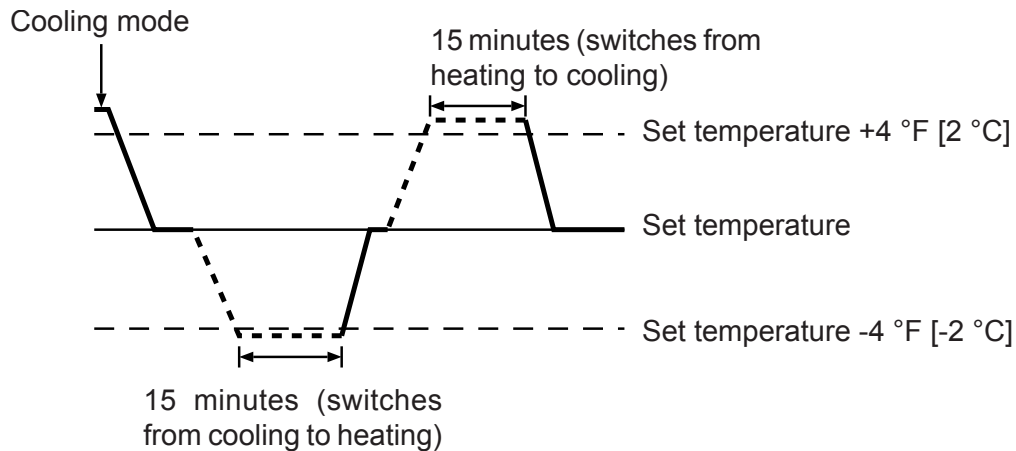
3.1 Operation mode select

Cool/DRY/Fan/Heat/Automatic (cool/heat)/Ventilation modes are available.



NOTE

- Heat and Automatic modes can not be available for cooling only units.
- Ventilation mode: only indicated on the following condition. Wired remote controller is used and LOSSNAY is connected.
- Automatic mode
 - According to a set temperature, cooling operation starts if the room temperature is too hot and heating operation starts if the room temperature is too cold.
 - During automatic operation, if the room temperature changes and remains 4 °F [2 °C] or more above the set temperature for 15 minutes, the air conditioner switches to cooling mode. If the room temperature remains 4 °F [2 °C] or more below the set temperature for 15 minutes, the air conditioner switches to heating mode.



3.2 Fan speed setting



NOTE

In the following cases, the actual fan speed generated by the unit will differ from the speed shown the remote controller display.

1. When the unit is in STAND BY or DEFROST states.
2. When the temperature of the heat exchanger is low in the heating mode. (e.g. immediately after heating operation starts)
3. In HEAT mode, when room temperature is higher than the temperature setting.
4. When the heater control mode is the factory setting and the heater is on, the fan will operate at high speed.
5. When the unit is in DRY mode.

3.3 Ventilation

For LOSSNAY combination

The following 2 patterns of operation are available:

- Run the ventilator together with the indoor unit.
- Run the ventilator independently.



NOTE

With some model configurations, the fan on the indoor unit may come on even when you set the ventilator to run independently.



NOTE

(for wireless RF thermostat):

- Running the ventilator independently is not available.
- No indication on the remote controller.

4. Timer

- Timer functions are different by each remote controller.
- For details on how to operate the remote controller, refer to the appropriate operation manual included with each remote controller.

5. Care and Cleaning

• Cleaning the filters

- Clean the filters using a vacuum cleaner. If you do not have a vacuum cleaner, tap the filters against a solid object to knock off dirt and dust.
- If the filters are especially dirty, wash them in lukewarm water. Take care to rinse off any detergent thoroughly and allow the filters to dry completely before putting them back into the unit.



CAUTION

- Do not dry the filters in direct sunlight or by using a heat source, such as an electric heater: this may warp them.
- Do not wash the filters in hot water (above 122 °F [50 °C]), as this may warp them.
- Make sure that the air filters are always installed. Operating the unit without air filters can cause malfunction.



CAUTION

- Before you start cleaning, stop operation and turn OFF the power supply.
- Indoor units are equipped with filters to remove the dust of sucked-in air. Clean the filters using the methods shown in the following sketches.

• Filter removal



CAUTION

Caution:

- In removing the filter, precautions must be taken to protect your eyes from dust. Also, if you have to climb up on a stool to do the job, be careful not to fall.
- When the filter is removed, do not touch the metallic parts inside the indoor unit, otherwise injury may result.

• Removal and replacement of filter

- Unscrew the two thumb knobs on the panel stamped “filter” tilt forward and pull the panel out. Grasp the edge of the filter and slide out. Re-install in reverse. (see Fig A)

■ SVZ-KP-NA

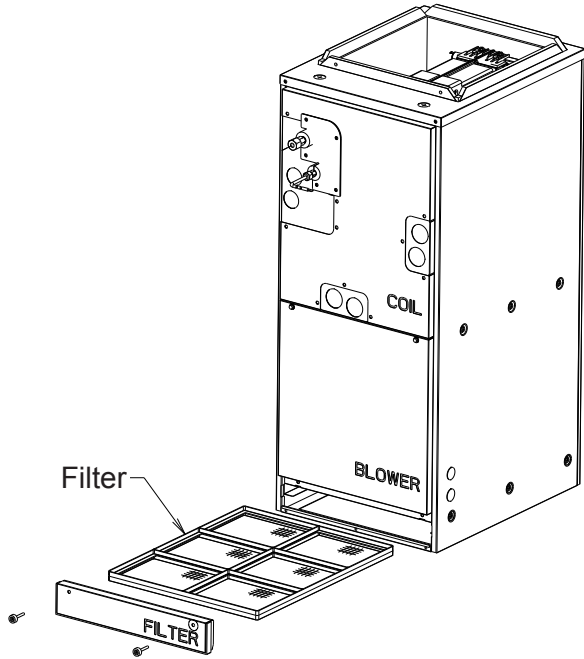



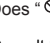




Fig A

6. Troubleshooting

Having trouble?	Here is the solution. (Unit is operating normally.)
Air conditioner does not heat or cool well.	<ul style="list-style-type: none"> • Clean the filter. (Airflow is reduced when the filter is dirty or clogged.) • Check the temperature adjustment and adjust the set temperature. • Make sure that there is plenty of space around the outdoor unit. Is the indoor unit air intake or outlet blocked? • Has a door or window been left open?
When heating operation starts, warm air does not blow from the indoor unit soon.	<ul style="list-style-type: none"> • Warm air does not blow until the indoor unit has sufficiently warmed up.
During Heat mode, the air conditioner stops before the set room temperature is reached.	<ul style="list-style-type: none"> • When the outdoor temperature is low and the humidity is high, frost may form on the outdoor unit. If this occurs, the outdoor unit performs a defrosting operation. Normal operation should begin after approximately 10 minutes.
Airflow direction changes during operation or airflow direction cannot be set.	<ul style="list-style-type: none"> • During Heat mode, the vanes automatically move to the horizontal airflow direction when the airflow temperature is low or during defrosting mode.
When the airflow direction is changed, the vanes always move up and down past the set position before finally stopping at the position.	<ul style="list-style-type: none"> • When the airflow direction is changed, the vanes move to the set position after detecting the base position.
A flowing water sound or occasional hissing sound is heard.	<ul style="list-style-type: none"> • These sounds can be heard when refrigerant is flowing in the air conditioner or when the refrigerant flow is changing.
A cracking or creaking sound is heard.	<ul style="list-style-type: none"> • These sounds can be heard when parts rub against each due to expansion and contraction from temperature changes.
The room has an unpleasant odor.	<ul style="list-style-type: none"> • The indoor unit draws in air that contains gases produced from the walls, carpeting, and furniture as well as odors trapped in clothing, and then blows this air back into the room.
A white mist or vapor is emitted from the indoor unit.	<ul style="list-style-type: none"> • If the indoor temperature and the humidity are high, this condition may occur when operation starts. • During defrosting mode, cool airflow may blow down and appear like a mist.
Water or vapor is emitted from the outdoor unit.	<ul style="list-style-type: none"> • During Cool mode, water may form and drip from the cool pipes and joints. • During Heat mode, water may form and drip from the heat exchanger. • During defrosting mode, water on the heat exchanger evaporates and water vapor may be emitted.
"  " appears in the remote controller display.	<ul style="list-style-type: none"> • During central control, "" appears in the remote controller display. and air conditioner operation cannot be started or stopped using the remote controller.
When restarting the air conditioner soon after stopping it, it does not operate even though the ON/OFF button is pressed.	<ul style="list-style-type: none"> • Wait approximately three minutes. (Operation has stopped to protect the air conditioner.)
Air conditioner operates without the ON/OFF button being pressed.	<ul style="list-style-type: none"> • Is the on timer set? Press the ON/OFF button to stop operation. • Is the air conditioner connected to a central remote controller? Consult the concerned people who control the air conditioner. • Does "" appear in the remote controller display? Consult the concerned people who control the air conditioner. • Has the auto recovery feature from power failures been set? Press the ON/OFF button to stop operation.
Air conditioner stops without the ON/OFF button being pressed.	<ul style="list-style-type: none"> • Is the off timer set? Press the ON/OFF button to restart operation. • Is the air conditioner connected to a central remote controller? Consult the concerned people who control the air conditioner. • Does "" appear in the remote controller display? Consult the concerned people who control the air conditioner.

Having trouble?	Here is the solution. (Unit is operating normally.)												
Remote controller timer operation cannot be set.	<ul style="list-style-type: none"> Are timer settings invalid? If the timer can be set, display.  or  appears in the remote controller 												
"PLEASE WAIT" appears in the remote controller display.	<ul style="list-style-type: none"> The initial settings are being performed. Wait approximately 3 minutes. 												
An error code appears in the remote controller display.	<ul style="list-style-type: none"> The protection devices have operated to protect the air conditioner. Do not attempt to repair this equipment by yourself. Turn off the power switch immediately and consult your dealer. Be sure to provide the dealer with the model name and information that appeared in the remote controller display. 												
Draining water or motor rotation sound is heard.	<ul style="list-style-type: none"> When cooling operation stops, the drain pump operates and then stops. Wait approximately 5 minutes. 												
Noise is louder than specifications.	<ul style="list-style-type: none"> The indoor operation sound level is affected by the acoustics of the particular room as shown in the following table and will be higher than the noise specification, which was measured in anechoic room. <table border="1" data-bbox="727 642 1421 810"> <thead> <tr> <th></th> <th>High sound absorbing rooms</th> <th>Normal rooms</th> <th>Low sound absorbing rooms</th> </tr> </thead> <tbody> <tr> <td>Location examples</td> <td>Broadcasting studio, music room, etc</td> <td>Reception room, hotel lobby, etc.</td> <td>Office, hotel room</td> </tr> <tr> <td>Noise levels</td> <td>3 to 7 dB(A)</td> <td>6 to 10 dB(A)</td> <td>9 to 13 dB(A)</td> </tr> </tbody> </table>		High sound absorbing rooms	Normal rooms	Low sound absorbing rooms	Location examples	Broadcasting studio, music room, etc	Reception room, hotel lobby, etc.	Office, hotel room	Noise levels	3 to 7 dB(A)	6 to 10 dB(A)	9 to 13 dB(A)
	High sound absorbing rooms	Normal rooms	Low sound absorbing rooms										
Location examples	Broadcasting studio, music room, etc	Reception room, hotel lobby, etc.	Office, hotel room										
Noise levels	3 to 7 dB(A)	6 to 10 dB(A)	9 to 13 dB(A)										
Nothing appears in the wireless remote controller display, the display is faint, or signals are not received by the indoor unit unless the remote controller is close.	<ul style="list-style-type: none"> The batteries are low. Replace the batteries and press the Reset button. If nothing appears even after the batteries are replaced, make sure that the batteries are installed in the correct directions (+, -) 												
The operation lamp near the receiver for the wireless remote controller on the indoor unit is blinking.	<ul style="list-style-type: none"> The self diagnosis function has operated to protect the air conditioner. Do not attempt to repair this equipment by yourself. Turn off the power switch immediately and consult your dealer. Be sure to provide the dealer with the model name. 												

7. Specifications

SVZ-KP NA Series

Item / Model			Small Cabinet			Medium Cabinet	
			SVZ-KP12NA	SVZ-KP18NA	SVZ-KP24NA	SVZ-KP30NA	SVZ-KP36NA
Power Source			208/230V, 1-phase, 60Hz				
Cooling capacity/Heating capacity		Btu/h	12,000 / 13,500	18,000 / 22,800	24,000 / 27,000	30,000 / 34,000	36,000 / 40,000
		kW	3.5/4.0	5.3/6.7	7.0 / 7.9	8.8 / 10.0	10.6 / 11.7
Tonnage			1	1.5	2	2.5	3
Dimensions	Height	mm [in]	1,101 [39-3/4]			1,113.8 [43-7/8]	
	Width	mm [in]	432 [17]				
	Depth	mm [in]	548 [21-5/8]				
Net weight		kg [lb]	43 [93]			54 [119]	
Fan	Airflow rate (Low-Mid-High)	CFM	314 – 381 – 448	471 – 573 – 675	515 - 625 - 735	613 - 744 - 875	767 - 931 - 1,095
	External static pressure	in. WG	0.30 - 0.50 - 0.80				
		[Pa]	[75 - 125 - 200]				
Sound Pressure (Low - Mid - High)		dB(A)	29 - 34 - 37	31 - 35 - 39	30-34-38	32-36-40	35-39-43

Notes:

- Rating conditions (cooling)
Indoor : 80 °F [26.7 °C] D.B., 67 °F [19.4 °C] W.B.
Outdoor : 95 °F [35 °C] D.B.
- Rating conditions (heating)
Indoor : 70 °F [21.1 °C] D.B.
Outdoor : 47 °F [8.3 °C] D.B., 43 °F [6.1 °C] W.B.
- The indicated capacity is the value when one indoor unit is connected to the outdoor unit.
- Specifications subject to change without notice.
- The external static pressure is set to 0.50 in. WG (125 Pa) at factory shipment.

Table 1. Guaranteed operating range

		Indoor
Cooling	Upper limit	95 °F [35 °C] D.B.
		71 °F [21.7 °C] W.B.
	Lower limit	67 °F [19.4 °C] D.B.
		57 °F [13.9 °C] W.B.
Heating	Upper limit	80 °F [26.7 °C] D.B.
		-
	Lower limit	70 °F [21.1 °C] D.B.
		-

- Units should be installed by licensed electric contractor accordingly to local code requirement.
- For outdoor units to be connected, refer to the Installation Manual that comes with the units.

Memo

ENGLISH

1. Consignes de sécurité

- Avant d'installer le climatiseur, lisez attentivement toutes les "Consignes de sécurité".
- Les "Consignes de sécurité" concernent des points très importants en matière de sécurité. Veillez à bien les suivre.
- Veillez à consulter ou obtenir la permission de la compagnie d'électricité avant de connecter au système.

Symboles utilisés dans le texte



AVERTISSEMENT

Décrit les précautions à suivre pour éviter tout danger de blessure ou de décès de l'utilisateur.



ATTENTION

Décrit les précautions à suivre pour éviter d'endommager l'appareil.

Symboles utilisés dans les illustrations



: Indique une pièce à mettre à la terre.



AVERTISSEMENT

- Cet appareil ne doit pas être installé par l'utilisateur. Demandez au revendeur ou à une société agréée de l'installer. Si l'appareil n'est pas correctement installé, il peut y avoir un risque de fuite d'eau, d'électrocution ou d'incendie.
- Ne montez pas sur l'appareil et ne posez aucun objet dessus.
- N'éclaboussez pas l'appareil et ne le touchez pas avec des mains humides. Cela risquerait de provoquer une électrocution.
- Ne vaporisez pas de gaz inflammable à proximité de l'appareil. Cela risquerait de provoquer un incendie.
- Ne placez pas un chauffage au gaz ou tout autre appareil fonctionnant avec une flamme nue là où il serait exposé à l'échappement d'air du climatiseur. Cela risquerait de provoquer une mauvaise combustion.
- Ne retirez pas la face avant ou la protection du ventilateur de l'appareil extérieur pendant son fonctionnement.
- En cas de vibrations ou de bruits particulièrement anormaux, arrêtez l'appareil, mettez-le hors tension et contactez votre revendeur.
- Ne mettez jamais les doigts, des bâtons, etc. dans les entrées ou les sorties d'air.
- En cas d'odeurs étranges, arrêtez l'appareil, mettez-le hors tension et contactez votre revendeur. Dans le cas contraire, une panne, une électrocution ou un incendie pourrait se produire.
- Ne laissez JAMAIS des enfants ou des personnes handicapées utiliser le climatiseur sans surveillance.
- Il est nécessaire de surveiller les jeunes enfants pour qu'ils ne jouent pas avec le climatiseur.
- Si le gaz réfrigérant fuit, arrêtez le fonctionnement du climatiseur, aérez convenablement la pièce et contactez votre revendeur.



ATTENTION

- N'utilisez pas d'objet pointu pour enfoncer les boutons car cela risquerait d'endommager la commande à distance.
- N'obstruez ou ne couvrez jamais les entrées ou les sorties des appareils extérieurs et intérieurs.

Mise au rebut de l'appareil

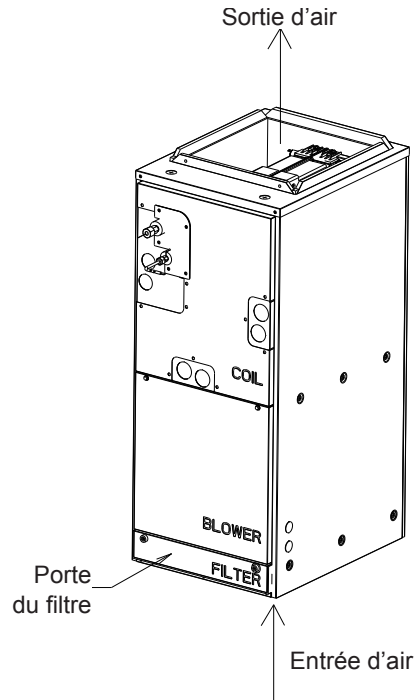
Lorsque vous devez mettre l'appareil au rebut, consultez votre revendeur.

2. Nomenclature

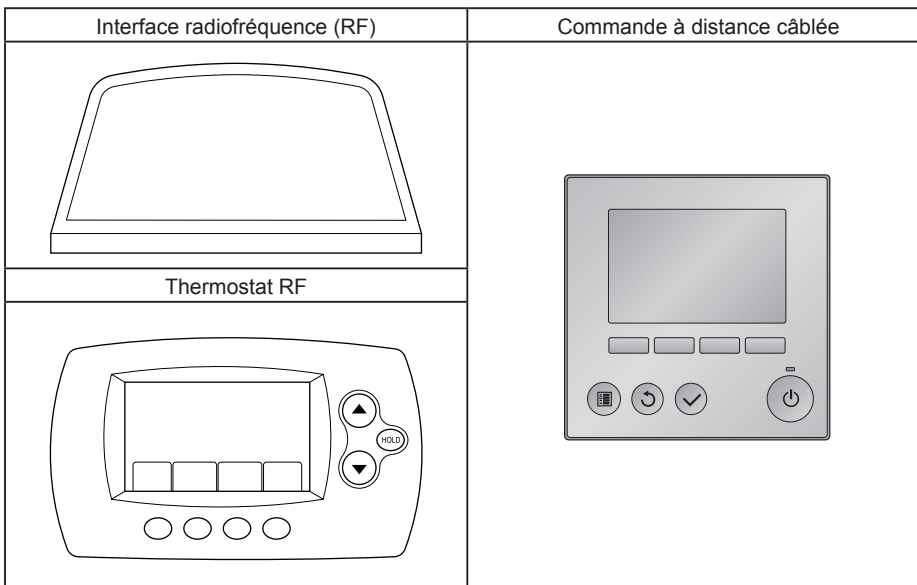
- Appareil intérieur

	SVP-KP-NA
Modes du ventilateur	3 modes
Ailette	-
Louvre	-
Filtre	Normal
Témoin de nettoyage du filtre	-

- SVZ-KP-NA
Multi-positions



- Commande à distance (pièces en option)



3. Fonctionnement

- Concernant le mode de fonctionnement, reportez-vous au manuel d'utilisation fourni avec chaque commande à distance.

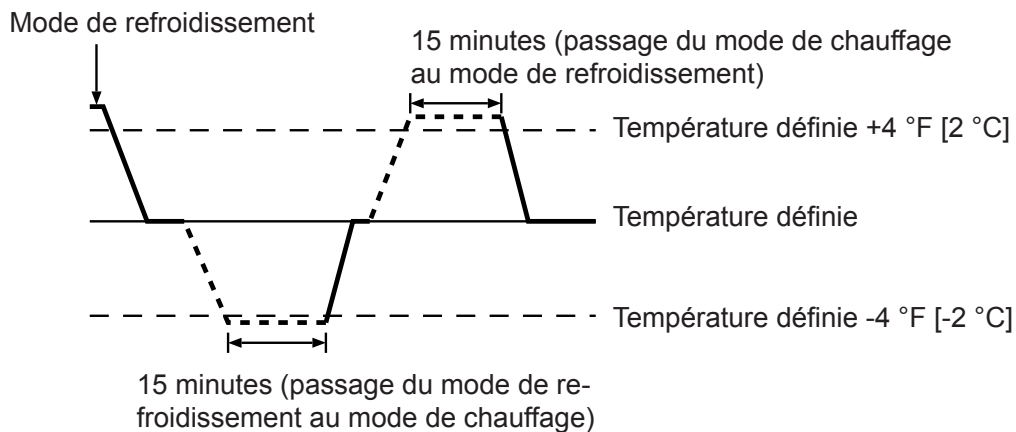
3.1. Sélection du mode de fonctionnement

Les modes de refroidissement/assèchement/soufflerie/chauffage/automatique (refroidissement/chauffage)/ventilation sont disponibles.



NOTE

- Le mode de chauffage et le mode automatique ne sont pas disponibles pour les appareils de refroidissement uniquement.
- Mode de ventilation : uniquement indiqué dans les conditions suivantes. Utilisation de la commande à distance câblée et raccordement d'un appareil LOSSNAY.
- Mode automatique
 - En fonction de la température définie préalablement, l'opération de refroidissement débutera si la température de la pièce est trop élevée ; à l'inverse, l'opération de chauffage débutera si la température de la pièce est trop basse.
 - En mode de fonctionnement automatique, le climatiseur passera en mode de refroidissement si la température de la pièce change et affiche 4 °F [2 °C] ou plus au-dessus de la température définie pendant 15 minutes. De la même façon, le climatiseur passera en mode de chauffage si la température de la pièce affiche 4 °F [2 °C] ou plus au-dessous de la température définie pendant 15 minutes.



3.2. Réglage de la vitesse du ventilateur



NOTE

Dans les cas suivants, la vitesse du ventilateur actuelle générée par l'appareil sera différente de la vitesse indiquée sur l'écran de la commande à distance.

1. Lorsque l'appareil est en mode PRÉCHAUFFAGE ou DÉGIVRAGE.
2. Lorsque la température de l'échangeur thermique est basse en mode de chauffage (par exemple, immédiatement après le lancement de l'opération de chauffage).
3. En mode CHAUFFAGE, quand la température ambiante dans la pièce est supérieure à la température réglée.
4. Lorsque le mode de commande du chauffage correspond au réglage d'usine et le chauffage est sous tension, le ventilateur fonctionne à grande vitesse.
5. Quand l'unité est en mode SEC.

3.3. Ventilation

Pour la combinaison avec un appareil LOSSNAY

Les 2 modèles de fonctionnement suivants sont disponibles:

- Fonctionnement du ventilateur avec l'appareil intérieur.
- Fonctionnement autonome du ventilateur.



NOTE

Dans certaines configurations, la soufflerie de l'appareil intérieur peut se mettre en marche même en cas d'activation du fonctionnement autonome du ventilateur.



NOTE

(pour le thermostat RF sans fil)

- Impossible de faire fonctionner le ventilateur de façon autonome.
- Aucune indication sur la commande à distance.

4. Minuterie

- Les fonctions de minuterie sont différentes pour chaque commande à distance.
- Pour plus de détails sur le mode de fonctionnement de la télécommande, reportez-vous au manuel d'utilisation approprié fourni avec chaque télécommande.

5. Entretien et nettoyage

• Nettoyage des filtres

- Nettoyez les filtres avec un aspirateur. Si vous ne possédez pas d'aspirateur, battre les filtres contre un objet dur afin de les secouer et de retirer toutes les saletés et la poussière.
- Si les filtres sont particulièrement sales, lavez-les à l'eau tiède. Veillez à rincer soigneusement toute trace de détergent et laissez sécher les filtres complètement avant de les remonter dans le climatiseur.



ATTENTION

- Ne faites pas sécher les filtres au soleil ou en utilisant une source de chaleur comme un chauffage électrique : vous risqueriez de les déformer.
- Ne lavez pas les filtres à l'eau chaude (au-dessus de 122 °F [50 °C]) car vous risqueriez de les déformer.
- Veillez à ce que les filtres à air soient toujours en place. L'utilisation de l'appareil alors que les filtres sont retirés pourrait en effet être à l'origine d'un mauvais fonctionnement.



ATTENTION

- Avant de commencer le nettoyage, arrêtez l'appareil et coupez l'alimentation.
- Les appareils intérieurs sont équipés de filtres servant à extraire les poussières de l'air aspiré. Nettoyez les filtres selon les méthodes illustrées ci-après.

• Retrait du filtre



ATTENTION

Précaution:

- Lors du retrait du filtre, protégez vos yeux de la poussière. Si vous devez monter sur un tabouret pour effectuer l'opération, faites attention de ne pas tomber.
- Une fois le filtre retiré, ne touchez pas les pièces métalliques internes de l'appareil intérieur sous peine de blessure.

• Retrait et remplacement du filtre

- Dévissez les deux boutons sur le panneau portant l'inscription "filter", inclinez vers l'avant et retirez le panneau. Saisissez le bord du filtre et faites-le glisser pour le retirer. Réinstallez dans le sens inverse du retrait. (Voir Fig A)

■ SVZ-KP-NA

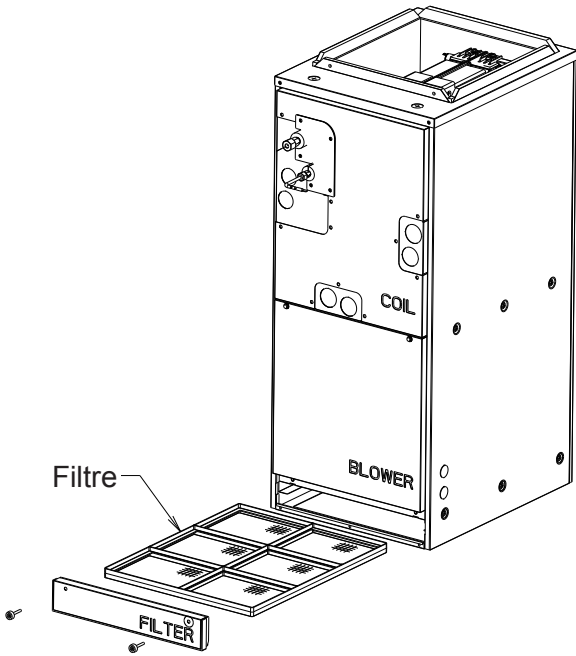




Fig A

6. Guide de dépannage

En cas de problème:	Voici la solution (L'appareil fonctionne normalement.)
Le climatiseur ne chauffe ni ne refroidit correctement.	<ul style="list-style-type: none"> • Nettoyez le filtre. (Le débit d'air est réduit lorsque le filtre est sale ou colmaté.) • Contrôlez la température et ajustez la température définie en conséquence. • Assurez-vous qu'il y a suffisamment d'espace autour de l'appareil extérieur. L'admission ou la sortie d'air de l'appareil intérieur est-elle bloquée ? • Une porte ou une fenêtre a-t-elle été laissée ouverte ?
Lorsque l'opération de chauffage débute, de l'air chaud n'est pas expulsé immédiatement de l'appareil intérieur.	<ul style="list-style-type: none"> • De l'air chaud est expulsé uniquement lorsque l'appareil intérieur est suffisamment chaud.
Pendant le mode de chauffage, le climatiseur s'arrête avant que la température ambiante soit atteinte.	<ul style="list-style-type: none"> • Lorsque la température extérieure est basse et l'humidité de l'air importante, du givre peut se former sur l'appareil extérieur. Dans ce cas, l'appareil extérieur procède à une opération de dégivrage. Un fonctionnement normal de l'appareil devrait débiter au bout de 10 minutes environ.
La direction du débit d'air varie pendant l'opération ou la direction ne peut être définie.	<ul style="list-style-type: none"> • Pendant le mode de chauffage, les ailettes se placent automatiquement dans le sens de flux d'air horizontal lorsque la température du flux d'air est basse ou pendant le mode de dégivrage.
Lorsque la direction du débit d'air est modifiée, les ailettes se déplacent toujours vers le haut et vers le bas au-delà de la position déterminée avant de s'arrêter sur la position souhaitée.	<ul style="list-style-type: none"> • Lorsque la direction du débit d'air est modifiée, les ailettes se placent sur la position déterminée après être passées par la position de base.
Un bruit d'eau qui ruisselle ou plus rarement un souffle peut être perçu.	<ul style="list-style-type: none"> • Ces bruits peuvent être perçus lorsque le réfrigérant circule dans le climatiseur ou lorsque le flux du réfrigérant a été modifié.
Un craquement ou un grincement peut être perçu.	<ul style="list-style-type: none"> • Ces bruits peuvent être perçus lorsque les pièces du climatiseur frottent les unes contre les autres en raison de l'expansion et de la contraction qui résultent des variations de température.
La pièce a une odeur désagréable.	<ul style="list-style-type: none"> • L'appareil intérieur aspire de l'air qui contient des gaz produits par les murs, les moquettes et les meubles ainsi que des odeurs véhiculées par les vêtements, puis il les expulse à nouveau dans la pièce.
Une buée ou vapeur blanche sort de l'appareil intérieur.	<ul style="list-style-type: none"> • Si la température intérieure et l'humidité de l'air sont élevées, cette situation peut se produire en début d'opération. • En mode de dégivrage, de l'air froid peut être expulsé et avoir l'apparence de la buée.
De l'eau ou de la vapeur sort de l'appareil extérieur.	<ul style="list-style-type: none"> • Pendant le mode de dégivrage, l'eau présente sur l'échangeur de chaleur s'évapore et de la vapeur d'eau peut être émise. • Pendant le mode de chauffage, de l'eau peut se former et s'égoutter de l'échangeur de chaleur. • En mode de dégivrage, l'eau présente sur l'échangeur thermique s'évapore provoquant ainsi une émission de vapeur d'eau.
Le signe "⊗" apparaît sur l'écran de la télécommande.	<ul style="list-style-type: none"> • Lors du contrôle centralisé, Le signe "⊗" apparaît sur l'écran de la télécommande. et le fonctionnement du climatiseur ne peut être lancé ou arrêté à l'aide de la télécommande.
Lorsque le climatiseur est redémarré immédiatement après avoir été éteint, son fonctionnement est bloqué même si la touche "ON/OFF" (Marche/Arrêt) est sollicitée.	<ul style="list-style-type: none"> • Patientez trois minutes environ. (Le fonctionnement s'est arrêté pour protéger le climatiseur.)
Le climatiseur fonctionne sans que la touche "ON/OFF" (Marche/Arrêt) soit sollicitée.	<ul style="list-style-type: none"> • La fonction de marche de la minuterie a-t-elle été réglée? Appuyez sur la touche "ON/OFF" (Marche/Arrêt) pour l'arrêter. • Le climatiseur est-il relié à une télécommande centralisée ? Veuillez consulter les personnes responsables du contrôle du climatiseur. • Le signe "⊗" apparaît sur l'écran de la télécommande ? Veuillez consulter les personnes responsables du contrôle du climatiseur. • La fonction de recouvrement auto en cas de coupure d'électricité a-t-elle été réglée? Appuyez sur la touche "ON/OFF" (Marche/Arrêt) pour l'arrêter.

En cas de problème:	Voici la solution (L'appareil fonctionne normalement.)												
Le climatiseur s'arrête sans que la touche "ON/OFF" (Marche/Arrêt) soit sollicitée.	<ul style="list-style-type: none"> La fonction d'arrêt de la minuterie a-t-elle été réglée? Appuyez sur la touche "ON/OFF" (Marche/Arrêt) pour relancer l'opération. Le climatiseur est-il relié à une télécommande centralisée? Veuillez consulter les personnes responsables du contrôle du climatiseur. Le signe "☺" apparaît sur l'écran de la télécommande? Veuillez consulter les personnes responsables du contrôle du climatiseur. 												
Le fonctionnement de la minuterie de la télécommande ne peut pas être réglé.	<ul style="list-style-type: none"> Les paramétrages de la minuterie sont-ils invalides? Si la minuterie peut être réglée, les signes  ou  doivent apparaître sur l'écran de la télécommande. 												
Le message "PLEASE WAIT" (VEUILLEZ PATIENTER) apparaît sur l'écran de la télécommande.	<ul style="list-style-type: none"> Les paramétrages initiaux sont en cours d'exécution. Patientez trois minutes environ. 												
Un code d'erreur apparaît sur l'écran de la télécommande.	<ul style="list-style-type: none"> Les dispositifs de protection ont fonctionné pour protéger le climatiseur. N'essayez pas de réparer cet appareil vous-même. Mettez l'appareil hors tension immédiatement et consultez votre revendeur. Vous devrez fournir au revendeur le nom du modèle et les informations qui apparaissent sur l'écran de la télécommande. 												
Un bruit de goutte à goutte ou de moteur qui tourne peut être perçu.	<ul style="list-style-type: none"> A l'arrêt de l'opération de refroidissement, la pompe de vidange se met en marche puis s'arrête. Patientez 5 minutes environ. 												
Le bruit perçu est supérieur aux caractéristiques sonores.	<ul style="list-style-type: none"> Le niveau sonore du fonctionnement intérieur dépend de l'acoustique de la pièce dans laquelle l'appareil est installé (voir tableau suivant), et sera supérieur aux caractéristiques sonores (mesurées dans une pièce sans écho). <table border="1" data-bbox="727 898 1421 1144"> <thead> <tr> <th></th> <th>Pièces présentant une absorption phonique élevée</th> <th>Pièces présentant une absorption phonique normale</th> <th>Pièces présentant une absorption phonique faible</th> </tr> </thead> <tbody> <tr> <td>Exemples de pièce</td> <td>Studio de radiodiffusion, salle de musique, etc.</td> <td>Salle de réception, entrée d'hôtel, etc.</td> <td>Bureau, chambre d'hôtel</td> </tr> <tr> <td>Niveaux sonores</td> <td>3 à 7 dB</td> <td>6 à 10 dB</td> <td>9 à 13 dB</td> </tr> </tbody> </table>		Pièces présentant une absorption phonique élevée	Pièces présentant une absorption phonique normale	Pièces présentant une absorption phonique faible	Exemples de pièce	Studio de radiodiffusion, salle de musique, etc.	Salle de réception, entrée d'hôtel, etc.	Bureau, chambre d'hôtel	Niveaux sonores	3 à 7 dB	6 à 10 dB	9 à 13 dB
	Pièces présentant une absorption phonique élevée	Pièces présentant une absorption phonique normale	Pièces présentant une absorption phonique faible										
Exemples de pièce	Studio de radiodiffusion, salle de musique, etc.	Salle de réception, entrée d'hôtel, etc.	Bureau, chambre d'hôtel										
Niveaux sonores	3 à 7 dB	6 à 10 dB	9 à 13 dB										
Rien n'apparaît sur l'écran de la télécommande sans fil, l'écran est flou, ou l'appareil intérieur ne reçoit aucun signal sauf si la télécommande est éteinte.	<ul style="list-style-type: none"> Les piles sont faibles. Remplacez les piles et appuyez sur la touche "Reset" (Réinitialiser). Si rien n'apparaît suite au remplacement des piles, assurez-vous que les piles sont insérées conformément à la polarité indiquée (+, -). 												
Le témoin de fonctionnement situé près du récepteur de la télécommande sans fil sur l'appareil intérieur clignote.	<ul style="list-style-type: none"> La fonction d'auto-diagnostic a fonctionné pour protéger le climatiseur. N'essayez pas de réparer cet appareil vous-même. Mettez l'appareil hors tension immédiatement et consultez votre revendeur. Veuillez fournir au revendeur le nom du modèle. 												

7. Spécifications techniques

SVZ-KP NA Series

Élément / Modèle			Petit caisson			Caisson moyen	
			SVZ-KP12NA	SVZ-KP18NA	SVZ-KP24NA	SVZ-KP30NA	SVZ-KP36NA
Alimentation			208/230 V, monophasé, 60 Hz				
Capacité de refroidissement / Capacité de chauffage		Btu/h	12,000 / 13,500	18,000 / 22,800	24,000 / 27,000	30,000 / 34,000	36,000 / 40,000
		kW	3.5/4.0	5.3/6.7	7.0 / 7.9	8.8 / 10.0	10.6 / 11.7
Tonnage			1	1.5	2	2.5	3
Dimensions	Hauteur	mm [in]	1101 [39-3/4]			1,113.8 [43-7/8]	
	Largeur	mm [in]	432 [17]				
	Profondeur	mm [in]	548 [21-5/8]				
Poids net		kg [lb]	43 [93]			54 [119]	
Ventilateur	Débit d'air (Faible-Moyen-Élevé)	CFM	314 - 381 - 448	471 - 573 - 675	515 - 625 - 735	613 - 744 - 875	767 - 931 - 1,095
	Pression statique extérieure	in. WG	0.30 - 0.50 - 0.80				
		[Pa]	[75 - 125 - 200]				
Pression acoustique (Basse-Moyenne-Élevée)		[dB]	29 - 34 - 37	31 - 35 - 39	30-34-38	32-36-40	35-39-43

Remarques:

- Conditions de tension (refroidissement)
À l'intérieur: 80 °F [26,7 °C] TS, 67 °F [19,4 °C] TM
À l'extérieur: 95 °F [35 °C] TS
- Conditions de tension (chauffage)
À l'intérieur: 70 °F [21,1 °C] TS
À l'extérieur: 47 °F [8,3 °C] TS, 43 °F [6,1 °C] TM
- La valeur indiquée correspond à la capacité quand un appareil intérieur est raccordé à un appareil extérieur.
- Spécifications sujettes à des modifications sans avis préalable.
- La pression statique extérieure est réglée sur la valeur 0,50 in. WG (125 Pa) en usine.

Tableau 1. Plage de fonctionnement garantie

		À l'intérieur
Refroidissement	Maximum	95 °F [35 °C] TS
		71 °F [21,7 °C] TM
	Minimum	67 °F [19,4 °C] TS
		57 °F [13,9 °C] TM
Chauffage	Maximum	80 °F [26,7 °C] TS
		-
	Minimum	70 °F [21,1 °C] TS
		-

1. Les appareils doivent être installés par un électricien professionnel agréé conformément aux normes locales.
2. Pour le raccordement des appareils extérieurs, reportez-vous au manuel d'installation fourni avec les appareils.

Note de service

This product is designed and intended for use in the residential, commercial and light-industrial environment.

Please be sure to put the contact address/telephone number on this manual before handing it to the customer.

mitsubishi **MITSUBISHI ELECTRIC US, INC.**

www.mitsubishielectric-usa.com

Toll Free: 800-433-4822