

Air-Conditioners

SUZ-KA09, KA12, KA15, KA18NA

INSTALLATION MANUAL

For safe and correct use, read this manual and the indoor unit installation manual thoroughly before installing the air-conditioner unit.

FOR INSTALLER

MANUEL D'INSTALLATION

Avant d'installer le climatiseur, lire attentivement ce manuel, ainsi que le manuel d'installation de l'appareil intérieur pour une utilisation sûre et correcte.

POUR L'INSTALLATEUR

MANUAL DE INSTALACIÓN

Para un uso correcto y seguro, lea detalladamente este manual y el manual de instalación de la unidad interior antes de instalar la unidad de aire acondicionado.

PARA EL INSTALADOR

English

Français

Español

Contents

1. The following should always be observed for safety	2	4. Refrigerant piping work	4
2. Selecting the installation location	3	5. Electrical work	6
3. Installation diagram	3	6. Maintenance	7

1. The following should always be observed for safety

- Please provide an exclusive circuit for the air conditioner and do not connect other electrical appliances to it.
- Be sure to read “The following should always be observed for safety” before installing the air conditioner.
- Be sure to observe the cautions specified here as they include important items related to safety.
- The indications and meanings are as follows.

⚠ Warning:
Could lead to death or serious injury.

⚠ Caution:
Could lead to serious injury when operated incorrectly.
• After reading this manual, be sure to keep it together with the instruction manual in a handy place on the customer’s site.

⚡ : Indicates a part which must be grounded.

⚠ Warning:
Carefully read the labels affixed to the main unit.

⚠ Warning:

- **Do not install the unit by yourself (user).**
Improper or incomplete installation could cause fire, electric shock, injury due to the unit falling, or water leakage. Consult a qualified installer or the dealer from whom you purchased the unit.
- **Follow the instructions detailed in the installation manual.**
Incomplete installation could cause fire or electric shock, injury due to the unit falling, or leakage of water.
- **Install the unit securely in a place that can bear the weight of the unit.**
If the installation location cannot bear the weight of the unit, the unit could fall causing injury.
- **Perform electrical work according to the installation manual and be sure to use an exclusive circuit. Do not connect other electrical appliances to the circuit.**
If the capacity of the power circuit is insufficient or there is incomplete electrical work, it could result in a fire or an electric shock.
- **Ground the unit correctly.**
Do not connect the ground wire to a gas pipe, water pipe, lightning rod or telephone ground. Defective grounding could cause electric shock.
- **Do not damage the wires.**
Damaged wires could cause fire.
- **Be sure to shut off the main power when setting up the indoor P.C. board or wiring.**
Failure to do so could cause electric shock.
- **Use the specified wires to securely connect the indoor and outdoor units. Attach the wires firmly to avoid applying stress to the terminal block.**
Improper connection could cause fire.
- **Do not install the unit in a place where flammable gas may leak.**
If gas leaks and accumulates around the unit, it could cause an explosion.
- **Do not use intermediate connection of the power cord or the extension cord. Do not connect many devices to one AC outlet.**
It could cause a fire or an electric shock.
- **Use the parts provided or specified parts for the installation work.**
The use of defective parts could cause an injury or leakage of water due to a fire, an electric shock, the unit falling, etc.

- **Securely attach the electrical cover to the indoor unit and the service panel to the outdoor unit.**
If the electrical cover of the indoor unit and/or the service panel of the outdoor unit are not attached securely, dust, water, etc. could collect in the unit and could cause a fire or an electric shock.
- **When installing or relocating the unit, make sure that no substance other than the specified refrigerant (R410A) enters the refrigerant circuit.**
Any foreign substances in the refrigerant circuit can cause abnormal pressure rise or an explosion.
- **Do not discharge the refrigerant into the atmosphere. Check that the refrigerant gas does not leak after installation has been completed. If refrigerant leaks during installation, ventilate the room.**
If refrigerant comes in contact with a fire, harmful gas could be generated. If refrigerant gas leaks indoors, and comes into contact with the flame of a fan heater, space heater, stove, etc., harmful gases will be generated.
- **Use appropriate tools and piping materials for installation.**
The pressure of R410A is 1.6 times higher than R22. Not using the appropriate tools and materials, or improper installation could cause the pipes to burst causing an injury.
- **When pumping down the refrigerant, stop the compressor before disconnecting the refrigerant pipes.**
If the refrigerant pipes are disconnected while the compressor is running and the stop valve is open, air could be drawn in and the pressure in the refrigeration cycle could become abnormally high, causing the pipes to burst.
- **When installing the unit, securely connect the refrigerant pipes before starting the compressor.**
If the compressor is started before the refrigerant pipes are connected and the stop valve is open, air could be drawn in and the pressure in the refrigeration cycle could become abnormally high, causing the pipes to burst.
- **Fasten a flare nut with a torque wrench as specified in this manual.**
If fastened too tight, a flare nut could break and cause refrigerant leakage.
- **Install the unit according to national wiring regulations.**

⚠ Caution:

- **Depending on the installation area, install a Ground Fault Interrupt (GFI) circuit breaker.**
If the Ground Fault Interrupt (GFI) circuit breaker is not installed, an electric shock could occur.
- **Perform the drainage/piping work securely according to the installation manual.**
If there is defect in the drainage/piping work, water could drip from the unit, and damage household items.

- **Do not touch the air inlet or the aluminum fins of the outdoor unit.**
This could cause injury.
- **Do not install the outdoor unit where small animals may live.**
If small animals enter the unit and damage its electrical parts, it could cause a malfunction, smoke emission, or fire. Keep the area around the unit clean.

2. Selecting the installation location

2.1. Outdoor unit

- Where it is not overly exposed to strong winds.
- Where airflow is good and dustless.
- Where neighbors are not annoyed by operation sound or hot air.
- Where rigid wall or support is available to prevent the increase of operation sound or vibration.
- Where there is no risk of combustible gas leakage.
- If installing the unit in a location high above the ground, be sure to secure the unit legs.
- Where it is at least 10 ft. (3 m) away from the antenna of TV set or radio. Operation of the air conditioner may interfere with radio or TV reception in areas where reception is weak. An amplifier may be required for the affected device.
- Install the unit horizontally.
- Please install it in an area not affected by snowfall or blowing snow. In areas with heavy snow, please install a canopy, a pedestal and/or baffle boards.

Note:

- It is advisable to make a piping loop near outdoor unit so as to reduce vibration.
- For increased efficiency, install the outdoor unit in a location where continuous direct sunlight or excessive water can be avoided as much as possible.

⚠ Caution:

When operating the air conditioner in low outside temperature, be sure to follow the instructions described below.

- Never install the outdoor unit in a place where its air inlet/outlet side may be exposed directly to wind.
- To prevent exposure to wind, install the outdoor unit with its air inlet side facing the wall and a baffle board on the air outlet side.

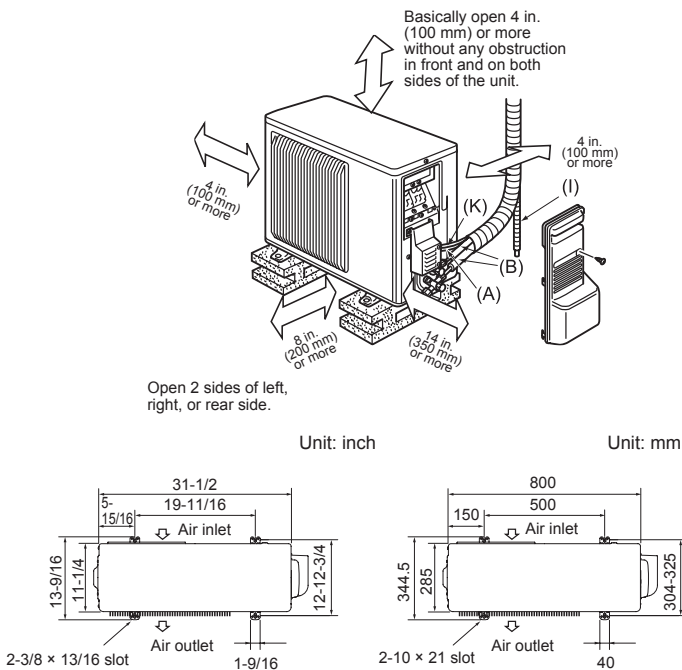
Avoid the following places for installation where air conditioner trouble is liable to occur.

- Where flammable gas could leak
- Where there is an excessive amount of machine oil in the air.
- Salty places such as the seaside.
- Where sulfide gas is generated such as a hot spring.
- Where there is high-frequency or wireless equipment.

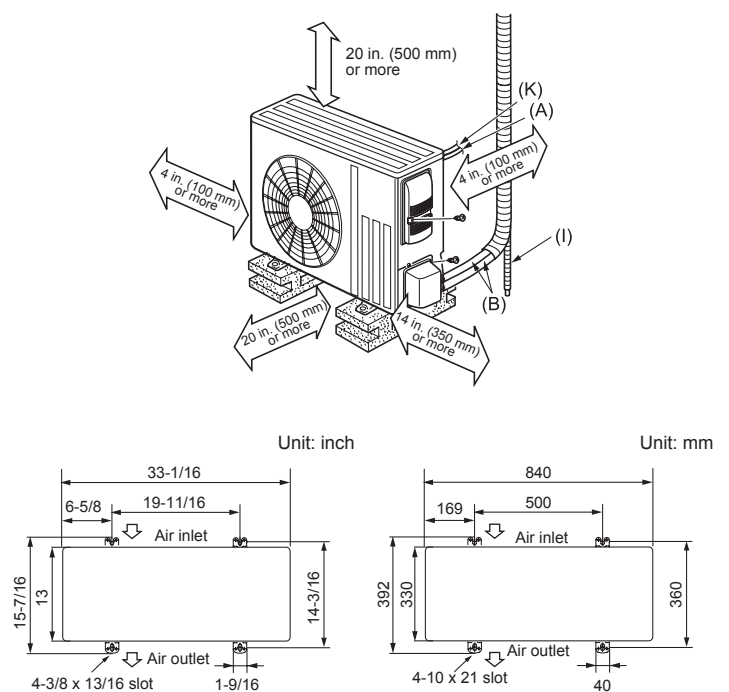
The outdoor unit produces condensate during the heating operation. Select the installation place to ensure to prevent the outdoor unit and/or the grounds from being wet by drain water or damaged by frozen drain water.

3. Installation diagram

SUZ-KA09, KA12, KA15NA



SUZ-KA18NA



When the piping is to be attached to a wall containing metals (tin plated) or metal netting, use a chemically treated wooden piece 25/32 in. (20 mm) or thicker between the wall and the piping or wrap 7 to 8 turns of insulation vinyl tape around the piping.

Units should be installed by licensed contractor accordingly to local code requirement.

Note:

When operating the air conditioner in low outside temperature, be sure to follow the instructions described below.

- Never install the outdoor unit in a place where its air inlet/outlet side may be exposed directly to wind.
- To prevent exposure to wind, install the outdoor unit with its air inlet side facing the wall.
- To prevent exposure to wind, it is recommended to install a baffle board on the air outlet side of the outdoor unit.

Drain piping for outdoor unit

Install the unit horizontally.

Do not use drain socket in cold regions. Drain may freeze and make the fan stop.

The outdoor unit produces condensate during the heating operation. Select the installation place to ensure to prevent the outdoor unit and/or the grounds from being wet by drain water or damaged by frozen drain water.

4. Refrigerant piping work

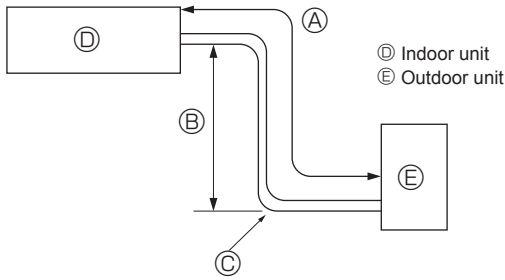


Fig. 4-1

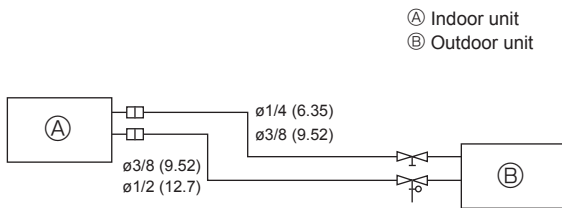


Fig. 4-2

4.1. Refrigerant pipe (Fig. 4-1, Fig. 4-2)

► Check that the difference between the heights of the indoor and outdoor units, the length of refrigerant pipe, and the number of bends in the pipe are within the limits shown below.

Models	Ⓐ Pipe length (one way)	Ⓑ Height difference	Ⓒ Number of bends (one way)
SUZ-KA09, KA12, KA15	Max. 65 ft (20 m)	Max. 40 ft (12 m)	Max. 10
SUZ-KA18	Max. 100 ft (30 m)	Max. 50 ft (15 m)	Max. 10

- Height difference limitations are binding regardless of which unit, indoor or outdoor, is positioned higher.
- Refrigerant adjustment ... If pipe length exceeds 25 ft. (7.5 m), additional refrigerant (R410A) charge is required.
(The outdoor unit is charged with refrigerant for pipe length up to 25 ft. (7.5 m).)

Pipe length	Up to 25 ft (7.5 m)	No additional charge is required.
	Exceeding 25 ft (7.5 m)	Additional charge is required. (Refer to the table below.)
Refrigerant to be added	SUZ-KA09, KA12, KA15	1.62 oz each 5 ft. (30 g/m)
	SUZ-KA18	1.08 oz each 5 ft. (20 g/m)

- Table below shows the specifications of pipes commercially available.

Model	Pipe	Outside diameter	Min. wall thickness	Insulation thickness	Insulation material
		inch (mm)	inch (mm)	inch (mm)	
SUZ-KA09	For liquid	1/4 (6.35)	0.0315 (0.8)	5/16 (8)	Heat resisting foam plastic 0.045 specific gravity
	For gas	3/8 (9.52)	0.0315 (0.8)	5/16 (8)	
SUZ-KA12	For liquid	1/4 (6.35)	0.0315 (0.8)	5/16 (8)	
	For gas	3/8 (9.52)	0.0315 (0.8)	5/16 (8)	
SUZ-KA15	For liquid	1/4 (6.35)	0.0315 (0.8)	5/16 (8)	
	For gas	1/2 (12.7)	0.0315 (0.8)	5/16 (8)	
SUZ-KA18	For liquid	1/4 (6.35)	0.0315 (0.8)	5/16 (8)	
	For gas	1/2 (12.7)	0.0315 (0.8)	5/16 (8)	

- To prevent condensation, insulate the 2 refrigerant pipes.
- Refrigerant pipe bending radius must be 4 in. (100 mm) or more

⚠ Caution:

Be sure to use the insulation of specified thickness (table on the above). Excessive insulation may cause incorrect installation of the indoor unit, and too little insulation may cause condensate to form.

- The unit has flared connections on both indoor and outdoor sides.
- Remove the valve cover from the outdoor unit, then connect the pipe.
- Refrigerant pipes are used to connect the indoor and outdoor units.
- Be careful not to crush or over bend the pipe in pipe bending.

4.2. Flaring work (Fig. 4-3)

- 1) Cut the copper pipe as straight as possible with a pipe cutter.
- 2) Remove all burrs from the cut section of pipe, ensuring that precautions are taken to avoid getting metal shavings into the piping.
- 3) Remove flare nuts attached to indoor and outdoor units, then put them on pipe.
- 4) Flaring work. Firmly hold copper pipe in the dimension shown in the table. Select A inch (mm) from the table according to the tool you use.
- 5) Check
 - Compare the flared work.
 - If flare is defective, cut off the section and repeat procedure.

Pipe diameter inch (mm)	Nut inch (mm)	A inch (mm)			Tightening torque	
		Clutch type tool for R410A	Clutch type tool for R22	Wing nut type tool for R22	N·m	ft·lb (kgf·cm)
1/4 (6.35)	1/4 (17)	0 to 0.02 (0 to 0.5)	0.04 to 0.06 (1.0 to 1.5)	0.06 to 0.08 (1.5 to 2.0)	13.7 to 17.7	10 to 13 (140 to 180)
3/8 (9.52)	3/8 (22)			0.08 to 0.10 (2.0 to 2.5)	34.3 to 41.2	25 to 30 (350 to 420)
1/2 (12.7)	1/2 (26)			49.0 to 56.4	36 to 42 (500 to 575)	
5/8 (15.88)	5/8 (29)			73.5 to 78.4	54 to 58 (750 to 800)	

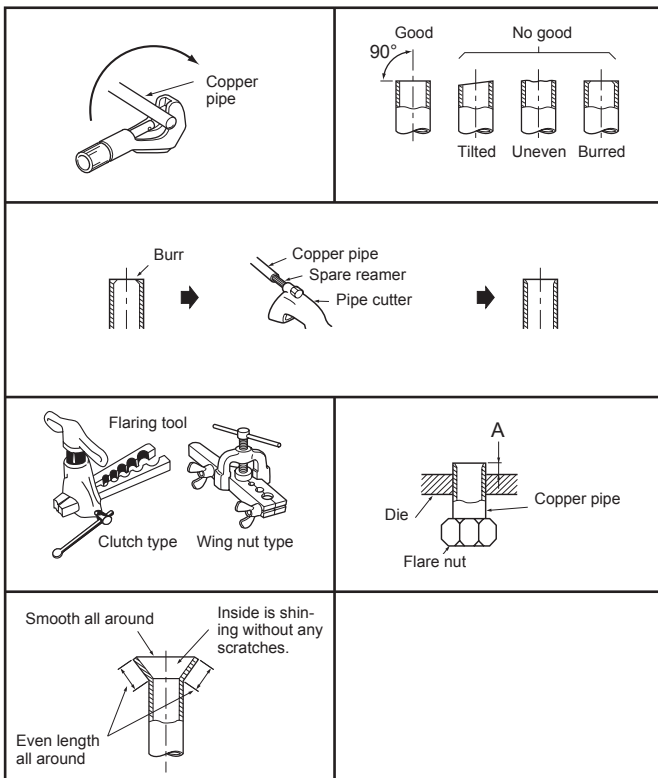


Fig. 4-3

4. Refrigerant piping work

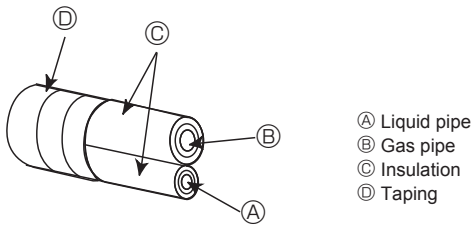


Fig. 4-4

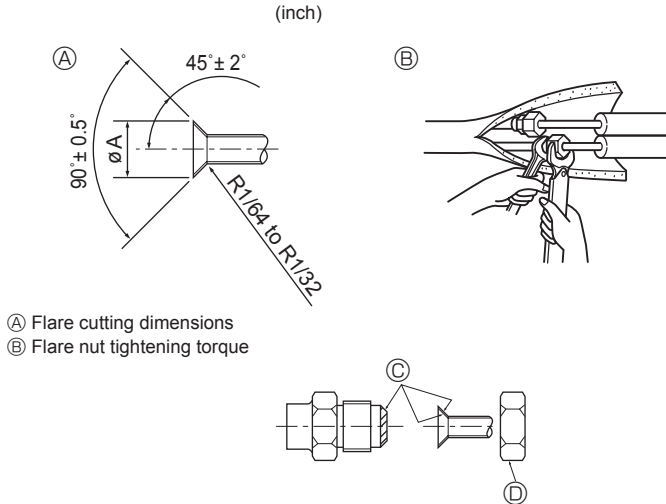


Fig. 4-5

4.3. Connecting pipes (Fig. 4-4, Fig. 4-5)

- Fasten flare nut with a torque wrench as specified in the table (refer to 4.2.).
- When fastened too tight, flare nut may eventually break and cause refrigerant leakage.

[Fig. 4-5]

- Apply thin layer of refrigerant oil to pipe and joint seating surface before tightening flare nut. (A)
- Use 2 wrenches to tighten piping connections. (B)
- Use leak detector or soapy water to check for gas leaks after connections are completed.
- Apply refrigerant oil over the entire flare seat surface. (C)
- Use the flare nuts for the following pipe size. (D)

		KA09, KA12	KA15, KA18
Gas side	Pipe size inch (mm)	3/8 (9.52)	1/2 (12.7)
Liquid side	Pipe size inch (mm)	1/4 (6.35)	1/4 (6.35)

*1: The flare nut is attached to its pipe.

*2: The flare nut is in the outdoor unit accessory.

Do not use the flare nuts other than the attachment. If it is used, a gas leakage or even a pipe extraction may occur.

- Refrigerant pipe bending radius must be 4 in. (100 mm) or more.
- Make sure the pipes do not contact the compressor. Abnormal noise or vibration may result.

① Pipes must be connected starting from the indoor unit.

Flare nuts must be tightened with a torque wrench.

② Flare the liquid pipes and gas pipes and apply a thin layer of refrigerant oil (Applied on site).

⚠ Warning:

Be careful of flying flare nut. (Internally pressurized)

Remove the flare nuts as follows:

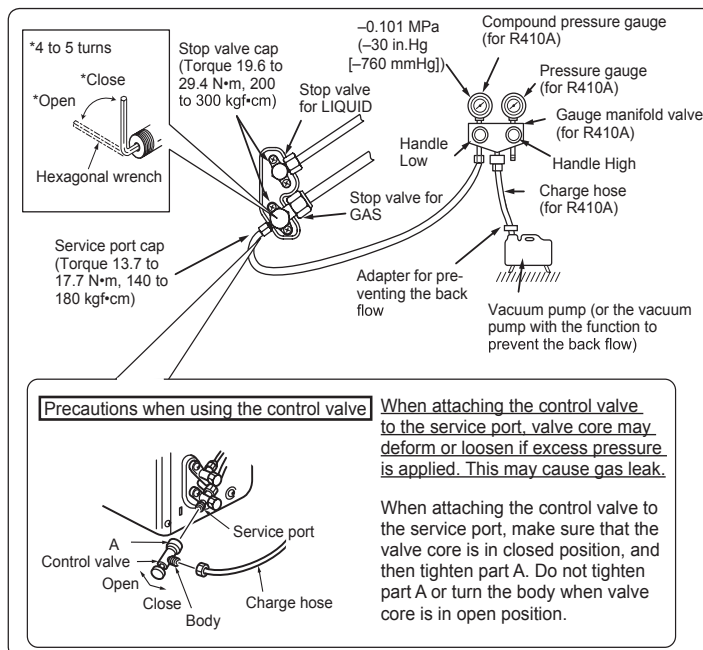
1. Loosen the nut until you hear a hissing noise.
2. Do not remove the nut until the gas has been completely released (i.e., hissing noise stops)
3. Check that the gas has been completely released, and then remove the nut.

(A) (Fig. 4-5)

Pipe diameter		Flare dimensions øA dimensions	
inch	(mm)	inch	(mm)
1/4"	(6.35)	11/32 - 23/64	(8.7 - 9.1)
3/8"	(9.52)	1/2 - 33/64	(12.8 - 13.2)
1/2"	(12.7)	41/64 - 21/32	(16.2 - 16.6)
5/8"	(15.88)	49/64 - 25/32	(19.3 - 19.7)

4.4. Purging procedures and leak test

- 1) Remove service port cap of stop valve on the side of the outdoor unit gas pipe.
- 2) Connect gauge manifold valve and vacuum pump to service port of stop valve on the gas pipe side of the outdoor unit.

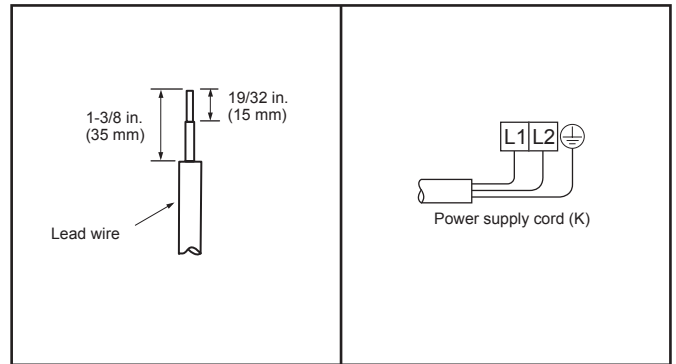


- 3) Run the vacuum pump 15 minutes or more.
- 4) Check the vacuum with the gauge manifold valve, then close it and shut off the vacuum pump.
- 5) Leave as it is for one or two minutes. Make sure pointer gauge manifold valve remains in the same position. Confirm that pressure gauge shows -0.101 MPa [Gauge] (-30 in.Hg [-760 mmHg]).
- 6) Quickly remove gauge manifold valve from service port of stop valve.
- 7) After refrigerant pipes are connected and evacuated, fully open all stop valves on both sides of gas pipe and liquid pipe. Operating the unit without fully opening the valves lowers the performance and causes problems.
- 8) Refer to 4.1. Refrigerant pipe, and charge the prescribed amount of refrigerant if needed. Be sure to charge slowly with liquid refrigerant. Otherwise, composition of the refrigerant in the system may be changed and affect performance of the air conditioner.
- 9) Tighten cap of service port.
- 10) Conduct a leak test

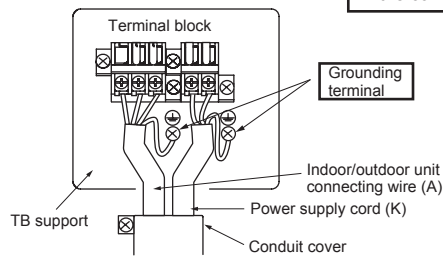
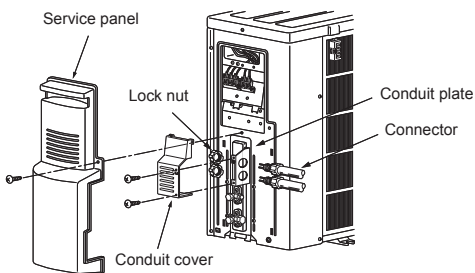
5. Electrical work

5.1. Connecting wires for outdoor unit

- 1) Remove the service panel.
- 2) Remove the conduit cover.
- 3) Attach the conduit connector to conduit plate with lock nut then secure it against unit with screws.
- 4) Connect ground wires of indoor/outdoor unit connecting wire (A) and power supply cord (K) to the TB support.
- 5) Loosen the terminal screw, and attach indoor/outdoor unit connecting wire (A) from the indoor unit correctly on the terminal block. Attach the wire to the terminal block securely so that its core cannot be seen, and no external force affects the connecting section of the terminal block.
- 6) Firmly tighten the terminal screws. After tightening, verify that the wires are tightly fastened.
- 7) Connect power supply cord (K).
- 8) Install the conduit cover.
- 9) Install the service panel securely.

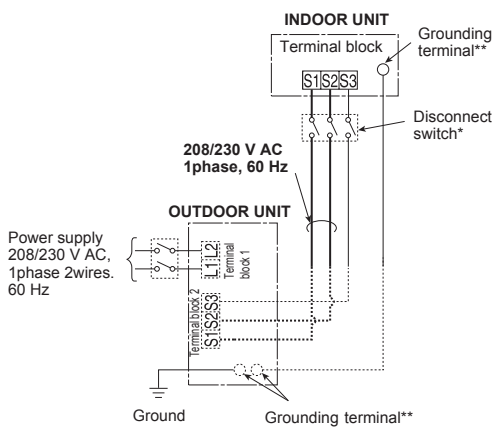
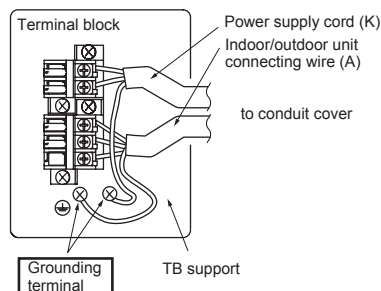
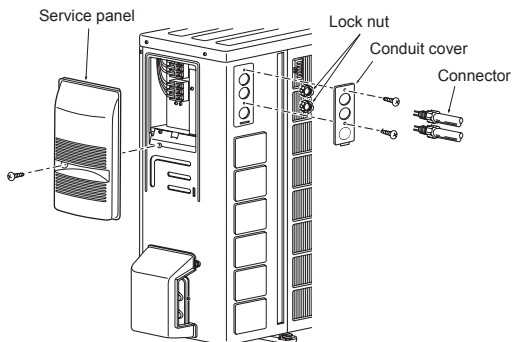


SUZ-KA09, KA12, KA15NA



- Make earth wire a little longer than others. (More than 2-3/8 in. [60 mm])
- For future servicing, leave some slack in the connecting wires.

SUZ-KA18NA



Remark:

- * A disconnect switch is required.
- Check the local code.
- ** Use a ring tongue terminal in order to connect a ground wire to terminal.

- Connect the cable from the indoor unit correctly on the terminal-block.
- Use the same terminal block and polarity as is used with the indoor unit.
- For aftercare maintenance, give extra length to connecting cable.

- Both ends of connecting cable (extension wire) are peeled off. When too long, or connected by cutting off the middle, peel off power supply cable to the size given in the figure.
- Be careful not to contact connecting cable with piping.

⚠ Caution:

- Use care not to make miswiring.
- Firmly tighten the terminal screws to prevent them from loosening.
- After tightening, pull the wires lightly to confirm that they do not move.

⚠ Warning:

- Be sure to attach the service panel of the indoor unit securely. If it is not attached correctly, it could result in a fire or an electric shock due to dust, water, etc.
- Tighten terminal screws securely.
- Wiring should be done so that the power lines are not subject to tension. Otherwise, heat may be generated or fire may occur.

5. Electrical work

5.2. Field electrical wiring

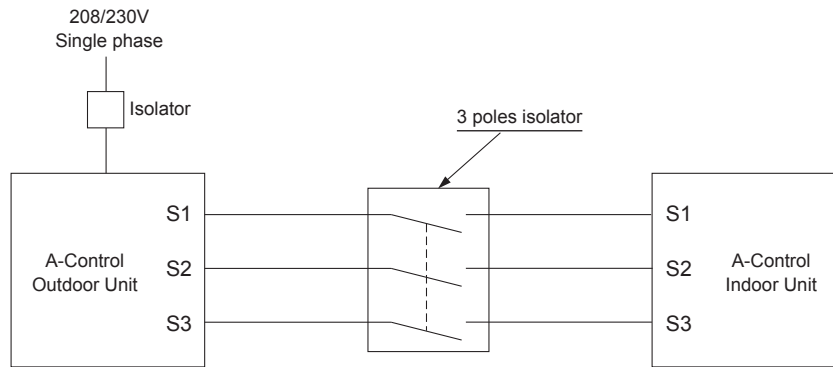
Outdoor unit model		SUZ-KA09, KA12, KA15NA	SUZ-KA18NA
Power supply		~N (single), 60 Hz 208/230 V	~N (single), 60 Hz 208/230 V
Max. Fuse size (time delay)		*1 15 A	15 A
Min. Circuit Ampacity		12 A	14 A
Wiring Wire No. x size	Outdoor unit power supply	2 x Min. AWG 14	2 x Min. AWG 14
	Outdoor unit power supply earth	1 x Min. AWG 14	1 x Min. AWG 14
	Indoor unit-Outdoor unit	3 x AWG 14 (Polar)	3 x AWG 14 (Polar)
	Indoor unit-Outdoor unit ground	1 x Min. AWG 16	1 x Min. AWG 16
Circuit rating	Outdoor unit L1-L2	*2 AC 208/230 V	AC 208/230 V
	Indoor unit-Outdoor unit S1-S2	*2 AC 208/230 V	AC 208/230 V
	Indoor unit-Outdoor unit S2-S3	*2 DC 12 V - 24 V (Polar)	DC 12 V - 24 V (Polar)

*1. Use ground leakage breaker (NV).

*2. The figures are NOT always against the ground.

S3 terminal has DC24 V against S2 terminal. However between S3 and S1, these terminals are NOT electrically insulated by the transformer or other device.

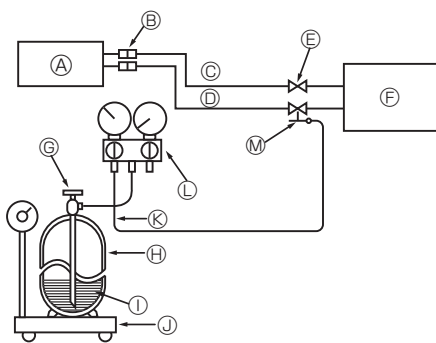
- Notes:**
1. Wiring size must comply with the applicable local and national code.
 2. Use copper supply wires.
 3. Use wires rated 600V or more for the power supply cables and the indoor/outdoor unit connecting cables.
 4. Install an earth longer than other cables.



⚠ Warning:

In case of A-control wiring, there is high voltage potential on the S3 terminal caused by electrical circuit design that has no electrical insulation between power line and communication signal line. Therefore, please turn off the main power supply when servicing. And do not touch the S1, S2, S3 terminals when the power is energized. If isolator should be used between indoor unit and outdoor unit, please use 3-pole type.

6. Maintenance



- | | |
|--|--|
| (A) Indoor unit | (H) Refrigerant gas cylinder for R410A with siphon |
| (B) Union | (I) Refrigerant (liquid) |
| (C) Liquid pipe | (J) Electronic scale for refrigerant charging |
| (D) Gas pipe | (K) Charge hose (for R410A) |
| (E) Stop valve | (L) Gauge manifold valve (for R410A) |
| (F) Outdoor unit | (M) Service port |
| (G) Refrigerant gas cylinder operating valve | |

Fig. 6-1

6.1. Gas charge (Fig. 6-1)

1. Connect gas cylinder to the service port of stop valve (3-way).
2. Execute air purge of the pipe (or hose) coming from refrigerant gas cylinder.
3. Replenish specified amount of refrigerant, while running the air conditioner for cooling.

Note:

In case of adding refrigerant, comply with the quantity specified for the refrigerating cycle.

⚠ Caution:

- Do not discharge the refrigerant into the atmosphere. Take care not to discharge refrigerant into the atmosphere during installation, reinstallation, or repairs to the refrigerant circuit.
- For additional charging, charge the refrigerant from liquid phase of the gas cylinder. If the refrigerant is charged from the gas phase, composition change may occur in the refrigerant inside the cylinder and the outdoor unit. In this case, ability of the refrigerating cycle decreases or normal operation can be impossible. However, charging the liquid refrigerant all at once may cause the compressor to be locked. Thus, charge the refrigerant slowly.

To maintain the high pressure of the gas cylinder, warm the gas cylinder with warm water (under 104 °F, 40 °C) during cold season. But never use naked fire or steam.

1. Les mesures de sécurité suivantes doivent toujours être observées	8	4. Mise en place des tuyaux de réfrigérant	10
2. Choisir l'emplacement de l'installation	9	5. Installations électriques	12
3. Schéma d'installation	9	6. Entretien	13

1. Les mesures de sécurité suivantes doivent toujours être observées

- Veuillez prévoir un circuit réservé au climatiseur et ne pas brancher d'autres appareils électriques sur ce circuit.
- Veuillez lire en entier "Les mesures de sécurité suivantes doivent toujours être respectées" avant d'installer le climatiseur.
- Comme ces mesures sont très importantes pour votre sécurité, veuillez les respecter.
- Les symboles signifient:

⚠ Avertissement:

Pouvant entraîner des blessures graves, voire la mort.

⚠ Attention:

Pouvant entraîner des blessures graves si l'unité n'est pas utilisée correctement.

- Lorsque vous aurez lu le manuel en entier, veuillez le garder dans un endroit pratique, chez le client, avec le manuel d'utilisation.

⚡ : Indique un élément qui doit être mis à la terre.

⚠ Avertissement:

Prendre soin de lire les étiquettes se trouvant sur l'appareil principal.

⚠ Avertissement:

■ N'installez pas l'unité vous-même (utilisateur).

Une installation incorrecte ou incomplète peut être à l'origine d'un incendie, d'un choc électrique ou de blessures à la suite de la chute de l'unité ou de fuites d'eau. Contactez un technicien qualifié ou le revendeur à qui vous avez acheté l'unité.

■ Suivez les instructions détaillées dans le manuel d'installation.

Une installation incomplète peut être à l'origine d'un incendie, d'un choc électrique ou de blessures à la suite de la chute de l'unité ou de fuites d'eau.

■ Installez solidement l'unité dans un endroit capable de supporter son poids.

Si l'emplacement d'installation ne peut pas supporter le poids de l'unité, celle-ci risque de tomber et de provoquer des blessures.

■ Exécutez les travaux électriques selon le manuel d'installation et veillez à utiliser un circuit unique. Ne branchez pas d'autres appareils électriques au circuit.

Un circuit électrique d'une capacité insuffisante ou des travaux électriques incomplets peuvent être à l'origine d'un incendie ou d'un choc électrique.

■ Raccordez correctement l'unité à la terre.

Ne branchez pas le fil de terre à un tuyau de gaz ou d'eau, à un paratonnerre ou à la ligne de terre téléphonique. Une mise à la terre défectueuse peut entraîner un choc électrique.

■ Veillez à ne pas endommager les câbles.

Des câbles endommagés peuvent provoquer un incendie.

■ Veillez à toujours couper l'alimentation principale lors de la configuration de la carte à circuits imprimés interne ou du câblage.

Le non-respect de cette recommandation peut entraîner un choc électrique.

■ Utilisez les câbles spécifiés pour raccorder en toute sécurité les unités interne et externe. Fixez les câbles solidement pour éviter toute pression sur le bloc de raccordement.

Un raccordement incorrect peut provoquer un incendie.

■ N'installez pas l'unité dans un endroit exposé à des fuites de gaz inflammable.

La fuite ou l'accumulation de gaz autour de l'unité peut entraîner une explosion.

■ N'utilisez pas de raccord intermédiaire ou de rallonge pour brancher le cordon d'alimentation. Ne branchez pas plusieurs appareils à une prise secteur.

Cela peut provoquer un incendie ou un choc électrique.

■ Utilisez les pièces fournies ou spécifiées lors des travaux d'installation.

L'utilisation de pièces défectueuses peut être à l'origine de blessures ou de fuites d'eau dues à un incendie, un choc électrique, la chute de l'unité, etc.

■ Fixez correctement le couvercle du boîtier électrique de l'unité interne et le panneau de service de l'unité externe.

Si le couvercle du boîtier électrique de l'unité interne et/ou le panneau de service de l'unité externe sont mal fixés, ils risquent de provoquer un incendie ou un choc électrique en raison de la poussière, de l'eau, etc. présentes dans le circuit.

■ Lors de l'installation ou du déplacement de l'unité, veillez à ce qu'aucune autre substance que le réfrigérant spécifié (R410A) ne pénètre dans le circuit de réfrigération.

La présence d'une substance étrangère dans le circuit de réfrigération peut provoquer une augmentation anormale de la pression, voire une explosion.

■ Ne libérez pas le réfrigérant dans l'atmosphère. Vérifiez l'absence de fuites de gaz réfrigérant une fois l'installation terminée. En cas de fuite de réfrigérant pendant l'installation, aérez la pièce.

Si le réfrigérant entre en contact avec un feu, des substances toxiques peuvent se dégager. Si le réfrigérant entre en contact avec la flamme d'un appareil de chauffage à ventilation, chauffage d'appoint, poêle, etc., des substances toxiques peuvent se dégager.

■ Utilisez les outils et l'équipement de tuyauterie adaptés à l'installation.

La pression du réfrigérant R410A est 1,6 fois supérieure à celle du R22. L'utilisation d'outils et d'équipements non adaptés ou une installation incomplète peut provoquer l'éclatement des tuyaux et blesser quelqu'un.

■ Pendant l'opération d'aspiration du réfrigérant, arrêtez le compresseur avant de débrancher les tuyaux de réfrigérant.

Si les tuyaux de réfrigérant sont débranchés alors que le compresseur fonctionne et si le robinet d'arrêt est ouvert, de l'air pourrait être aspiré et la pression du cycle de réfrigération pourrait augmenter de façon anormale, entraînant l'explosion des tuyaux.

■ Pendant l'installation de l'unité, branchez correctement les tuyaux de réfrigérant avant de lancer le compresseur.

Si le compresseur démarre avant le branchement des tuyaux de réfrigérant et si le robinet d'arrêt est ouvert, de l'air pourrait être aspiré et la pression du cycle de réfrigération pourrait augmenter de façon anormale, entraînant l'explosion des tuyaux.

■ Fixez un écrou évasé avec une clé dynamométrique comme spécifié dans ce manuel.

S'il est trop serré, il risque de se rompre et de provoquer une fuite de réfrigérant.

■ Installez l'unité conformément aux normes électriques nationales.

⚠ Attention:

■ Installez un disjoncteur de fuites à la terre selon l'endroit d'installation.

Si le disjoncteur de fuites à la terre n'est pas installé, un choc électrique peut se produire.

■ Réalisez les travaux de vidange/tuyauterie conformément au manuel d'installation.

Si les travaux de vidange/tuyauterie ne sont pas réalisés correctement, de l'eau pourrait s'écouler de l'unité et endommager le mobilier.

■ Ne touchez ni l'entrée d'air ni les ailettes en aluminium de l'unité externe.

Cela peut provoquer des blessures.

■ N'installez pas l'unité externe à proximité de l'habitat de petits animaux.

Si des petits animaux entrent dans l'unité et endommagent ses composants électriques, ils peuvent provoquer un dysfonctionnement, des émissions de fumée ou un incendie. Nettoyez régulièrement la périphérie de l'unité.

2. Choisir l'emplacement de l'installation

2.1. Appareil extérieur

- Emplacement à l'abri de vents violents.
- Emplacement favorisant une bonne circulation d'air sans poussière.
- Emplacement ne générant pas de nuisance pour les voisins (bruit de fonctionnement ou air chaud).
- Emplacement sur un mur ou un support rigide pour éviter l'augmentation du bruit de fonctionnement ou des vibrations.
- Emplacement qui ne risque pas d'être exposé à des fuites de gaz combustible.
- Lorsque l'unité est placée en hauteur, les pieds doivent être fixés.
- Emplacement à une distance de 10 ft. (3 m) minimum de l'antenne TV ou radio. Le fonctionnement du climatiseur peut interférer avec la réception TV ou radio dans des zones où la réception est faible. Il peut s'avérer nécessaire de brancher un amplificateur sur l'appareil concerné.
- Installez l'unité horizontalement.
- Installez l'unité dans un endroit à l'abri du vent et de la neige. Dans les zones soumises à de fortes chutes de neige, installez un abri, un socle et/ou des écrans de protection.

Remarque:

- Il est conseillé de faire une boucle avec le tuyau à proximité de l'unité externe pour réduire les vibrations.
- Pour une meilleure efficacité, installez l'unité externe dans un endroit à l'abri des rayons directs du soleil et des chutes excessives d'eau.

⚠ Attention:

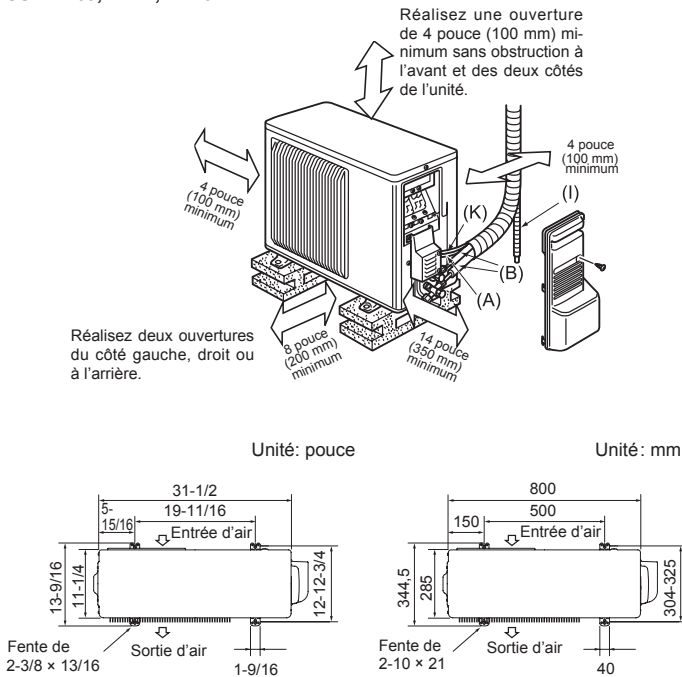
Si vous utilisez le climatiseur alors que la température extérieure est basse, veillez à observer les instructions ci-dessous.

- N'installez jamais l'unité externe dans un endroit où le côté présentant l'entrée/la sortie d'air risque d'être directement exposé au vent.
 - Pour protéger l'unité externe du vent, installez-la de façon à ce que l'entrée d'air soit face au mur et placez un écran de protection du côté de la sortie.
- Pour éviter tout dysfonctionnement, ne placez pas le climatiseur dans les endroits suivants.
- En présence de fuites de gaz inflammable.
 - En présence d'une quantité excessive d'huile de machine dans l'air.
 - En présence d'air salé (bord de mer).
 - En présence de gaz sulfurique (source thermique).
 - En présence d'équipements haute fréquence ou sans fil.

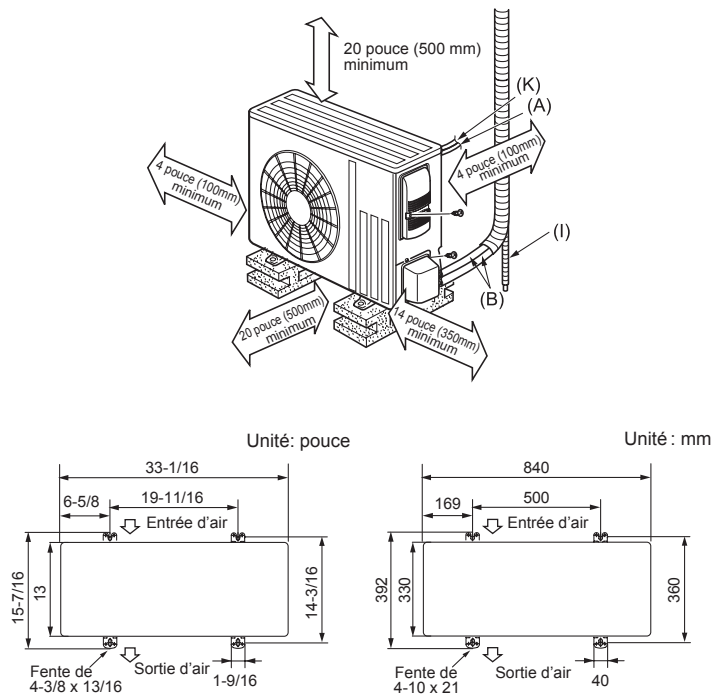
L'unité extérieure produit de la condensation lors du mode de chauffage. Choisir l'endroit où le climatiseur sera monté de façon à éviter à l'unité extérieure et/ou aux sols d'être mouillés par les condensats ou endommagés par le gel des condensats.

3. Schéma d'installation

SUZ-KA09, KA12, KA15NA



SUZ-KA18NA



Lorsque les tuyaux seront attachés à un mur contenant des métaux (fer-blanc) ou du grillage en métal, utiliser un morceau de bois traité chimiquement de 25/32 pouce (20 mm) ou plus entre le mur et les tuyaux ou envelopper les tuyaux de 7 ou 8 couches d'isolant en vinyle.

Les appareils doivent être installés par un technicien qualifié suivant les réglementations locales en vigueur.

Remarque:

Si vous utilisez le climatiseur alors que la température extérieure est basse, veillez à observer les instructions décrites ci-dessous.

- N'installez jamais l'appareil extérieur dans un endroit où le côté présentant l'entrée/sortie d'air risque d'être directement exposé au vent.
- Pour protéger l'appareil extérieur du vent, installez-le de façon à ce que l'entrée d'air soit face au mur.
- Pour éviter toute exposition au vent, il est recommandé d'installer un écran de protection du côté de la sortie d'air de l'appareil extérieur.

Tuyau de vidange pour unité externe

Installez l'unité horizontalement.

N'utilisez pas de prise de vidange dans des régions froides. Sinon, l'eau de vidange pourrait geler et provoquer l'arrêt du ventilateur.

L'unité externe produit de la condensation lors de la phase de chauffage. Choisissez l'emplacement d'installation de façon à veiller à ce que l'unité externe et/ou le sol ne deviennent pas humides en raison de condensats ou qu'ils ne soient pas endommagés par du condensat gelé.

4. Mise en place des tuyaux de réfrigérant

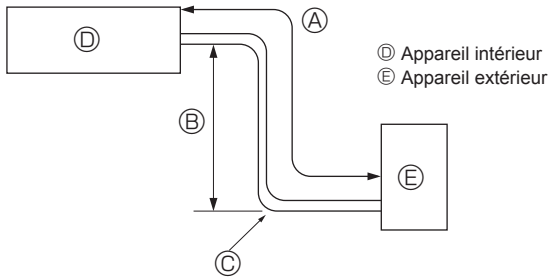


Fig. 4-1

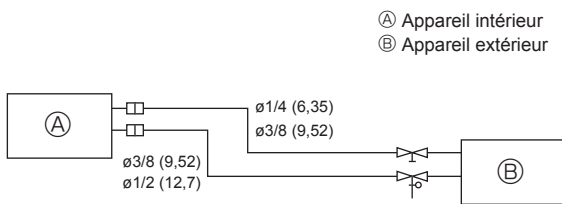


Fig. 4-2

4.1. Tuyaux de réfrigérant (Fig. 4-1, Fig. 4-2)

► Vérifier que la différence de hauteur entre les appareils intérieur et extérieur, la longueur du tuyau de réfrigérant et le nombre de coudes permis dans le tuyau se situent au sein des limites reprises dans le tableau ci-dessous.

Modèles	Ⓐ Longueur du tuyau (un sens)	Ⓑ Différence de hauteur	Ⓒ Nombre de coudes (un sens)
SUZ-KA09, KA12, KA15	max. 65 ft (20 m)	max. 40 ft (12 m)	max. of 10
SUZ-KA18	max. 100 ft (30 m)	max. 50 ft (15 m)	max. of 10

- Les spécifications concernant la différence d'élévation s'appliquent à toutes dispositions des appareils intérieurs et extérieurs, sans tenir compte de celui qui est le plus élevé.
- Équilibrage au réfrigérant ... Si la longueur de la tuyauterie dépasse 25 ft (7,5 m), un supplément de réfrigérant (R410A) doit être rajouté. (L'appareil extérieur est chargé d'une quantité de réfrigérant suffisante pour une tuyauterie allant jusqu'à 25 ft (7,5 m).)

Longueur de tuyauterie	Jusqu'à 25 ft (7,5 m)	Aucun supplément de réfrigérant n'est exigé.
	Dépasse 25 ft (7,5 m)	Un supplément de réfrigérant à rajouter. (Consulter le tableau ci-dessous.)
Quantité de réfrigérant à rajouter	SUZ-KA09, KA12, KA15	1,62 oz par 5 ft. (30 g/m)
	SUZ-KA18	1,08 oz par 5 ft. (20 g/m)

- Le tableau ci-dessous montre les spécifications des tuyaux disponibles en commerce.

Modèle	Tuyau	Diamètre extérieur	Épaisseur min. du mur	Épaisseur de l'isolant	Matériau d'isolation
		pouce (mm)	pouce (mm)	pouce (mm)	
SUZ-KA09	à liquide	1/4 (6,35)	0,0315 (0,8)	5/16 (8)	Plastique expansé résistant à la chaleur d'une densité spécifique de 0,045
	à gaz	3/8 (9,52)	0,0315 (0,8)	5/16 (8)	
SUZ-KA12	à liquide	1/4 (6,35)	0,0315 (0,8)	5/16 (8)	
	à gaz	3/8 (9,52)	0,0315 (0,8)	5/16 (8)	
SUZ-KA15	à liquide	1/4 (6,35)	0,0315 (0,8)	5/16 (8)	
	à gaz	1/2 (12,7)	0,0315 (0,8)	5/16 (8)	
SUZ-KA18	à liquide	1/4 (6,35)	0,0315 (0,8)	5/16 (8)	
	à gaz	1/2 (12,7)	0,0315 (0,8)	5/16 (8)	

- Pour éviter la formation de condensation, isolez les deux conduites de réfrigérant.
- Le rayon de pliage de la conduite de réfrigérant doit être de 4 pouce (100 mm) minimum.

⚠ Attention:

Utilisez toujours un matériau d'isolation de l'épaisseur spécifiée (tableau à droite). Une isolation trop épaisse peut être à l'origine d'une installation incorrecte de l'unité interne ; une isolation trop fine peut provoquer la formation de condensation.

- L'unité comporte des raccords évasés sur les faces intérieure et extérieure.
- Retirez le couvercle de vanne de l'unité externe et raccordez le tuyau.
- Les conduites de réfrigérant servent à raccorder les unités interne et externe.
- Veillez à ne pas écraser ni plier de manière excessive le tuyau lors de sa mise en forme.

4.2. Evasement (Fig. 4-3)

- Coupez correctement le tuyau de cuivre avec un coupe-tuyaux.
- Ébarbez parfaitement la partie tronçonnée du tuyau en évitant d'introduire des éclats de métal dans la tuyauterie.
- Retirez les écrous évasés fixés sur les unités interne, puis posez-les sur le tuyau.
- Travaux d'évasement. Tenez fermement le tuyau de cuivre à la dimension indiquée dans le tableau. Sélectionnez A en pouce (mm) dans le tableau suivant l'outil que vous utilisez.
- Contrôle
 - Comparez les travaux d'évasement.
 - Si l'évasement n'est pas conforme, coupez la section et recommencez la procédure.

Diamètre du tuyau en pouce (mm)	Écrou en pouce (mm)	A en pouce (mm)			Couple de serrage	
		Outil à manivelle pour le modèle R410A	Outil à manivelle pour le modèle R22	Écrou à oreilles pour le modèle R22	N·m	ft·lb (kgf·cm)
1/4 (6,35)	1/4 (17)	0 à 0,02 (0 à 0,5)	0,04 à 0,06 (1,0 à 1,5)	0,06 à 0,08 (1,5 à 2,0)	13,7 à 17,7	10 à 13 (140 à 180)
3/8 (9,52)	3/8 (22)				34,3 à 41,2	25 à 30 (350 à 420)
1/2 (12,7)	1/2 (26)			0,08 à 0,10 (2,0 à 2,5)	49,0 à 56,4	36 à 42 (500 à 575)
5/8 (15,88)	5/8 (29)				73,5 à 78,4	54 à 58 (750 à 800)

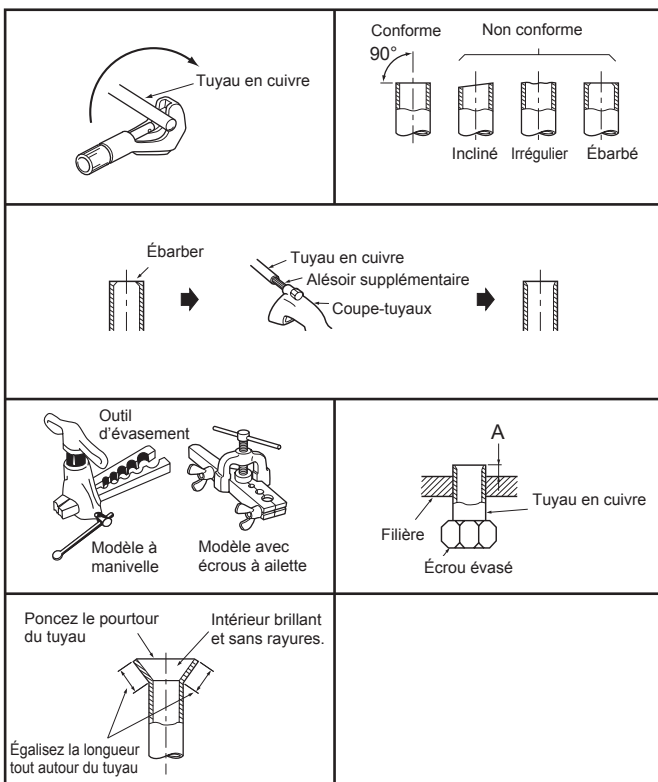


Fig. 4-3

4. Mise en place des tuyaux de réfrigérant

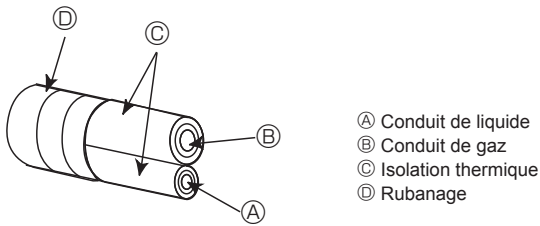


Fig. 4-4

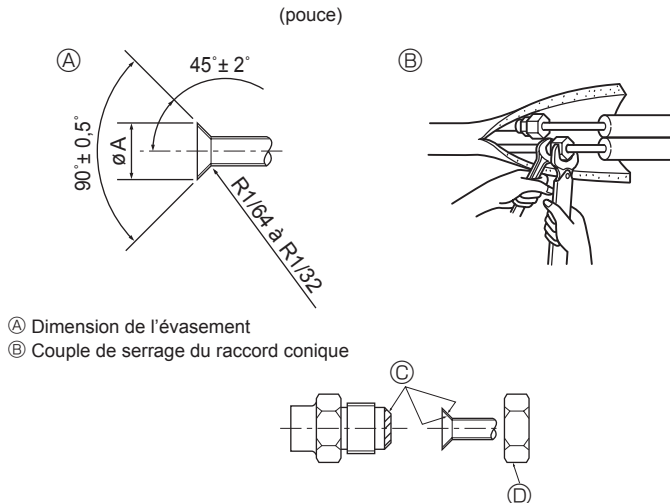


Fig. 4-5

4.3. Connexion des tuyaux (Fig. 4-4, Fig. 4-5)

- Serrez l'écrou évasé avec une clé dynamométrique comme spécifié dans le tableau (se reporter à la section 4-2).
- S'il est trop serré, il risque de se rompre et de provoquer une fuite de réfrigérant. [Fig. 4-5]
- Appliquez un fil mince d'huile réfrigérante sur la surface du tuyau et du support du joint avant de serrer l'écrou évasé. (A)
- Utilisez deux clés pour serrer les connexions des tuyaux. (B)
- Lorsque le raccord des tuyaux est terminé, utilisez un détecteur de fuite de gaz ou une solution savonneuse à base d'eau pour s'assurer qu'il n'y ait pas de fuite de gaz.
- Appliquez de l'huile réfrigérante sur toute la surface évasée du fond. (C)
- Utilisez les écrous évasés correspondant aux tailles de tuyaux suivantes. (D)

		KA09, KA12	KA15, KA18
Côté gaz	Diamètre du tuyau pouce (mm)	3/8 (9,52)	1/2 (12,7)
Côté liquide	Diamètre du tuyau pouce (mm)	1/4 (6,35)	1/4 (6,35)

*1: Le raccord conique est fixé à son tuyau.

*2: Le raccord conique se trouve dans l'accessoire pour appareil extérieur.

Ne pas utiliser les écrous évasés autres que la pièce jointe: cela pourrait provoquer une fuite de gaz, voire l'extraction du tuyau.

- Le rayon de pliage de la conduite de réfrigérant doit être de 4 pouce (100 mm) minimum.
- Vérifier que les tuyaux ne touchent pas le compresseur. Des vibrations ou des bruits anormaux pourraient se produire.

① Raccorder les tuyaux en commençant par l'appareil intérieur.

Serrer les écrous évasés à l'aide d'une clé dynamométrique.

② Evaser les conduits de liquide et de gaz, puis appliquer un fil mince d'huile réfrigérante (application sur site).

⚠ Avertissement:

Attention aux écrous évasés volants. (pressurisation interne)

Retirer l'écrou évasé en procédant comme suit:

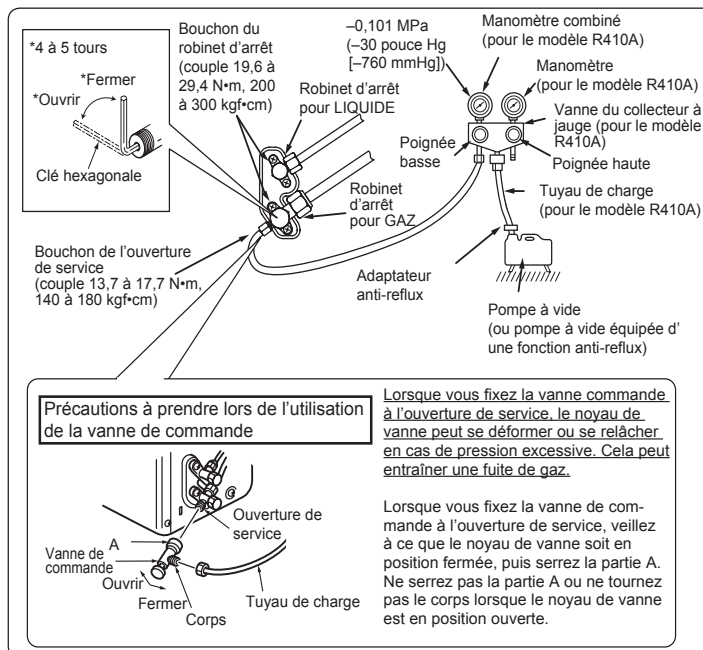
1. Desserrer l'écrou jusqu'à ce qu'un sifflement se fasse entendre.
2. Ne jamais retirer l'écrou tant que tout le gaz ne s'est pas échappé (c'est-à-dire lorsque le sifflement s'arrête).
3. Vérifier si tout le gaz s'est échappé avant de retirer l'écrou.

(A) (Fig. 4-5)

Diam. ext. Tuyau en cuivre		Dimensions évasement	
pouce	(mm)	pouce	(mm)
1/4"	(6,35)	11/32 - 23/64	(8,7 - 9,1)
3/8"	(9,52)	1/2 - 33/64	(12,8 - 13,2)
1/2"	(12,7)	41/64 - 21/32	(16,2 - 16,6)
5/8"	(15,88)	49/64 - 25/32	(19,3 - 19,7)

4.4. Procédures de purge et test de contrôle des fuites

- 1) Retirez le bouchon de l'ouverture de service du robinet d'arrêt du côté du tuyau de gaz de l'unité externe.
- 2) Raccordez la vanne du collecteur à jauge et la pompe à vide à l'ouverture de service du robinet d'arrêt du côté du tuyau de gaz de l'unité externe.

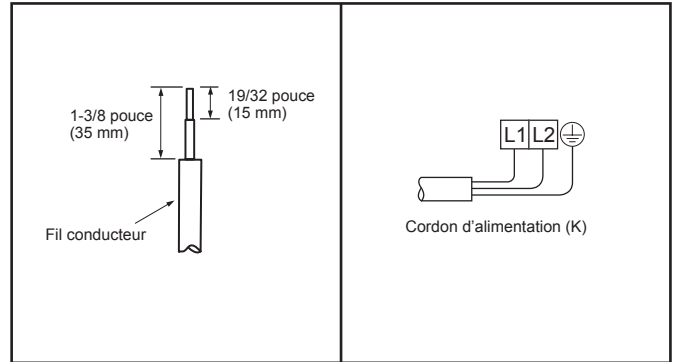


- 3) Faites fonctionner la pompe à vide pendant 15 minutes minimum.
- 4) Contrôlez la dépression ainsi obtenue avec la vanne du collecteur à jauge, puis fermez la vanne et arrêtez la pompe à vide.
- 5) Patientez pendant une minute ou deux. Assurez-vous que l'aiguille de la vanne du collecteur à jauge reste dans la même position. Vérifiez que le manomètre indique une pression de -0,101 MPa [Jauge] (-30 pouce Hg [-760 mm Hg]).
- 6) Retirez rapidement la vanne du collecteur à jauge de l'ouverture de service du robinet d'arrêt.
- 7) Lorsque les conduites de réfrigérant sont raccordées et purgées, ouvrez complètement les robinets d'arrêt aux deux extrémités des tuyaux de liquide et de gaz. La mise en service sans ouvrir complètement les robinets d'arrêt diminue le rendement de l'unité et peut entraîner des problèmes.
- 8) Reportez-vous à la section 4.1. Tuyaux de réfrigérant et chargez la quantité de réfrigérant recommandée si nécessaire. Veillez à verser lentement le liquide réfrigérant. Sinon, la composition du réfrigérant dans le système peut changer et affecter les performances du climatiseur.
- 9) Serrez le bouchon de l'ouverture de service.
- 10) Effectuez un test de contrôle des fuites

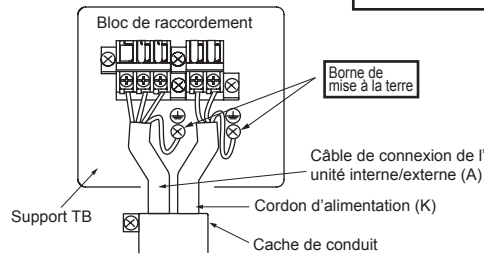
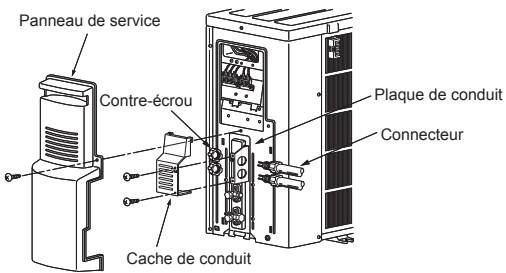
5. Installations électriques

5.1. Raccordement des câbles de l'unité externe

- 1) Retirez le panneau de service.
- 2) Déposez le cache de conduit.
- 3) Attachez le connecteur de conduit à l'aide d'un contre-écrou et fixez-la contre l'unité avec des vis.
- 4) Raccordez les câbles de terre du câble de connexion de l'unité interne/externe (A) et le cordon d'alimentation (K) au support TB.
- 5) Desserrez la vis de raccordement et branchez le câble de connexion de l'unité interne/externe (A) depuis l'unité interne au bloc de raccordement. Fixez fermement le câble au bloc de raccordement pour ne pas faire apparaître son noyau et n'appliquez aucune force extérieure à la section de branchement du bloc de raccordement.
- 6) Serrez fermement les vis de fixation. Après l'opération de serrage, vérifiez que les câbles sont bien fixés.
- 7) Branchez le cordon d'alimentation (K).
- 8) Installez le cache de conduit.
- 9) Replacez correctement le panneau de service.

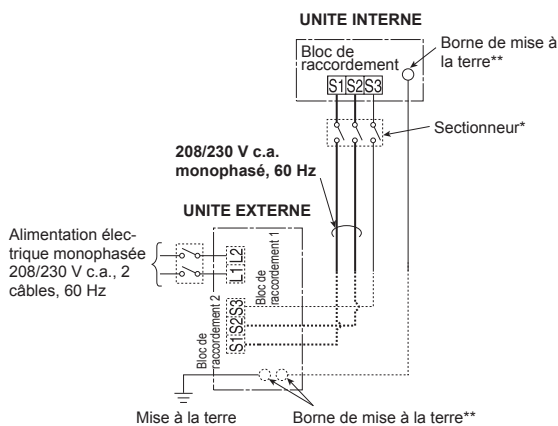
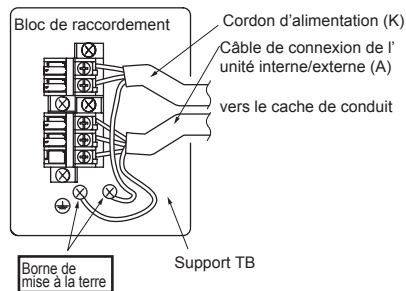
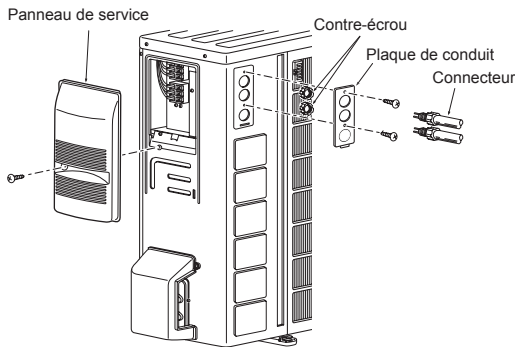


SUZ-KA09, KA12, KA15NA



- Veillez à ce que le câble de terre soit un peu plus long que les autres. (2-3/8 pouce [60 mm] minimum)
- Laissez du jeu dans les câbles de connexion Panneau de service en vue d'entretiens ultérieurs.

SUZ-KA18NA



Remarque :

- * Un sectionneur est nécessaire. Vérifiez la réglementation locale.
- ** Utilisez une borne à languette circulaire pour raccorder le câble de terre.

- Connecter le câble de l'appareil intérieur à la boîte de sorties.
- Utiliser le même bloc de sorties et la même polarité que pour l'unité intérieure.
- Pour pouvoir effectuer des révisions dans le futur, laisser un peu de jeu dans le câble de connexion.

- Les deux extrémités du câble de connexion (rallonge) doivent être dénudées. Lorsque le câble est trop long ou lorsqu'il est relié à partir du milieu, dénuder le câble d'alimentation en respectant les dimensions indiquées à droite.
- Faire attention que le câble de connexion n'entre pas en contact avec les tuyaux.

⚠ Attention:

- Faites attention de brancher les fils correctement.
- Serrer fermement les vis des bornes pour les empêcher de se desserrer.
- Puis tirer légèrement sur les fils pour vous assurer qu'ils ne bougent pas.

⚠ Avertissement:

- Veiller à visser correctement le panneau de service à l'appareil extérieur. Si le panneau de service n'est pas bien installé, de l'eau, des poussières, etc. pourraient pénétrer à l'intérieur de l'appareil, entraînant un risque d'incendie ou de décharge électrique.
- Resserrer convenablement les vis des terminaux.
- Le câblage doit s'effectuer sans que les lignes d'alimentation électrique soient soumises à une tension. Sinon, il pourrait y avoir surchauffe, voire un risque d'incendie.

5. Installations électriques

5.2. Raccordez les câbles électriques

Modèle de l'appareil extérieur		SUZ-KA09, KA12, KA15NA	SUZ-KA18NA
Alimentation		~N (monophasé), 60 Hz 208/230 V	~N (monophasé), 60 Hz 208/230 V
Taille max. des fusibles (temporisé) *1		15 A	15 A
Intensité min. du circuit		12 A	14 A
Raccordement du câble N° taille x (mm²)	Alimentation de l'appareil extérieur	2 x Min. AWG 14	2 x Min. AWG 14
	Alimentation de l'appareil extérieur, mise à la terre	1 x Min. AWG 14	1 x Min. AWG 14
	Appareil intérieur-Appareil extérieur	3 x AWG 14 (Polaire)	3 x AWG 14 (Polaire)
	Appareil intérieur-Appareil extérieur, mise à la terre	1 x Min. AWG 16	1 x Min. AWG 16
Intensité du circuit	Appareil extérieur L1-L2	CA 208/230 V	CA 208/230 V
	Appareil intérieur-Appareil extérieur S1-S2	CA 208/230 V	CA 208/230 V
	Appareil intérieur-Appareil extérieur S2-S3	CC 12 V - CC 24 V (Polaire)	CC 12 V - CC 24 V (Polaire)

*1. Utilisez un disjoncteur de fuites à la terre (NV).

*2. Les chiffres NE sont PAS toujours en rapport avec la terre.

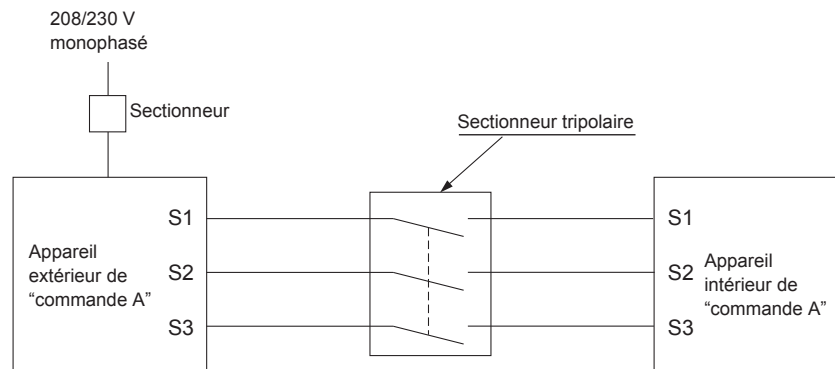
La borne S3 présente CC 24 V par rapport à la borne S2. Cependant entre les bornes S3 et S1, l'isolation électrique n'est PAS assurée par un transformateur ou tout autre dispositif.

Remarques: 1. La taille des fils doit être conforme aux réglementations nationales et locales pertinentes.

2. Utiliser des fils d'alimentation en cuivre.

3. Utiliser des fils d'une intensité nominale de 600V ou plus pour les câbles d'alimentation et les câbles de raccordement de l'appareil intérieur/l'appareil extérieur.

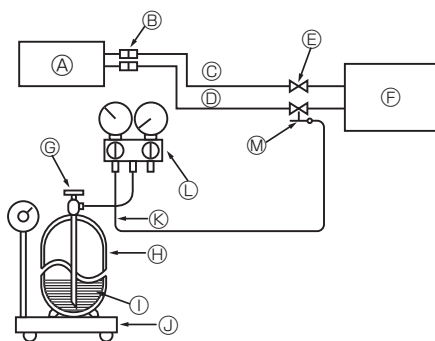
4. Installer un câble de terre plus long que les autres câbles.



⚠ Avertissement:

S'il s'agit d'un câblage de commande A, un risque de haute tension existe sur la borne S3 en raison d'une conception de circuit électrique dépourvue d'un isolant électrique entre la ligne de commande et la ligne de signal de communication. Par conséquent, mettre l'alimentation principale hors tension lors de l'entretien. Veiller également à ne pas toucher les bornes S1, S2 et S3 lorsque l'alimentation est sous tension. S'il faut placer un sectionneur entre les appareils extérieur et intérieur, en utiliser un de type tripolaire.

6. Entretien



- (A) Appareil intérieur
- (B) Raccord
- (C) Conduite de liquide
- (D) Conduit de gaz réfrigérant
- (E) Robinet d'arrêt
- (F) Appareil extérieur
- (G) Vanne de fonctionnement du cylindre de réfrigérant
- (H) Cylindre de gaz réfrigérant pour R410A, avec siphon
- (I) Réfrigérant (liquide)
- (J) Echelle électronique pour la charge de réfrigérant
- (K) Conduite flexible de chargement (pour le R410A)
- (L) Jauge collectrice (pour le R410A)
- (M) Prise de service

Fig. 6-1

6.1. Charge de Gaz (Fig. 6-1)

- Raccorder le tuyau de gaz au port de service de la vanne d'arrêt (à 3 voies).
- Purger l'air du tuyau raccordé au tuyau de gaz réfrigérant.
- Ajouter la quantité spécifiée de réfrigérant, pendant que le climatiseur fonctionne en mode rafraîchissement.

Remarque:

En cas d'ajout de réfrigérant, respecter la quantité précisée pour le cycle de réfrigération.

⚠ Attention:

- Ne pas décharger le réfrigérant dans l'atmosphère. Faire attention de ne pas décharger le réfrigérant dans l'atmosphère durant l'installation, une nouvelle installation ou la réparation du circuit réfrigérant.
- En cas de supplément de charge, charger le réfrigérant sous sa forme liquide à partir d'un cylindre de gaz. Si le réfrigérant est chargé sous sa forme gazeuse, sa composition risque de se modifier à l'intérieur du cylindre et dans l'appareil extérieur. Dans ce cas, la capacité de refroidissement du réfrigérant diminue ou le fonctionnement normal peut même s'avérer impossible. Attention: une charge trop rapide de tout le réfrigérant liquide risque de bloquer le compresseur; dès lors, nous conseillons de charger le réfrigérant lentement.

Pour maintenir une pression élevée dans le cylindre de gaz, le réchauffer avec de l'eau chaude (d'une température inférieure à 104°F, 40°C) pendant la saison froide. Ne jamais utiliser une flamme vive ou de la vapeur pour effectuer cette opération.

1. Por razones de seguridad, deberá observarse siempre lo siguiente	14	4. Colocación de los tubos de refrigerante	16
2. Selección del lugar de instalación	15	5. Trabajo eléctrico	18
3. Diagrama de instalación	15	6. Mantenimiento	19

1. Por razones de seguridad, deberá observarse siempre lo siguiente

- Proporcione un circuito exclusivo para el acondicionador de aire y no conecte otros dispositivos eléctricos a este circuito.
- Antes de instalar la unidad de aire acondicionado, asegúrese de leer "Por razones de seguridad, deberá observarse siempre lo siguiente".
- Asegúrese de observar las precauciones aquí especificadas, dado que incluyen elementos importantes en relación a la seguridad.
- Las indicaciones y su significado son los siguientes.

⚠ Atención:

Podría causar la muerte o lesiones graves.

⚠ Atención:

■ El usuario no debe instalar la unidad.

Una instalación incorrecta o defectuosa podría causar incendios, descargas eléctricas o lesiones debidos a una caída de la unidad o escapes de agua. Consulte a un instalador cualificado o al concesionario en el que adquirió esta unidad.

■ Siga las instrucciones incluidas en el manual de instalación.

Una instrucción defectuosa podría causar incendios, descargas eléctricas, lesiones debidas a una caída de la unidad o escapes de agua.

■ Asegúrese de que el lugar de instalación puede soportar el peso de la unidad.

Si el lugar de instalación no puede aguantar el peso de la unidad, ésta podría caerse y causar daños.

■ Realice la instalación eléctrica siguiendo las instrucciones del manual de instalación y asegurándose de emplear un circuito exclusivo. No conecte otros dispositivos eléctricos al circuito.

Si el circuito de alimentación no tiene suficiente capacidad o la instalación eléctrica se insuficiente, podría producirse un incendio o una descarga eléctrica.

■ Conecte correctamente la unidad a tierra.

No conecte el cable de tierra a una tubería de gas, de agua, pararrayos o la cable de tierra de un teléfono. Una conexión a tierra defectuosa podría provocar una descarga eléctrica.

■ Evite dañar los cables.

Unos cables dañados podrían provocar incendios.

■ Asegúrese de desconectar el conmutador de alimentación general al instalar la placa de circuito impreso o el cableado.

De no hacerlo, podría provocar una descarga eléctrica.

■ Utilice los cables indicados para conectar de forma segura las unidades interiores y exteriores. Conecte bien los cables de modo que no queden tensos en el panel de terminales.

Una conexión incorrecta podría provocar un incendio.

■ No instale la unidad en un lugar donde pueda haber fugas de gas inflamable.

Si hay fugas de gas y se acumula alrededor de la unidad, podría producirse una explosión.

■ No emplee conexiones intermedias del cable de alimentación ni tampoco un cable de extensión. Evite también conectar demasiados aparatos a una sola toma de CA.

Esto podría provocar un incendio o una descarga eléctrica.

■ Utilice las piezas suministradas o indicadas para efectuar la instalación.

El empleo de piezas defectuosas podría provocar lesiones o escapes de agua a causa de un incendio, una descarga eléctrica, la caída de la unidad, etc.

⚠ Cuidado:

■ Instale un disyuntor del interruptor de fallo de conexión a tierra (GFI) en función de la zona de instalación.

Si no está instalado el disyuntor del interruptor de fallo de conexión a tierra (GFI), podría producirse una descarga eléctrica.

■ Para efectuar un drenaje y una instalación de tuberías seguros, siga las indicaciones del manual de instalación.

Un drenaje o una instalación de tuberías defectuosos podría causar un escape de agua en la unidad y dañar los enseres del hogar.

⚠ Cuidado:

Podría causar lesiones graves si se manipula incorrectamente.

- Tras la lectura de este manual, asegúrese de guardarlo junto al manual de instrucciones en un lugar accesible de las instalaciones del cliente.



: Indica una pieza que debe estar conectada a tierra.

⚠ Atención:

Lea atentamente las etiquetas adheridas a la unidad principal.

■ Fije firmemente la cubierta de la instalación eléctrica a la unidad interior y el panel de servicio, a la unidad exterior.

Si no se fijan con firmeza la cubierta de instalación eléctrica de la unidad interior y el panel de servicio de la unidad exterior, podría acumularse polvo, agua, etc. en la unidad y producirse un incendio o una descarga eléctrica.

■ Al instalar o reubicar la unidad, asegúrese de que no entra ninguna otra sustancia excepto el refrigerante especificado (R410A) en el circuito de refrigeración.

Cualquier sustancia extraña en el circuito de refrigeración puede provocar una elevación anómala de la presión o una explosión.

■ No descargue el refrigerante en el ambiente. Una vez acabada la instalación, compruebe que no haya fugas de gas refrigerante. Si se producen fugas de refrigerante durante la instalación, ventile la habitación.

Si el refrigerante entra en contacto con una llama, podría generarse gas nocivo. Si se produjeran pérdidas de gas refrigerante en un interior y entraran en contacto con la llama de un calefactor con ventilador, un calentador, una estufa, etc. se generarían gases nocivos.

■ Utilice las herramientas apropiadas y los materiales de conducción adecuados para la instalación.

La presión del refrigerante R410A es 1,6 veces mayor que la del R22. Si no se utilizan herramientas o materiales apropiados, o si se realiza una instalación defectuosa, las tuberías podrían estallar y provocar lesiones.

■ Al bombear el refrigerante, detenga el compresor antes de desconectar las tuberías de refrigerante.

Si las tuberías de refrigerante se desconectan con el compresor en marcha y la válvula de retención se abre, podría entrar aire y la presión del ciclo de refrigeración aumentaría de forma anómala, lo que podría hacer que las tuberías estallaran.

■ Al instalar la unidad, conecte las tuberías de refrigerante de forma fija antes de poner en marcha el compresor.

Si el compresor se pone en marcha antes de que las tuberías de refrigerante estén conectadas y la válvula de retención se abre, podría entrar aire y la presión del ciclo de refrigeración aumentaría de forma anómala, lo que podría hacer que las tuberías estallaran.

■ Apriete la tuerca abocardada mediante una llave dinamométrica tal como se especifica en el presente manual.

Si la aprieta demasiado, la tuerca abocardada podría romperse y causar pérdidas de refrigerante.

■ Instale la unidad de acuerdo con la normativa para instalaciones eléctricas.

■ No toque la entrada de aire ni las aletas de aluminio de la unidad exterior.

Esto podría causar lesiones.

■ No instale la unidad exterior donde puedan vivir animales pequeños.

Si los animales penetran en la unidad y dañan las piezas eléctricas podría provocar fallos de funcionamiento, humos o incendios. Mantenga limpia el área alrededor de la unidad.

2. Selección del lugar de instalación

2.1. Unidad exterior

- Donde no esté expuesta a vientos fuertes.
- Donde haya un buen flujo de aire sin polvo.
- Donde el ruido o el aire caliente causados por el funcionamiento no moleste a los vecinos.
- Donde haya una pared o un punto de apoyo firme para evitar un mayor ruido o vibración durante el funcionamiento.
- Donde no exista riesgo de fugas de gas combustible.
- Si se instala la unidad en alto, asegúrese de fijar las patas de la unidad.
- Donde esté a una distancia mínima de 10 pies (3 m) de cualquier antena de televisión o radio. El funcionamiento del acondicionador de aire puede interferir con la capacidad de recepción del televisor o la radio. Puede ser necesario conectar el receptor afectado a un amplificador.
- Instale la unidad en horizontal.
- Instálela en una área donde no sufra el efecto provocado por una nevada, viento o nieve. En zonas de intensa nieve, le rogamos que instale un toldo, pedestal y/o pantallas acústicas planas.

Nota:

- Se recomienda establecer el circuito cerrado de la tubería cerca de la unidad exterior para reducir la vibración.
- Para mayor eficacia, instale la unidad exterior en una ubicación donde se pueda evitar, en la medida de lo posible, la luz solar directa continua o agua excesiva.

⚠ Cuidado:

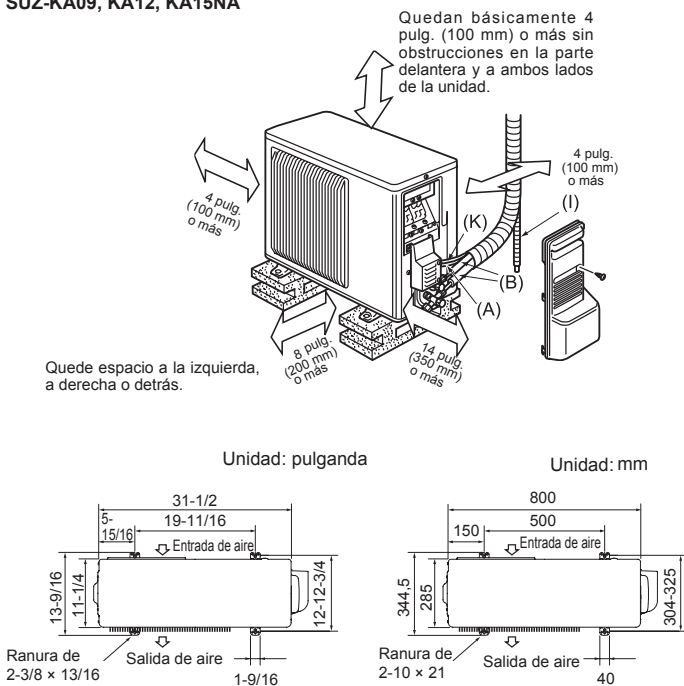
Si utiliza el acondicionador de aire cuando la temperatura exterior sea baja, observe las instrucciones siguientes.

- No instale nunca la unidad exterior en un lugar en el que el lado de entrada/salida de aire quede expuesto directamente al viento.
 - Para evitar la exposición al viento, instale la unidad exterior con el lado de entrada de aire hacia la pared y placa deflectora en el lado de salida de aire.
- Para instalar el aparato de aire acondicionado, evite los lugares siguientes donde es más probable que ocurran problemas.
- Donde pueda haber una fuga de gas inflamable.
 - Donde haya demasiado aceite para maquinaria.
 - En ambientes salobres, como las zonas costeras.
 - Donde haya gas sulfúrico, como en zonas de baños termales.
 - Donde haya algún equipo inalámbrico o de alta frecuencia.

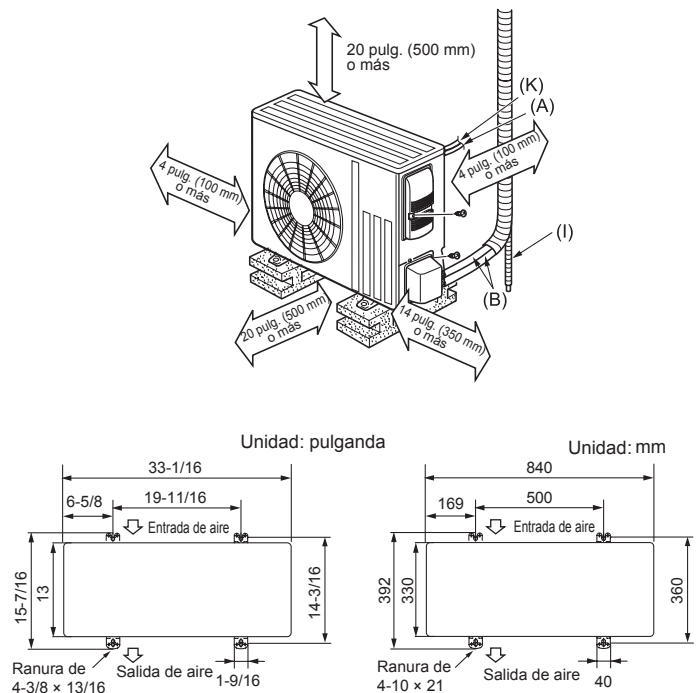
La unidad exterior provoca condensación durante la función de calefacción. Seleccione un lugar para la instalación en el que la unidad exterior y las tomas de tierra no se humedezcan con agua de drenaje ni se dañen debido a la congelación de este agua de drenaje.

3. Diagrama de instalación

SUZ-KA09, KA12, KA15NA



SUZ-KA18NA



Cuando tenga que instalar la tubería en una pared que contenga metales (no metalizada) o una malla metálica, coloque una pieza de madera tratada químicamente de 25/32 pulg. (20 mm) o más de grosor entre la pared y la tubería o proteja a ésta última con 7 u 8 vueltas de cinta de vinilo aislante.

Las unidades deberán ser instaladas por una persona titulada, de acuerdo a las normas locales.

Nota:

Si utiliza el acondicionador de aire cuando la temperatura exterior es baja, observe las instrucciones siguientes.

- No instale nunca la unidad exterior en un lugar en el que el lado de la entrada/salida de aire quede expuesto directamente al viento.
- Para evitar la exposición al viento, instale la unidad exterior con el lado de la entrada de aire hacia la pared.
- Para evitar la exposición al viento, se recomienda instalar una placa deflectora en el lado de salida de aire de la unidad exterior.

Tubería de drenaje para la unidad exterior

Instale la unidad horizontal.

No utilice tapa de desagüe en regiones frías. El desagüe se puede congelar y provocar la parada del ventilador.

La unidad exterior provoca condensación durante la función de calefacción. Seleccione un lugar para la instalación en el que la unidad exterior y los terminales de tierra no se humedezcan con agua de drenaje ni se dañen debido a la congelación de este agua de drenaje.

4. Colocación de los tubos de refrigerante

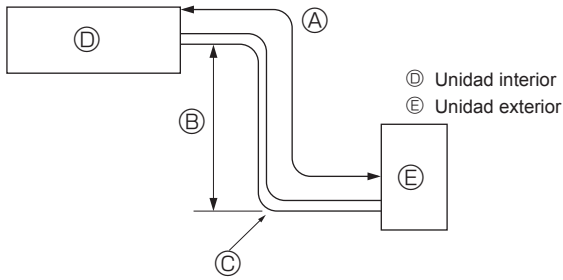


Fig. 4-1

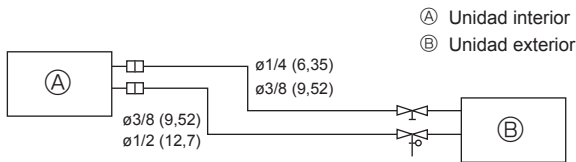


Fig. 4-2

4.1. Tubería de refrigerante (Fig. 4-1, Fig. 4-2)

► Compruebe que la diferencia de altura entre las unidades interior y exterior, la longitud del tubo de refrigerante y la cantidad de codos en la tubería se encuentren dentro de los límites que se indican a continuación.

Modelos	Ⓐ Longitud de las tuberías (un sentido)	Ⓑ Diferencia de altura	Ⓒ Número de codos (un sentido)
SUZ-KA09, KA12, KA15	Máx. 65 pies. (20 m)	Máx. 40 pies. (12 m)	Máx. 10
SUZ-KA18	Máx. 100 pies. (30 m)	Máx. 50 pies. (15 m)	Máx. 10

- Las limitaciones de diferencia de altura son obligatorias sin importar qué unidad, la interior o la exterior, está colocada más alta.
- Ajuste de refrigerante... Si la longitud de la tubería es superior a 25 pies. (7,5 m), será necesario emplear más refrigerante (R410A)
(La carga de refrigerante de la unidad exterior está calculada para una longitud máxima de tubería de 25 pies. (7,5 m).)

Longitud de tubería	Hasta 25 pies (7,5 m)	No se necesita más carga.
	Más de 25 pies. (7,5 m)	Se necesita más carga. (Consulte la tabla de abajo.)
Cantidad de refrigerante a añadir	SUZ-KA09, KA12, KA15	1,62 oz cada 5 pies. (30 g/m)
	SUZ-KA18	1,08 oz cada 5 pies. (20 g/m)

- La tabla siguiente muestra las especificaciones de los tubos comercialmente disponibles.

Modelo	Tubo	Diámetro exterior	Grosor mínimo de la pared	Grosor de aislamiento	Material aislante
		pulg. (mm)	pulg. (mm)	pulg. (mm)	
SUZ-KA09	Para líquido	1/4 (6,35)	0,0315 (0,8)	5/16 (8)	Plástico de espuma termorresistente con un peso específico de 0,045
	Para gas	3/8 (9,52)	0,0315 (0,8)	5/16 (8)	
SUZ-KA12	Para líquido	1/4 (6,35)	0,0315 (0,8)	5/16 (8)	
	Para gas	3/8 (9,52)	0,0315 (0,8)	5/16 (8)	
SUZ-KA15	Para líquido	1/4 (6,35)	0,0315 (0,8)	5/16 (8)	
	Para gas	1/2 (12,7)	0,0315 (0,8)	5/16 (8)	
SUZ-KA18	Para líquido	1/4 (6,35)	0,0315 (0,8)	5/16 (8)	
	Para gas	1/2 (12,7)	0,0315 (0,8)	5/16 (8)	

- Para evitar la condensación, aisle las 2 tuberías de refrigerante.
- El radio de curvatura de la tubería de refrigerante debe ser de 4 pulg. (100 mm) o más.

⚠ Cuidado:

Asegúrese de utilizar un aislamiento de grosor especificado (tabla de la derecha). El uso excesivo de aislante puede causar una instalación incorrecta de la unidad interior y el uso de una cantidad insuficiente de aislante puede provocar la condensación.

- Las unidades tienen conexiones abocinadas en los lados interior y exterior.
- Retire la tapa de la válvula de la unidad exterior y, a continuación, conecte la tubería.
- Las tuberías de refrigerante se emplean para conectar las unidades interior y exterior.
- Tenga cuidado de no romper ni doblar demasiado el tubo cuando lo flexione.

4.2. Trabajo de abocinamiento (Fig. 4-3)

- Corte el tubo de cobre correctamente con un cortador de tubos.
- Elimina las rebabas de la sección de corte de la tubería, asegurándose de tomar precauciones para evitar la entrada de recortes metálicos en la tubería.
- Extraiga las tuercas abocinadas colocadas en las unidades interior y exterior y póngalas en el tubo.
- Labores de abocinamiento. Sujete firmemente el tubo de cobre de la dimensión que se muestra en la tabla. Seleccione A en pulgadas (mm) en la tabla según la herramienta que emplee.
- Compruebe
 - Compare el abocinado.
 - Si el abocinado es defectuoso, corte la sección y repita el procedimiento.

Diámetro del tubo pulg. (mm)	Nut pulg. (mm)	A en pulgadas (mm)			Par de torsión	
		Herramienta tipo embrague para R410A	Herramienta tipo embrague para R22	Herramienta tipo tuerca de mariposa para R22	N·m	ft·lb (kgf·cm)
1/4 (6,35)	1/4 (17)	0 a 0,02 (0 a 0,5)	0,04 a 0,06 (1,0 a 1,5)	0,06 a 0,08	13,7 a 17,7	10 a 13 (140 a 180)
3/8 (9,52)	3/8 (22)			(1,5 a 2,0)	34,3 a 41,2	25 a 30 (350 a 420)
1/2 (12,7)	1/2 (26)			0,08 a 0,10	49,0 a 56,4	36 a 42 (500 a 575)
5/8 (15,88)	5/8 (29)			(2,0 a 2,5)	73,5 a 78,4	54 a 58 (750 a 800)

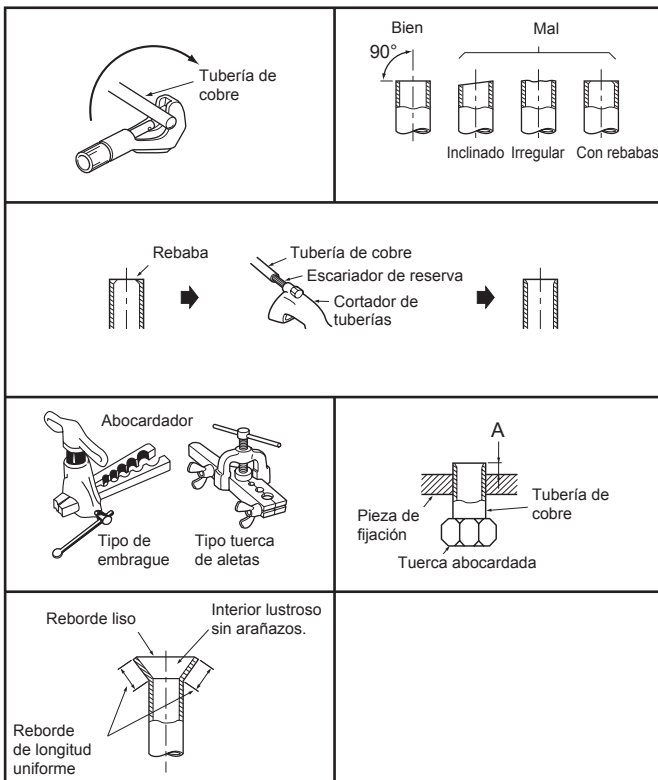


Fig. 4-3

4. Colocación de los tubos de refrigerante

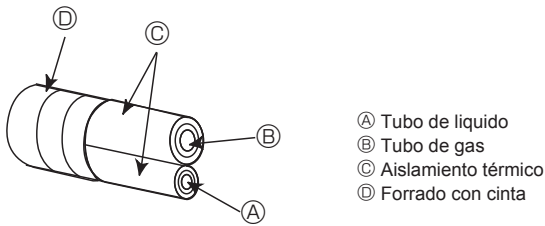


Fig. 4-4

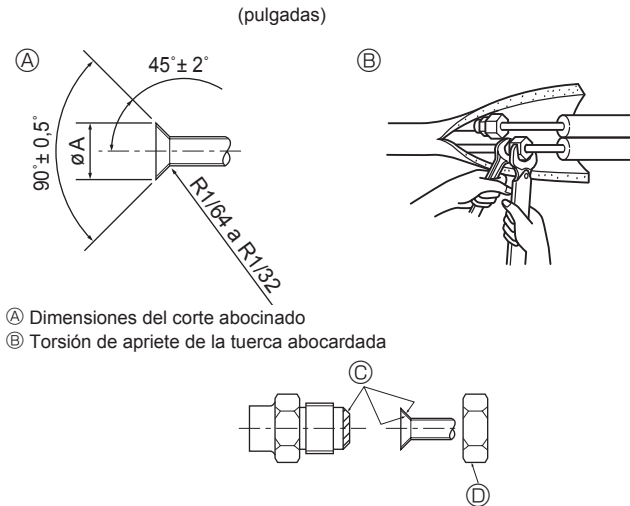


Fig. 4-5

4.3. Tubos de conexión (Fig. 4-4, Fig. 4-5)

- Apriete una tuerca abocardada con una llave dinamométrica tal y como se especifica en la tabla (Véase 4.2.).
- Si la aprieta demasiado, la tuerca abocardada podría romperse y causar pérdidas de refrigerante.

[Fig. 4-5]

- Aplique una capa delgada de aceite refrigerante a la superficie tubo y de la junta de asiento antes de apretar la tuerca de abocardado. (A)
- Utilice dos llaves de apriete para apretar las conexiones de los tubos. (B)
- Utilice un detector de fugas o agua jabonosa para comprobar posibles fugas de gas una vez realizadas las conexiones.
- Aplique aceite refrigerante para máquinas en toda la superficie abocinada. (C)
- Utilice las tuercas abocardadas para el siguiente tamaño de tubería. (D)

		KA09, KA12	KA15, KA18
Tubo de gas	Tamaño de la tubería pulg. (mm)	3/8 (9,52)	1/2 (12,7)
Tubo de líquido	Tamaño de la tubería pulg. (mm)	1/4 (6,35)	1/4 (6,35)

*1: La tuerca abocardada está acoplada a su tubería.

*2: La tuerca abocardada está en el accesorio de la unidad exterior.

No use las tuercas abocardadas distintos de los datos adjuntos. Si se usa, podría ocurrir una fuga de gas o incluso la extracción de una tubería.

- El radio de curvatura de la tubería de refrigerante debe ser de 4 pulg. (100 mm) o más.
- Asegúrese de que las tuberías no tocan el compresor. Podría producir ruidos o vibraciones extrañas.

① Las tuberías se deben conectar empezando por la unidad interior.

Las tuercas abocardadas se deben apretar con una llave dinamométrica.

② Caliente el tubo de líquido y el tubo de gas y aplique una fina capa de aceite de refrigeración (aplicado directamente).

⚠ Atención:

Tenga cuidado de no soltar la tuerca de abocardado. (Presurización interna)

Extraiga la tuerca de abocardado tal y como se indica:

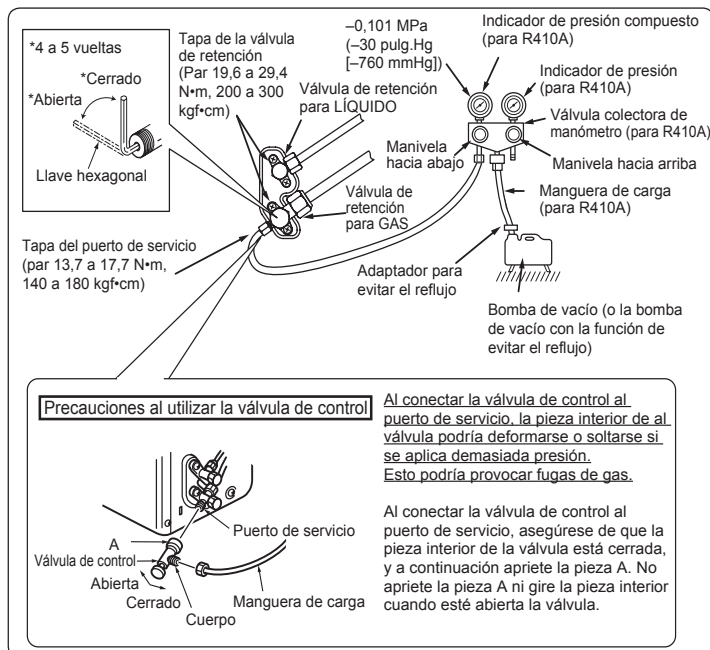
1. Afloje la tuerca hasta que escuche un silbido.
2. No extraiga la tuerca hasta que se haya liberado completamente el gas (es decir, hasta que se detenga el silbido).
3. Compruebe que se haya liberado completamente el gas y extraiga la tuerca.

(A) (Fig. 4-5)

Diámetro del tubo		Dimensiones de abocinado	
pulgadas	(mm)	pulgadas	(mm)
1/4"	(6,35)	11/32 - 23/64	(8,7 - 9,1)
3/8"	(9,52)	1/2 - 33/64	(12,8 - 13,2)
1/2"	(12,7)	41/64 - 21/32	(16,2 - 16,6)
5/8"	(15,88)	49/64 - 25/32	(19,3 - 19,7)

4.4. Procedimiento de purgado y prueba de fugas

- 1) Retire la tapa de la abertura de servicio de la válvula de retención situada en el lado de la tubería de gas de la unidad exterior.
- 2) Conecte la válvula colectora de manómetro y la bomba de vacío al puerto de servicio de la válvula de retención en el lado de la tubería del gas de la unidad exterior.

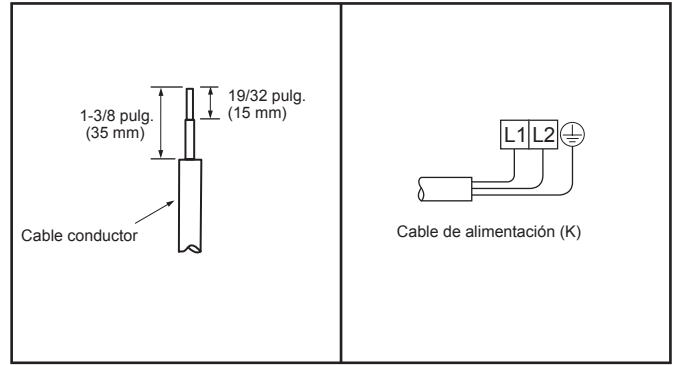


- 3) Ponga en funcionamiento la bomba de vacío durante 15 minutos o más.
- 4) Compruebe el vacío con la válvula colectora de manómetro, cierre luego esta válvula y detenga la bomba de vacío.
- 5) Espere así 1 o 2 minutos. Asegúrese de que la válvula colectora de manómetro permanece en la misma posición. Compruebe que el manómetro de presión marca -0,101 MPa [Manómetro] (-30 pulg.Hg [-760 mmHg]).
- 6) Extraiga rápidamente la válvula colectora de manómetro del puerto de servicio de la válvula de retención.
- 7) Después de haber conectado y purgado los tubos de refrigeración, abra por completo todas las válvulas de retención de ambos lados del tubo de gas y del tubo de líquido. Si no se lleva a cabo esta operación abriendo dichas válvulas por completo, el rendimiento disminuirá y se producirán problemas.
- 8) Véase 4.1. Tubería de refrigerante, e introduzca la cantidad indicada de refrigerante si fuera necesario. Introduzca el refrigerante líquido con lentitud. De lo contrario, la composición del refrigerante en el sistema puede cambiar y afectar al rendimiento del equipo de aire acondicionado.
- 9) Apriete la tapa del puerto de servicio.
- 10) Realice la prueba de fugas

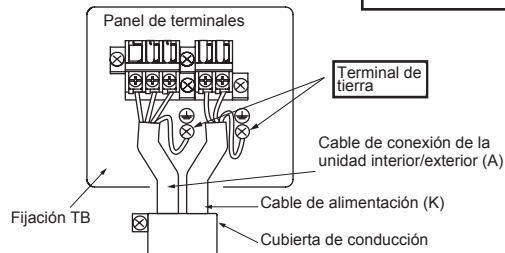
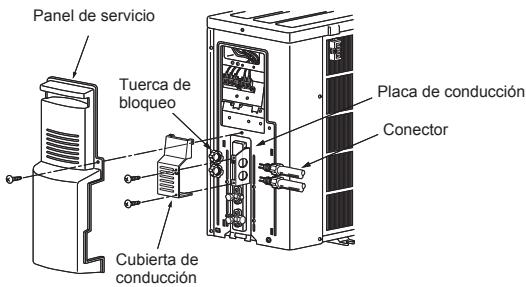
5. Trabajo eléctrico

5.1. Cables de conexión para la unidad exterior

- 1) Extraiga el panel de servicio.
- 2) Extraiga la cubierta de conducción.
- 3) Acople el conector de conducción a la placa de conducción con la tuerca de bloqueo y, a continuación, fíjelo a la unidad con tornillos.
- 4) Conecte los cables de tierra del cable de conexión de la unidad interior/exterior (A) y el cable de alimentación (K) a la fijación TB.
- 5) Afloje el tornillo del terminal, y conecte el cable de conexión de la unidad interior/exterior (A) de la unidad interior en el panel de terminales. Fije con firmeza el cable al panel de terminales de modo que no quede a la vista ninguna de sus piezas internas y que ninguna fuerza externa afecte a la sección del panel de terminales.
- 6) Apriete bien los tornillos de los terminales. Una vez apretados los tornillos, compruebe que los cables estén bien fijados.
- 7) Conecte el cable de alimentación (K).
- 8) Instale la cubierta de conducción.
- 9) Instale el panel de servicio de forma segura.

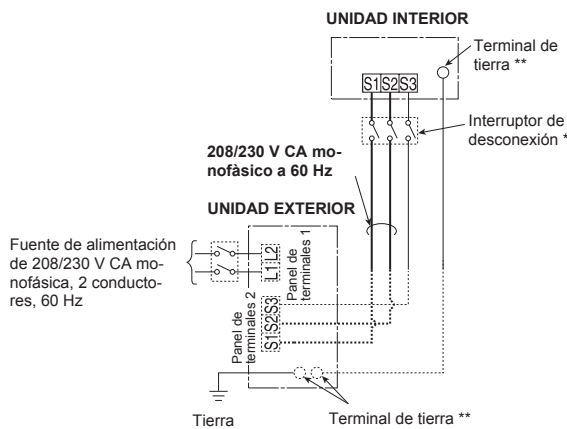
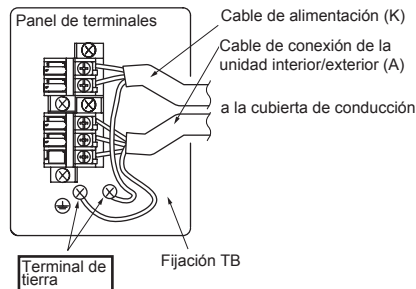
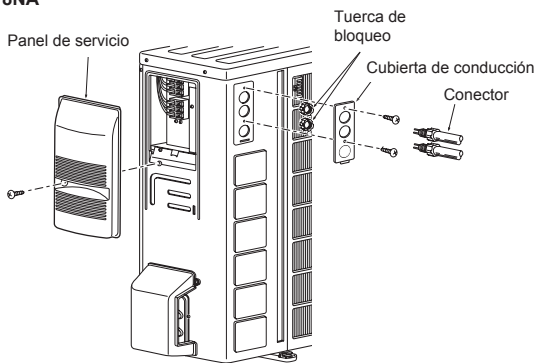


SUZ-KA09, KA12, KA15NA



- El cable de tierra tiene que ser un poco más largo que los otros (más de 2-3/8 pulg. [60 mm]).
- Para el servicio futuro, deje un poco de holgura en los cables de conexión.

SUZ-KA18NA



Observación:

- * Se requiere un interruptor de desconexión. Consulte la normativa local.
- ** Utilice un terminal en anillo para conectar el cable de tierra al terminal.

- Conecte correctamente el cable de la unidad interior al bloque del terminal.
- Utilice el mismo bloque de terminal y la misma polaridad empleada en la unidad interior.
- Para el mantenimiento posterior, dele una longitud adicional al cable de conexión.

- Ambos extremos del cable de conexión (cordón de extensión) están pelados. Cuando sea demasiado largo o se conecte mediante un corte por la mitad, pele el cable de la fuente de alimentación según las medidas que aparecen en la figura.
- Tenga cuidado de que el cable de conexión no haga contacto con los tubos.

⚠ Cuidado:

- Asegúrese de no realizar un mal cableado.
- Apriete firmemente los tornillos de la terminal para evitar que se aflojen.
- Tras apretarlos, tire ligeramente de los cables para confirmar que no se muevan.

⚠ Atención:

- Asegúrese de fijar firmemente el panel de servicio de la unidad exterior. Si no se monta correctamente, podría producirse un incendio o un electrochoque a causa del polvo, el agua, etc.
- Apriete firmemente los tornillos de cada terminal.
- Realice el cableado de modo que los cables de alimentación no estén en tensión, ya que se podría recalentar o causar un incendio.

5. Trabajo eléctrico

5.2. Cableado eléctrico de campo

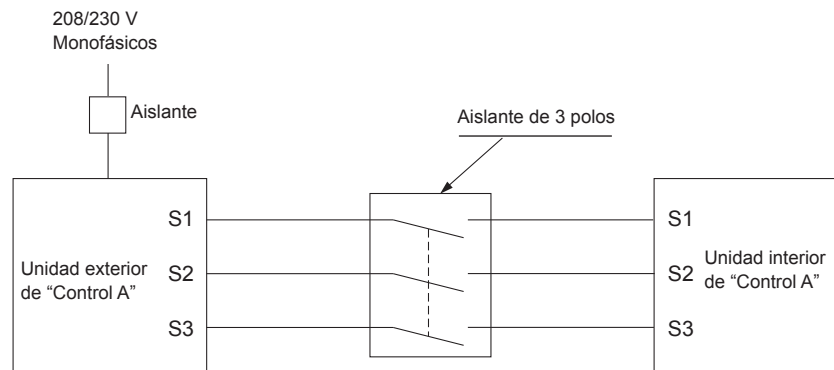
Modelo de unidad exterior	SUZ-KA09, KA12, KA15NA	SUZ-KA18NA	
Alimentación	~N (monofase), 60 Hz 208/230 V	~N (monofase), 60 Hz 208/230 V	
Tamaño máx. del fusible (tiempo de propagación) *1	15 A	15 A	
Amperaje mínimo del circuito	12 A	14 A	
Cable de Cableado N ^o x tamaño (mm ²)	Alimentación de la unidad exterior	2 x Mín. AWG 14	2 x Mín. AWG 14
	Tierra de alimentación de la unidad exterior	1 x Mín. AWG 14	1 x Mín. AWG 14
	Unidad interior-Unidad exterior	3 x AWG 14 (Polar)	3 x AWG 14 (Polar)
	Unidad interior- Tierra de unidad exterior	1 x Mín. AWG 16	1 x Mín. AWG 16
Datos en circuito	Unidad exterior L1-L2	208/230 V CA	208/230 V CA
	Unidad interior-Unidad exterior S1-S2	208/230 V CA	208/230 V CA
	Unidad interior-Unidad exterior S2-S3	12 V CC - 24 V CC(Polar)	12 V CC - 24 V CC (Polar)

*1. Utilice un interruptor de toma de tierra (NV).

*2. Las figuras NO siempre presentan toma de tierra.

El terminal S3 tiene 24 V CC contra el terminal S2. Sin embargo, entre S3 y S1, estos terminales NO están aislados eléctricamente por el transformador u otro dispositivo.

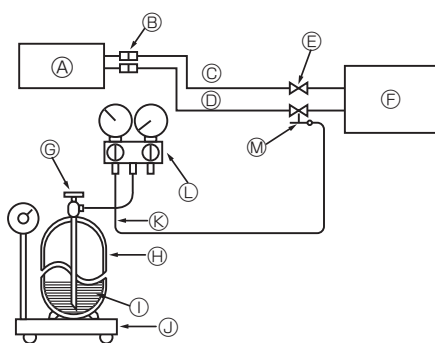
- Notas:**
1. El diámetro de los cables debe cumplir la normativa local y nacional.
 2. Utilice cables de cobre.
 3. Utilice cables con un régimen nominal de 600 V o superior para los cables de la fuente de alimentación y los cables de conexión de las unidades interior/ exterior.
 4. Instale un cable de toma de tierra más largo que el resto de los cables.



⚠ Atención:

Si hay un cableado de control A habrá un alto voltaje potencial en el terminal S3 causado por un diseño de circuito eléctrico que no incluye aislamiento entre la línea de alimentación y la línea de señal de comunicación. Por ello es necesario que desconecte la alimentación principal antes de reparar la unidad. No toque nunca los terminales S1, S2 y S3 mientras esté conectada la alimentación eléctrica. Si debe utilizar el aislante entre la unidad interior y la unidad exterior, utilice el tipo de aislante de 3 polos.

6. Mantenimiento



- | | |
|---|---|
| (A) Unidad interior | (H) Cilindro de gas refrigerante del R410A con sifón |
| (B) Unión | (I) Refrigerante (líquido) |
| (C) Tubería de líquido | (J) Balanza electrónica para la carga de refrigerante |
| (D) Tubería de gas | (K) Manguera de carga (para R410A) |
| (E) Válvula de retención | (L) Válvula múltiple del manómetro (para R410A) |
| (F) Unidad exterior | (M) Abertura de servicio |
| (G) Válvula de accionamiento del cilindro de gas refrigerante | |

Fig. 6-1

6.1. Carga de gas (Fig. 6-1)

1. Conecte el cilindro de gas a la abertura de servicio de la válvula de parada (de 3 vías).
2. Purgue el aire del tubo (o conducto) procedente del cilindro de gas refrigerante.
3. Vuelva a llenar la cantidad de refrigerante especificada mientras la unidad de aire acondicionado esté funcionando en modo de refrigeración.

Nota:

Si añade refrigerante, no sobrepase la cantidad especificada para el ciclo de refrigeración.

⚠ Cuidado:

- No descargue el refrigerante en el ambiente. Tenga cuidado en no descargar el refrigerante en el ambiente durante la instalación, reinstalación o reparaciones en el circuito refrigerante.
- Para añadir más refrigerante, utilice un cilindro de gas a presión y cargue el refrigerante en estado líquido. Recuerde que si carga el refrigerante en estado gaseoso, su composición puede alterarse en el interior del cilindro y en la unidad exterior. Si esto ocurriera, la capacidad del ciclo de refrigeración disminuiría e incluso podría ser que el aparato no funcionase. Cargue el líquido refrigerante poco a poco, porque si lo carga de una sola vez puede bloquear el compresor.

Para mantener alta la presión del cilindro de gas, caliente el cilindro de gas con agua caliente (a menos de 104 °F, 40 °C) en las estaciones frías. Nunca utilice fuego o vapor.

Please be sure to put the contact address/telephone number on
this manual before handing it to the customer.