

Air-Conditioners

SLZ-KA09, KA12, KA15NA

INSTALLATION MANUAL

For safe and correct use, please read this manual and the outdoor unit installation manual thoroughly before installing the air-conditioner unit.

FOR INSTALLER

MANUEL D'INSTALLATION

Avant d'installer le climatiseur, lire attentivement ce manuel, ainsi que le manuel d'installation de l'appareil extérieur pour une utilisation sûre et correcte.

POUR L'INSTALLATEUR

MANUAL DE INSTALACIÓN

Para un uso seguro y correcto, lea detalladamente este manual de instalación antes de montar la unidad de aire acondicionado.

PARA EL INSTALADOR

English

Français

Español

Contents

1. Safety precautions.....	2	5. Refrigerant pipe and drain pipe.....	6
2. Selecting the installation location.....	3	6. Electrical work.....	7
3. Installation diagram.....	3	7. Installing the grille.....	10
4. Installing the indoor unit.....	3	8. Test run.....	12

1. Safety precautions

- ▶ Before installing the unit, make sure you read all the “Safety precautions”.
- ▶ Please report to your supply authority or obtain their consent before connecting this equipment to the power supply system.

⚠ Warning:
Describes precautions that must be observed to prevent danger of injury or death to the user.

⚠ Caution:
Describes precautions that must be observed to prevent damage to the unit.

- ⚠ Warning:**
- Ask a dealer or an authorized technician to install the unit.
 - For installation work, follow the instructions in the Installation Manual and use tools and pipe components specifically made for use with refrigerant specified in the outdoor unit installation manual.
 - The unit must be installed according to the instructions in order to minimize the risk of damage from earthquakes, typhoons, or strong winds. An incorrectly installed unit may fall down and cause damage or injuries.
 - The unit must be securely installed on a structure that can sustain its weight.
 - If the air conditioner is installed in a small room, measures must be taken to prevent the refrigerant concentration in the room from exceeding the safety limit in the event of refrigerant leakage. Should the refrigerant leak and cause the concentration limit to be exceeded, hazards due to lack of oxygen in the room may result.

1.1. Before installation (Environment)

- ⚠ Caution:**
- Do not use the unit in an unusual environment. If the air conditioner is installed in areas exposed to steam, volatile oil (including machine oil), or sulfuric gas, areas exposed to high salt content such as the seaside, the performance can be significantly reduced and the internal parts can be damaged.
 - Do not install the unit where combustible gases may leak, be produced, flow, or accumulate. If combustible gas accumulates around the unit, fire or explosion may result.
 - Do not keep food, plants, caged pets, artwork, or precision instruments in the direct airflow of the indoor unit or too close to the unit, as these items can be damaged by temperature changes or dripping water.

1.2. Before installation or relocation

- ⚠ Caution:**
- Be extremely careful when transporting the units. Two or more persons are needed to handle the unit, as it weighs 20 kg, 44 lbs or more. Do not grasp the packaging bands. Wear protective gloves as you can injure your hands on the fins or other parts.
 - Be sure to safely dispose of the packaging materials. Packaging materials, such as nails and other metal or wooden parts may cause stabs or other injuries.

1.3. Before electric work

- ⚠ Caution:**
- Be sure to install circuit breakers. If not installed, electric shock may result.
 - For the power lines, use standard cables of sufficient capacity. Otherwise, a short circuit, overheating, or fire may result.
 - When installing the power lines, do not apply tension to the cables.

1.4. Before starting the test run

- ⚠ Caution:**
- Turn on the main power switch more than 12 hours before starting operation. Starting operation just after turning on the power switch can severely damage the internal parts.
 - Before starting operation, check that all panels, guards and other protective parts are correctly installed. Rotating, hot, or high voltage parts can cause injuries.

After installation work has been completed, explain the “Safety precautions,” use, and maintenance of the unit to the customer according to the information in the Operation Manual and perform the test run to ensure normal operation. Both the Installation Manual and Operation Manual must be given to the user for keeping. These manuals must be passed on to subsequent users.

⚡ : Indicates a part which must be grounded.

⚠ Warning:
Carefully read the labels affixed to the main unit.

- Ventilate the room if refrigerant leaks during operation. If refrigerant comes into contact with a flame, poisonous gases will be released.
- All electric work must be performed by a qualified technician according to local regulations and the instructions given in this manual.
- Use only specified cables for wiring.
- The terminal block cover panel of the unit must be firmly attached.
- Use only accessories authorized by Mitsubishi Electric and ask a dealer or an authorized technician to install them.
- The user should never attempt to repair the unit or transfer it to another location.
- After installation has been completed, check for refrigerant leaks. If refrigerant leaks into the room and comes into contact with the flame of a heater or portable cooking range, poisonous gases will be released.

- When the room humidity exceeds 80% or when the drainpipe is clogged, water may drip from the indoor unit. Do not install the indoor unit where such dripping can cause damage.
- When installing the unit in a hospital or communications office, be prepared for noise and electronic interference. Inverters, home appliances, high-frequency medical equipment, and radio communications equipment can cause the air conditioner to malfunction or breakdown. The air conditioner may also affect medical equipment, disturbing medical care, and communications equipment, harming the screen display quality.

- Thermal insulation of the refrigerant pipe is necessary to prevent condensation. If the refrigerant pipe is not properly insulated, condensation will be formed.
- Place thermal insulation on the pipes to prevent condensation. If the drainpipe is installed incorrectly, water leakage and damage to the ceiling, floor, furniture, or other possessions may result.
- Do not clean the air conditioner unit with water. Electric shock may result.
- Tighten all flare nuts to specification using a torque wrench. If tightened too much, the flare nut can break after an extended period.

- Be sure to ground the unit. If the unit is not properly grounded, electric shock may result.
- Use circuit breakers (ground fault interrupter, isolating switch (+B fuse), and molded case circuit breaker) with the specified capacity. If the circuit breaker capacity is larger than the specified capacity, breakdown or fire may result.

- Do not operate the air conditioner without the air filter set in place. If the air filter is not installed, dust may accumulate and breakdown may result.
- Do not touch any switch with wet hands. Electric shock may result.
- Do not touch the refrigerant pipes with bare hands during operation.
- After stopping operation, be sure to wait at least five minutes before turning off the main power switch. Otherwise, water leakage or breakdown may result.

2. Selecting the installation location

2.1. Indoor unit

- Where airflow is not blocked.
- Where cool air spreads over the entire room.
- Where it is not exposed to direct sunshine.
- At a distance 1 m, 3 ft or more away from your TV and radio (to prevent picture from being distorted or noise from being generated).
- In a place as far away as possible from fluorescent and incandescent lights (so the infrared remote control can operate the air conditioner normally).
- Where the air filter can be removed and replaced easily.

Warning:
Mount the indoor unit into a ceiling strong enough to withstand the weight of the unit.

3. Installation diagram

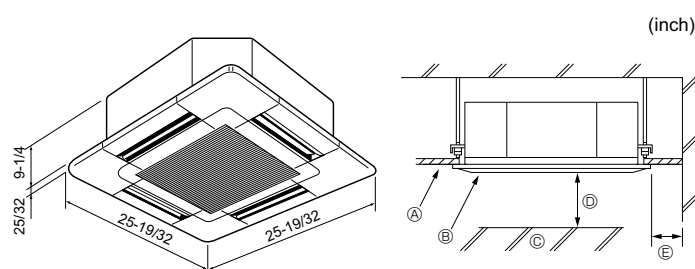


Fig. 3-1

3.1. Indoor unit (Fig. 3-1)

- Ⓐ Ceiling
 - Ⓑ Grille
 - Ⓒ Obstacle
 - Ⓓ Min. 1000 mm, 40 inch
 - Ⓔ Min. 500 mm, 20 inch (Entire periphery)
- If setting the maintenance space for Ⓔ, be sure to leave a minimum of 700 mm, 28 inch.

Warning:
Mount the indoor unit on a ceiling strong enough to withstand the weight of the unit.

3.2. Outdoor unit

Refer to the outdoor unit installation manual.

4. Installing the indoor unit

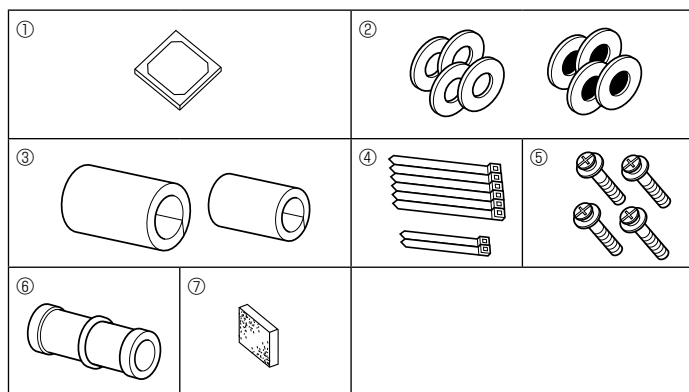


Fig. 4-1

4.1. Check the indoor unit accessories (Fig. 4-1)

The indoor unit should be supplied with the following accessories.

	Accessory name	Qty
①	Installation template	1
②	Washers (with insulation)	4
	Washers (without insulation)	4
③	Pipe cover (for refrigerant piping joint) small diameter (liquid)	1
	large diameter (gas)	1
④	Band (large)	6
	Band (small)	2
⑤	Screw with washer (M5 × 25) for mounting grille	4
⑥	Drain socket	1
⑦	Insulation	1

4. Installing the indoor unit

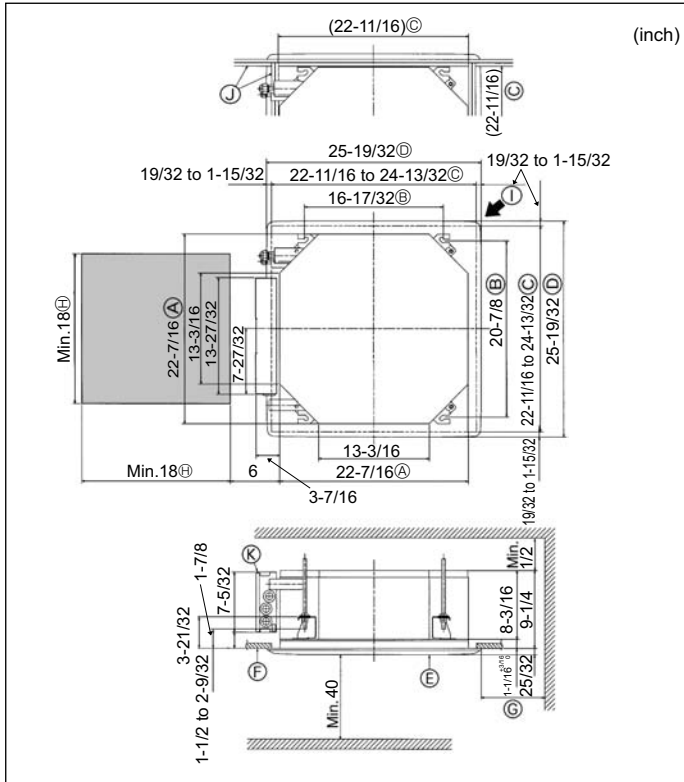


Fig. 4-2

4.2. Ceiling openings and suspension bolt installation locations (Fig. 4-2)

• Using the installation template (top of the package) and the gauge (supplied as an accessory with the grille), make an opening in the ceiling so that the main unit can be installed as shown in the diagram. (The method for using the template and the gauge are shown.)

* Before using, check the dimensions of template and gauge, because they change due to fluctuations of temperature and humidity.

* The dimensions of ceiling opening can be regulated within the range shown in following diagram; so center the main unit against the opening of ceiling, ensuring that the respective opposite sides on all sides of the clearance between them becomes identical.

• Use M10 (3/8") suspension bolts.

* Suspension bolts are to be procured at the field.

• Install securely, ensuring that there is no clearance between the ceiling panel & grille, and between the main unit & grille.

Ⓐ Outer side of main unit	Ⓒ Min. 500 mm, 20 inch (Entire periphery)
Ⓑ Bolt pitch	If setting the maintenance space for Ⓒ, be sure to leave is a minimum of 700 mm, 28 inch.
Ⓓ Ceiling opening	
Ⓔ Outer side of Grille	Ⓗ Maintenance space
Ⓕ Grille	Ⓐ Fresh air intake
Ⓖ Ceiling	Ⓙ Angle
	Ⓚ Electric component box

* Note that the space between ceiling panel of the unit and ceiling slab, etc., must be 10 to 15 mm, 3/8 to 9/16 inch to be left.

* Leave the maintenance space at the electric component box end.

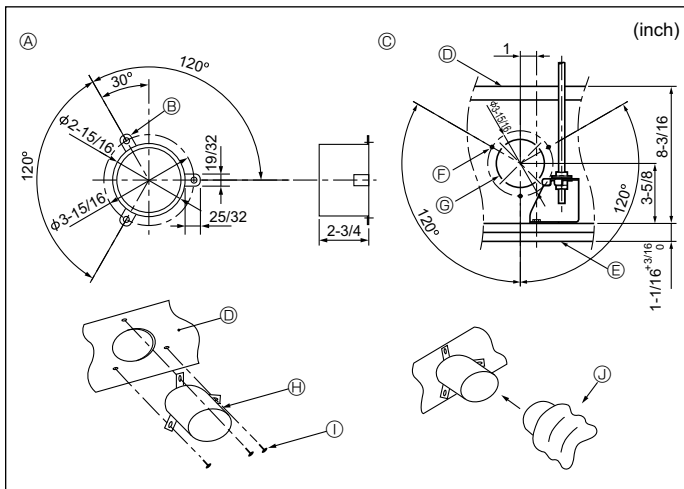


Fig. 4-3

4.3. Installation of duct (in case of fresh air intake) (Fig. 4-3)

⚠ Caution:

Linkage of duct fan and air conditioner

In case that a duct fan is used, be sure to make it linked with the air conditioner when outside air is taken.

Do not run the duct fan only. It can cause dew drop.

Making a duct flange (prepared locally)

• The shape of duct flange shown left is recommended.

Installation of duct flange

• Cut out the cutout hole. Do not knock it out.

• Install a duct flange to the cutout hole of the indoor unit with three 4 × 10 mm, 4 × 1/2 inch tapping screws which should be prepared locally.

Installation of duct (should be prepared locally)

• Prepare a duct of which inner diameter fits into the outer diameter of the duct flange.

• In case that the environment above the ceiling is high temperature and high humidity, wrap the duct in a heat insulate to avoid causing dew drop on the wall.

Ⓐ Duct flange recommended shape	Ⓕ 3-ø2.8 mm, ø1/8 inch Burring hole
(Thickness: 0.8 mm, 1/32 inch or more)	Ⓖ ø73.4 mm, ø2-7/8 inch cutout hole
Ⓑ 3-ø5 mm, ø3/16 inch hole	Ⓗ Duct flange (Prepared locally)
Ⓒ Detail drawing of fresh air intake	Ⓙ 4 × 10 mm, ø4 × 1/2 inch Tapping screw (Prepared locally)
Ⓓ Indoor unit	
Ⓔ Ceiling surface	Ⓚ Duct

4. Installing the indoor unit

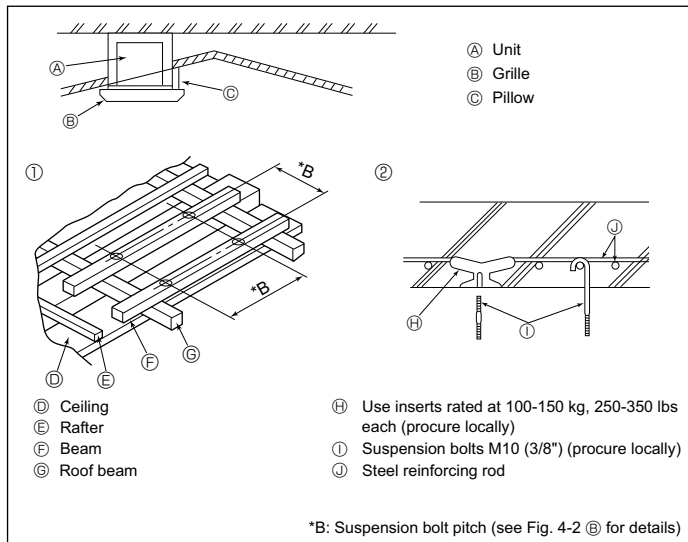


Fig. 4-4

4.4. Suspension structure (Give site of suspension strong structure) (Fig. 4-4)

- The ceiling work differs according to the construction of the building. Building constructors and interior decorators should be consulted for details.
- Extent of ceiling removal: The ceiling must be kept completely horizontal and the ceiling foundation (framework: wooden slats and slat holders) must be reinforced in order to protect the ceiling from vibration.
 - Cut and remove the ceiling foundation.
 - Reinforce the ends of the ceiling foundation where it has been cut and add ceiling foundation for securing the ends of the ceiling board.
 - When installing the unit on a slanting ceiling, interlock a pillow between the ceiling and the grille and set so that the unit is installed horizontally.

① Wooden structures

- Use tie beams (single-story houses) or second floor beams (two story houses) as reinforcing members.
- Wooden beams for suspending air conditioners must be sturdy and their sides must be at least 6 cm, 2-3/8 inch long if the beams are separated by not more than 90 cm, 35-7/16 inch and their sides must be at least 9 cm, 3-9/16 inch long if the beams are separated by as much as 180 cm, 70-7/18 inch. The size of the suspension bolts should be $\phi 10$ mm, 3/8 inch. (The bolts do not come with the unit.)

② Ferroconcrete structures

- Secure the suspension bolts using the method shown, or use steel or wooden hangers, etc. to install the suspension bolts.

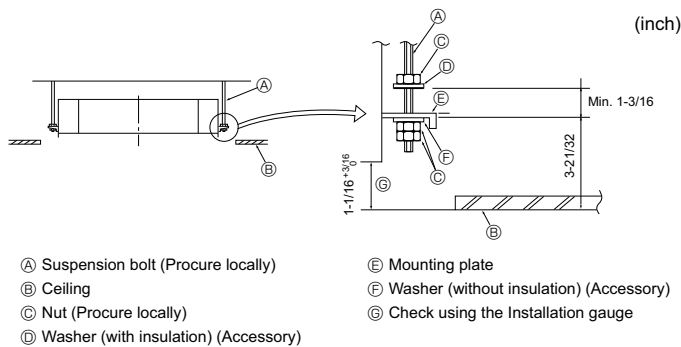


Fig. 4-5

4.5. Unit suspension procedures (Fig. 4-5)

Suspend the main unit as shown in the diagram.

- In advance, set the parts onto the suspension bolts in the order of the washers (with insulation), washers (without insulation) and nuts (double).
 - Fit the washer with cushion so that the insulation faces downward.
 - In case of using upper washers to suspend the main unit, the lower washers (with insulation) and nuts (double) are to be set later.
- Lift the unit to the proper height of the suspension bolts to insert the mounting plate between washers and then fasten it securely.
- When the main unit can not be aligned against the mounting hole on the ceiling, it is adjustable owing to a slot provided on the mounting plate. (Fig. 4-6)
 - Make sure that step A is performed within 27^{+5}_0 mm, $1-1/16^{+3/16}_0$ inch. Damage could result by failing to adhere to this range.

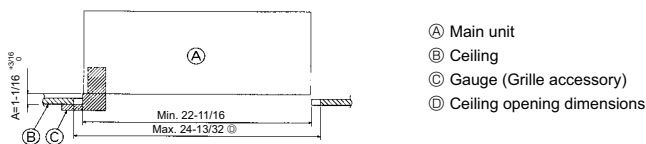


Fig. 4-6

4.6. Confirming the position of main unit and tightening the suspension bolts (Fig. 4-7)

- Using the gauge attached to the grille, ensure that the bottom of the main unit is properly aligned with the opening of the ceiling. Be sure to confirm this, otherwise condensation may form and drip due to air leakage etc.
 - Confirm that the main unit is horizontally levelled, using a level or a vinyl tube filled with water.
 - After checking the position of the main unit, tighten the nuts of the suspension bolts securely to fasten the main unit.
 - The installation template can be used as a protective sheet to prevent dust from entering the main unit when the grilles are left unattached for a while or when the ceiling materials are to be lined after installation of the unit is finished.
- * As for the details of fitting, refer to the instructions given on the Installation template.

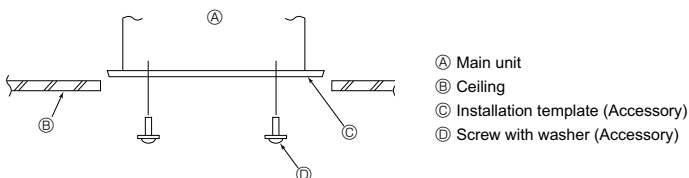


Fig. 4-7

5. Refrigerant pipe and drain pipe

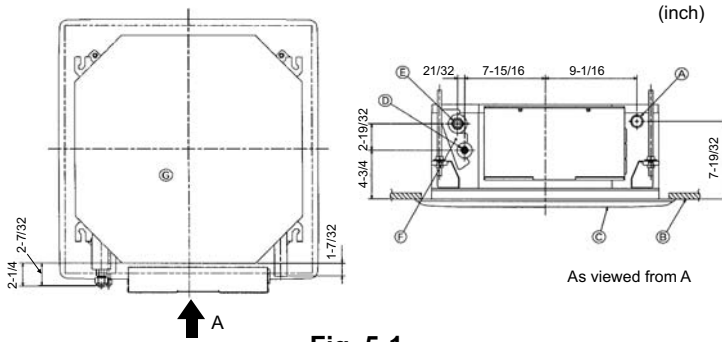


Fig. 5-1

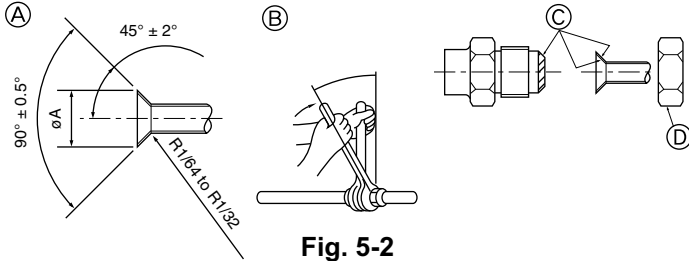


Fig. 5-2

A Flare cutting dimensions

Copper pipe O.D. (mm, inch)	Flare dimensions	
	ϕA dimensions (mm, inch)	
$\phi 6.35$, 1/4"	8.7 to 9.1	11/32 to 23/64
$\phi 9.52$, 3/8"	12.8 to 13.2	1/2 to 33/64
$\phi 12.7$, 1/2"	16.2 to 16.6	41/64 to 21/32

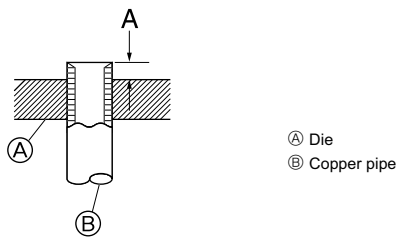


Fig. 5-3

Copper pipe O.D. (mm, inch)	A	
	Flare tool for R410A	
	Clutch type (mm, inch)	
$\phi 6.35$, 1/4"	0 to 0.5	0 to 1/64
$\phi 9.52$, 3/8"	0 to 0.5	0 to 1/64
$\phi 12.7$, 1/2"	0 to 0.5	0 to 1/64

5.1. Refrigerant and drainage piping locations of indoor unit (Fig. 5-1)

- Ⓐ Drain pipe
- Ⓑ Ceiling
- Ⓒ Grille
- Ⓓ Refrigerant pipe (liquid)
- Ⓔ Refrigerant pipe (gas)
- Ⓕ Water supply inlet
- Ⓖ Main unit

5.2. Connecting pipes (Fig. 5-2)

- When commercially available copper pipes are used, wrap liquid and gas pipes with commercially available insulation materials (heat-resistant to 100°C, 212°F or more, thickness of 12 mm, 1/2 inch or more).
- The indoor parts of the drain pipe should be wrapped with polyethylene foam insulation materials (specific gravity of 0.03, thickness of 9 mm, 23/64 inch or more).
- Apply thin layer of refrigerant oil to pipe and joint seating surface before tightening flare nut.
- Use 2 wrenches to tighten piping connections.
- Use refrigerant piping insulation provided to insulate indoor unit connections. Insulate carefully.

Ⓑ Flare nut tightening torque

Copper pipe O.D.		Flare nut O.D.		Tightening torque	
mm	inch	mm	inch	N·m	ft - lbs
6.35	1/4	17	43/64	13.7 to 17.7	10 to 13
9.52	3/8	22	7/8	34.3 to 41.2	25 to 30
12.7	1/2	26	1-1/32	49.0 to 56.4	36 to 42

- Ⓒ Do not apply refrigerating machine oil to the screw portions. (This will make the flare nuts more apt to loosen.)
- Ⓓ Be certain to use the flare nuts that are attached to the main unit. (Use of commercially-available products may result in cracking.)
- Ⓔ Apply refrigerating machine oil over the entire flare seat surface.

5.3. Indoor unit (Fig. 5-4)

Heat insulation for refrigerant pipes:

- ① Wrap the enclosed large-sized pipe cover around the gas pipe, making sure that the end of the pipe cover touches the side of the unit.
 - ② Wrap the enclosed small-sized pipe cover around the liquid pipe, making sure that the end of the pipe cover touches the side of the unit.
 - ③ Secure both ends of each pipe cover with the enclosed bands. (Attach the bands 20 mm, 25/32 inch from the ends of the pipe cover.)
- After connecting the refrigerant piping to the indoor unit, be sure to test the pipe connections for gas leakage with nitrogen gas. (Check that there is no refrigerant leakage from the refrigerant piping to the indoor unit.)

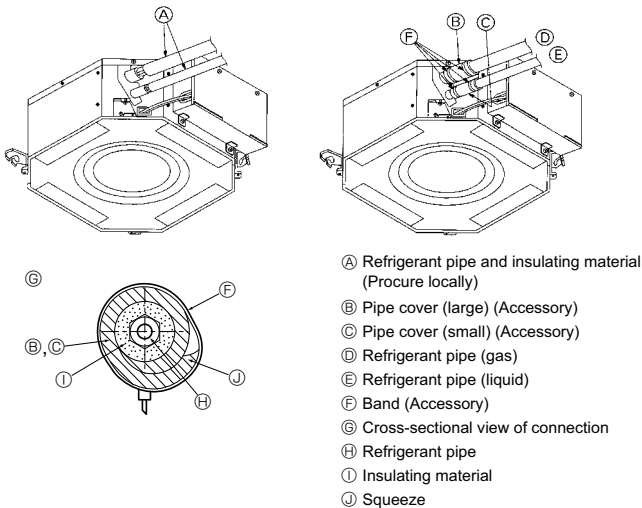


Fig. 5-4

5. Refrigerant pipe and drain pipe

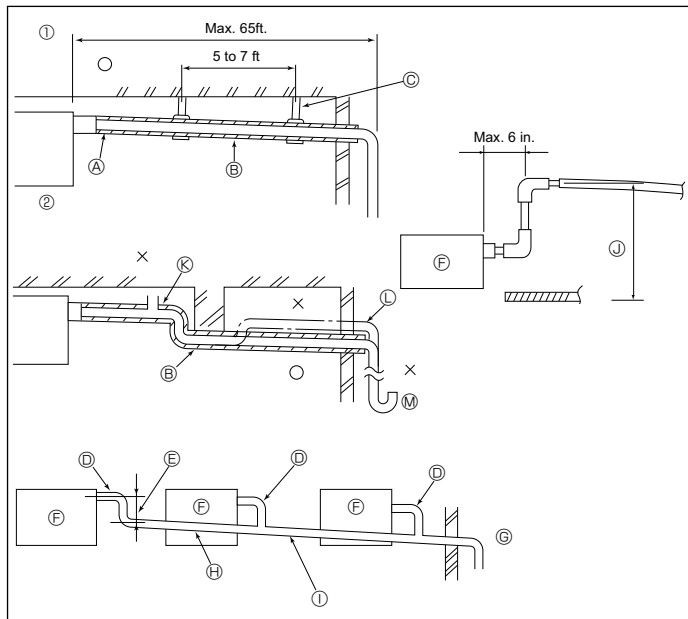


Fig. 5-5

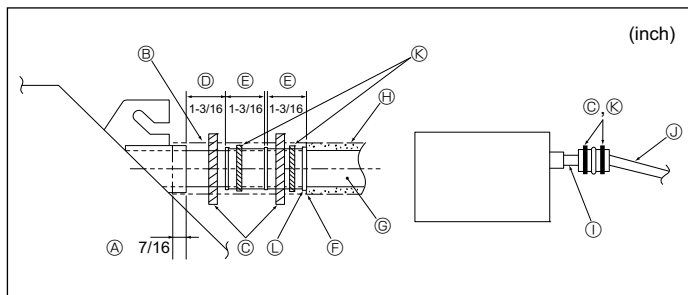


Fig. 5-6

5.4. Drainage piping work (Fig. 5-5)

- Use VP25 (O. D. $\phi 32$ mm, 1-1/4 inch PVC TUBE) for drain piping and provide 1/100 or more downward slope.
 - Be sure to connect the piping joints using a polyvinyl type adhesive.
 - Observe the figure for piping work.
 - Use the included drain hose to change the extraction direction.
- | | |
|---------------------------------------|-----------------|
| ① Correct piping | ⓐ Support metal |
| ② Wrong piping | Ⓚ Air bleeder |
| Ⓐ Insulation (9 mm, 3/8 inch or more) | Ⓛ Raised |
| Ⓑ Downward slope (1/100 or more) | Ⓜ Odor trap |

Grouped piping

- Ⓧ O. D. $\phi 32$ mm, 1-1/4 inch PVC TUBE
- Ⓨ Make it as large as possible
- Ⓩ Indoor unit
- ⓐ Make the piping size large for grouped piping.
- ⓑ Downward slope (1/100 or more)
- ⓓ O. D. $\phi 38$ mm, 1-1/2 inch PVC TUBE for grouped piping. (9 mm, 3/8 inch or more insulation)
- ⓔ Up to 500 mm, 19-11/16 inch

1. Connect the drain socket (supplied with the unit) to the drain port. (Fig. 5-6) (Affix the tube using PVC adhesive then secure it with a band.)
 2. Install a locally purchased drain pipe (PVC pipe, O.D. $\phi 32$ mm, 1-1/4 inch). (Affix the pipe using PVC adhesive then secure it with a band.)
 3. Insulate the tube and pipe. (PVC pipe, O.D. $\phi 32$ mm, 1-1/4 inch and socket)
 4. Check that drain flows smoothly.
 5. Insulate the drain port with insulating material, then secure the material with a band. (Both insulating material and band are supplied with the unit.)
- | | |
|----------------------------|--|
| Ⓐ Main unit | ⓐ Drain pipe (O.D. $\phi 32$ mm, 1-1/4 inch PVC TUBE) |
| Ⓑ Insulating material | Ⓚ Insulating material (purchased locally) |
| Ⓒ Band (large) | Ⓛ Transparent PVC pipe |
| Ⓓ Drain port (transparent) | Ⓜ O.D. $\phi 32$ mm, 1-1/4 inch PVC TUBE (Slope 1/100 or more) |
| Ⓧ Insertion margin | Ⓨ Band (small) |
| Ⓨ Matching | Ⓩ Drain socket |

6. Electrical work

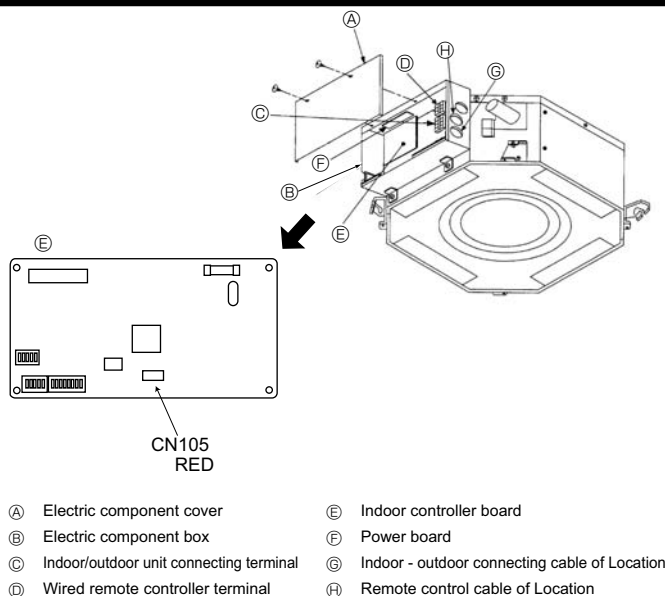


Fig. 6-1

6.1. Indoor unit (Fig. 6-1)

1. Remove 2 screws to detach the electric component cover.
2. Route each cable through the wiring intake into the electric component box. (Procure power supply cable and control cable locally.)
3. For radio frequency interface
 - Connect the electric cord of radio frequency interface securely to CN105 (RED) on indoor controller board.
- For wired remote controller
 - Securely connect the power supply cable and control cable to the terminal blocks.
4. Secure the cables with clamps outside the electric component box.
5. Attach the electric component cover as it was.
 - Do not allow slackening of the terminal screws.
 - Always install earth. (Earth cable dia: Thicker than 1.6 mm, 5/8 inch (AWG14))
 - Fix power supply cable and control cable to electric component box by using buffer bushing for tensile force. (PG connection or the like.)
 - Tape is affixed over the conduit hole used for connecting the electric wiring. Please remove this tape if making a connection through the hole.

6. Electrical work

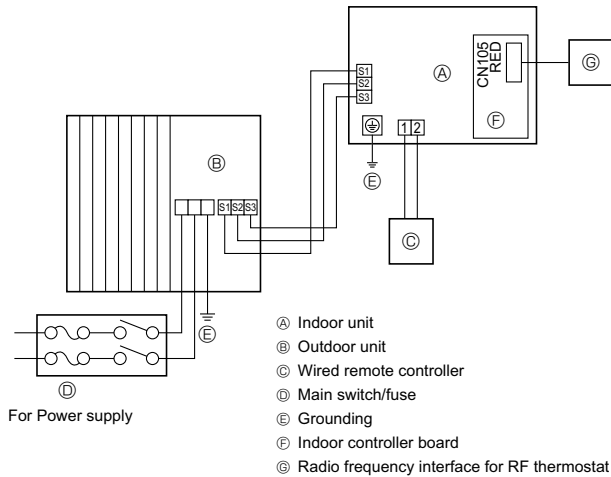


Fig. 6-2

6.1.1. Indoor unit power supplied from outdoor unit (Fig. 6-2)

The following connection patterns are available.

The outdoor unit power supply patterns vary on models.

1 : 1 System			
Indoor unit model	SLZ-KA09	SLZ-KA12	SLZ-KA15
Power supply	Single, 208/230V, 60Hz		
Min. circuit ampacity	1 A		
Fan motor (F.L.A)	0.23 A	0.28 A	
Input capacity main switch/fuse	15 A		
Wiring Wire No. x size	Indoor unit - Outdoor unit	*1	3 x AWG 14 (Polar)
	Indoor unit - Outdoor unit earth		1 x Min. AWG 16
	Wired remote controller - Indoor unit	*2	2 x AWG 22 (Non-polar)
Circuit rating	Indoor unit - Outdoor unit S1-S2	*3	AC 208/230 V
	Indoor unit - Outdoor unit S2-S3	*3	DC 24 V
	Wired remote controller - Indoor unit	*3	DC 12 V

*1 Max. 50 m, 165 ft

*2 The 10 m, 30 ft wire is attached in the wired remote controller accessory. Max. 500 m, 1500 ft.

*3 The figures are NOT always against the ground.

S3 terminal has DC24V against S2 terminal. However between S3 and S1, these terminals are not electrically be the transformer or other device.

Note:

1. Wiring size must comply with the applicable local and national code.
2. Use copper supply wires.
3. Use wires rated 600V or more for the power supply cables and the indoor unit/outdoor unit connecting cables.
4. Install an earth longer than other cables.

⚠ Caution:

- Use care not to make miswiring.
- Firmly tighten the terminal screws to prevent them from loosening.
- After tightening, pull the wires lightly to confirm that they do not move.

6.2. Remote controller

6.2.1. Wired remote controller

1) 2 remote controllers setting

If 2 remote controllers are connected, set one to "Main" and the other to "Sub". For setting procedures, refer to "Function selection of remote controller" in the operation manual for the indoor unit.

6.3. Function settings

For wired remote controller only (Fig. 6-3)

Changing the power voltage setting

- Be sure to change the power voltage setting depending on the voltage used.

- ① Go to the function setting mode.
Switch OFF the wired remote controller.
Press the (A) and (B) buttons simultaneously and hold them for at least 2 seconds. FUNCTION will start to flash.
- ② Use the (C) button to set the refrigerant address (III) to 00.
- ③ Press (D) and [-] will start to flash in the unit number (IV) display.
- ④ Use the (C) button to set the unit number (IV) to 00.
- ⑤ Press the (E) MODE button to designate the refrigerant address/unit number. [-] will flash in the mode number (I) display momentarily.
- ⑥ Press the (F) buttons to set the mode number (I) to 04.
- ⑦ Press the (G) button and the current set setting number (II) will flash.
Use the (F) button to switch the setting number in response to the power supply voltage to be used.
Power supply voltage
230 V : setting number = 1
208 V : setting number = 2
- ⑧ Press the MODE button (E) and mode and the setting number (I) and (II) will change to being on constantly and the contents of the setting can be confirmed.
- ⑨ Press the FILTER (A) and TEST RUN (B) buttons simultaneously for at least two seconds. The function selection screen will disappear momentarily and the air conditioner OFF display will appear.

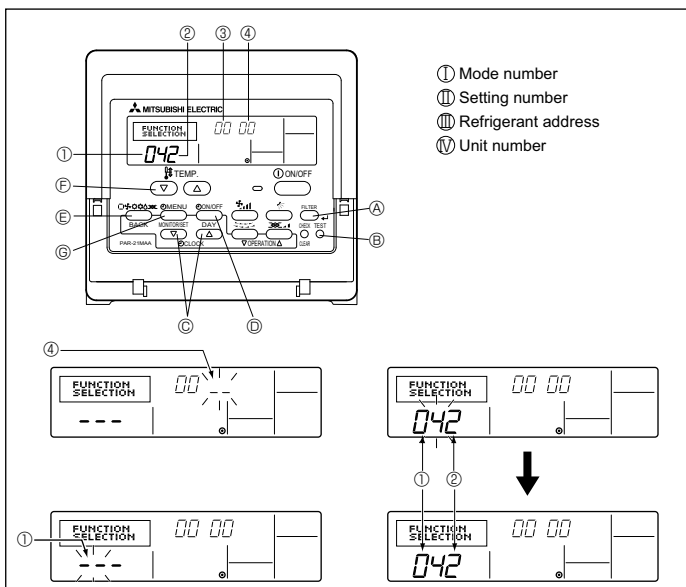


Fig. 6-3

6. Electrical work

Function table

Select unit number 00

Mode	Settings	Mode No.	Setting no.	Initial setting	Setting
		Wired remote controller (RF thermostat)			
Power failure automatic recovery (AUTO RESTART FUNCTION)	Not available	01	1		
	Available	(101)	2	○	
Indoor temperature detecting	Indoor unit operating average	02 (-)	1	○	
	Set by indoor unit's remote controller		2		
	Wired remote controller's internal sensor		3		
LOSSNAY connectivity	Not Supported	03 (103)	1	○	
	Supported (indoor unit is not equipped with outdoor-air intake)		2		
	Supported (indoor unit is equipped with outdoor-air intake)		3		
Power voltage	230 V	04	1	○	
	208 V	(104)	2		

Select unit numbers 01 to 03 or all units (AL [wired remote controller]/07 [wireless remote controller])

Mode	Settings	Mode No.	Setting no.	Initial setting	Setting
		Wired remote controller (RF thermostat)			
Filter sign	100 Hr	07 (107)	1		
	2500 Hr		2	○	
	No filter sign indicator		3		
Fan speed	Standard (PLH/PLA)/Silent (PCH/PCA)	08 (108)	1	—	
	High ceiling ① (PLH/PLA)/Standard (PCH/PCA)		2	—	
	High ceiling ② (PLH/PLA)/High ceiling (PCH/PCA)		3	—	
No. of air outlets	4 directions	09 (109)	1	—	
	3 directions		2	—	
	2 directions		3	—	
Installed options (high-performance filter)	Not supported	10 (110)	1	—	
	Supported		2	—	
Up/down vane setting	No vanes	11 (111)	1	—	
	Equipped with vanes (vanes angle setup ①)		2	—	
	Equipped with vanes (vanes angle setup ②)		3	—	

7. Installing the grille

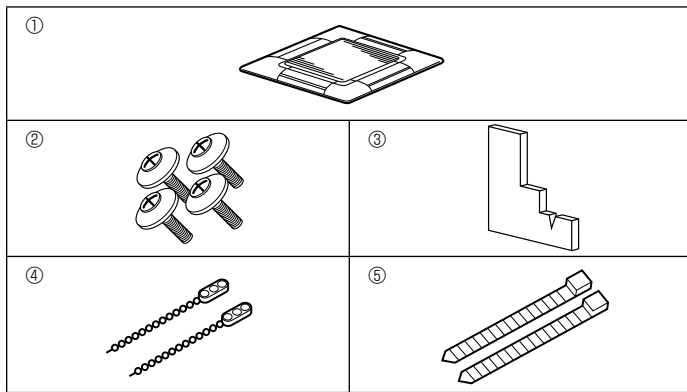


Fig. 7-1

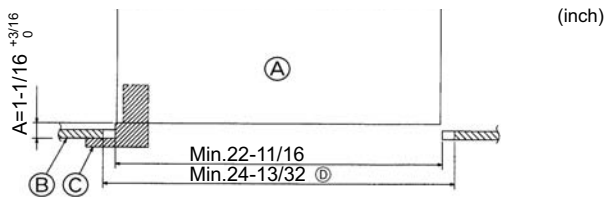


Fig. 7-2

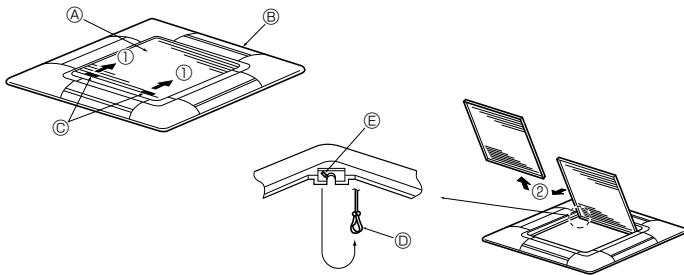


Fig. 7-3

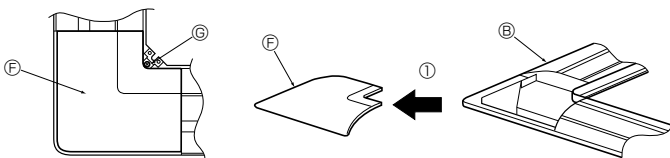


Fig. 7-4

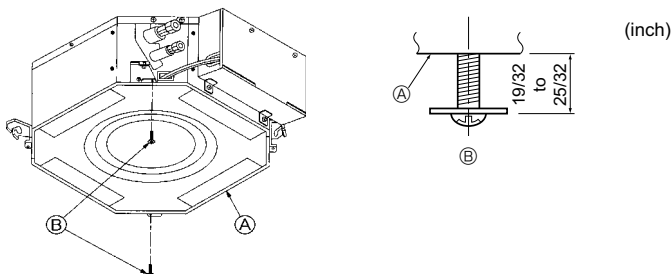


Fig. 7-5

7.1. Check the grille accessories (Fig. 7-1)

- The grille should be supplied with the following accessories.

	Accessory name	Q'ty	Remark (mm, inch)
①	Grille	1	650 × 650 , 25-19/32 × 25-19/32
②	Screw with washer	4	M5 × 0.8 × 25, M5 × 1/32 × 31/32
③	Gauge	1	
④	Fastener	2	
⑤	Band	2	

7.2. Preparing to attach the grille (Fig. 7-2)

- With the gauge supplied with this kit, adjust and check the positioning of the unit relative to the ceiling. If the unit is not properly positioned in the ceiling, there may be air leaks, condensation may form, or the up/down vanes may not operate correctly.
- Make sure that the opening in the ceiling is within the following tolerances: 576 × 576 - 620 × 620 mm, 22-11/16 × 22-11/16 inch to 24-13/32 × 24-13/32 inch.
- Make sure that step A is performed within 27-32 mm, 1-1/16 to 1-1/4 inch. Damage could result by failing to adhere to this range.

- Ⓐ Main unit
- Ⓑ Ceiling
- Ⓒ Gauge (Accessory)
- Ⓓ Ceiling opening dimensions

7.2.1. Removing the intake grille (Fig. 7-3)

- Slide the levers in the direction indicated by the arrow ① to open the intake grille.
- Unlatch the hook that secures the grille.
 - * Do not unlatch the hook for the intake grille.
- With the intake grille in the "open" position, remove the hinge of the intake grille from the grille as indicated by the arrow ②.

7.2.2. Removing the corner panel (Fig. 7-4)

- Remove the screw from the corner of the corner panel. Slide the corner panel as indicated by the arrow ① to remove the corner panel.

- Ⓐ Intake grille
- Ⓑ Grille
- Ⓒ Intake grille levers
- Ⓓ Grille hook
- Ⓔ Hole for the grille's hook
- Ⓕ Corner panel
- Ⓖ Screw

7.3. Installing the grille

- Please pay attention because there is a restriction in the attachment position of the grille.

7.3.1. Preparations (Fig. 7-5)

- Install the 2 enclosed screws with washer in the main unit (at the corner refrigerant pipe area and at the opposite corner) as shown in the diagram.

- Ⓐ Main unit
- Ⓑ Detailed diagram of installed screw with washer (accessory).

7. Installing the grille

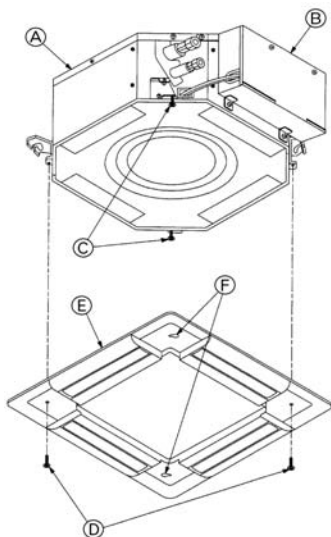


Fig. 7-6

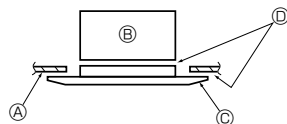


Fig. 7-7

7.3.2. Temporary installation of the grille (Fig. 7-6)

- Align the electric component box of the main unit and the receiver of the grille, and then temporarily secure the grille using the bell shaped holes.
 - * Make sure that the lead wiring of the grille does not get pinched between the grille and the main unit.

- Ⓐ Main unit
- Ⓑ Electric component box
- Ⓒ Screw with washer (for temporary use)
- Ⓓ Screw with washer (Accessory)
- Ⓔ Grille
- Ⓕ Bell shaped hole

7.3.3. Securing the grille (Fig. 7-7)

- Secure the grille to the main unit by tightening the previously installed 2 screws (with captive washer) as well as the 2 remaining screws (with captive washer).
 - * Make sure that there are no gaps between the main unit and the grille or the grille and the ceiling.

- Ⓐ Ceiling
- Ⓑ Main unit
- Ⓒ Grille
- Ⓓ Make sure that there are no gaps.

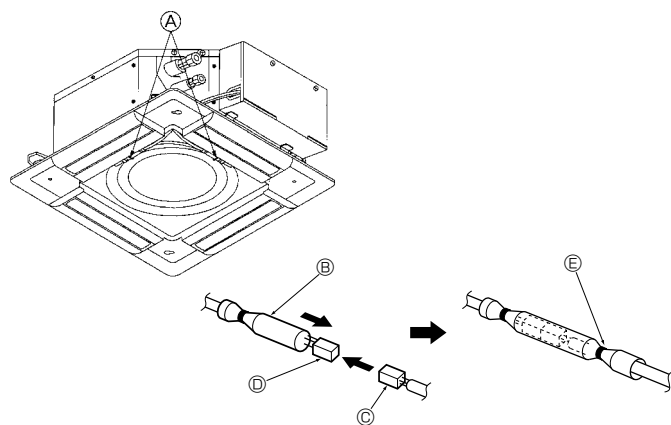


Fig. 7-8

7.3.4. Wire connection (Fig. 7-8)

- Be sure to connect the unit to the connector (white: 10-pole/red: 9-pole). Next, attach the white glass tube that comes with the main unit so that the tube covers the connector. Close the opening of the glass tube with the band.
- Make sure that there is no slack in the each lead wire at the fastener on the grille.

- Ⓐ Fastener (Accessory)
- Ⓑ White glass tube
- Ⓒ Connector of the main unit
- Ⓓ Connector of the grille
- Ⓔ Band (Accessory)

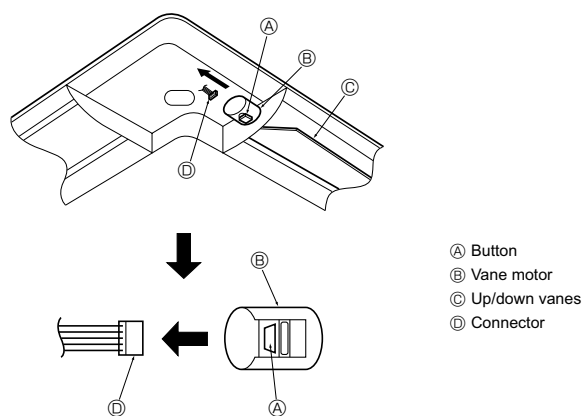


Fig. 7-9

7.4. Locking the up/down airflow direction (Fig. 7-9)

The vanes of the unit can be set and locked in on up or down orientation depending upon the environment of use.

- Set according to the preference of the customer.
 - The operation of the fixed up/down vanes and all automatic controls cannot be performed using the remote controller. In addition, the actual position of the vanes may differ from the position indicated on the wired remote controller.

- Turn off the main power switch.
 - Injuries and or an electrical shock may occur while the fan of the unit is rotating.
- Disconnect the connector for the vane motor of the vent that you want to lock.
 - (While pressing the button, remove the connector in the direction indicated by the arrow as shown in the diagram.) After removing the connector, insulate it with tape.
- To adjust the desired airflow direction, slowly move the up/down vanes within the specified range. (Fig. 7-10)

Specified range

Up/down airflow direction	Horizontal 30°	Downward 45°	Downward 55°	Downward 70°
A	21 mm 13/16 inch	25 mm 31/32 inch	28 mm 1-3/32 inch	30 mm 1-3/16 inch

- The vanes can be set between 21 and 30 mm (13/16 and 1-3/16 inch).

⚠ Caution:
Do not set the up/down vanes passed the specified range. Condensation could form on and drop from the ceiling, or the unit could malfunction.

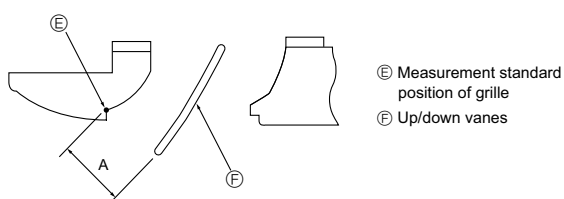


Fig. 7-10

7. Installing the grille

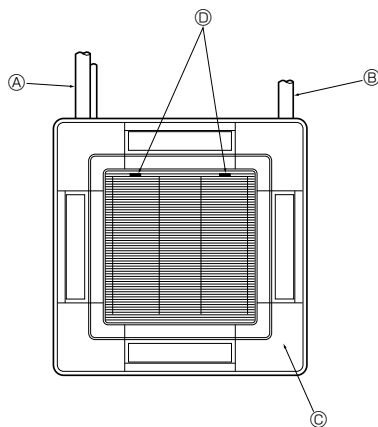


Fig. 7-11

7.5. Installing the intake grille (Fig. 7-11)

- Perform the procedure that is described in "7.2. Preparing to attach the grille" in reverse order to install the intake grille and the corner panel.

- Ⓐ Refrigerant piping of the main unit
- Ⓑ Drain piping of the main unit
- Ⓒ Corner panel
- * Installation in any position is possible.
- Ⓓ Position of the levers on the intake grille when sent from the factory.
- * Although the clips can be installed in any of four positions.

7.6. Check

- Make sure that there is no gap between the unit and the grille, or between the grille and the surface of the ceiling. If there is any gap between the unit and the grille, or between the grille and the surface of the ceiling, it may cause dew to collect.
- Make sure that the wires have been securely connected.

8. Test run

8.1. Before test run

- After installation of indoor and outdoor units, and piping and electric wiring work, recheck that the unit is free from leaks of refrigerant, loosened connections, and incorrect polarity.
- Measure an impedance between the power supply terminal block (L, N, ⊕) on the units and the ground with a 500 V Megger and check that it is equal to or greater than 1.0 MΩ.

8.2. Test run

- Refer to the installation manual that comes with each remote controller for details.

8.3. Self-check

- Refer to the installation manual that comes with each remote controller for details.
- RF thermostat is not established.

Errors detected by indoor unit

Wired remote controller RF thermostat Check code	Symptom	Remark
P1	Intake sensor error	
P2	Pipe (TH2) sensor error	
P9	Pipe (TH5) sensor error	
E6, E7	Indoor/outdoor unit communication error	
P4	Drain sensor error	
P5	Drain pump error	
PA	Forced compressor error	
P6	Freezing/Overheating safeguard operation	
EE	Communication error between indoor and outdoor units	
P8	Pipe temperature error	
E4	Remote controller signal receiving error	
Fb	Indoor unit control system error (memory error, etc.)	

Errors detected by unit other than indoor unit (outdoor unit, etc.)

Wired remote controller RF thermostat Check code	Symptom	Remark
E9	Indoor/outdoor unit communication error (Transmitting error) (Outdoor unit)	For details, check the LED display of the outdoor controller board.
UP	Compressor overcurrent interruption	
U3, U4	Open/short of outdoor unit thermistors	
UF	Compressor overcurrent interruption (When compressor locked)	
U2	Abnormal high discharging temperature/49C worked/insufficient refrigerant	
U1, Ud	Abnormal high pressure (63H worked)/Overheating safeguard operation	
U5	Abnormal temperature of heat sink	
U8	Outdoor unit fan safeguard stop	
U6	Compressor overcurrent interruption/Abnormal of power module	
U7	Abnormality of super heat due to low discharge temperature	
U9, UH	Abnormality such as overvoltage or voltage shortage and abnormal synchronous signal to main circuit/Current sensor error	

8. Test run

- On wired remote controller
Check code displayed in the LCD.
- If the unit cannot be operated properly after the above test run has been performed, refer to the following table to remove the cause.

Symptom		Cause
Wired remote controller/ RF thermostat		
PLEASE WAIT	For about 2 minutes following power-on	• For about 2 minutes following power-on, operation of the remote controller is not possible due to system start-up. (Correct operation)
PLEASE WAIT → Error code	After about 2 minutes has expired following power-on	• Connector for the outdoor unit's protection device is not connected.
Display messages do not appear even when operation switch is turned ON		• Reverse or open phase wiring for the outdoor unit's power terminal block • Incorrect wiring between indoor and outdoor units (incorrect polarity of S1, S2, S3) • Remote controller wire short

Note:

Operation is not possible for about 30 seconds after cancellation of function selection. (Correct operation)

For description of each LED (LED1, 2, 3) provided on the indoor controller, refer to the following table.

LED1 (power for microcomputer)	Indicates whether control power is supplied. Make sure that this LED is always lit.
LED2 (power for wired remote controller)	Indicates whether power is supplied to the wired remote controller.
LED3 (communication between indoor and outdoor units)	Indicates state of communication between the indoor and outdoor units. Make sure that this LED is always blinking.

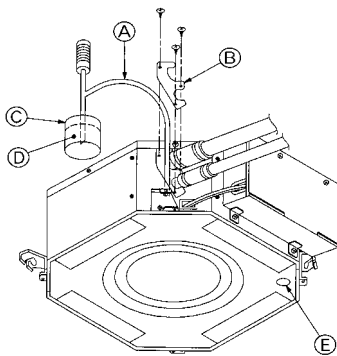


Fig. 8-1

8.4. Check drainage (Fig. 8-1)

- During the test run, ensure the water is being properly drained out and that no water is leaking from joints.
 - Always check this during installation even if the unit is not required to provide cooling/drying at that time.
 - Similarly, check the drainage before finishing ceiling installation in a new premises.
- (1) Remove the cover of the water supply inlet and add about 1000 cc, 1/4 gal of water using a water supply pump etc. During this process, be careful not to spray water into the drain pump mechanism.
 - (2) Confirm that water is being drained out through the drainage outlet, after switching over from remote control mode to test run mode (cooling mode).
 - (3) After checking the drainage, ensure that the cover is replaced and the power supply is isolated.
 - (4) After confirming the drainage system is functioning, replace the drain plug.
- | | |
|---|--------------|
| Ⓐ Insert the pump end 3 to 5 cm, 1-3/16 to 2 inch | Ⓓ Water |
| Ⓑ Cover of water supply inlet | Ⓔ Drain plug |
| Ⓒ About 1000 cc, 1/4 gal | |

1. Consignes de sécurité.....	14	5. Tuyau de réfrigérant et tuyau de drainage	18
2. Choisir l'emplacement de l'installation	15	6. Installations électriques.....	19
3. Schéma d'installation	15	7. Installer la grille	22
4. Installation de l'appareil intérieur.....	15	8. Marche d'essai	24

1. Consignes de sécurité

- ▶ **Avant d'installer le climatiseur, lire attentivement toutes les "Consignes de sécurité".**
- ▶ **Veillez consulter ou obtenir l'autorisation de votre compagnie d'électricité avant de connecter votre système.**

⚠ Avertissement:

Précautions à suivre pour éviter tout danger de blessure ou de décès de l'utilisateur.

⚠ Précaution:

Décrit les précautions qui doivent être prises pour éviter d'endommager l'appareil.

⚠ Avertissement:

- Contacter un revendeur ou un technicien agréé pour installer l'appareil.
- Pour l'installation, respecter les instructions du manuel d'installation et utiliser des outils et des composants de tuyau spécialement conçus pour une utilisation avec le réfrigérant spécifié dans le manuel d'installation de l'appareil extérieur.
- L'appareil doit être installé conformément aux instructions pour réduire les risques de dommages liés à des tremblements de terre, des typhons ou des vents violents. Une installation incorrecte peut entraîner la chute de l'appareil et provoquer des dommages ou des blessures.
- L'appareil doit être solidement installé sur une structure pouvant supporter son poids.
- Si le climatiseur est installé dans une petite pièce, certaines mesures doivent être prises pour éviter que la concentration de réfrigérant ne dépasse le seuil de sécurité en cas de fuite. En cas de fuite de réfrigérant et de dépassement du seuil de concentration, des risques liés au manque d'oxygène dans la pièce peuvent survenir.

1.1. Avant l'installation (Environnement)

⚠ Précaution:

- Ne pas utiliser l'appareil dans un environnement inhabituel. Si le climatiseur est installé dans des endroits exposés à la vapeur, à l'huile volatile (notamment l'huile de machine), au gaz sulfurique ou à une forte teneur en sel, par exemple, en bord de mer, les performances peuvent considérablement diminuer et les pièces internes de l'appareil être endommagées.
- Ne pas installer l'appareil dans des endroits où des gaz de combustion peuvent s'échapper, se dégager ou s'accumuler. L'accumulation de gaz de combustion autour de l'appareil peut provoquer un incendie ou une explosion.
- Ne pas placer d'aliments, de plantes, d'animaux en cage, d'objets d'art ou d'instruments de précision dans la soufflerie d'air direct de l'appareil intérieur ou à proximité de l'appareil au risque de les endommager par des variations de température ou des gouttes d'eau.

1.2. Avant l'installation ou le déplacement

⚠ Précaution:

- Transporter les appareils avec précaution. L'appareil doit être transporté par au moins deux personnes, car il pèse 20 kg, 44 lbs minimum. Ne pas le saisir par les rubans d'emballage. Porter des gants de protection en raison du risque de se blesser les mains sur les ailettes ou d'autres pièces.
- Veiller à éliminer le matériel d'emballage en toute sécurité. Le matériel d'emballage (clous et autres pièces en métal ou en bois) peut provoquer des blessures.
- Isoler le tuyau de réfrigérant pour éviter la condensation. S'il n'est pas correctement isolé, de la condensation risque de se former.

1.3. Avant l'installation électrique

⚠ Précaution:

- Veiller à installer des coupe-circuits. Dans le cas contraire, un choc électrique peut se produire.
- Pour les lignes électriques, utiliser des câbles standard de capacité suffisante. Dans le cas contraire, un court-circuit, une surchauffe ou un incendie peut se produire.
- Lors de l'installation des lignes électriques, ne pas mettre les câbles sous tension.

1.4. Avant la marche d'essai

⚠ Précaution:

- Activer l'interrupteur principal au moins 12 heures avant la mise en fonctionnement de l'appareil. L'utilisation de l'appareil juste après sa mise sous tension peut endommager sérieusement les pièces internes.
- Avant d'utiliser l'appareil, vérifier que tous les panneaux, toutes les protections et les autres pièces de sécurité sont correctement installés. Les pièces tournantes, chaudes ou à haute tension peuvent provoquer des blessures.
- Ne pas utiliser le climatiseur si le filtre à air n'est pas installé. Sinon, des poussières peuvent s'accumuler et endommager l'appareil.

Une fois l'installation terminée, expliquer les "Consignes de sécurité", l'utilisation et l'entretien de l'appareil au client conformément aux informations du mode d'emploi et effectuer l'essai de fonctionnement en continu pour garantir un fonctionnement normal. Le manuel d'installation et le mode d'emploi doivent être fournis à l'utilisateur qui doit les conserver. Ces manuels doivent également être transmis aux nouveaux utilisateurs.

⚡ : Indique un élément qui doit être mis à la terre.

⚠ Avertissement:

Prendre soin de lire les étiquettes se trouvant sur l'appareil principal.

- Aérer la pièce en cas de fuite de réfrigérant lors de l'utilisation. Le contact du réfrigérant avec une flamme peut provoquer des émanations de gaz toxiques.
- Tout travail sur les installations électriques doit être effectué par un technicien qualifié conformément aux réglementations locales et aux instructions fournies dans ce manuel.
- N'utiliser que les câbles spécifiés pour les raccordements.
- Le couvercle du bloc de sortie de l'appareil doit être solidement fixé.
- N'utiliser que les accessoires agréés par Mitsubishi Electric et contacter un revendeur ou un technicien agréé pour les installer.
- L'utilisateur ne doit jamais essayer de réparer ou de déplacer l'appareil.
- Une fois l'installation terminée, vérifier les éventuelles fuites de réfrigérant. Si le réfrigérant fuit dans la pièce et entre en contact avec la flamme d'un chauffage ou d'une cuisinière, des gaz toxiques peuvent se dégager.

- Si l'humidité ambiante dépasse 80% ou si le tuyau d'écoulement est bouché, des gouttes d'eau peuvent tomber de l'appareil intérieur. Ne pas installer l'appareil intérieur dans un endroit où ces gouttes peuvent provoquer des dommages.
- Lors de l'installation de l'appareil dans un hôpital ou un centre de communications, se préparer au bruit et aux interférences électroniques. Les inverseurs, les appareils électroménagers, les équipements médicaux haute fréquence et de communications radio peuvent provoquer un dysfonctionnement ou une défaillance du climatiseur. Le climatiseur peut également endommager les équipements médicaux et de communications, perturbant ainsi les soins et réduisant la qualité d'affichage des écrans.

- Placer un isolant thermique sur les tuyaux pour éviter la condensation. L'installation incorrecte du tuyau d'écoulement peut provoquer des fuites d'eau et endommager le plafond, le sol, les meubles ou d'autres objets.
- Ne pas nettoyer le climatiseur à l'eau au risque de provoquer un choc électrique.
- Serrer tous les écrous évasés conformément aux spécifications à l'aide d'une clé dynamométrique. S'ils sont trop serrés, ils peuvent casser après une période prolongée.

- Veiller à mettre l'appareil à la terre. Une mise à la terre incorrecte de l'appareil peut provoquer un choc électrique.
- Utiliser des coupe-circuits (disjoncteur de fuite à la terre, interrupteur d'isolement (fusible +B) et disjoncteur à boîtier moulé) à la capacité spécifiée. Si la capacité du coupe-circuit est supérieure à celle spécifiée, une défaillance ou un incendie peut se produire.

- Ne pas toucher les interrupteurs les mains humides au risque de provoquer un choc électrique.
- Ne pas toucher les tuyaux de réfrigérant les mains nues lors de l'utilisation.
- A la fin de l'utilisation de l'appareil, attendre au moins cinq minutes avant de désactiver l'interrupteur principal. Dans le cas contraire, une fuite d'eau ou une défaillance peut se produire.

2. Choisir l'emplacement de l'installation

2.1. Appareil intérieur

- Emplacement ne favorisant pas la circulation d'air.
- Emplacement favorisant une bonne répartition de l'air froid dans la pièce.
- Emplacement ne favorisant pas une exposition directe au soleil.
- Éloigner d'au moins 1 m, 3 ft de votre téléviseur ou d'un appareil radio (pour éviter une déformation d'image ou des parasites).
- Emplacement permettant d'obtenir un éloignement suffisant d'une lampe fluorescente ou de tout autre dispositif d'éclairage à ampoule (la proximité de ces dispositifs entravent la réception des signaux de commande du boîtier de télécommande et empêche le climatiseur de fonctionner normalement).
- Emplacement permettant de retirer facilement le filtre à air vers le bas.

⚠ Avertissement:
Fixer l'appareil intérieur dans un plafond suffisamment résistant pour supporter son poids.

3. Schéma d'installation

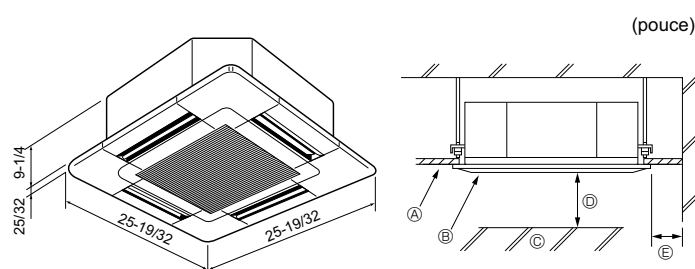


Fig. 3-1

3.1. Appareil intérieure (Fig. 3-1)

- Ⓐ Plafond
 - Ⓑ Grille
 - Ⓒ Obstacle
 - Ⓓ Min. 1000 mm, 40 pouce
 - Ⓔ Min. 500 mm, 20 pouce (Toute la périphérie)
- Lors de la définition de l'espace de maintenance pour Ⓔ, veiller à laisser au moins 700 mm, 28 pouce.

⚠ Avertissement:
Fixer l'appareil intérieur à un plafond suffisamment résistant pour supporter son poids.

3.2. Appareil extérieur

Consulter le manuel d'installation de l'appareil extérieur.

4. Installation de l'appareil intérieur

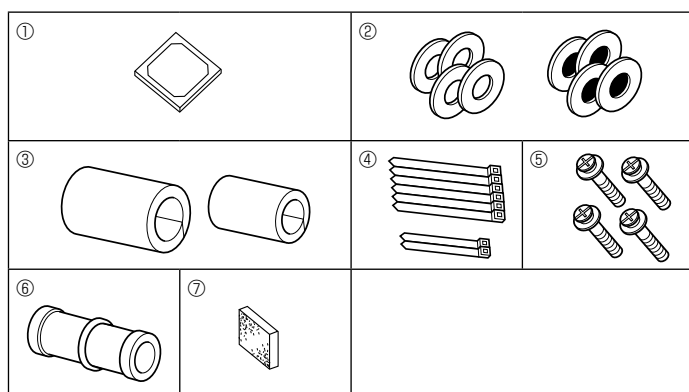


Fig. 4-1

4.1. Vérifier les accessoires qui accompagnent l'appareil intérieur (Fig. 4-1)

L'appareil intérieur doit être livré avec les accessoires suivants:

	Nom de l'accessoire	Qté
①	Schéma d'installation	1
②	Rondelles (avec isolation)	4
	Rondelles (sans isolation)	4
③	Cache-tuyaux (pour le raccord des tuyaux de réfrigérant) petit diamètre (liquide)	1
	grand diamètre (gaz)	1
④	Courroie (grands)	6
	Courroie (petits)	2
⑤	Vis avec rondelle (M5 x 25) pour monter la grille	4
⑥	Prise d'écoulement	1
⑦	Isolation	1

4. Installation de l'appareil intérieur

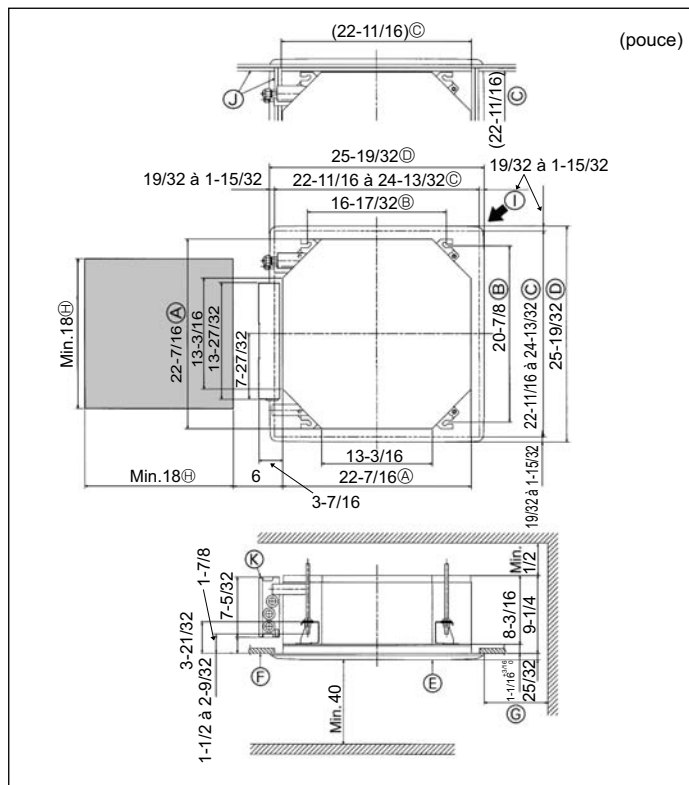


Fig. 4-2

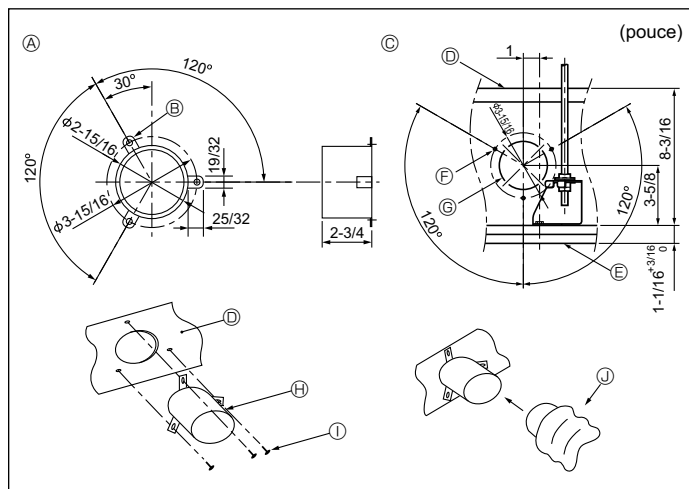


Fig. 4-3

4.2. Ouvertures dans le plafond et emplacement des boulons de suspension (Fig. 4-2)

• Utiliser le schéma d'installation (dans le haut du colis) et le gabarit (fourni comme accessoire avec la grille) pour créer une ouverture dans le plafond de sorte à pouvoir installer l'appareil principal comme illustré sur le schéma. (Les méthodes d'utilisation du schéma et du gabarit sont indiquées également.)

* Avant toute utilisation, vérifier les dimensions du schéma et du gabarit car celles-ci peuvent changer en fonction de la température et de l'humidité.

* Les dimensions de l'ouverture dans le plafond peuvent être définies au sein de la plage indiquée dans le diagramme suivant; centrer l'appareil principal par rapport à l'ouverture dans le plafond, en veillant à la symétrie de chaque côté par rapport à l'orifice.

• Utiliser des boulons de suspension M10 (3/8").

* L'acquisition des boulons de suspension doit se faire localement.

• Installer l'appareil de manière sûre, en veillant à ce qu'il n'y ait pas de vide entre le panneau du plafond et la grille ni entre l'appareil principal et la grille.

Ⓐ Partie extérieure de l'appareil principal	Ⓒ Min. 500 mm, 20 pouce (Toute la périphérie)
Ⓑ Ecartement entre les boulons	Lors de la définition de l'espace de maintenance pour
Ⓓ Ouverture dans le plafond	Ⓔ, veiller à laisser au moins 700 mm, 28 pouce.
Ⓔ Partie extérieure de la grille	Ⓕ Espace de maintenance
Ⓖ Grille	Ⓖ Prise d'air frais
Ⓕ Plafond	Ⓙ Angle
	Ⓚ Boîtier des composants électriques

* Ne pas oublier que l'espace laissé entre le panneau de l'appareil côté plafond et le pan de plafond, etc. doit être de 10 à 15 mm, 3/8 à 9/16 pouce.

* Laisser l'espace de maintenance à l'extrémité du boîtier des composants électriques.

4.3. Installation des conduits (en cas d'aspiration d'air frais) (Fig. 4-3)

⚠ Précaution:

Raccordement du ventilateur des conduits et du climatiseur

Lors de l'utilisation d'un ventilateur pour conduit, veiller à le raccorder au climatiseur en cas d'aspiration d'air extérieur.

Ne jamais faire fonctionner le ventilateur du conduit seul. Il pourrait provoquer des gouttes de condensation.

Évasement d'un conduit (à effectuer sur place)

• Nous recommandons la forme d'évasement du conduit illustrée à gauche.

Mise en place du conduit évasé

• Découper l'orifice à dégager. Ne pas pousser dessus pour le dégager.
• Installer un conduit évasé sur l'orifice à découper de l'appareil intérieur, à l'aide de trois vis 4 × 10 mm, 4 × 1/2 pouce à préparer sur place.

Installation du conduit (à effectuer sur place)

• Préparer un conduit dont le diamètre interne s'insère dans le diamètre externe du conduit évasé.
• Si l'environnement situé au-dessus du plafond présente des températures élevées et un haut degré d'humidité, envelopper le conduit de protection thermique pour éviter la chute de gouttes de condensation sur le mur.

Ⓐ Forme recommandée pour l'évasement du conduit (épaisseur: 0,8 mm, 1/32 pouce ou plus)	Ⓕ Orifice 3-ø2,8 mm, ø1/8 pouce
Ⓑ Orifice 3-ø5 mm, ø3/16 pouce	Ⓖ Orifice à découper ø73,4 mm, ø2-7/8 pouce
Ⓒ Schéma détaillé de la prise d'air extérieur	Ⓖ Conduit évasé (à effectuer sur place)
Ⓓ Appareil intérieur	Ⓙ Vis 4 × 10 mm, ø4 × 1/2 pouce (à se procurer sur place)
Ⓔ Surface du plafond	Ⓚ Conduit

4. Installation de l'appareil intérieur

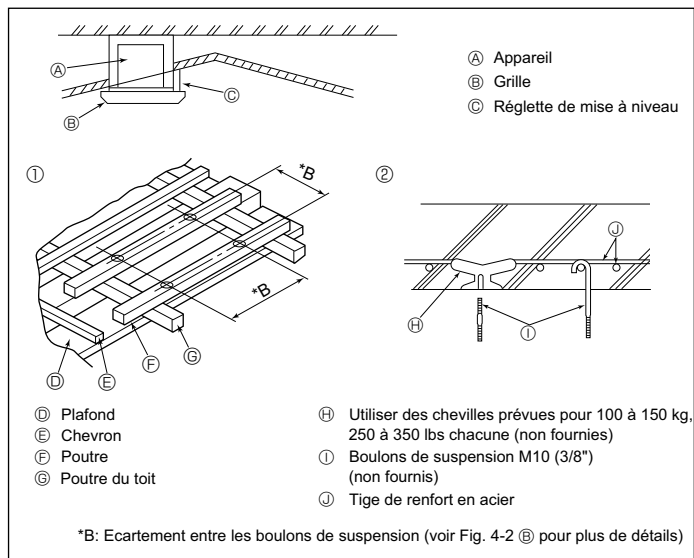


Fig. 4-4

4.4. Structure de suspension (Construire une structure renforcée à l'endroit de suspension de l'appareil) (Fig. 4-4)

- Les travaux à effectuer au plafond varient en fonction du type d'édifice. Il convient de consulter les constructeurs et les décorateurs du bâtiment pour plus de détails.
- (1) Étendue de la découpe dans le plafond: Le plafond doit être parfaitement à l'horizontale et ses fondations (encadrement: linteaux de bois ou supports de linteaux) doivent être renforcées afin d'éviter qu'il ne vibre.
- (2) Découper et déposer les fondations du plafond.
- (3) Renforcer les extrémités de la fondation du plafond à l'endroit de la découpe et ajouter une fondation de renfort pour assurer les extrémités des traverses du plafond.
- (4) Lors de l'installation de l'appareil sur un plafond incliné, installer une réglette de mise à niveau entre le plafond et la grille de telle sorte que l'appareil soit à l'horizontale.

① Structures en bois

- Utiliser les tirants (pour les maisons de plain-pied) ou les poutres de l'étage (pour les maisons à étage) comme renforts.
- Les poutres en bois devant servir à soutenir les climatiseurs doivent être robustes et leurs côtés doivent avoir au moins 6 cm, 2-3/8 pouce de long si les poutres sont séparées d'un intervalle de maximum 90 cm, 35-7/16 pouce ou ils doivent avoir 9 cm, 3-9/16 pouce de long si les poutres sont séparées par un intervalle allant jusqu'à 180 cm, 70-7/18 pouce. Les boulons de suspension doivent avoir $\varnothing 10$ mm, 3/8 pouce. de diamètre (3/8"). (Ces boulons ne sont pas livrés avec l'appareil.)

② Structures en béton armé

Fixer les boulons de suspension à l'aide de la méthode illustrée ou utiliser des chevilles en acier ou en bois, etc. pour installer les boulons de suspension.

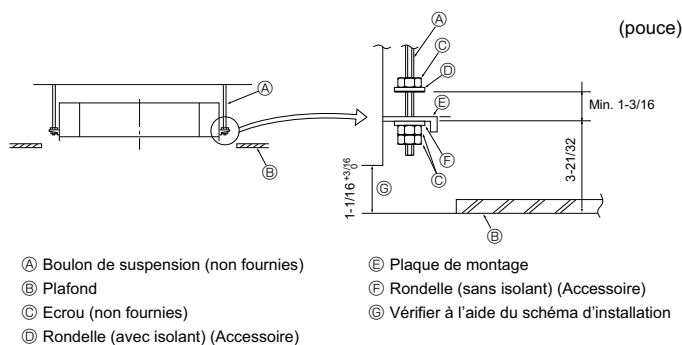


Fig. 4-5

4.5. Méthodes de suspension de l'appareil (Fig. 4-5)

Suspendre l'appareil principal comme indiqué sur le diagramme.

- Poser à l'avance les éléments sur les boulons de suspension dans l'ordre rondelles (avec isolant), rondelles (sans isolant) et écrous (double).
 - Placer la rondelle avec isolant de telle sorte que la partie isolante soit tournée vers le bas.
 - En cas d'utilisation de rondelles supérieures pour suspendre l'appareil principal, les rondelles inférieures (avec isolant) et les écrous (doubles) doivent être installés postérieurement.
- Lever l'appareil à la hauteur adéquate des boulons de suspension pour introduire la plaque de montage entre les rondelles et la serrer convenablement.
- Lorsque l'appareil principal ne peut pas être aligné contre l'orifice de montage au plafond, il est possible de le régler par une fente prévue sur la plaque de montage. (Fig. 4-6)
 - S'assurer que le point A s'effectue dans une fourchette allant de 27^{+5}_0 mm, $1-1/16^{+3/16}$ pouce. Le non respect de cette marge pourrait être à l'origine de certains dégâts.

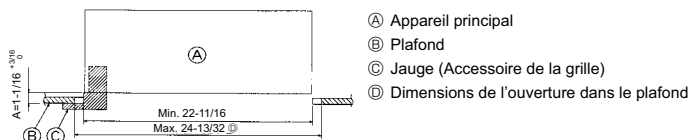


Fig. 4-6

4.6. Confirmer l'emplacement de l'appareil principal et serrer les boulons de suspension (Fig. 4-7)

- A l'aide du gabarit fixé à la grille, s'assurer que le bas de l'appareil est aligné par rapport à l'ouverture dans le plafond. Veiller à bien vérifier ce point sinon des gouttes de condensation dues aux fuites d'air, etc. risquent de tomber.
- A l'aide d'un niveau ou d'un tube en vinyle rempli d'eau, vérifier que l'appareil principal soit bien à l'horizontale.
- Lorsque la bonne position de l'appareil principal est définie avec certitude, serrer convenablement les écrous des boulons de suspension pour le fixer.
- Le schéma d'installation peut servir de feuille protectrice pour empêcher la poussière de pénétrer à l'intérieur de l'appareil lorsque les grilles doivent rester enlevées pendant un certain temps ou si le recouvrement du plafond doit être remis en place ou ré-égalisé après l'installation de l'appareil.

* Pour plus de détails concernant le montage, veuillez vous reporter aux instructions du schéma d'installation.

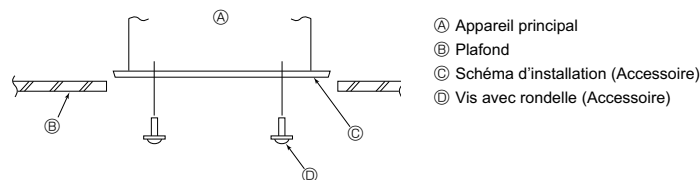


Fig. 4-7

5. Tuyau de réfrigérant et tuyau de drainage

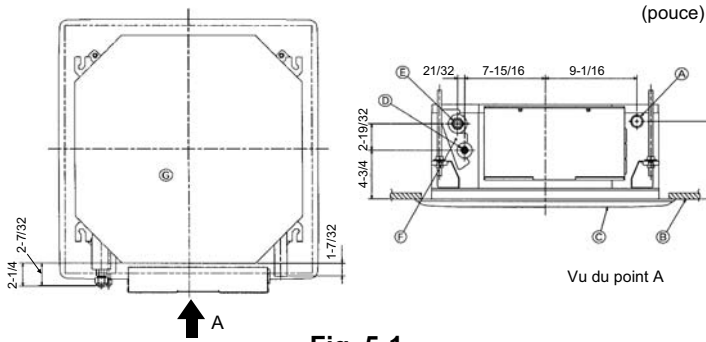


Fig. 5-1

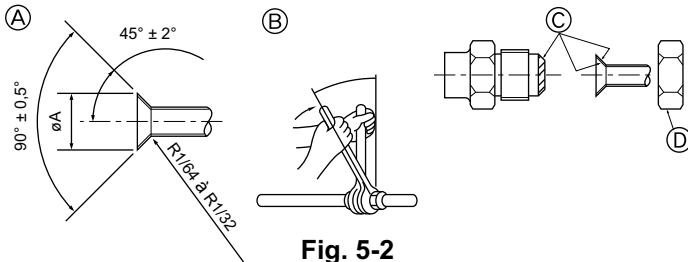


Fig. 5-2

(A) Dimension de l'évasement

Diam. ext. Tuyau en cuivre (mm, pouce)	Dimensions évasement	
	Dimensions ϕA (mm, pouce)	
$\phi 6,35$, 1/4"	8,7 à 9,1	11/32 à 23/64
$\phi 9,52$, 3/8"	12,8 à 13,2	1/2 à 33/64
$\phi 12,7$, 1/2"	16,2 à 16,6	41/64 à 21/32

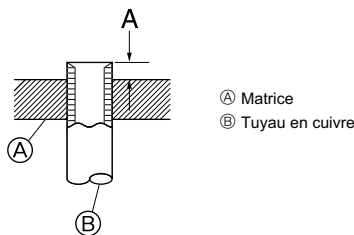
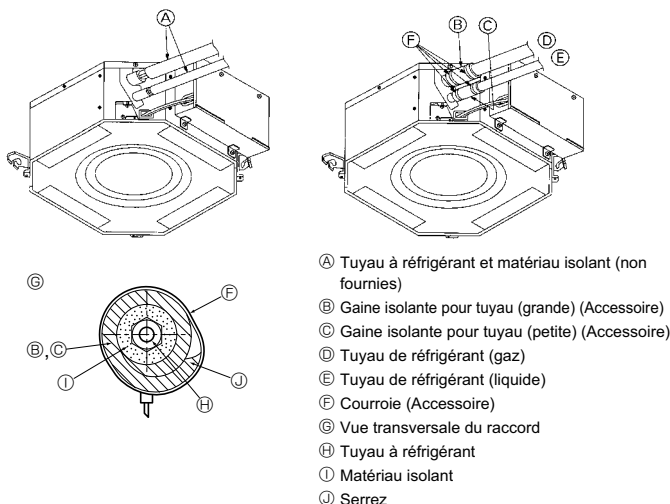


Fig. 5-3

Diam. ext. Tuyau en cuivre (mm, pouce)	A	
	Outil d'évasement pour le R410A	
	Type embrayage (mm, pouce)	
$\phi 6,35$, 1/4"	0 à 0,5	0 à 1/64
$\phi 9,52$, 3/8"	0 à 0,5	0 à 1/64
$\phi 12,7$, 1/2"	0 à 0,5	0 à 1/64



- (A) Tuyau à réfrigérant et matériau isolant (non fournies)
- (B) Gaine isolante pour tuyau (grande) (Accessoire)
- (C) Gaine isolante pour tuyau (petite) (Accessoire)
- (D) Tuyau de réfrigérant (gaz)
- (E) Tuyau de réfrigérant (liquide)
- (F) Courroie (Accessoire)
- (G) Vue transversale du raccord
- (H) Tuyau à réfrigérant
- (I) Matériau isolant
- (J) Serrez

Fig. 5-4

5.1. Emplacement des tuyaux de réfrigérant et d'écoulement de l'appareil intérieur (Fig. 5-1)

- (A) Tuyau d'évacuation
- (B) Plafond
- (C) Grille
- (D) Tuyau de réfrigérant (liquide)
- (E) Tuyau de réfrigérant (gaz)
- (F) Arrivée d'eau
- (G) Appareil principal

5.2. Connexion des tuyaux (Fig. 5-2)

- En cas d'utilisation de tuyaux en cuivre disponibles sur le marché, envelopper les tuyaux de liquide et de gaz avec de la matière isolante vendue dans le commerce sur le marché (résistant à une chaleur de 100°C, 212°F ou supérieure et d'une épaisseur de 12 mm, 1/2 pouce ou plus).
- Les parties intérieures du tuyau d'écoulement doivent également être entourées de matière isolante en mousse de polyéthylène (avec une poids spécifique de 0,03 et de 9 mm, 23/64 pouce d'épaisseur ou plus).
- Appliquer un film mince d'huile réfrigérante sur la surface du tuyau et du support du joint avant de serrer l'écrou évasé.
- Utiliser deux clés pour serrer les connexions des tuyaux.
- Utiliser la matière isolante des tuyaux de réfrigérant fournie afin d'envelopper les connexions des appareils intérieurs. Effectuer l'isolation avec soin.

(B) Couple de serrage du raccord conique

D.E. tuyau en cuivre		D.E. écrou évasé		Couple de serrage	
mm	pouce	mm	pouce	N·m	ft - lbs
6,35	1/4	17	43/64	13,7 à 17,7	10 à 13
9,52	3/8	22	7/8	34,3 à 41,2	25 à 30
12,7	1/2	26	1-1/32	49,0 à 56,4	36 à 42

- (C) Ne pas appliquer d'huile pour machine frigorifique sur les parties filetées. (Cela augmente le risque de desserrage des écrous évasés.)
- (D) Veiller à utiliser les écrous évasés fournis avec l'unité principale. (Les produits du commerce risquent de se fissurer.)
- (E) Appliquer de l'huile pour machine frigorifique sur toute la surface d'appui évasée.

5.3. Appareil intérieur (Fig. 5-4)

Isolation des tuyaux de réfrigérant contre la chaleur:

- ① Enrouler le cache-tuyaux de grande dimension fourni autour du tuyau de gaz, en s'assurant que l'extrémité du cache-tuyaux touche le côté de l'appareil.
 - ② Enrouler le cache-tuyaux de petite dimension fourni autour du tuyau de liquide, en s'assurant que l'extrémité du cache-tuyaux touche le côté de l'appareil.
 - ③ Fixer les deux extrémités de chaque cache-tuyaux à l'aide des bandes fournies. (Attacher les bandes à 20 mm, 25/32 pouce des extrémités des cache-tuyaux.)
- Après le raccordement du tuyau de réfrigérant à l'appareil intérieur, vérifier toutes les connexions et s'assurer qu'il n'y a pas de fuite de gaz en envoyant de l'azote à l'état gazeux dans les tuyaux (Vérifier qu'il n'y a pas de fuite de réfrigérant au niveau du tuyau de réfrigérant connecté à l'appareil intérieur.).

5. Tuyau de réfrigérant et tuyau de drainage

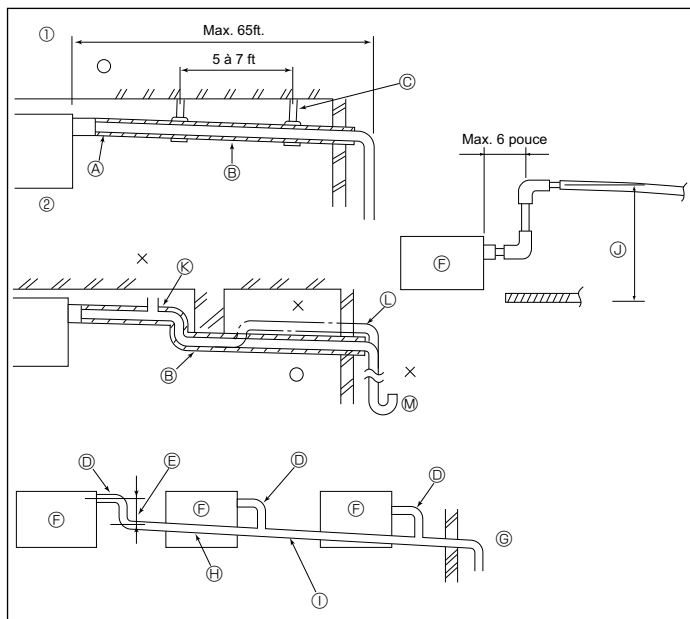


Fig. 5-5

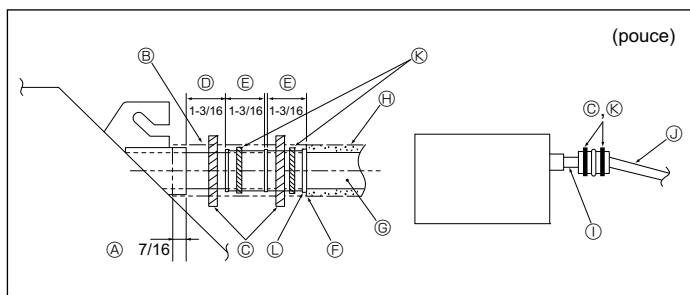


Fig. 5-6

5.4. Mise en place du tuyau d'écoulement (Fig. 5-5)

- Utiliser un tuyau VP25 (en PVC, D.E. $\varnothing 32$ mm, 1-1/4 pouce) pour les tuyaux d'écoulement et prévoir une pente d'1% ou plus.
- Toujours veiller à raccorder les joints des tuyauteries à l'aide d'adhésif de type polyvinyle.
- Se baser sur le schéma pour les travaux de mise en place des tuyaux.
- Utiliser le tuyau d'écoulement livré pour modifier le sens d'évacuation.

- | | |
|-------------------------------------|----------------------|
| ① Tuyautage correct | ⓐ Support métallique |
| ② Tuyautage erroné | ⓑ Soufflerie d'air |
| Ⓐ Isolant (9 mm, 3/8 pouce ou plus) | ⓒ Soulevé |
| Ⓑ Pente descendante (1/100 ou plus) | ⓓ Trappe à odeurs |

Mise en place groupée des tuyaux

- ⓔ Tube en PVC de D.E. $\varnothing 32$ mm, 1-1/4 pouce
- ⓕ Passage aussi long que possible.
- ⓕ Appareil intérieur
- ⓖ Prévoir un orifice suffisamment grand pour la mise en place groupée des tuyaux.
- ⓗ Pente descendante (1/100 ou plus)
- ① Tube en PVC, D.E. $\varnothing 38$ mm, 1-1/2 pouce pour la mise en place groupée des tuyaux. (isolant de 9 mm, 3/8 pouce ou plus)
- ⓙ Jusqu'à 500 mm, 19-11/16 pouce

1. Raccorder la prise d'écoulement (fourni avec l'appareil) au port de drainage. (Fig. 5-6)

(Apposer le tube à l'aide de ruban adhésif en PVC puis le fixer avec une sangle.)

2. Installer un tuyau de drainage à se procurer sur place (tuyau en PVC, D.E. $\varnothing 32$ mm, 1-1/4 pouce). (Apposer le tuyau à l'aide de ruban adhésif en PVC puis le fixer avec une sangle.)

3. Isoler le tube et le tuyau. (Tuyau en PVC, D.E. $\varnothing 32$ mm, 1-1/4 pouce et prise)

4. Vérifier si le drainage s'effectue normalement, de manière régulière.

5. Isoler le port de drainage avec de la matière isolante, puis l'attacher avec une sangle. (La matière isolante et la sangle sont toutes deux livrées avec l'appareil.)

- | | |
|----------------------------------|---|
| Ⓐ Appareil principal | ⓖ Tuyau de drainage (Tuyau en PVC, D.E. $\varnothing 32$ mm, 1-1/4 pouce) |
| Ⓑ Matière isolante | ⓗ Matière isolante (à se procurer sur place) |
| Ⓒ Courroie (grands) | ⓙ Tuyau en PVC transparent |
| Ⓓ Port de drainage (transparent) | ⓚ Tuyau en PVC, D.E. $\varnothing 32$ mm, 1-1/4 pouce (Avec une pente minimum de 1/100) |
| ⓔ Marge d'insertion | ⓓ Courroie (petits) |
| ⓕ Correspondance | ⓓ Prise d'écoulement |

6. Installations électriques

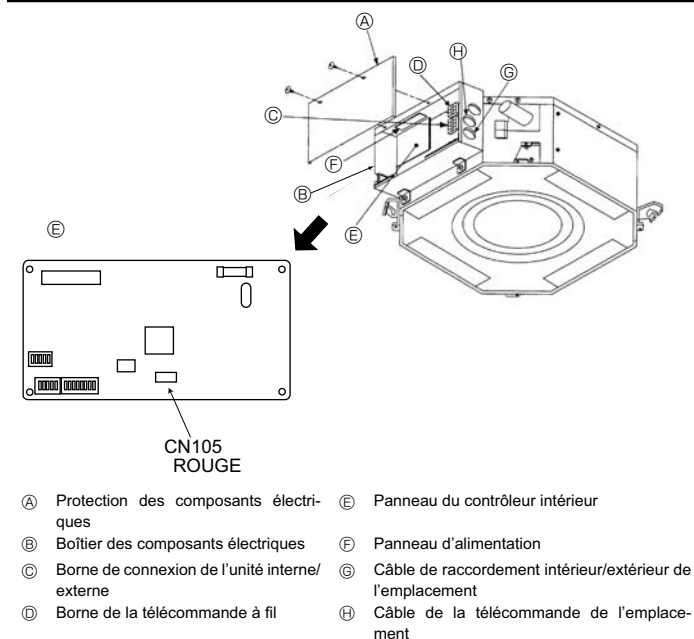


Fig. 6-1

6.1. Appareil intérieure (Fig. 6-1)

1. Enlevez les 2 vis pour détacher le couvercle de la boîte des composants électriques.

2. Faire passer chaque câble par le point d'entrée des câbles pour les introduire dans le boîtier de composants électriques (se procurer sur place le câble d'alimentation électrique et le câble de connexion entre les appareils intérieur/extérieur).

3. Pour l'interface radiofréquence

- Connecter correctement le cordon électrique de l'interface radiofréquence au connecteur CN105 (ROUGE) situé sur le panneau du contrôleur intérieur. Pour le contrôleur de la télécommande à fil
- Raccorder solidement les câbles d'alimentation et de commande aux blocs de raccordement.

4. Fixer les câbles à l'aide de crampons à l'extérieur du boîtier de composants électriques.

5. Remettez le couvercle du boîtier des composants électriques à sa place d'origine.

- Ne pas laisser les vis des bornes desserrées.
- Toujours prévoir une mise à la terre. (Diamètre du câble de terre: supérieur à 1,6 mm, 5/8 pouce (AWG14))
- Fixer les câbles d'alimentation et de commande au boîtier des composants électriques à l'aide du manchon pour la force de tension. (Connexion PG ou similaire.)
- Du ruban adhésif a été collé sur l'orifice du conduit servant à raccorder les câbles électriques. Veuillez retirer le ruban adhésif si vous devez procéder à un raccordement par cet orifice.

6. Installations électriques

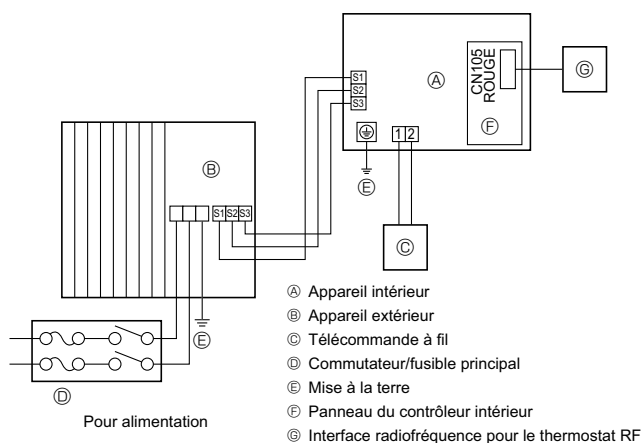


Fig. 6-2

6.1.1. Alimentation de l'appareil intérieur provenant de l'appareil extérieur (Fig. 6-2)

Les schémas de connexion suivants sont disponibles.

Les schémas d'alimentation de l'appareil extérieur varient selon les modèles.

Système 1:1			
Modèle de l'appareil intérieur	SLZ-KA09	SLZ-KA12	SLZ-KA15
Alimentation	Monophasé, 208/230V, 60Hz		
Intensité min. du circuit	1 A		
Fan motor (F.L.A)	0,23 A	0,28 A	
Input capacity main switch/fuse	15 A		
Câblage No du câble x taille en (mm) ²	Appareil intérieur-appareil extérieur	*1	3 x AWG 14 (Polaire)
	Mise à la terre de l'appareil intérieur/extérieur		1 x Min. AWG 16
Tension du circuit	Télécommande à fil - unité interne	*2	2 x AWG 22 (Non polarisé)
	Appareil intérieur-appareil extérieur S1-S2	*3	CA 208/230 V
	Appareil intérieur-appareil extérieur S2-S3	*3	CC 24 V
	Télécommande filaire - unité interne	*3	CC 12 V

*1 Max. 50 m, 165 ft

*2 Le câble de 10 m (30 pieds) est fixé à la télécommande à fil. Max. 500 m, 1500 ft.

*3 Les chiffres NE sont PAS toujours en rapport avec la terre.

La borne S3 présente CC 24 V par rapport à la borne S2. Cependant entre les bornes S3 et S1, l'isolation électrique n'est PAS assurée par un transformateur ou tout autre dispositif.

Remarques:

1. La taille des fils doit être conforme aux réglementations nationales et locales pertinentes.
2. Utiliser des fils d'alimentation en cuivre.
3. Utiliser des fils d'une intensité nominale de 600V ou plus pour les câbles d'alimentation et les câbles de raccordement de l'appareil intérieur/l'appareil extérieur.
4. Installer un câble de terre plus long que les autres câbles.

⚠ Attention:

- Faites attention de brancher les fils correctement.
- Serrer fermement les vis des bornes pour les empêcher de se desserrer.
- Puis tirer légèrement sur les fils pour vous assurer qu'ils ne bougent pas.

6.2. Télécommande

6.2.1. Télécommande à fil

1) Réglage des 2 commandes à distance

Si 2 télécommandes sont connectées, réglez l'une sur "principal" et l'autre sur "auxiliaire". Pour prendre connaissance des procédures de configuration, consultez "Sélection des fonctions" dans le mode d'emploi de l'appareil intérieur.

6.3. Réglage des fonctions

Pour la télécommande à fil (Fig. 6-3)

Réglage de la tension d'alimentation

- Toujours veiller à modifier le réglage de tension en fonction de l'alimentation utilisée.

- ① Passer au mode de réglage des fonctions.
Eteindre la télécommande à fil.
Appuyer simultanément sur les touches ① et ② et les maintenir enfoncées pendant au moins 2 secondes. FUNCTION commencera à clignoter.
- ② Utiliser la touche ③ pour régler l'adresse du réfrigérant (Ⅲ) sur 00.
- ③ Appuyer sur ④ ; [-] se met à clignoter sur l'affichage du numéro d'appareil (Ⅳ).
- ④ Utiliser la touche ③ pour attribuer le numéro 00 à l'appareil (Ⅳ).
- ⑤ Appuyer sur la touche ⑤ (MODE) pour spécifier l'adresse du réfrigérant/numéro d'appareil ; [-] clignote momentanément sur l'affichage du numéro de mode (Ⅰ).
- ⑥ Appuyer sur les touches ⑥ pour régler le numéro de mode (Ⅰ) sur 04.
- ⑦ Appuyer sur la touche ⑦, le numéro de programmation actuellement sélectionné (Ⅱ) clignotera.
Utiliser la touche ⑥ pour changer de numéro de programmation selon la tension d'alimentation à utiliser.
Tension d'alimentation
230 V : numéro de programmation = 1
208 V : numéro de programmation = 2
- ⑧ Appuyer sur la touche MODE ⑤, les numéros de programmation et de mode (Ⅰ) et (Ⅱ) changeront et seront continuellement affichés, et les détails de la programmation pourront être confirmés.
- ⑨ Appuyer simultanément sur les touches FILTER ⑧ et TEST RUN ⑨ pendant au moins 2 secondes. L'écran de sélection des fonctions apparaît momentanément, et l'affichage d'arrêt du climatiseur apparaît.

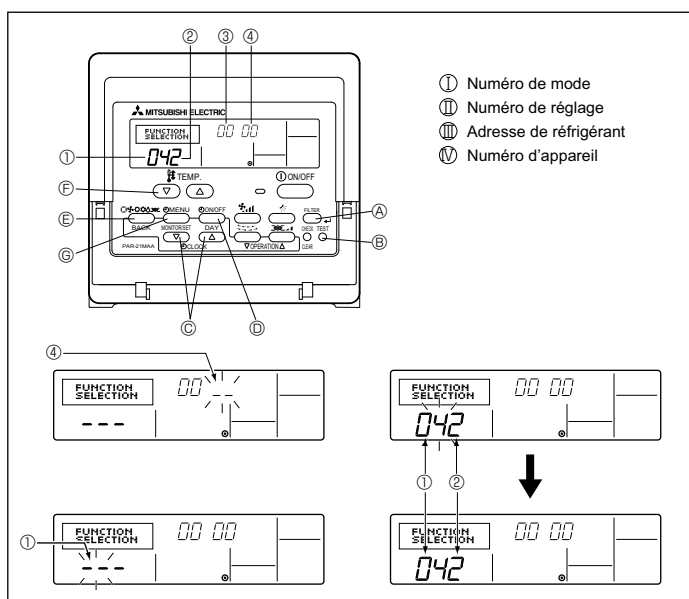


Fig. 6-3

6. Installations électriques

Tableau des fonctions

Sélectionner l'appareil numéro 00

Mode	Paramètre	No. de Mode Télécommande à fil (Thermostat radiofréquence (RF))	No. de réglage	Réglage initial	Réglage
Restauration automatique après une coupure de courant (FONCTION DE REMISE EN MARCHE AUTOMATI- QUE)	Non disponible	01 (101)	1		
	Disponible		2	○	
Détection de la température intérieure	Moyenne de fonctionnement de l'appareil intérieur	02 (-)	1	○	
	Réglée par la télécommande de l'appareil intérieur		2		
	Détecteur interne de la télécommande à fil		3		
Connectivité LOSSNAY	Non supportée	03 (103)	1	○	
	Supportée (l'appareil intérieur n'est pas équipé d'une prise d'air extérieure)		2		
	Supportée (l'appareil intérieur est équipé d'une prise d'air extérieure)		3		
Tension d'alimentation	230 V	04 (104)	1	○	
	208 V		2		

Sélectionner les appareils numéro 01 à 03 ou tous les appareils (AL [télécommande avec fil] / 07 [télécommande sans fil])

Mode	Paramètre	No. de Mode Télécommande à fil (Thermostat radiofréquence (RF))	No. de réglage	Réglage initial	Réglage
Signe du filtre	100 heures	07 (107)	1		
	2500 heures		2	○	
	Pas d'indicateur de signe du filtre		3		
Vitesse du ventilateur	Standard (PLH/PLA)/Silencieux (PCH/PCA)	08 (108)	1	—	
	Plafond élevé ① (PLH/PLA)/Standard (PCH/PCA)		2	—	
	Plafond élevé ② (PLH/PLA)/Haut plafond (PCH/PCA)		3	—	
No. de sorties d'air	4 directions	09 (109)	1	—	
	3 directions		2	—	
	2 directions		3	—	
Options installées (filtre hautes performances)	Non supporté	10 (110)	1	—	
	Supporté		2	—	
Réglage haut/bas des volets	Pas de volets	11 (111)	1	—	
	Équipé de volets (Réglage de l'angle des ailettes ①)		2	—	
	Équipé de volets (Réglage de l'angle des ailettes ②)		3	—	

7. Installer la grille

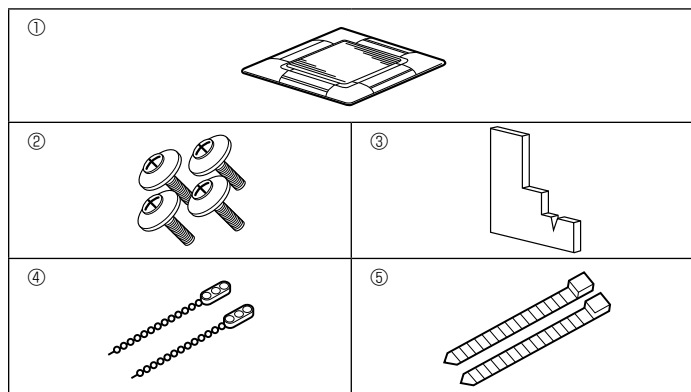


Fig. 7-1

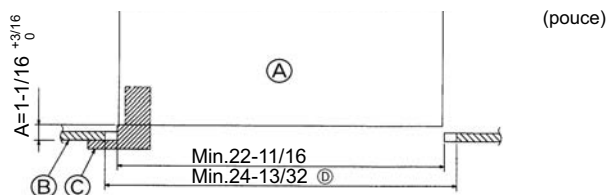


Fig. 7-2

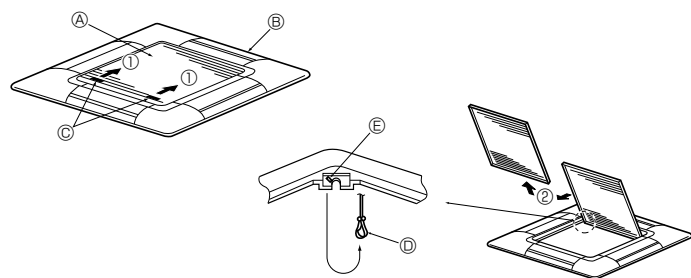


Fig. 7-3

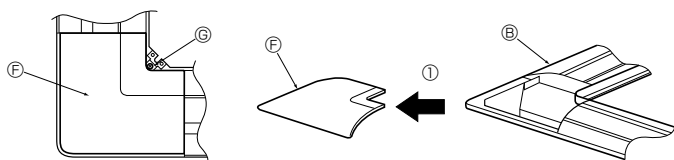


Fig. 7-4

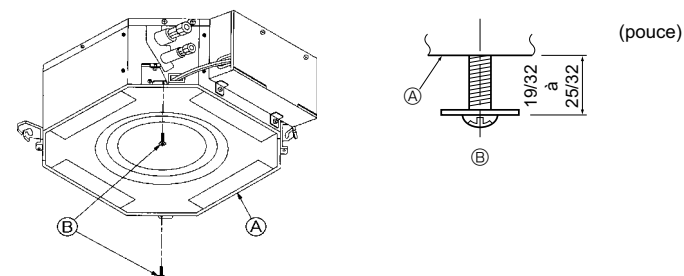


Fig. 7-5

7.1. Vérification des accessoires de la grille (Fig. 7-1)

- La grille doit être livrée avec les accessoires suivants.

	Nom de l'accessoire	Qté	Observations (mm, pouce)
①	Grille	1	650 × 650, 25-19/32 × 25-19/32
②	Vis avec rondelle captive	4	M5 × 0,8 × 25, M5 × 1/32 × 31/32
③	Jauge	1	
④	Attache	2	
⑤	Courroie	2	

7.2. Préparation avant d'attacher la grille (Fig. 7-2)

- A l'aide de la jauge fournie avec ce kit, régler et vérifier la position de l'appareil par rapport au plafond. Si l'appareil n'est pas correctement positionné, il y aura des risques de fuites d'air et de la condensation pourrait s'accumuler.
- Vous assurer que l'ouverture dans le plafond se trouve dans les tolérances suivantes: 576 × 576 - 620 × 620 mm, 22-11/16 × 22-11/16 pouce à 24-13/32 × 24-13/32 pouce.
- S'assurer que le point A s'effectue dans une fourchette allant de 27 à 32 mm, 1-1/16 à 1-1/4 pouce. Le non respect de cette marge pourrait être à l'origine de certains dégâts.

- Ⓐ Appareil principal
- Ⓑ Plafond
- Ⓒ Jauge (Accessoire)
- Ⓓ Dimensions de l'ouverture dans le plafond

7.2.1. Retrait de la grille d'admission (Fig. 7-3)

- Pour ouvrir la grille d'admission, faire glisser les leviers dans le sens indiqué par la flèche ①.
- Défaire le crochet qui sert à fixer la grille.
* Ne pas décrocher le crochet de la grille d'admission.
- Lorsque la grille se trouve en position "ouverte", retirer la charnière de la grille d'admission comme indiqué par la flèche ②.

7.2.2. Retrait du panneau en coin (Fig. 7-4)

- Retirer la vis du coin du panneau en coin. Faire glisser le panneau comme indiqué par la flèche ① pour le déposer.

- Ⓐ Grille d'admission
- Ⓑ Grille
- Ⓒ Leviers de la grille d'admission
- Ⓓ Crochet de la grille
- Ⓔ Orifice pour le crochet de la grille
- Ⓕ Panneau en coin
- Ⓖ Vis

7.3. Installer la grille

- Faire très attention aux restrictions concernant la position de fixation de la grille.

7.3.1. Préparatifs (Fig. 7-5)

- Installer les 2 vis livrées, munies des rondelles d'étanchéité dans l'appareil principal (dans le coin de la zone du tuyau de réfrigérant et dans le coin opposé) comme indiqué sur le schéma.

- Ⓐ Appareil principal
- Ⓑ Diagramme détaillé de la vis placée avec la rondelle d'étanchéité (accessoire).

7. Installer la grille

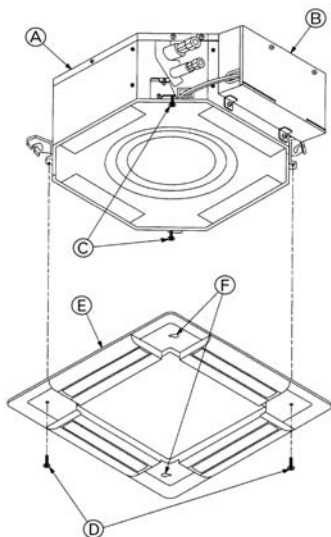


Fig. 7-6

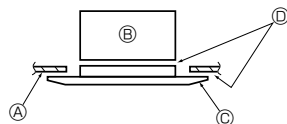


Fig. 7-7

7.3.2. Mise en place provisoire de la grille (Fig. 7-6)

- Aligner le boîtier des composants électriques de l'appareil principal sur le récepteur de la grille puis fixer provisoirement la grille à l'aide des orifices en forme de cloche.
- * Veiller à ne pas coincer les câbles de la grille entre la grille et l'appareil principal.

- Ⓐ Appareil principal
- Ⓑ Boîtier des composants électriques
- Ⓒ Vis avec la rondelle d'étanchéité (mise en place provisoire)
- Ⓓ Vis avec rondelle d'étanchéité (Accessoire)
- Ⓔ Grille
- Ⓕ Orifice en forme de cloche

7.3.3. Fixation de la grille (Fig. 7-7)

- Attacher la grille à l'appareil principal en serrant les 2 vis mises en place au préalable (avec des rondelles d'étanchéité captives) et en utilisant les 2 vis restantes (avec rondelles captives également).

* Vérifier qu'il n'y a pas d'espace entre l'appareil principal et la grille ou entre la grille et le plafond.

- Ⓐ Plafond
- Ⓑ Appareil principal
- Ⓒ Grille
- Ⓓ Vérifier qu'il n'y a pas d'espace.

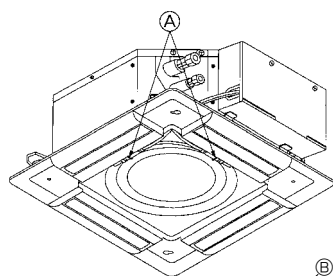


Fig. 7-8

7.3.4. Câblage (Fig. 7-8)

- Toujours veiller à raccorder l'appareil au connecteur (blanc: 10 broches / rouge: 9 broches).

Fixer ensuite le tuyau en verre blanc livré avec l'appareil principal de sorte qu'il recouvre le connecteur. Refermer l'ouverture du tuyau en verre à l'aide de courroie fournie.

- Vérifier si tous les câbles sont bien tendus au niveau de l'attache de la grille.

- Ⓐ Attache (Accessoire)
- Ⓑ Tube en verre blanc
- Ⓒ Connecteur de l'appareil principal
- Ⓓ Connecteur de la grille
- Ⓔ Courroie (Accessoire)

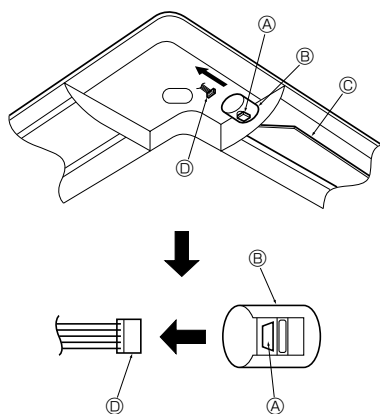


Fig. 7-9

- Ⓐ Bouton
- Ⓑ Moteur des ailettes
- Ⓒ Ailettes vers le haut/vers le bas
- Ⓓ Connecteur

7.4. Verrouillage du sens de la soufflerie d'air vers le haut/vers le bas (Fig. 7-9)

Les ailettes de l'appareil peuvent être réglées et verrouillées dans le sens vers le haut ou vers le bas en fonction de l'environnement d'exploitation.

- Régler les ailettes à la meilleure convenance de l'utilisateur.

Le réglage du verrouillage vers le haut/vers le bas des ailettes et toutes les commandes automatiques ne peuvent pas être effectués par le biais de la télécommande. En outre, la position réelle des volets peut différer par rapport à la position indiquée sur la télécommande filaire.

- Mettre l'interrupteur principal hors tension. Si le ventilateur de l'appareil devait fonctionner, vous risqueriez de vous blesser ou de recevoir une décharge électrique.
- Débrancher le connecteur du moteur des ailettes du ventilateur que vous souhaitez verrouiller. (Appuyer sur le bouton et, en même temps, retirer le connecteur dans le sens indiqué par la flèche illustrée sur le schéma.) Lorsque le connecteur est déposé, l'isoler avec du ruban spécialement conçu à cet effet.
- Pour régler le sens souhaité de la soufflerie, déplacer lentement les ailettes vers le haut/vers le bas dans la plage indiquée. (Fig. 7-10)

Plage indiquée

Sens de la soufflerie vers le haut/vers le bas	Horizontal 30°	Vers le bas 45°	Vers le bas 55°	Vers le bas 70°
A	21 mm 13/16 pouce	25 mm 31/32 pouce	28 mm 1-3/32 pouce	30 mm 1-3/16 pouce

- Il est possible de déplacer les ailettes entre 21 et 30 mm (13/16 et 1-3/16 pouce).

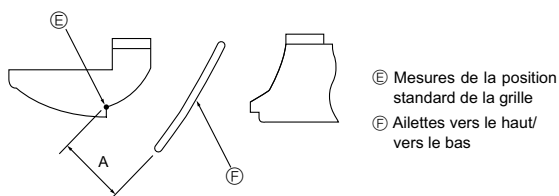


Fig. 7-10

- Ⓔ Mesures de la position standard de la grille
- Ⓕ Ailettes vers le haut/vers le bas

⚠ Attention:

Ne pas placer les ailettes vers le haut/vers le bas au-delà de la plage indiquée. De la condensation pourrait apparaître et provoquer l'apparition de gouttes au plafond ou l'appareil risquerait de mal fonctionner.

7. Installer la grille

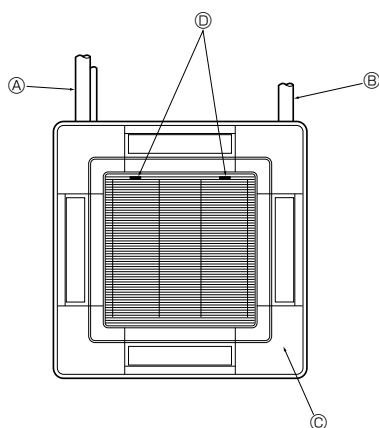


Fig. 7-11

7.5. Installation de la grille d'aspiration (Fig. 7-11)

- Procéder comme indiqué au point "7.2. Préparation avant d'attacher la grille" mais en sens inverse pour mettre la grille d'admission et le panneau en coin.
 - A Tuyau de réfrigérant de l'appareil principal
 - B Tuyau d'écoulement de l'appareil principal
 - C Panneau en coin
 - * Installation dans toute position possible.
 - D Position des leviers de la grille d'admission à la sortie d'usine.
 - * Bien que les clips puissent être fixés dans n'importe laquelle des quatre positions.

7.6. Vérification

- Vous assurer qu'il n'y a aucun espace entre l'appareil et la grille, ou entre la grille et la surface du plafond. S'il y a un espace quelconque entre l'appareil et la grille, ou entre la grille et la surface du plafond, il est possible que de la rosée s'y accumule.
- Vous assurer que les fils sont bien connectés.

8. Marche d'essai

8.1. Avant la marche d'essai

- Après avoir installé les appareils intérieur et extérieur, et avoir effectué l'installation électrique et de la tuyauterie, revérifier qu'il n'y a aucune fuite de réfrigérant, que les connexions ne se sont pas détendues et que la polarité est correcte.
- Mesurer une impédance entre le bloc de sortie de l'alimentation électrique (L, N, ⊕) de l'appareil extérieur et la terre à l'aide d'un mégohmmètre 500 V et vérifier qu'elle est d'au moins 1,0 MΩ.

8.2. Marche d'essai

- Consulter le manuel d'installation fourni avec chaque télécommande pour plus détails.

8.3. Auto-vérification

- Consulter le manuel d'installation fourni avec chaque télécommande pour plus détails.
- Thermostat RF non établi.

Erreurs détectées par l'appareil intérieur

Télécommande à fil Thermostat radiofréquence (RF) Code de vérification	Symptôme	Remarque
P1	Erreur du capteur d'admission	
P2	Erreur du capteur sur tuyaux (TH2)	
P9	Erreur du capteur sur tuyaux (TH5)	
E6, E7	Erreur de communication de l'appareil intérieur/extérieur	
P4	Erreur du capteur d'écoulement	
P5	Erreur de la pompe d'écoulement	
PA	Erreur du compresseur à circulation forcée	
P6	Fonctionnement du dispositif de protection en cas de gel/surchauffe	
EE	Erreur de communication entre les appareils intérieur et extérieur	
P8	Erreur de température des tuyaux	
E4	Erreur de réception du signal de la télécommande	
Fb	Erreur du système de contrôle de l'appareil intérieur (erreur de mémoire, etc.)	

Erreurs détectées par un appareil autre que l'appareil intérieur (appareil extérieur, etc.)

Télécommande à fil Thermostat radiofréquence (RF) Code de vérification	Symptôme	Remarque
E9	Erreur de communication de l'appareil intérieur/extérieur (Erreur de transmission) (Appareil extérieur)	Pour de plus amples informations, contrôlez l'écran LED du panneau du contrôleur extérieur.
UP	Interruption due à la surintensité du compresseur	
U3, U4	Circuit ouvert/court-circuit des thermistances de l'appareil extérieur	
UF	Interruption due à la surintensité du compresseur (Quand compresseur verrouillé)	
U2	Température de décharge anormalement élevée/fonctionnement de 49C/réfrigérant insuffisant	
U1, Ud	Pression anormalement élevée (Fonctionnement de 63H)/Fonctionnement du dispositif de protection en cas de surchauffe	
U5	Température anormale de la source de froid	
U8	Arrêt du dispositif de protection du ventilateur de l'appareil extérieur	
U6	Interruption due à la surintensité du compresseur/Module d'alimentation anormal	
U7	Surchauffe anormale due à une température de décharge basse	
U9, UH	Anomalies telles que surtension ou sous-tension et signal synchronisé anormal vers le circuit principal/Erreur du capteur d'intensité	

8. Marche d'essai

- Sur la télécommande à fil
Code de vérification affiché à l'écran LCD.
- Si vous ne parvenez pas à faire fonctionner l'appareil correctement après avoir mené à bien le test d'essai indiqué ci-dessus, consulter le tableau suivant pour en trouver la cause éventuelle.

Symptôme		Cause
Télécommande à fil / thermostat RF		
PLEASE WAIT	Pendant environ 2 minutes après la mise sous tension.	• Pendant environ deux minutes après la mise sous tension, il n'est pas possible d'utiliser la télécommande à cause du démarrage du système (Fonctionnement correct).
PLEASE WAIT → Code d'erreur	Après un délai d'environ 2 minutes suivant la mise sous tension.	• Le connecteur pour le dispositif de protection de l'appareil extérieur n'est pas raccordé. • Câblage inversé ou en phase ouverte pour le bloc d'alimentation de l'appareil extérieur
Aucun message n'est affiché même lorsque l'interrupteur de fonctionnement est sur ON (le témoin de fonctionnement ne s'allume pas).		• Câblage incorrect entre les appareils intérieur et extérieur (polarité incorrecte de S1, S2, S3) • Court-circuit de la télécommande

Remarque:

Son utilisation n'est pas possible pendant 30 secondes après l'annulation de la sélection de fonction (Fonctionnement correct).

Pour la description de chacun des témoins (LED 1, 2, 3) repris sur le contrôleur de l'appareil intérieur, se reporter au tableau suivant.

LED1 (alimentation du micro-ordinateur)	Indique si l'alimentation est fournie au contrôleur. Ce témoin doit toujours être allumé.
LED2 (alimentation de la télécommande à fil)	Indique si l'alimentation est fournie à la télécommande filaire.
LED3 (communication entre les appareils intérieur et extérieur)	Indique l'état de communication entre les appareils intérieur et extérieur. Ce témoin doit toujours clignoter.

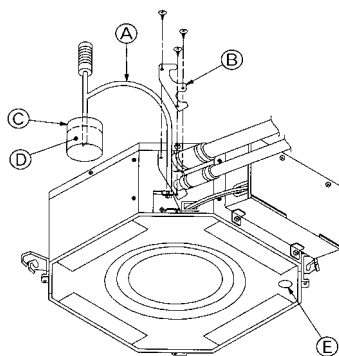


Fig. 8-1

8.4. Vérification de l'écoulement (Fig. 8-1)

- Au moment d'effectuer le test de fonctionnement, s'assurer de l'écoulement correct de l'eau et de la bonne étanchéité des joints.
 - Toujours effectuer cette vérification au moment de l'installation, même si l'appareil ne doit pas fournir de climatisation/déshumidification à cette période.
 - De même, toujours vérifier l'écoulement avant de terminer l'installation du plafond dans de nouveaux bâtiments.
- (1) Retirer le couvercle de l'arrivée d'eau et ajouter environ 1000 cc, 1/4 gal d'eau à l'aide d'une pompe d'arrivée d'eau, etc. En ce faisant, faire attention que l'eau n'éclabousse pas le mécanisme de la pompe d'écoulement.
 - (2) Confirmez que de l'eau s'écoule par le trou de décharge après être passé du mode de télécommande au mode d'essai (mode de refroidissement).
 - (3) Après la vérification de l'écoulement, veiller à remettre le couvercle en place et à isoler l'alimentation électrique.
 - (4) Remettre le capuchon de drainage en place après avoir vérifié le bon fonctionnement de l'écoulement.
- Ⓐ Introduire l'extrémité de la pompe de 3 à 5 cm, 1-3/16 à 2 pouce
 - Ⓑ Couvercle de l'arrivée d'eau
 - Ⓒ Environ 1000 cc, 1/4 gal
 - Ⓓ Eau
 - Ⓔ Fiche de drainage

1. Medidas de Seguridad	26	5. Tubo de refrigerante y tubo de drenaje	30
2. Selección del lugar de instalación	27	6. Trabajo eléctrico	31
3. Diagrama de instalación	27	7. Instalación de la rejilla	34
4. Instalación de la unidad interior	27	8. Prueba de funcionamiento	36

1. Medidas de Seguridad

- ▶ Antes de instalar la unidad, asegúrese de haber leído el capítulo de “Medidas de Seguridad”.
- ▶ Informe al encargado del suministro u obtenga su consentimiento antes de conectar este equipo al sistema de suministro de alimentación.

⚠ Atención:
Describe las precauciones que deben tenerse en cuenta para evitar el riesgo de lesiones o muerte del usuario.

⚠ Cuidado:
Describe las precauciones que deben tenerse en cuenta para evitar daños en la unidad.

- ⚠ Atención:**
- La instalación del aire acondicionado debe correr a cargo del distribuidor o técnico autorizado.
 - Para la instalación, siga las instrucciones del Manual de instalación y utilice las herramientas y piezas de fontanería específicamente diseñadas para utilizar con el refrigerante especificado en el manual de instalación de la unidad exterior.
 - La unidad debe instalarse según las instrucciones para reducir posibles daños en caso de terremoto, huracán o vientos fuertes. Si no se instala correctamente, la unidad podría caerse y provocar daños o lesiones.
 - La unidad debe instalarse firmemente sobre una estructura capaz de soportar su peso.
 - Si el equipo de aire acondicionado se instala en una sala pequeña deberán tomarse medidas para prevenir que la concentración de refrigerante exceda los límites de seguridad en caso de fugas. Si se produce una fuga de refrigerante que sobrepase los límites de concentración, la estancia en la sala puede ser peligrosa por falta de oxígeno.

1.1. Cuestiones previas a la instalación (Ambiente)

- ⚠ Cuidado:**
- No utilice la unidad en un ambiente enrarecido. Si instala el aire acondicionado en áreas expuestas al vapor, aceite esencial (incluyendo el aceite para máquinas), o humo sulfúrico, áreas con alto contenido en sal como playas, el rendimiento puede verse reducido significativamente y las piezas internas pueden dañarse.
 - No instale la unidad donde se puedan verter, producir, circular o acumular gases inflamables. Si se acumula gas inflamable en zonas próximas a la unidad, se podría producir un incendio o una explosión.
 - No coloque alimentos, plantas, animales, obras de arte o instrumentos de precisión en la salida de aire directa de la unidad exterior o demasiado cerca de ella, ya que los cambios de temperatura o el agua que gotea podrían dañarlos.

1.2. Antes de la instalación o reubicación

- ⚠ Cuidado:**
- Tenga mucho cuidado cuando mueva las unidades. Se necesitan dos o más personas para llevar la unidad ya que pesa 20 kg, 44 lbs o más. No la sujete por las bandas de embalaje. Utilice guantes protectores ya que se podría lesionar con las aletas u otras partes.
 - Guarde los embalajes en un lugar seguro. Los materiales de embalaje, como clavos y otras piezas de metal o de madera pueden producir pinchazos y otras lesiones.
 - El tubo de refrigerante debe estar aislado térmicamente para evitar la condensación. Si el tubo de refrigerante no se aísla correctamente, se formará condensación.

1.3. Antes de la instalación eléctrica

- ⚠ Cuidado:**
- Asegúrese de instalar disyuntores. Si no se instalan, se podrían producir descargas eléctricas.
 - Use cables estándar de suficiente capacidad para las líneas eléctricas. Si no lo hace así, se podría producir un cortocircuito, un sobrecalentamiento o un incendio.
 - Cuando instale las líneas eléctricas, los cables no deben tener corriente.

1.4. Antes de realizar las pruebas de funcionamiento

- ⚠ Cuidado:**
- Conecte la corriente al menos 12 horas antes de que empiece a funcionar el equipo. Si se acciona inmediatamente después de haberlo conectado a la corriente, pueden producirse daños graves en las piezas internas.
 - Antes de que comience a funcionar el equipo, compruebe que todos los paneles y protectores están instalados correctamente. Las piezas giratorias, calientes o de alto voltaje pueden provocar lesiones.
 - No haga funcionar el equipo de aire acondicionado sin el filtro de aire instalado. Si el filtro de aire no está colocado, se puede acumular el polvo y se puede averiar el equipo.

Después de terminar la instalación, explique las “Medidas de Seguridad”, funcionamiento y mantenimiento de la unidad al cliente según el Manual de instrucciones y realice una prueba para asegurarse de que funciona correctamente. Entregue una copia del Manual de instalación y del Manual de instrucciones al usuario. Estos manuales deben pasar a usuarios posteriores del equipo.

⚡ : Indica una pieza que debe estar conectada a tierra.

⚠ Atención:
Lea atentamente las etiquetas adheridas a la unidad principal.

- Si se produce una fuga de refrigerante durante el funcionamiento, ventile la sala. Si el refrigerante entra en contacto con una llama, se desprenderán gases nocivos.
- Todas las conexiones eléctricas deberán ser realizadas por un técnico cualificado según la normativa local y las instrucciones de este manual.
- Utilice sólo cables especificados para el cableado.
- El panel de la cubierta del bloque de terminales de la unidad debe colocarse firmemente.
- Utilice sólo accesorios autorizados por Mitsubishi Electric y pida a su distribuidor o a un técnico autorizado que se los instale.
- El usuario nunca debe intentar reparar la unidad o moverla de sitio.
- Tras haber realizado la instalación, compruebe si hay fugas de refrigerante. Si en caso de fuga el refrigerante entra en contacto con las llamas de un calentador o de un equipo de cocina portátil, se desprenderán gases nocivos.

- Cuando la humedad de la habitación supera el 80%, o cuando el tubo de drenaje esté obstruido, puede gotear agua de la unidad interior. No instale la unidad interior en lugares donde el goteo pueda causar daños.
- Si instala la unidad en un hospital o en un centro de comunicaciones, recuerde que la unidad produce ruidos e interferencias electrónicas. Los computadores, aparatos domésticos, equipos médicos de alta frecuencia y las comunicaciones de radio pueden provocar un mal funcionamiento o la avería del equipo de aire acondicionado. El equipo de aire acondicionado también puede afectar los equipos médicos e interrumpir los cuidados médicos, así como los equipos de comunicación y dañar la calidad de la pantalla.

- Sitúe material aislante térmico en las tuberías para evitar la condensación. Si el tubo de drenaje no se instala correctamente, se puede producir un escape de agua o daños en el techo, suelo, muebles u otros objetos.
- No limpie con agua el equipo de aire acondicionado. Puede sufrir una descarga eléctrica.
- Apriete las tuercas de abocardado a los niveles especificados mediante una llave dinamométrica. Si las aprieta demasiado, se pueden romper al cabo de un tiempo.

- Asegúrese de instalar una toma de tierra. Si la unidad no está bien conectada a la línea de tierra, se puede producir una descarga eléctrica.
- Utilice disyuntores (interruptor de falta de tierra, interruptor aislante (+fusible B) e interruptores en caja moldeada) con la potencia especificada. Si la potencia del interruptor es mayor que la especificada, puede ocurrir un incendio o una avería.

- No toque ningún interruptor con las manos mojadas. Puede sufrir una descarga eléctrica.
- No toque la tubería del refrigerante sin guantes mientras durante el funcionamiento.
- Una vez deje de funcionar el aparato, espere cinco minutos antes de apagar el interruptor principal. De lo contrario, se puede producir un goteo de agua o una avería.

2. Selección del lugar de instalación

2.1. Unidad interior

- Donde no se obstaculice el flujo de aire.
- Donde el aire frío se pueda propagar por toda la habitación.
- Donde no esté expuesto a la luz solar directa.
- A una distancia mínima de 1 m, 3 ft de la televisión y de la radio (para evitar que se distorsione la imagen o que se produzca ruido).
- En un lugar lo más alejado posible de fluorescentes o de luces incandescentes (para que el controlador remoto por infrarrojos funcione con normalidad).
- Donde el filtro de aire se pueda extraer y reemplazar con facilidad.

⚠ Atención:

Instale la unidad interior en un techo suficientemente fuerte para soportar el peso de la unidad.

3. Diagrama de instalación

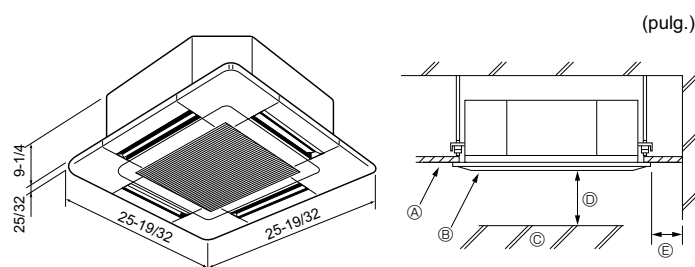


Fig. 3-1

3.1. Unidad interior (Fig. 3-1)

- Ⓐ Techo
 - Ⓑ Rejilla
 - Ⓒ Obstáculo
 - Ⓓ Min. 1000 mm, 40 pulg.
 - Ⓔ Min. 500 mm, 20 pulg. (Toda la periferia)
- Si ajusta el espacio de mantenimiento para Ⓔ, asegúrese de dejar un mínimo de 700 mm, 28 pulg..

⚠ Atención:

Instale la unidad interior en un techo suficientemente fuerte para soportar el peso de la unidad.

3.2. Unidad exterior

Consulte el manual de instalación de la unidad exterior.

4. Instalación de la unidad interior

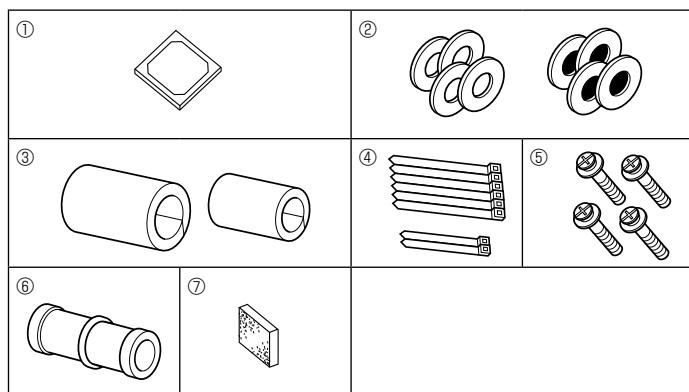


Fig. 4-1

4.1. Comprobación de los accesorios de la unidad interior (Fig. 4-1)

La unidad interior debe ir acompañada de los siguientes accesorios.

	Nombre accesorio	Cant.
①	Plantilla de instalación	1
②	Arandelas (con aislamiento)	4
	Arandelas (sin aislamiento)	4
③	Cubierta de tubería (para junta de tubería de refrigerante)	
	diámetro pequeño (líquido)	1
	diámetro grande (gas)	1
④	Abrazadera (grande)	6
	Abrazadera (pequeña)	2
⑤	Tornillo con arandela (M5 × 25) para montar la rejilla	4
⑥	Tubo de desagüe	1
⑦	Aislante	1

4. Instalación de la unidad interior

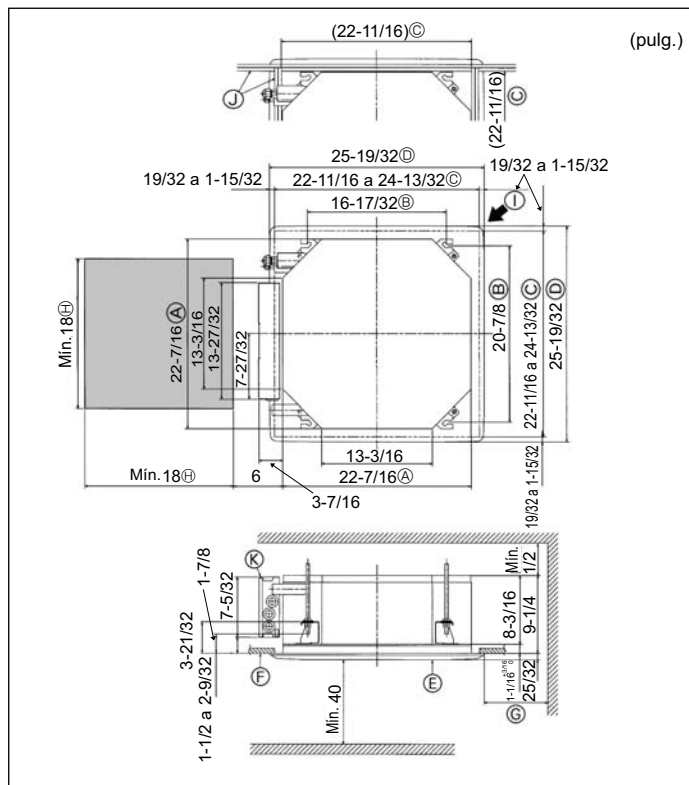


Fig. 4-2

4.2. Apertura del techo y ubicación de los tornillos de suspensión (Fig. 4-2)

• Mediante la plantilla de instalación (parte superior del paquete) y el calibre (suministrado como un accesorio junto a la rejilla), realice una apertura en el techo de forma que la unidad principal se pueda instalar tal y como se indica en el diagrama (el método de utilización de la plantilla y del calibre está indicado).

* Antes de utilizarlas, compruebe las dimensiones de la plantilla y del calibre ya que pueden cambiar por fluctuaciones de la temperatura y humedad.

* Las dimensiones de la apertura en el techo se pueden regular dentro de la gama que muestra el diagrama siguiente; centre la unidad principal frente a la apertura del techo, asegurándose de que los lados opuestos respectivos en todos los lados de la apertura sean idénticos.

• Utilice tornillos de suspensión M10 (3/8").

* Los tornillos de suspensión no están incluidos en el envío.

• Instale la unidad asegurándose de que no queda espacio entre el panel de techo y la rejilla y entre la unidad principal y la rejilla.

(A) Lado exterior de la unidad principal	(G) Min. 500 mm, 20 pulg. (Toda la periferia)
(B) Paso del tornillo	Si ajusta el espacio de mantenimiento para (G), asegúrese de dejar un mínimo de 700 mm, 28 pulg..
(C) Apertura en el techo	(H) Espacio de mantenimiento
(D) Lado exterior de la rejilla	(I) Entrada de aire fresco
(E) Rejilla	(J) Ángulo
(F) Techo	(K) Caja de componentes eléctricos

* Obsérvese que debe haber un espacio de 10 a 15 mm, 3/8 a 9/16 pulg. entre panel de techo de la unidad y placa de techo, etc.

* Deje un espacio de mantenimiento en el extremo de la caja de componentes eléctricos.

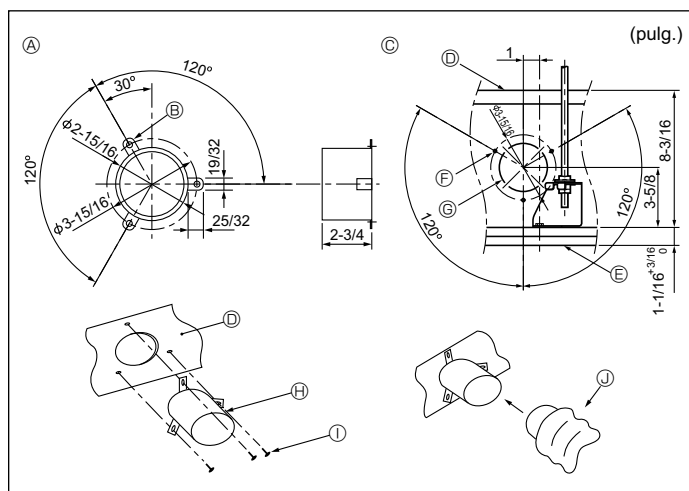


Fig. 4-3

4.3. Instalación del conducto (en caso de entrada de aire fresco) (Fig. 4-3)

⚠ **Cuidado:**

Unión del ventilador del conducto y el acondicionador de aire

Si se utiliza un ventilador de conducto, asegúrese de unirlo al acondicionador de aire cuando obtenga aire del exterior.

No utilice únicamente el ventilador de conducto. Podrían producirse pérdidas.

Preparación del reborde del conducto (localmente)

• Se recomienda utilizar la forma de reborde de conducto mostrada a la izquierda.

Instalación del reborde del conducto

• Corte el orificio de escape. No lo parta.

• Instale el reborde del conducto en cada uno de los orificios de corte de la unidad interior mediante tres tornillos roscados de 4 × 10 mm, 4 × 1/2 pulg. (debe realizarse de forma local).

Instalación del conducto (debe prepararse localmente)

• Prepare un conducto en el que el diámetro interior encaje en el diámetro exterior del reborde del conducto.

• En caso de que la zona situada encima del techo tenga una temperatura y una humedad muy alta, envuelva el conducto con un aislante térmico para evitar pérdida a la pared.

(A) Forma recomendada de reborde de conducto (Grosor: 0,8 mm, 1/32 pulg. o superior)	(F) Orificio taladrado de 3-ø2,8 mm, ø1/8 pulg.
(B) Orificio de 3-ø5 mm, ø3/16 pulg.	(G) Orificio de corte de ø73,4 mm, ø2-7/8 pulg.
(C) Vista detallada de la entrada de aire fresco	(H) Reborde de conducto (preparado localmente)
(D) Unidad interior	(I) Tornillos roscados de 4 × 10 mm, ø4 × 1/2 pulg. (preparados localmente)
(E) Superficie del techo	(J) Conducto

4. Instalación de la unidad interior

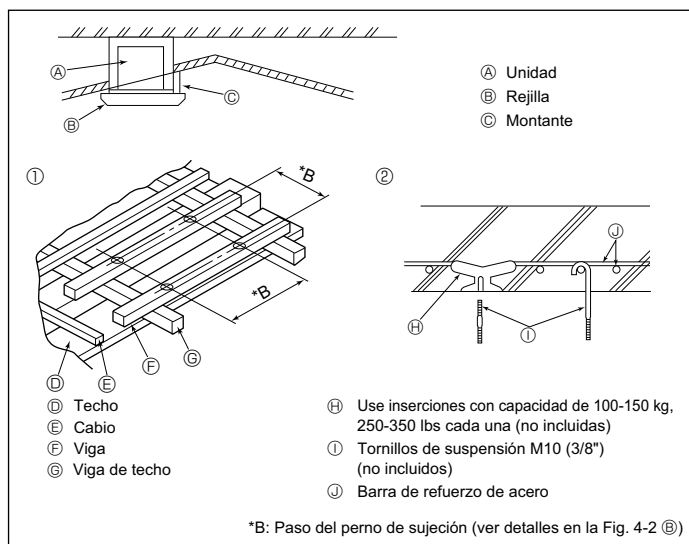


Fig. 4-4

4.4. Estructura de suspensión (Refuerzo de la estructura de suspensión) (Fig. 4-4)

- Los trabajos en el techo diferirán según el tipo de construcción del edificio. Se deberá consultar a los constructores y decoradores de interiores.
- (1) Apertura del techo: El techo se mantendrá totalmente horizontal y se reforzarán las estructuras (marco: listones de madera y soportes de listones) para proteger el techo de vibraciones.
- (2) Corte y extraiga la estructura del techo.
- (3) Refuerce los bordes del fundamento de techo donde ha sido cortado y añada elementos estructurales para asegurar los extremos del panel de techo.
- (4) Al instalar la unidad interior en un techo inclinado coloque un montante entre el techo y rejilla y disponga la instalación de forma que la unidad quede horizontal.

① Estructuras de madera

- Use vigas-tirante (para casas de un solo piso) o vigas de doble piso (para casas de dos pisos) como refuerzo.
- Las vigas de madera para suspender unidades de aire acondicionado deben ser resistentes y sus lados deben medir, al menos, 6 cm, 2-3/8 pulg. si las vigas están separadas no más de 90 cm, 35-7/16 pulg. o al menos 9 cm, 3-9/16 pulg. si están separadas hasta 180 cm, 70-7/18 pulg.. El tamaño de los tornillos de suspensión debería ser de $\varnothing 10$ mm, 3/8 pulg.. (Los tornillos no vienen incluidos con la unidad.)

② Estructuras de hormigón armado

Asegure los tornillos de suspensión con el método que se muestra en el gráfico o utilice ganchos de acero o madera, etc. para instalar los tornillos de sujeción.

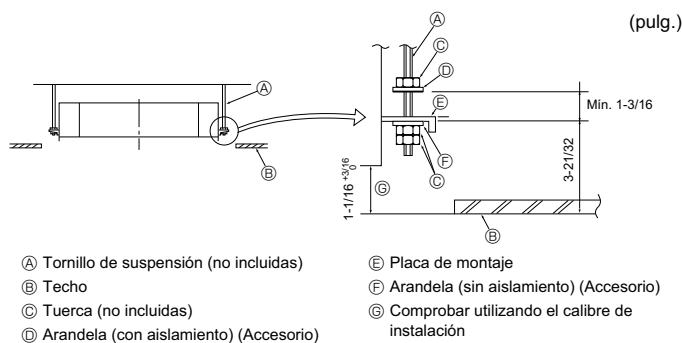


Fig. 4-5

4.5. Procedimientos de suspensión de la unidad (Fig. 4-5)

Suspenda la unidad principal como muestra el diagrama.

- Primero coloque las piezas en los tornillos de sujeción en el orden siguiente: arandelas (con aislamiento), arandelas (sin aislamiento) y tuercas (dobles).
 - Coloque la arandela con el acolchado de forma que el aislamiento mire hacia abajo.
 - Si se utilizan arandelas superiores para colgar la unidad principal, las arandelas inferiores (con aislamiento) y las tuercas (dobles) se colocarán más tarde.
 - Levante la unidad hasta la altura adecuada de los tornillos de sujeción para insertar la placa de montaje entre arandelas y apretar luego las tuercas.
 - Cuando la unidad principal no pueda ser alineada contra los orificios de montaje en el techo, se puede ajustar posteriormente gracias a la ranura prevista en la placa de montaje. (Fig. 4-6)
- Asegúrese de que el paso A se realiza en 27 ± 0.5 mm, $1-1/16 \pm 3/16$ pulg.. Si no se respeta este margen, podrían producirse graves daños.

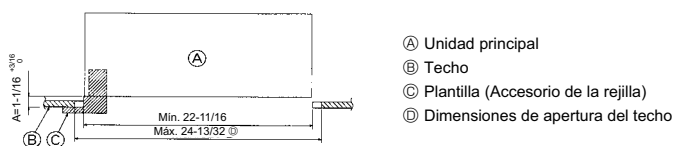


Fig. 4-6

4.6. Confirmación de la posición de la unidad principal y apriete de los tornillos de sujeción (Fig. 4-7)

- Cerciórese, utilizando el calibre unido a la rejilla, de que la parte inferior de la unidad principal esté correctamente alineada con la apertura del techo. Confírmelo, ya que en caso contrario se puede generar una condensación y gotear debido a pérdidas de aire, etc.
 - Confirme que la unidad principal está nivelada horizontalmente mediante un nivel o tubo de vinilo relleno de agua.
 - Una vez comprobada la posición de la unidad principal, apriete firmemente las tuercas de los tornillos de suspensión para fijar la unidad principal.
 - La plantilla de instalación se puede utilizar como hoja de protección para evitar que entre el polvo en la unidad principal cuando no estén colocadas las rejillas durante un lapso temporal o cuando se alineen los materiales del techo después de haber finalizado la instalación de la unidad.
- * Para más detalles sobre su uso consulte las instrucciones de la plantilla de instalación.

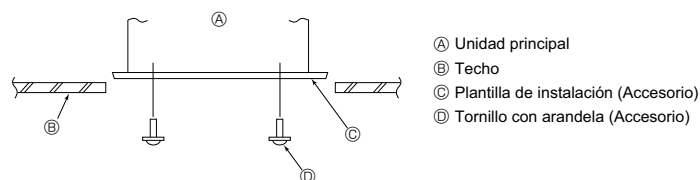


Fig. 4-7

5. Tubo de refrigerante y tubo de drenaje

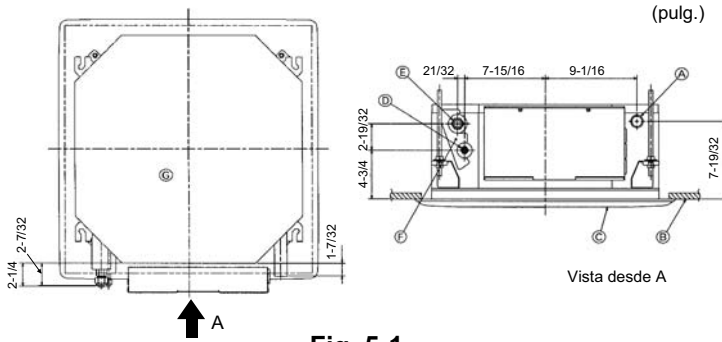


Fig. 5-1

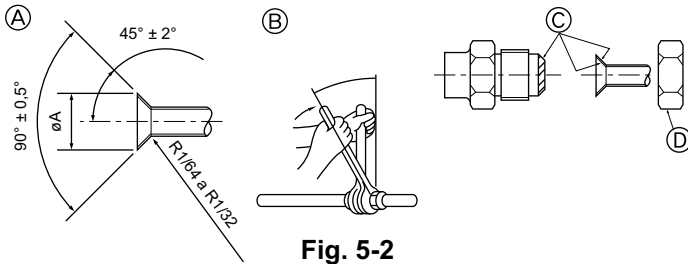


Fig. 5-2

A Dimensiones del corte abocinado

Tubo de cobre O.D. (mm, pulg.)	Dimensiones de abocinado dimensiones ϕA (mm, pulg.)	
	$\phi 6,35$, 1/4"	8,7 a 9,1
$\phi 9,52$, 3/8"	12,8 a 13,2	1/2 a 33/64
$\phi 12,7$, 1/2"	16,2 a 16,6	41/64 a 21/32

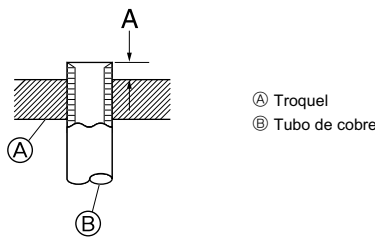


Fig. 5-3

Tubo de cobre O.D. (mm, pulg.)	A	
	Herramienta abocinada para R410A	
	Tipo gancho (mm, pulg.)	
$\phi 6,35$, 1/4"	0 a 0,5	0 a 1/64
$\phi 9,52$, 3/8"	0 a 0,5	0 a 1/64
$\phi 12,7$, 1/2"	0 a 0,5	0 a 1/64

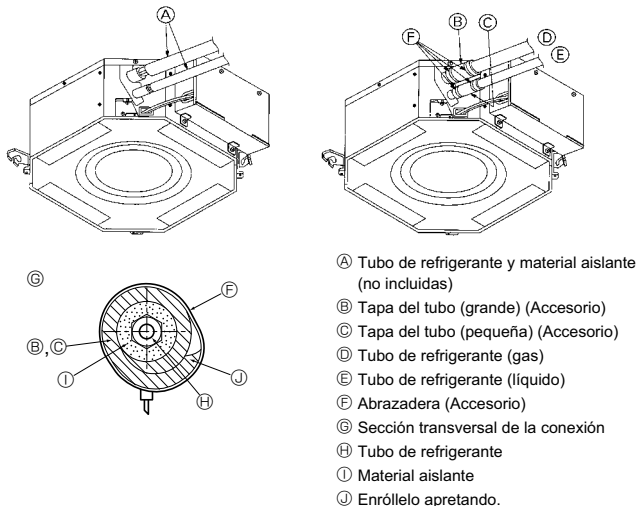


Fig. 5-4

5.1. Ubicaciones de los tubos de refrigerante y drenaje de la unidad interior (Fig. 5-1)

- Ⓐ Tubo de drenaje
- Ⓑ Techo
- Ⓒ Rejilla
- Ⓓ Tubo de refrigerante (líquido)
- Ⓔ Tubo de refrigerante (gas)
- Ⓕ Alimentación de agua
- Ⓖ Unidad principal

5.2. Tubos de conexión (Fig. 5-2)

- Si se utilizan tubos de cobre convencionales, envuelva los tubos de gas y líquido con materiales aislantes (resistente al calor hasta 100°C, 212°F o más, espesor de 12 mm, 1/2 pulg. o más).
- Las piezas interiores del tubo de drenaje tienen que estar envueltas en materiales aislantes de espuma de polietileno (gravedad específica de 0,03 y espesor de 9 mm, 23/64 pulg. o más).
- Aplique una capa delgada de aceite refrigerante a la superficie tubo y de la junta de asiento antes de apretar la tuerca de abocardado.
- Utilice dos llaves de apriete para apretar las conexiones de los tubos.
- Utilice el aislante de tubería de refrigerante suministrado para aislar las conexiones de la unidad interior. Realice los aislamientos con cuidado.

Ⓑ Torsión de apriete de la tuerca abocardada

Tubo de cobre O.D.		Diám. ext. de la tuerca abocardada		Par de torsión	
mm	pulg.	mm	pulg.	N·m	ft - lbs
6,35	1/4	17	43/64	13,7 a 17,7	10 a 13
9,52	3/8	22	7/8	34,3 a 41,2	25 a 30
12,7	1/2	26	1-1/32	49,0 a 56,4	36 a 42

- Ⓒ No aplique aceite refrigerante para máquinas en las partes que contienen tornillos. (Las tuercas abocardadas podrían aflojarse.)
- Ⓓ Asegúrese de utilizar las tuercas abocardadas que se suministran con la unidad principal. (El uso de productos de otros fabricantes puede provocar grietas.)
- Ⓔ Aplique aceite refrigerante para máquinas sobre toda la superficie abocardada.

5.3. Unidad interior (Fig. 5-4)

Aislamiento del calor para los tubos refrigerantes:

- ① Envuelva la cubierta adjunta del tubo de mayor tamaño alrededor del tubo de gas, asegurándose de que el extremo de la cubierta del tubo entre en contacto con el lateral de la unidad.
 - ② Envuelva la cubierta adjunta del tubo de menor tamaño alrededor del tubo de líquido, asegurándose de que el extremo de la cubierta del tubo entre en contacto con el lateral de la unidad.
 - ③ Asegure ambos extremos de cada cubierta del tubo con las uniones adjuntas (coloque las uniones a 20 mm, 25/32 pulg. de los extremos de la cubierta del tubo).
- Después de haber conectado los tubos de refrigerante a la unidad interior, realice una prueba de fuga de gas de las conexiones de los tubos con gas nitrógeno. (Compruebe que no exista ninguna fuga entre los tubos de refrigerante y la unidad interior.)

5. Tubo de refrigerante y tubo de drenaje

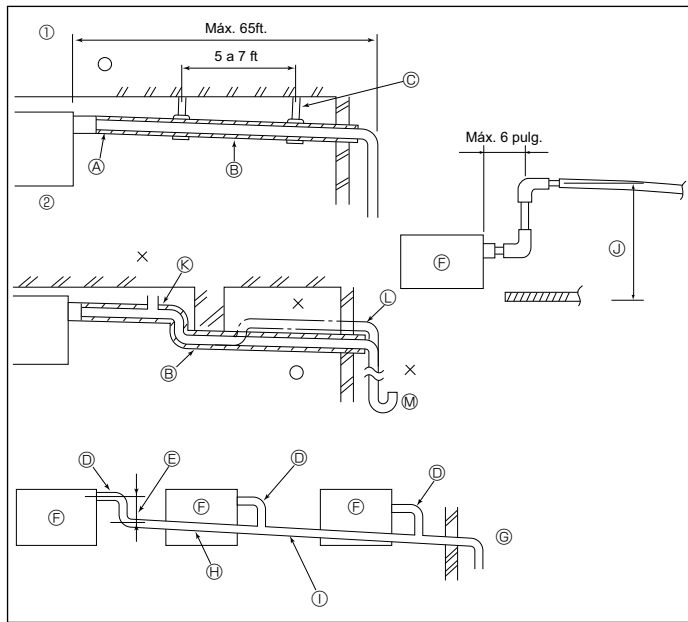


Fig. 5-5

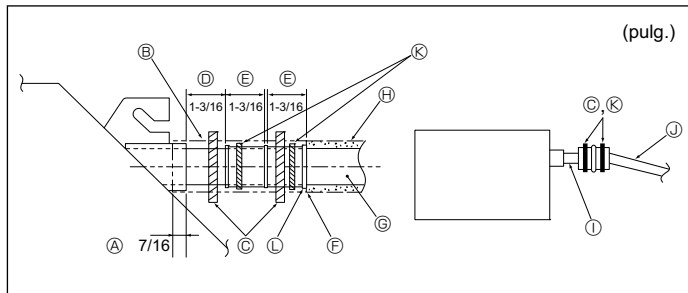


Fig. 5-6

5.4. Tubería de drenaje (Fig. 5-5)

- Utilice VP25 (tubo de PVC de $\varnothing 32$ mm, 1-1/4 pulg.) para el tubo de drenaje y prevea una pendiente de descenso de 1/100 o más.
- Asegúrese de conectar las juntas de los tubos con un adhesivo de tipo polivinílico.
- Observe la figura para realizar los trabajos de canalización.
- Utilice la manguera de drenaje incluida para cambiar la dirección de la extracción.

- | | |
|--|-----------------------|
| ① Tubería correcta | Ⓢ Metal de soporte |
| ② Tubería incorrecta | Ⓚ Expulsador de aire |
| Ⓐ Aislamiento (9 mm, 3/8 pulg. o más) | Ⓛ Elevado |
| Ⓑ Pendiente de descenso de 1/100 o más | Ⓜ Retención de olores |

Agrupación de tuberías

- Ⓧ O.D. $\varnothing 32$ mm, 1-1/4 pulg. TUBO PVC
- Ⓨ Hágalo lo más ancho posible
- Ⓩ Unidad interior
- Ⓩ Haga la medida de la tubería ancha para la agrupación de tuberías.
- Ⓩ Pendiente de descenso de 1/100 o más
- Ⓩ O.D. $\varnothing 38$ mm, 1-1/2 pulg. TUBO PVC para agrupación de tuberías. (9 mm, 3/8 pulg. o mayor aislamiento)
- Ⓩ Hasta 500 mm, 19-11/16 pulg.

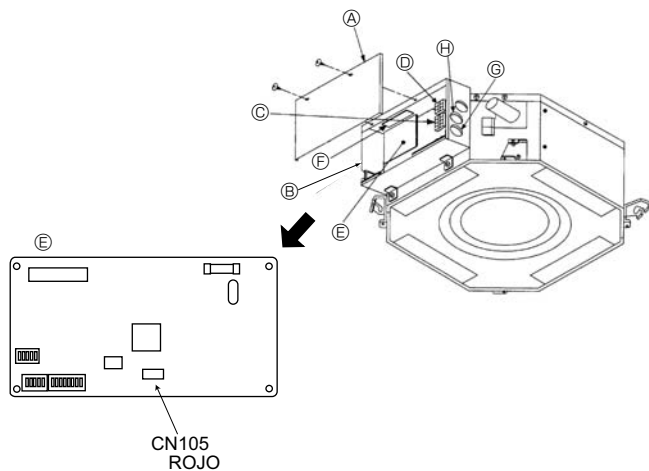
1. Conecte el tubo de desagüe (suministrado con la unidad) al orificio de desagüe. (Fig. 5-6)
(Sujete el tubo con cinta aislante y asegure la conexión con una abrazadera.)
2. Instale un tubo de drenaje (no incluido) (tubo de PVC, O.D. $\varnothing 32$ mm, 1-1/4 pulg.).
(Sujete el tubo con cinta aislante y asegure la conexión con una abrazadera.)
3. Aísle el tubo de drenaje (tubo de PVC, O.D. $\varnothing 32$ mm, 1-1/4 pulg. y manguito).
4. Compruebe que el líquido de drenaje circule correctamente.
5. Aísle el puerto de drenaje con material aislante y sujételo con una abrazadera. (Tanto la abrazadera como el material aislante vienen incluidos con el equipo.)

- | | |
|------------------------------------|--|
| Ⓐ Unidad principal | Ⓢ Tubo de drenaje (O.D. $\varnothing 32$ mm, 1-1/4 pulg. PVC TUBO) |
| Ⓑ Material aislante | Ⓣ Material aislante (comprado en su localidad) |
| Ⓒ Abrazadera (grande) | Ⓤ Tubo de PVC transparente |
| Ⓓ Puerto de drenaje (transparente) | Ⓥ O.D. $\varnothing 32$ mm, 1-1/4 pulg. PVC TUBO (Inclinación mínima de 1/100) |
| Ⓧ Límite de colocación | Ⓚ Abrazadera (pequeña) |
| Ⓨ Unión | Ⓛ Tubo de desagüe |

6. Trabajo eléctrico

6.1. Unidad interior (Fig. 6-1)

1. Extraiga 2 tornillos para abrir la tapa de componentes eléctricos.
2. Coloque cada uno de los cables en las tomas de la caja de los componentes eléctricos. (Adquiera localmente el cable de alimentación y el de control.)
3. Para la interfaz de radiofrecuencia
 - Conecte firmemente el cable eléctrico de la interfaz de radiofrecuencia al conector CN105 (ROJO) del panel del controlador interior.
4. Para el controlador remoto cableado
 - Conecte firmemente el cable de alimentación y el cable del control a los paneles de terminales.
5. Asegure los cables con bridas fuera de la caja de componentes eléctricos.
6. Vuelva a colocar la tapa de los componentes eléctricos como estaba.
7. No permita que se aflojen los tornillos terminales.
8. Instale siempre una toma de tierra. (Diámetro del cable de toma de tierra: más grueso de 1,6 mm, 5/8 pulg. (AWG14))
9. Coloque el cable de alimentación y el de control en la caja de los componentes eléctricos utilizando manguitos aisladores separadores para fuerza tractiva. (Conexión PG o similar.)
10. La cinta se fija sobre el orificio de conducción utilizado para conectar el cableado eléctrico. Retire esta cinta si va a realizar una conexión a través del orificio.



- | | |
|--|---|
| Ⓐ Cubierta de los componentes eléctricos | Ⓧ Panel del controlador interior |
| Ⓑ Caja de los componentes eléctricos | Ⓨ Panel de alimentación |
| Ⓒ Terminal de conexión de la unidad interior/ exterior | Ⓩ Conexión del cable de ubicación interior - exterior |
| Ⓓ Terminal del controlador remoto cableado | Ⓢ Cable de ubicación del control remoto |

Fig. 6-1

6. Trabajo eléctrico

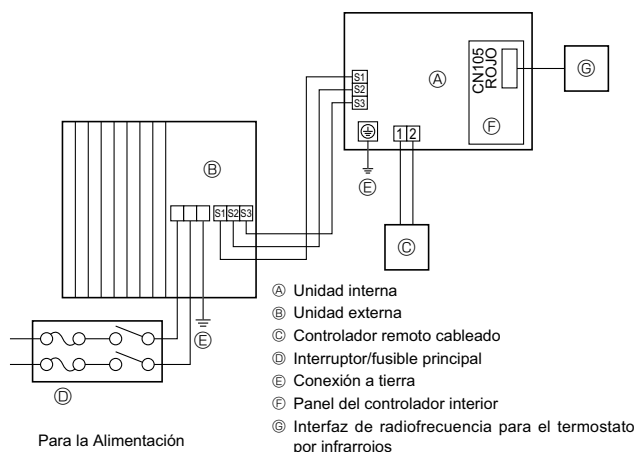


Fig. 6-2

6.1.1. Alimentación de la unidad interior suministrada por la unidad exterior (Fig. 6-2)

Están disponibles los siguientes patrones de conexión.

Los patrones de la fuente de alimentación de la unidad exterior varían en función del modelo.

Sistema 1:1			
Modelo de la unidad interior	SLZ-KA09	SLZ-KA12	SLZ-KA15
Alimentación	Monofase, 208/230V, 60Hz		
Min. circuit ampacity	1 A		
Fan motor (F.L.A)	0,23 A	0,28 A	
Amperaje mínimo del circuito	15 A		
Cableado Cable n.º x tamaño (mm²)	Unidad interior-unidad exterior	*1	3 x AWG 14 (Polar)
	Cable a tierra de la unidad interior y de la unidad exterior		1 x Mín. AWG 16
Rango del circuito	Controlador remoto cableado: unidad interior	*2	2 x AWG 22 (No polar)
	Unidad interior-unidad exterior S1-S2	*3	208/230 V CA
	Unidad interior-unidad exterior S2-S3	*3	24 V CC
	Controlador remoto cableado: unidad interior	*3	12 V CC

*1 Máx. 50 m, 165 ft

*2 El cable de 10 m (30 pies) está conectado al accesorio del controlador remoto cableado. Máx. 500 m, 1500 ft.

*3 Los valores NO siempre se aplican a la toma a tierra.

El terminal S3 dispone de DC24V frente al terminal S2. Entre S3 y S1, estos terminales no están aislados eléctricamente por el transformador u otro dispositivo.

Notas:

- El diámetro de los cables debe cumplir la normativa local y nacional.
- Utilice cables de cobre.
- Utilice cables con un régimen nominal de 600 V o superior para los cables de la fuente de alimentación y los cables de conexión de las unidades interior/exterior.
- Instale un cable de toma de tierra más largo que el resto de los cables.

⚠ Cuidado:

- Asegúrese de no realizar un mal cableado.
- Apriete firmemente los tornillos de la terminal para evitar que se aflojen.
- Tras apretarlos, tire ligeramente de los cables para confirmar que no se muevan.

6.2. Controlador remoto

6.2.1. Controlador remoto cableado

1) Ajuste de 2 controladores remotos

Si hay 2 controladores remotos conectados, ajuste uno como "principal" y el otro como "subordinado". Para conocer los procedimientos de ajuste, consulte "Selección de función" en el manual de instrucciones de la unidad interior.

6.3. Ajuste de funciones

Para el controlador remoto cableado (Fig. 6-3)

Cambio del ajuste de voltaje de alimentación

- Asegúrese de cambiar el ajuste de voltaje de alimentación dependiendo del voltaje utilizado.

① Paso al modo de edición de funciones.

DESCONECTE el controlador remoto cableado.

Pulse simultáneamente los botones Ⓐ y Ⓑ y manténgalos pulsados durante al menos dos segundos. "FUNCTION" empezará a parpadear.

② Utilice el botón Ⓒ para ajustar la dirección de refrigerante (Ⅲ) a 00.

③ Presione Ⓓ y [-] comenzará a parpadear en la visualización del número de unidad (Ⅳ).

④ Utilice el botón Ⓒ para cambiar el número de unidad (Ⅳ) a 00.

⑤ Presione el botón Ⓔ MODE para designar la dirección de refrigerante/número de unidad. [-] parpadeará momentáneamente en la visualización del número de modo (Ⅰ).

⑥ Presione los botones Ⓕ para ajustar el número de modo (Ⅰ) a 04.

⑦ Pulse el botón Ⓖ; el número de configuración de la unidad en (Ⅱ) empezará a parpadear.

Utilice el botón Ⓕ para modificar el número de configuración de acuerdo con la tensión eléctrica que vaya a emplear.

Tensión eléctrica

230 V : número de configuración = 1

208 V : número de configuración = 2

⑧ Pulse el botón MODE Ⓔ para que el modo y el número de configuración (Ⅰ) y (Ⅱ) estén continuamente activados y se pueda confirmar el contenido de la configuración.

⑨ Mantenga simultáneamente presionados los FILTER Ⓐ y TEST RUN Ⓑ durante dos segundos por lo menos. La pantalla de selección de funciones desaparecerá momentáneamente y aparecerá la visualización de desconexión (OFF) del acondicionador de aire.

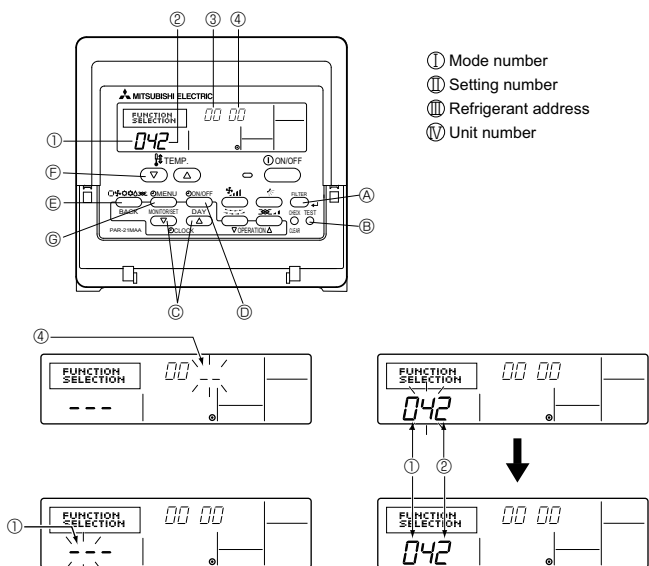


Fig. 6-3

6. Trabajo eléctrico

Tabla de funciones

Seleccione el número de unidad 00

Modo	Ajustes	Núm. de modo Controlador remoto cableado (Termostato de radiofrecuencia)	Núm. de ajuste	Configuración inicial	Ajuste
Recuperación automática de fallo de alimentación (FUNCIÓN DE REACTIVACIÓN AUTOMÁTICA)	No disponible	01	1		
	Disponible	(101)	2	○	
Detección de la temperatura de la sala	Media de funcionamiento de la unidad interior	02 (-)	1	○	
	Ajustada por el control remoto de la unidad interior		2		
	Sensor interno del control remoto cableado		3		
Conectividad LOSSNAY	No soportada	03 (103)	1	○	
	Soportada (la unidad interior no está equipada con entrada de aire del exterior)		2		
	Soportada (la unidad interior está equipada con entrada de aire del exterior)		3		
Voltaje de alimentación	230 V	04 (104)	1	○	
	208 V		2		

Seleccione los números de unidad 01 a 03 o todas las unidades (AL [controlador remoto alámbrico] / 07 [controlador remoto inalámbrico])

Modo	Ajustes	Núm. de modo Controlador remoto cableado (Termostato de radiofrecuencia)	Núm. de ajuste	Configuración inicial	Ajuste
Señalización de filtro	100 horas	07 (107)	1		
	2500 horas		2	○	
	Sin indicador de señalización del filtro		3		
Velocidad del ventilador	Estándar (PLH/PLA)/Silencioso (PCH/PCA)	08 (108)	1	—	
	Techo alto ① (PLH/PLA)/Normal (PCH/PCA)		2	—	
	Techo alto ② (PLH/PLA)/Techo alto (PCH/PCA)		3	—	
Núm. de salidas de aire	4 direcciones	09 (109)	1	—	
	3 direcciones		2	—	
	2 direcciones		3	—	
Opciones instaladas (Filtro de alto rendimiento)	No soportado	10 (110)	1	—	
	Soportado		2	—	
Ajuste de las aletas de movimiento vertical	Sin aletas	11 (111)	1	—	
	Equipado con aletas (Configuración del ángulo de las paletas ①)		2	—	
	Equipado con aletas (Configuración del ángulo de las paletas ②)		3	—	

7. Instalación de la rejilla

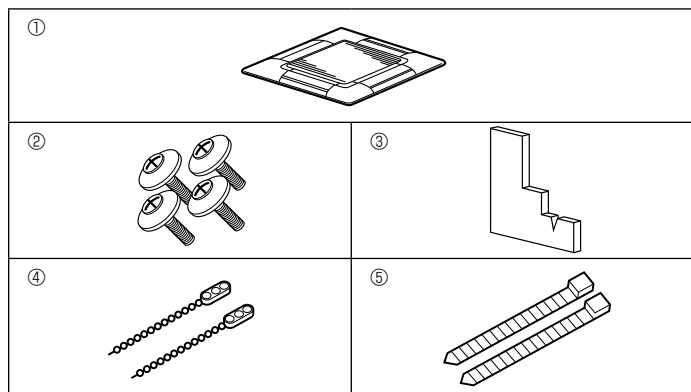


Fig. 7-1

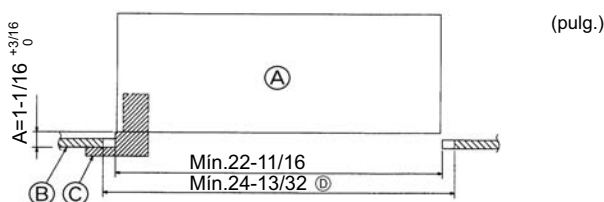


Fig. 7-2

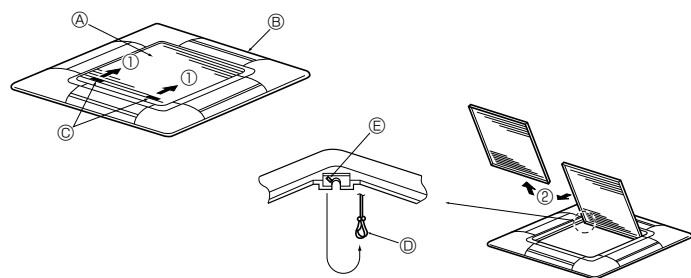


Fig. 7-3

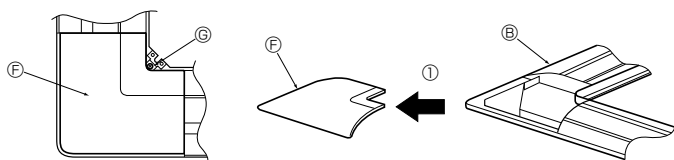


Fig. 7-4

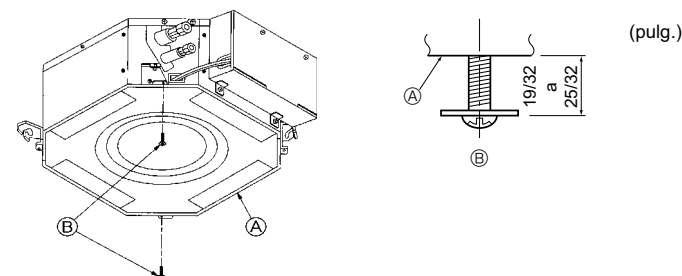


Fig. 7-5

7.1. Comprobación de accesorios de la rejilla (Fig. 7-1)

- La rejilla debe suministrarse con los siguientes accesorios.

	Nombre accesorio	Cantidad	Forma (mm, pulg.)
①	Dimensiones de la rejilla	1	650 × 650, 25-19/32 × 25-19/32
②	Tornillo con arandela cautiva	4	M5 × 0,8 × 25, M5 × 1/32 × 31/32
③	Plantilla	1	
④	Remache	2	
⑤	Abrazadera	2	

7.2. Preparación para conectar la rejilla (Fig. 7-2)

- Con la plantilla que se suministra con este equipo, ajuste y compruebe la posición de la unidad en el techo. Si la unidad no está colocada en el techo de forma adecuada, podrían producirse escapes de aire o generarse una condensación.
- Asegúrese de que la abertura del techo está dentro de los siguientes límites: 576 × 576 - 620 × 620 mm, 22-11/16 × 22-11/16 pulg. a 24-13/32 × 24-13/32 pulg..
- Asegúrese de que el paso A se realiza en 27-32 mm, 1-1/16 a 1-1/4 pulg.. Si no se respeta este margen, podrían producirse graves daños.

- Ⓐ Unidad principal
- Ⓑ Techo
- Ⓒ Plantilla (Accesorio)
- Ⓓ Dimensiones de apertura del techo

7.2.1. Extracción de la rejilla de admisión (Fig. 7-3)

- Deslice las palancas en la dirección indicada mediante la flecha ① para abrir la rejilla de admisión.
- Quite el gancho que fija la rejilla.
* No quite el gancho de la rejilla de admisión.
- Con la rejilla de admisión en posición "abierta", extraiga la bisagra de la rejilla de admisión de la rejilla tal y como se indica mediante la flecha ②.

7.2.2. Extracción del panel angular (Fig. 7-4)

- Extraiga el tornillo de la esquina del panel angular. Deslice los paneles angulares indicados por la flecha ① para extraer este panel.

- Ⓐ Rejilla de admisión
- Ⓑ Rejilla
- Ⓒ Palancas de la rejilla de admisión
- Ⓓ Gancho de la rejilla
- Ⓔ Orificio para el gancho de la rejilla
- Ⓕ Panel angular
- Ⓖ Tornillo

7.3. Instalación de la rejilla

- Preste especial atención debido a la restricción existente en la colocación de la posición de la rejilla.

7.3.1. Preparación (Fig. 7-5)

- Instale los 2 tornillos con arandelas que se adjuntan en la unidad principal (en el área del tubo de refrigerante de uno de los extremos y en el extremo opuesto) tal y como se indica en el diagrama.

- Ⓐ Unidad principal
- Ⓑ Diagrama detallado de instalación de tornillo y arandela (accesorio).

7. Instalación de la rejilla

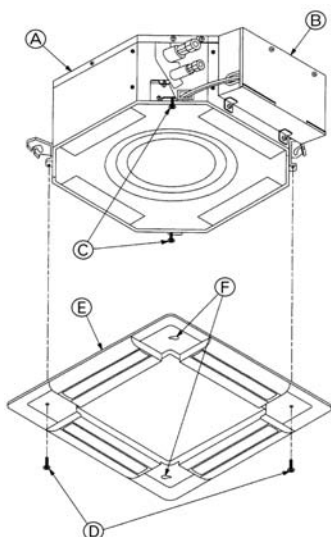


Fig. 7-6

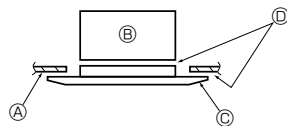


Fig. 7-7

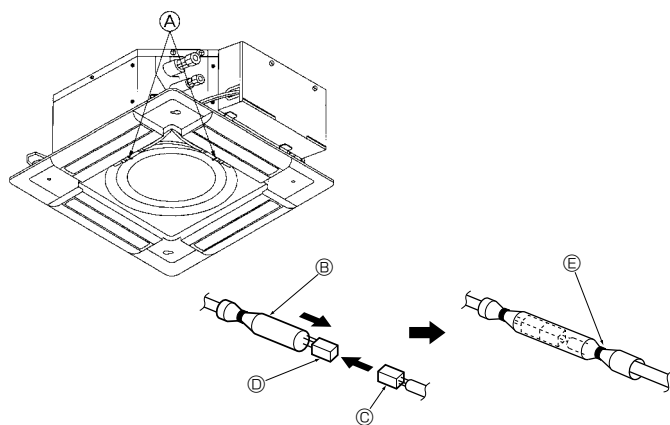


Fig. 7-8

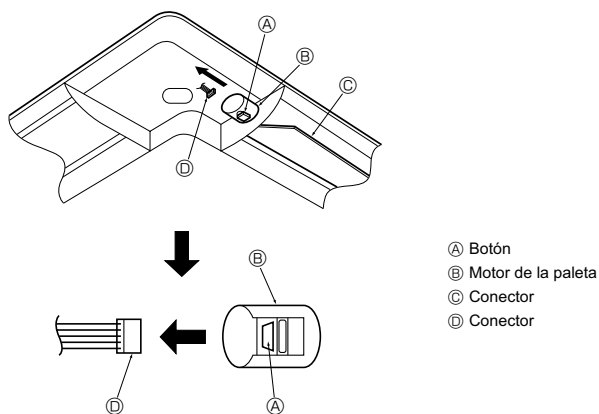


Fig. 7-9

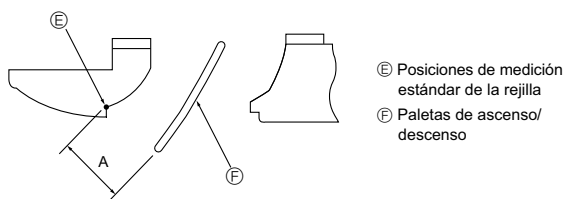


Fig. 7-10

7.3.2. Instalación temporal de la rejilla (Fig. 7-6)

- Alinee la caja de componentes eléctricos de la unidad principal con el receptor de la rejilla y fije temporalmente la rejilla mediante los orificios con forma de campana.
- * Compruebe que el cableado de la rejilla no quede enganchado entre la rejilla y la unidad principal.

- Ⓐ Unidad principal
- Ⓑ Cubierta de las piezas eléctricas
- Ⓒ Tornillo con arandela (de uso temporal)
- Ⓓ Tornillo con arandela (Accesorio)
- Ⓔ Rejilla
- Ⓕ Orificio con forma de campana

7.3.3. Fijación de la rejilla (Fig. 7-7)

- Fije la rejilla a la unidad principal apretando los 2 tornillos previamente instalados (con arandelas cautivas) así como los 2 tornillos restantes (con arandelas cautivas).
- * Compruebe que no haya huecos entre la unidad principal y la rejilla o entre la rejilla y el techo.

- Ⓐ Techo
- Ⓑ Unidad principal
- Ⓒ Rejilla
- Ⓓ Compruebe que no haya huecos.

7.3.4. Conexión de cables (Fig. 7-8)

- Asegúrese de conectar la unidad al conector (blanco: polo 10 / rojo: polo 9). A continuación, coloque el tubo de cristal blanco que viene junto con la unidad principal de forma que cubra al conector.
- Cierre la apertura del tubo de cristal con el Abrazadera.
- Asegúrese de que cada cable no tenga soltura en el remache de la rejilla.

- Ⓐ Remache (Accesorio)
- Ⓑ Tubo de vidrio blanco
- Ⓒ Conector de la unidad principal
- Ⓓ Conector de la rejilla
- Ⓔ Abrazadera (Accesorio)

7.4. Bloqueo de la dirección del flujo de aire de ascenso/descenso (Fig. 7-9)

Puede ajustar y bloquear las paletas de la unidad con orientación de ascenso o descenso dependiendo de las condiciones ambientales de uso.

- Ajústelas de acuerdo con las preferencias del cliente.
- No se puede manejar el funcionamiento de las paletas de ascenso/descenso ni todos los controladores automáticos mediante el controlador remoto. Además, la posición real de las paletas puede variar respecto a la indicada en el controlador remoto cableado.

- Apague el interruptor principal. Pueden producirse daños o descargas eléctricas mientras gire el ventilador de la unidad.
- Desconecte el conector del motor de paleta del ventilador que desee bloquear. (Mientras presiona el botón, extraiga el conector en la dirección indicada por la flecha tal y como se indica en el diagrama.) Después de extraer el conector, aislo con cinta aislante.
- Para ajustar la dirección de flujo de aire deseada, mueva lentamente las paletas hacia arriba/abajo dentro del margen especificado. (Fig. 7-10)

Margen especificado

Dirección del flujo de aire de ascenso/descenso	Horizontal 30°	Descenso 45°	Descenso 55°	Descenso 70°
A	21 mm 13/16 pulg.	25 mm 31/32 pulg.	28 mm 1-3/32 pulg.	30 mm 1-3/16 pulg.

- Puede ajustar las paletas entre 21 y 30 mm (13/16 y 1-3/16 pulg.).

⚠ Cuidado:
No ajuste las paletas de ascenso/descenso más allá del margen especificado. Se podría formar condensación y gotear desde el techo, o podría producirse un funcionamiento incorrecto de la unidad.

7. Instalación de la rejilla

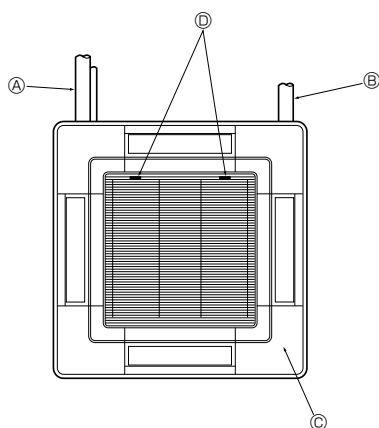


Fig. 7-11

7.5. Instalación de la rejilla de admisión (Fig. 7-11)

- Invierta el procedimiento descrito en el apartado "7.2. Preparación para conectar la rejilla" para instalar la rejilla de admisión y el panel angular.

- Ⓐ Tubería de refrigeración de la unidad principal
- Ⓑ Tubería de drenaje de la unidad principal
- Ⓒ Panel angular
 - * Aislamiento en cualquier posición, en caso de que sea posible.
- Ⓓ Posición de las palancas de la rejilla de admisión cuando es enviada de fábrica.
 - * Aunque puede instalar los clips en cualquiera de las cuatro posiciones.

7.6. Comprobación

- Asegúrese de que no hay ningún hueco entre la unidad y la rejilla, ni entre la rejilla y la superficie del techo. Si hubiese alguno, podrían formarse gotas de condensación.
- Asegúrese de que los cables han quedado firmemente conectados.

8. Prueba de funcionamiento

8.1. Antes de realizar las pruebas

- ▶ Después de instalar las unidades interior y exterior y de haber instalado las tuberías y los cables, vuelva a comprobar que no hay fugas de refrigerantes, conexiones flojas o polaridad incorrecta.
- ▶ Mida la impedancia entre el bloque de terminales (L, N, ⊕) de la fuente de alimentación de las unidades y el suelo con un megaóhmetro de 500 V y compruebe que sea mayor o igual a 1,0 MΩ.

8.2. Prueba de funcionamiento

- Consulte el manual de instalación que se incluye con cada controlador remoto para obtener más información.

8.3. Autotest

- Consulte el manual de instalación que se incluye con cada controlador remoto para obtener más información.
- El termostato de radiofrecuencia no está establecido.

Errores detectados por la unidad interior

Controlador remoto cableado Termostato de radiofrecuencia Código de comprobación	Síntoma	Observaciones
P1	Error del sensor de admisión	
P2	Error del sensor del tubo (TH2)	
P9	Error del sensor del tubo (TH5)	
E6, E7	Error de comunicación con unidad interior/exterior	
P4	Error del sensor de drenaje	
P5	Error de la bomba de drenaje	
PA	Error del compresor forzado	
P6	Funcionamiento de seguridad por helada/sobrecalentamiento	
EE	Error de comunicación entre unidades interior y exterior	
P8	Error de temperatura del tubo	
E4	Error de recepción de señal del controlador remoto	
Fb	Error del sistema de control de la unidad interior (error de memoria, etc.)	

Errors detected by unit other than indoor unit (outdoor unit, etc.)

Controlador remoto cableado Termostato de radiofrecuencia Código de comprobación	Síntoma	Observaciones
E9	Error de comunicación de la unidad interior/exterior (error de transmisión) (unidad exterior)	
UP	Interrupción del compresor por sobrecorriente	
U3, U4	Apertura/corte de termistores de la unidad exterior	
UF	Interrupción por sobrecorriente del compresor (si el compresor está bloqueado)	
U2	Temperatura de descarga anormalmente alta/49C funcionó/refrigerante insuficiente	
U1, Ud	Presión anormalmente alta (63H funcionó)/Funcionamiento de seguridad por sobrecalentamiento	Para información detallada, compruebe la pantalla de LEDs del cuadro del controlador exterior.
U5	Temperatura anormal del cuerpo de refrigeración	
U8	Parada de seguridad del ventilador de la unidad exterior	
U6	Interrupción del compresor por sobrecorriente/Anomalía en el módulo de alimentación	
U7	Anomalía de sobrecalentamiento debido a una baja temperatura de descarga	
U9, UH	Anomalía (tensión demasiado alta o baja, señal asíncrona anormal al circuito principal)/Error del sensor de corriente	

8. Prueba de funcionamiento

- Controlador remoto cableado
Compruebe el código que aparece en la LCD.
- Si no se puede activar la unidad adecuadamente después de haberse llevado a cabo la ejecución de prueba, consulte la tabla siguiente para suprimir la causa.

Síntoma		Causa
Controlador remoto cableado / termostato de radiofrecuencia		
PLEASE WAIT	Durante aproximadamente 2 minutos después del encendido.	<ul style="list-style-type: none"> Durante aproximadamente 2 minutos después del encendido, no se puede utilizar el control remoto debido al proceso de calentamiento del equipo. (Funcionamiento correcto)
PLEASE WAIT → Código de error	Aproximadamente 2 minutos después de haber finalizado el encendido.	<ul style="list-style-type: none"> El conector del dispositivo de protección de la unidad exterior no está conectado. Cableado de fase abierta o invertida del bloque de terminales de alimentación de la unidad exterior.
NO aparecen mensajes en pantalla aunque se active el interruptor de funcionamiento		<ul style="list-style-type: none"> Cableado incorrecto entre las unidades interior y exterior (polaridad incorrecta de S1, S2, S3). El cable del controlador remoto es corto

Nota:

No se puede utilizar durante aproximadamente 30 segundos después de cancelar la selección de funciones. (Funcionamiento correcto)

Para la descripción de cada uno de los LED (LED 1, 2, 3) de los controladores interiores, consulte la tabla siguiente.

LED1 (alimentación para microordenador)	Indica si se suministra alimentación de control. Asegúrese de que este LED esté siempre encendido.
LED2 (alimentación para controlador remoto cableado)	Indica si se suministra alimentación al controlador remoto cableado.
LED3 (comunicación entre unidades interior y exterior)	Indica el estado de comunicación entre las unidades interior y exterior. Asegúrese de que este LED esté siempre parpadeando.

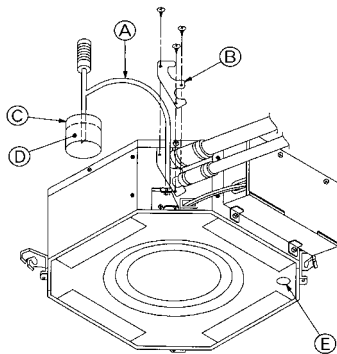


Fig. 8-1

8.4. Comprobación del drenaje (Fig. 8-1)

- En el momento de comprobar, asegúrese de que el agua se drena correctamente y que no pierde por las juntas.
 - Realice siempre esta comprobación durante la instalación, incluso cuando no se requiera que la unidad proporcione refrigeración/secado en ese momento.
 - De igual manera, compruebe el drenaje antes de terminar la instalación de los techos de los locales nuevos.
- Quite la tapa de la entrada de suministro de agua y añada aproximadamente 1000 cc, 1/4 gal de agua usando una bomba de suministro de agua o dispositivo similar. Durante este proceso, tenga cuidado de que no penetre agua en el mecanismo de la bomba de drenaje.
 - Confirme que el agua se drena a través de la salida de drenaje, después de haber pulsado el interruptor del modo de controlador remoto al modo de prueba de funcionamiento (modo de refrigeración).
 - Después de haber comprobado el drenaje, coloque nuevamente la tapa y aisle el suministro eléctrico.
 - Después de confirmar que el sistema de drenaje funciona, coloque nuevamente el tapón de drenaje.
 - Introduzca el extremo de la bomba de 3 a 5 cm, 1-3/16 a 2 pulg.
 - Tapa de la entrada de suministro de agua
 - Aproximadamente unos 1000 cc, 1/4 gal
 - Agua
 - Tapón de drenaje

This product is designed and intended for use in the residential,
commercial and light-industrial environment.

Please be sure to put the contact address/telephone number on
this manual before handing it to the customer.