

SUBMITTAL DATA: MSY-D36NA-8 & MUY-D36NA-1

36,000 BTU/H WALL-MOUNTED AIR-CONDITIONING SYSTEM

Job Name:	Location:	Date:
Purchaser:	Engineer:	
Submitted to:	For <input type="checkbox"/> Reference <input type="checkbox"/> Approval <input type="checkbox"/> Construction	
System Designation:	Schedule No.:	



Indoor Unit: MSY-D36NA-8



Wireless Remote Controller



Outdoor Unit: MUY-D36NA-1

GENERAL FEATURES

- Catechin and anti-allergy enzyme filters for high air-purification capabilities
- Updated sleek, compact indoor unit design
- Remote-controlled wide airflow enables ideal horizontal air distribution
- Self-check function—onboard diagnostics
- Advanced microprocessor control
- Auto restart following a power outage
- Hand-held Wireless Remote Controller
- Anti-allergy Enzyme Filter
- Limited warranty: five years parts and seven years compressors

ACCESSORIES

Outdoor Unit

- Drain Socket Assembly (MAC-811DS)

Indoor Unit

- Three-pole Disconnect Switch (TAZ-MS303)
- Condensate Pump (230V; SI3100-230)

Controller Options

- Wireless Wall-mounted Remote Controller Kit (MHK1)*
- Portable Central Controller (MCCH1)*
- Outdoor Air Sensor (MOS1)*
- Wired Wall-mounted Controller (PAR-31MAA requires MAC-333IF)*
- Simple MA Remote Controller (PAC-YT53CRAU requires MAC-333IF)*

*See Submittal for information on each option.

- System Control Interface (MAC-333IF)
- Remote Temperature Sensor (M21-JKO-307)
- Lockdown Bracket for Hand-held Controller (RCMKP1CB)



SPECIFICATIONS: MSY-D36NA-8 & MUY-D36NA-1

Cooling*

Rated Capacity34,600 Btu/h
 Minimum Capacity9,800 Btu/h
 SEER15.1 Btu/h/W
 Total Input..... 4,240 W

* Rating Conditions per AHRI Standard

Cooling | Indoor: 80° F (27° C) DB / 67° F (19° C) WB
 Cooling | Outdoor: 95° F (35° C) DB / 75° F (24° C) WB

ELECTRICAL REQUIREMENTS

Power Supply 208 / 230V, 1-Phase, 60 Hz
 Breaker Size.....25 A

Voltage

Indoor - Outdoor S1-S2 AC 208 / 230V
 Indoor - Outdoor S2-S3DC ±24V
 Indoor - Remote Controller..... MKH1 DC 3V
 PAR-31MAA DC 12V
 PAC-YT53CRAU DC 12V

OPERATING RANGE

		Indoor Intake Air Temp.	Outdoor Intake Air Temp.
Cooling	Maximum	90° F (32° C) DB 73° F (23° C) WB	115° F (46° C) DB
	Minimum	67° F (19° C) DB 57° F (14° C) WB	14° F (-10° C) DB

Indoor Unit

MCA 1 A
 Blower Motor (ECM)..... 0.76 F.L.A.
 Airflow
 Cooling (Lo - Med - Hi - Powerful) 389 - 639 - 848 - 887 Dry CFM
 350 - 576 - 763 - 798 Wet CFM
 Sound Pressure Level
 Cooling (Lo - Med - Hi - Powerful) 32 - 42 - 49 - 51 dB(A)

DIMENSIONS	UNIT INCHES / MM
W	46-1/16 / 1,170
D	11-5/8 / 295
H	14-3/8 / 365

Weight40 lbs. / 18 kg
 External Finish Munsell No. 1.0Y 9.2 / 0.2
 Field Drainpipe Size O.D..... 5/8" / 15.88 mm
 Remote Controller Wireless

Outdoor Unit

Compressor DC Inverter-driven Rotary
 MCA 21 A
 Fan Motor (ECM) 0.93 F.L.A.
 Sound Pressure Level
 Cooling56 dB(A)

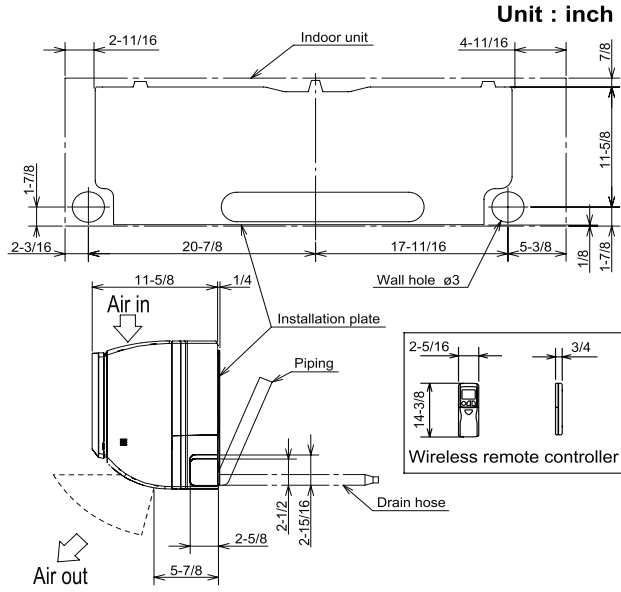
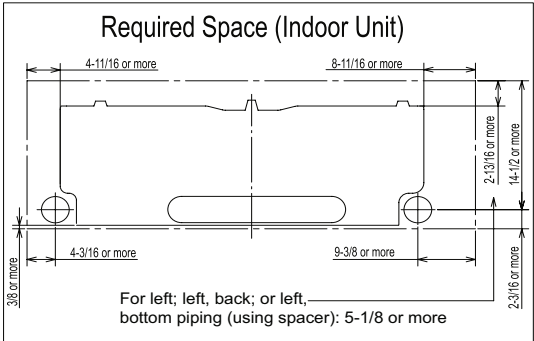
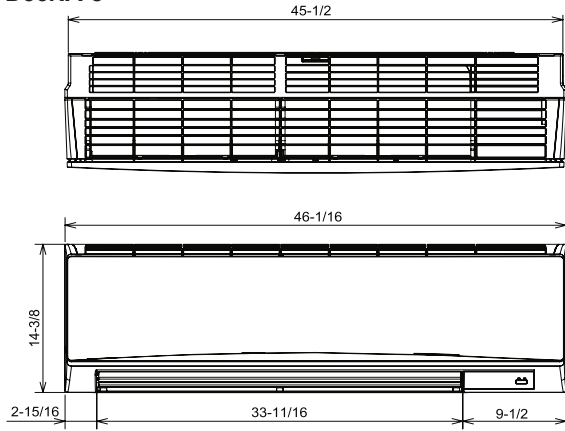
DIMENSIONS	INCHES / MM
W	33-1/16 / 840
D	13 / 330
H	33-7/16 / 849

Weight126 lbs. / 57 kg
 External FinishMunsell No. 3Y 7.8 / 1.1
 Refrigerant Type R410A
 Refrigerant Pipe Size O.D.
 Gas Side 5/8" / 15.88 mm
 Liquid Side..... 3/8" / 9.53 mm
 Max. Refrigerant Pipe Length..... 100' / 30 m
 Max. Refrigerant Pipe Height Difference 50' / 15 m
 Connection Method Flared

Notes:

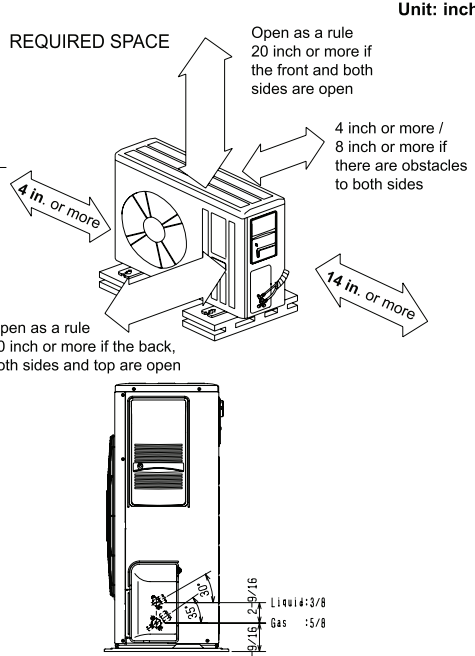
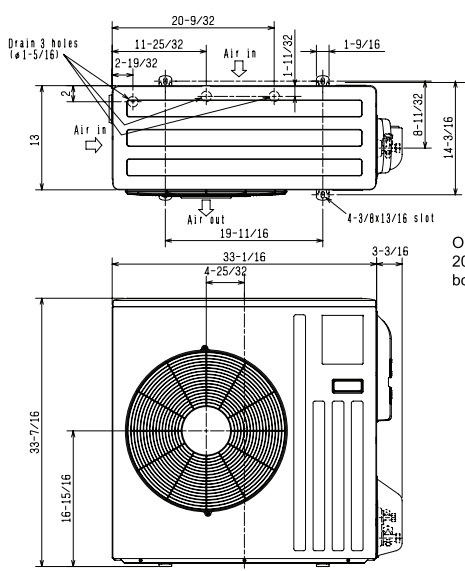
DIMENSIONS: MSY-D36NA-8 & MUY-D36NA-1

MSY-D36NA-8

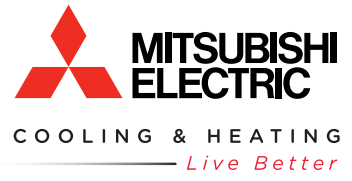


	Piping	Insulation
Liquid line	ø3/8 19-11/16 (Flared connection ø3/8)	ø1-1/4 O.D. ø9/16 I.D.
Gas line	ø5/8 16-7/8 (Joint connection ø5/8)	ø1-15/16 O.D. ø1-1/4 I.D.
Joint	ø5/8 (Flared connection ø5/8)	ø1-15/16 O.D. ø1-1/4 I.D.
Drain hose	Insulation ø1-1/8 Connected part ø9/16 O.D.	

MUY-D36NA-1



Intertek



1340 Satellite Boulevard
Suwanee, GA 30024
Tele: 678-376-2900 • Fax: 800-889-9904
Toll Free: 800-433-4822
www.mehvac.com