

### 48" FENWICK VANITY

#### PRODUCT SPECIFICATIONS

**Height:** 38-1/2" - includes 4" backsplash

**Depth:** 19"

**Width:** 48"

**Solids:** Yellow Poplar

**Veneers:** (MPW) Engineered Oak

**Panels:** MDF + Plywood

**Number of Doors:** Two

**Number of Drawers:** Three

**USB/Power Component:** Yes  
(ETL5011080)

**Cord Length:** 6'6"

**Installation Type:** Floor Standing

**Assembly Required:** Attach the top  
with sink to the cabinet

**Hardware Features:** European Soft  
Close Hinges, Full Extension Soft Close  
Glides, Adjustable Levers

**Hardware Material:** Zinc Alloy

**Hardware Finish:** Champagne Brass  
(BW, KNO) and Satin Nickel (SBL)

**Sink Top Included:** Yes

**Sink Top Material:** Engineered White  
Composite Stone

**Number of Basins:** One

**Faucet:** 8" Widespread - not included

**Basin Overflow:** Yes - facing front

**Fits Drain Hole Size:** 1-3/8"

#### AVAILABLE FINISHES

 BRIGHT WHITE  
MN252V48BW

 CHAMPAGNE  
BRASS

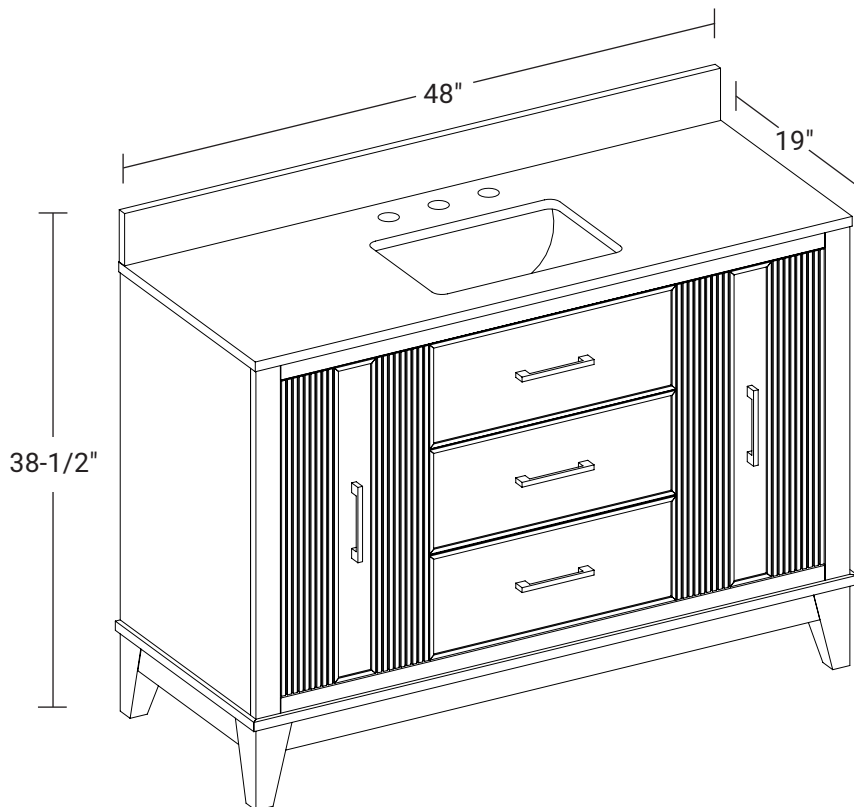
 KONA  
MN252V48KNO

 CHAMPAGNE  
BRASS

 SOFT BLUE  
MN252V48SBL

 SATIN NICKEL

#### PRODUCT DIMENSIONS



ASME A112.19.2-2018/CSA B45.1-18

**SINK MODEL:** F2014B

**CUPC FILE NO:** 14592

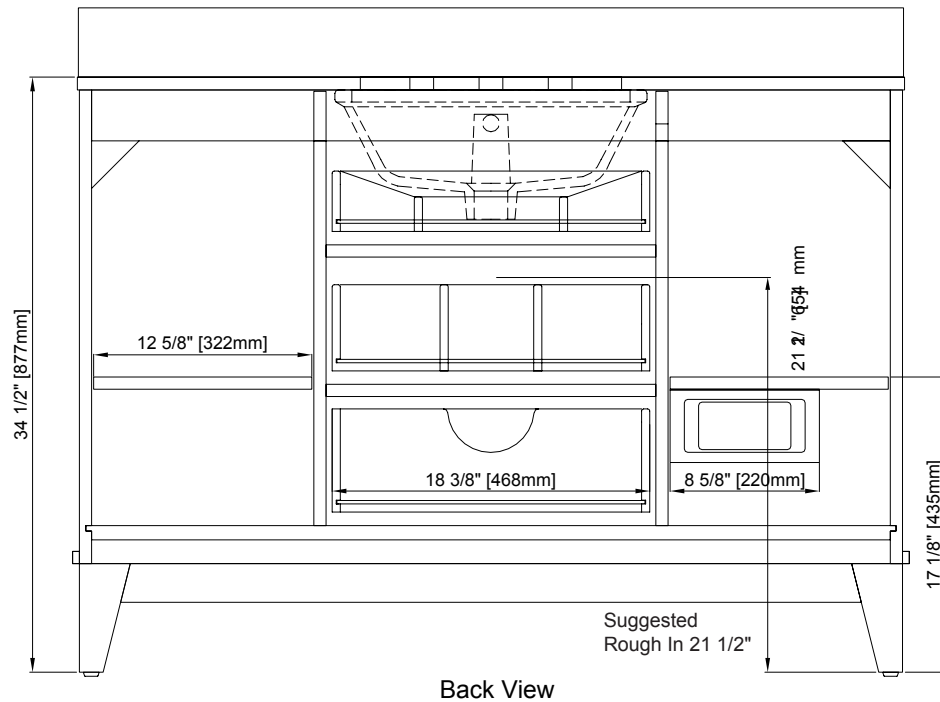
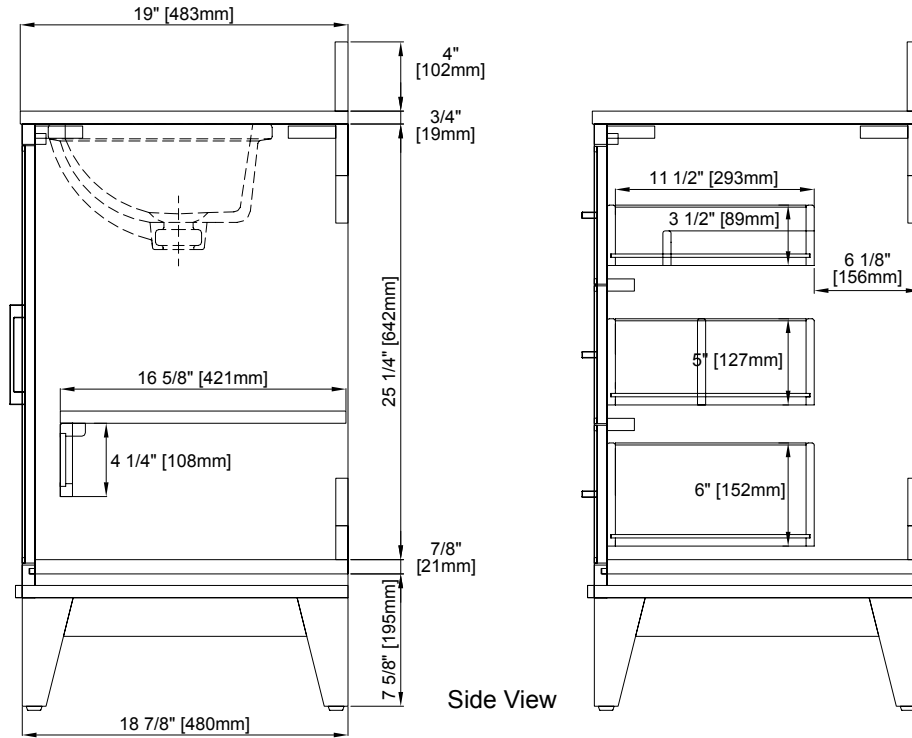
All dimensions are nominal

1/3



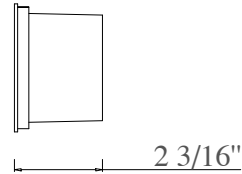
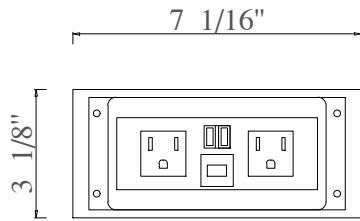
## 48" FENWICK VANITY

### PRODUCT DIMENSIONS



All dimensions are nominal

# Electrical Outlet Specifications and Requirements



Intertek

5011080

Part: JM-ELECUSB18

## REQUIRED ELECTRICAL SERVICE:

One dedicated circuit required, protected with a Class A Ground-Fault Circuit Interrupter (**GFCI**)

or

Residual Current Device (**RCD**)

## SPECIFICATIONS:

**120 V 15 A 60 Hz**

**IMPORTANT:** James Martin recommends you always consult with a professional electrical contractor with questions regarding proper installation of this device in your home.

Plug the cord into a properly grounded outlet.

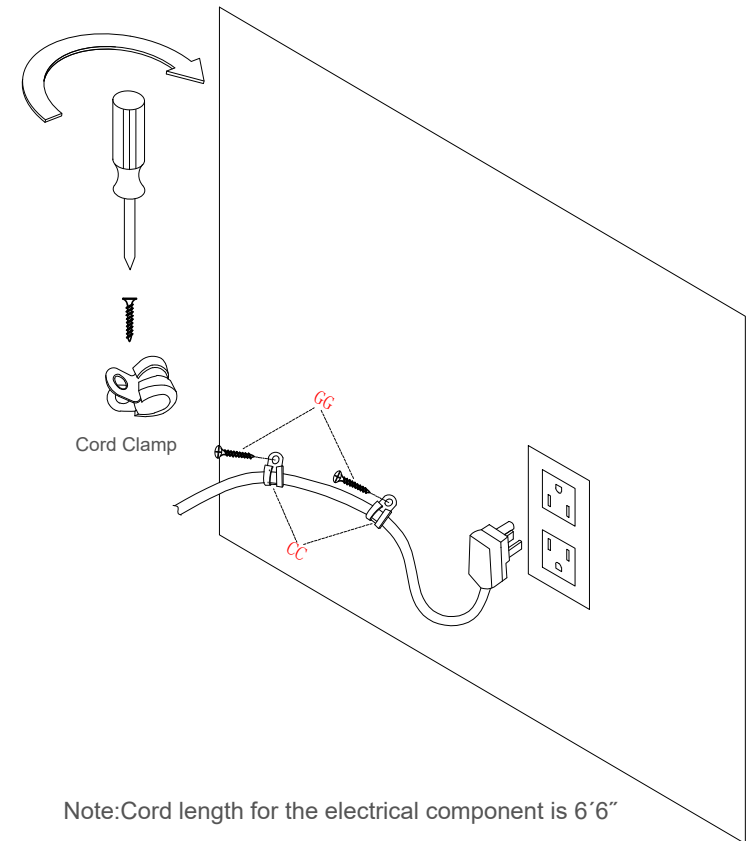
Use the cord clamps (provided in a red hardware bag) to secure the cord and remove slack.

Clamps are also included for securing the cord to the underside of the shelf.

**CC**=4PCS Cord Clamp



**GG**=4PCS 1-1/4" Long Screws



Note: Cord length for the electrical component is 6'6"

Version: 202408