

**JETCOAT**<sup>®</sup>  
SHOWER WALL SYSTEM

**REFLECTIONS™**

**MODEL#:**

**RFL603696-SSS**

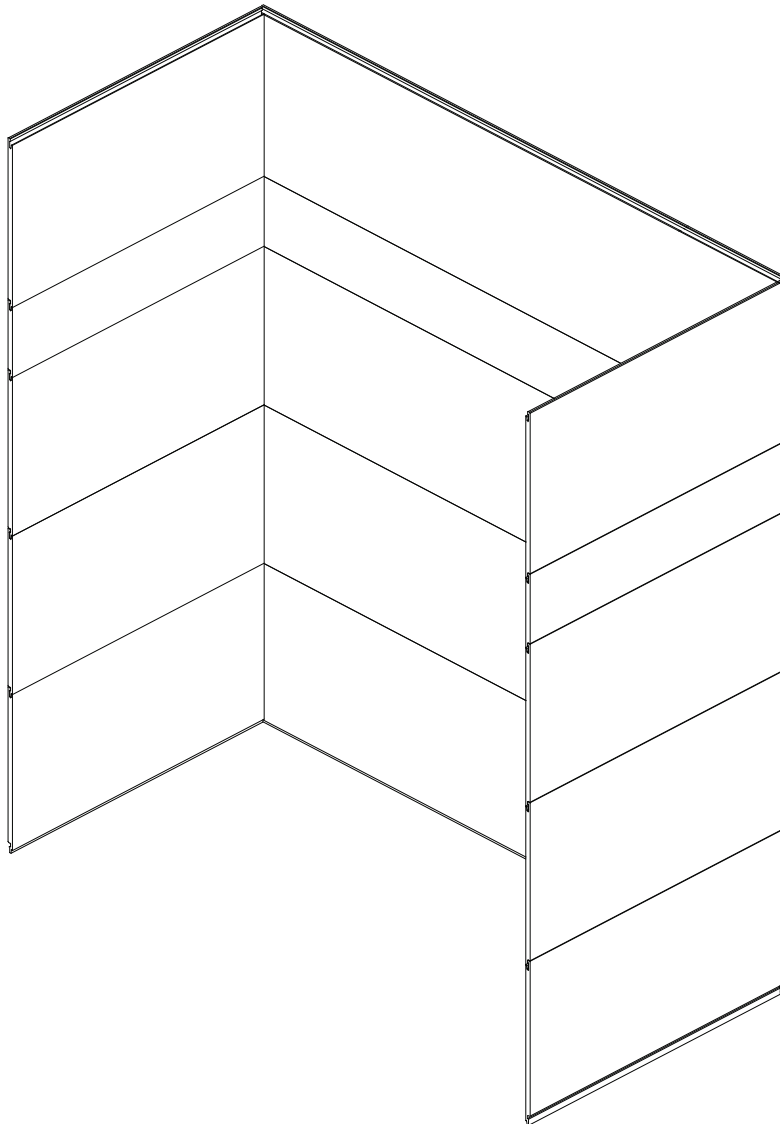
**RFL603696-SMH**

**RFL603696-CSS**

**READ THE INSTRUCTIONS CAREFULLY**

Familiarize yourself with all the parts as shown in the exploded view. The exploded view will also provide a helpful reference when relating to the location of the various parts and how they are mounted.

COPY THE MODEL NUMBER FOR YOUR RECORDS HERE #



**Toll Free Customer Assistance 1-888-620-3667** US Customers

Monday-Friday, 7:30 a.m. To 5:00 p.m. CST

**1-888-256-7551** Canada Customers

906 Murray Rd., East Hanover, NJ 07936  
USA: [www.craftandmain.com](http://www.craftandmain.com)

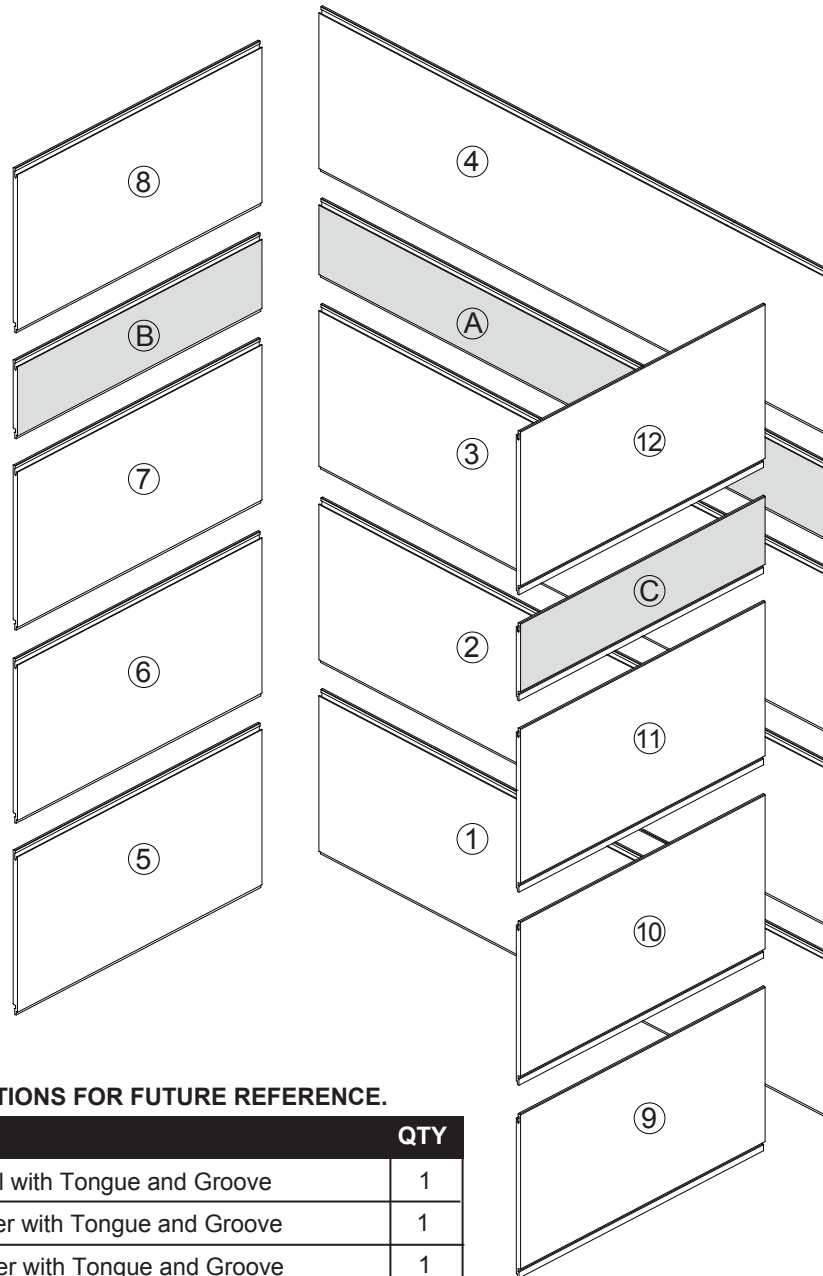
5970 Chedworth Way, Unit B, Mississauga, Ontario, Canada L5R 4G5  
CANADA: [www.craftandmain.ca](http://www.craftandmain.ca)

## TABLE OF CONTENTS

---

|   |      |
|---|------|
| Package Contents . . . . .                      | 3    |
| Safety Information . . . . .                    | 4    |
| Preparation . . . . .                           | 4-5  |
| Assembly or Installation Instructions . . . . . | 6-18 |
| Care and Maintenance . . . . .                  | 19   |
| Warranty . . . . .                              | 20   |

# PACKAGE CONTENTS



**KEEP THESE INSTRUCTIONS FOR FUTURE REFERENCE.**

| PART | DESCRIPTION                                    | QTY |
|------|--|-----|
| 1    | Back Bottom Panel with Tongue and Groove       | 1   |
| 2    | Back Bottom Center with Tongue and Groove      | 1   |
| 3    | Back Bottom Center with Tongue and Groove      | 1   |
| A    | Back Accent Panel with Tongue and Groove       | 1   |
| 4    | Back Top Panel with Tongue and Groove          | 1   |
| 5    | Left Side Bottom Panel with Tongue and Groove  | 1   |
| 6    | Left Side Center Panel with Tongue and Groove  | 1   |
| 7    | Left Side Center Panel with Tongue and Groove  | 1   |
| B    | Left Side Accent Panel with Tongue and Groove  | 1   |
| 8    | Left Side Top Panel with Tongue and Groove     | 1   |
| 9    | Right Side Bottom Panel with Tongue and Groove | 1   |
| 10   | Right Side Center Panel with Tongue and Groove | 1   |
| 11   | Right Side Center Panel with Tongue and Groove | 1   |
| C    | Right Side Accent Panel with Tongue and Groove | 1   |
| 12   | Right Side Top Panel with Tongue and Groove    | 1   |



**CAUTION: Do not set on corners when handling wall pieces.**

## **SAFETY INSTRUCTIONS**

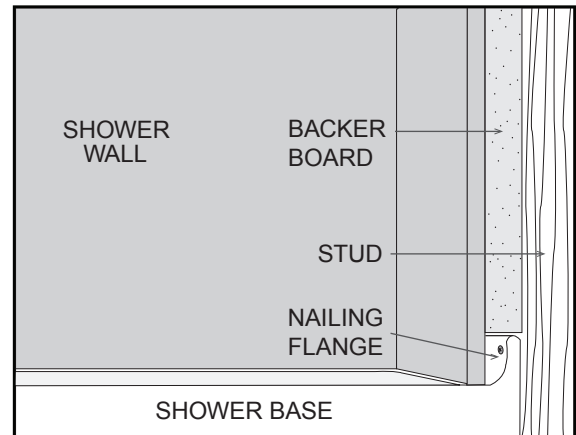
Please read and understand this entire manual before attempting to assemble, operate or install the product.

### **WARNING**

- DO NOT set wall panels on corners when handling.

### **CAUTION**

• When used in conjunction with a shower base that has a nailing flange, the Shower Wall System is designed to be installed as shown in the drawing. The nailing flange of the base should be attached directly to the bare studs with backer board attached to the studs above the nailing flange. Shower walls are installed on the backer board extending down in front of the nailing flange and resting on the base. Failure to install your base in this configuration may cause problems installing the shower walls.



## **PREPARATION**

Before beginning installation of product, make sure all parts are present. Compare parts with package contents list. If any part is missing or damaged, do not attempt to assemble or install the product.

**Tools Required for Assembly (not included):** Utility knife, locking pliers, rubber mallet, circular saw, hole saw, measuring tape.

**Supplies Required for Assembly (Included):** Double-sided construction tape.

**Supplies Required for Assembly (Not Included):** Construction grade adhesive, silicone.

- Begin by measuring the overall width of the back wall after it has been cleaned and prepared for installation.
- If the overall height of the back and/or side walls is less than the height of the panels, trim Panel (4), Panel (8) and Panel (12) to fit.
- Turn off the water supply.
- Remove all shower hardware and decorations, including but not limited to: Faucet handles, escutcheons, filler spouts, towel bars, and soap dishes.
- All plumbing and electrical work inside the walls must be finished prior to installing the wall panels.
- Walls should be solid, plumb, and square within 1/8 inch of true. The Shower Wall System has been designed to allow for trimming, to accommodate minor alignment problems.
- The mounting surface should be cleaned and prepared, according to the Installation Procedure.

### **CAULKING TIPS:**

- Follow the instructions on the tube of your chosen caulk.
- Once you have completed the project, inspect all areas that have been caulked, filling in any gaps as needed.
- Remove any excess caulk using denatured alcohol and a clean cloth. Use caution, and do not to disturb any of the caulk joints.

## PREPARATION

---

### INSTALLATION PROCEDURE:

The Shower Wall System can be installed over a variety of products. Consult with a professional contractor if you intend to apply the panels to any surface other than those described here.

### CEMENT/CONCRETE:

- Depending on the condition (flatness) of the existing wall, additional silicone may be required to properly secure the wall panels to the substrate.
- Surface must be completely clean. This includes but not limited to: Soap scum, dust and any other contaminants that may affect adhesion. Ceramic tiles do not need to be removed, if solidly adhered.
- Recommended: The complete area must be sealed with two coats of water or oil-based sealer, to ensure proper adhesion of the Shower Wall System.
- Complete the installation of the wall panels following the instruction manual, after the sealer has completely dried.

### MASONITE:

- Surface must be completely clean. This includes but not limited to: Soap scum, dust and any other contaminants that may affect adhesion.
- Optional: The complete area sealed with two coats of water or oil-based sealer, to ensure proper adhesion of the Shower Wall System.
- Complete the installation of the wall panels following the instruction manual, after the sealer has completely dried.

### OLD TILE:

**IMPORTANT:** All plastic tiles must be removed. Old ceramic tiles do not need to be removed, if solidly adhered.

- Depending on the condition (flatness) of the existing wall, additional silicone may be required to properly secure the wall panels to the substrate.
- Properly remove and or reattach any loose ceramic tiles.
- Remove all tile accessories attached to the wall. Surface must be completely clean. This includes but not limited to soap scum, dust and any other contaminants that may affect adhesion.
- Complete the shower wall installation by following the instruction manual.

### PLASTER:

- Additional silicone may be required to properly secure the substrate and the wall panel, depending on the condition of the existing wall.
- Smooth all textured and/or swirled finishes by sanding.
- Surface must be completely clean. This includes but not limited to soap scum, dust and any other contaminants that may affect adhesion.
- Recommended: The complete area must be sealed with two coats of water or oil-based sealer, to ensure proper adhesion of the Shower Wall System.
- Complete the installation of the wall panels following the instruction manual, after the sealer has completely dried.

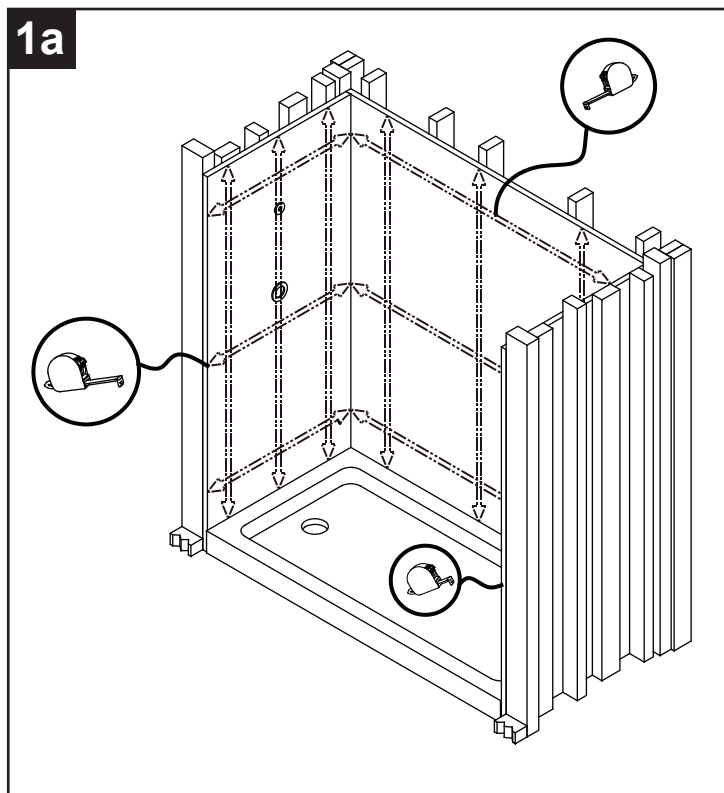
### SHEETROCK/GREENBOARD/CEMENT BOARD/ WOOD:

- Surface must be completely clean and free of soap scum, dust, and any other contaminants that may affect adhesion.
- Optional: The complete area sealed with two coats of water or oil-based sealer, to ensure proper adhesion of the Shower Wall System.
- Complete the installation of the wall panels following the instruction manual, after the sealer has completely dried.

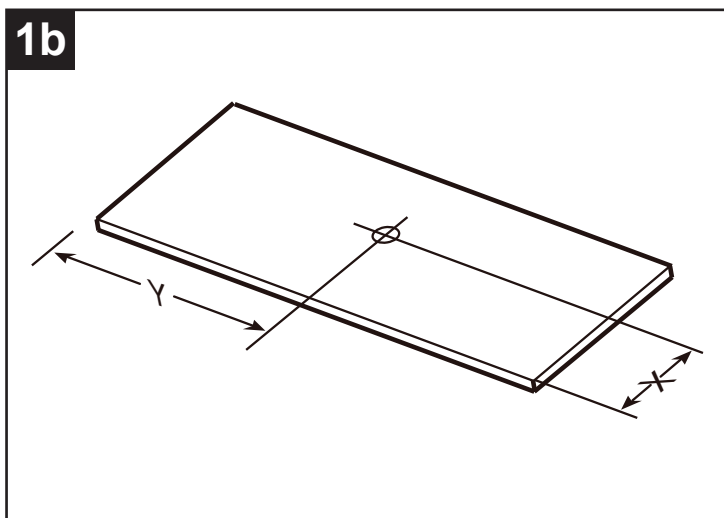
## INSTALLATION INSTRUCTIONS / STEP 1 - HOW TO MEASURE

### STEP 1: HOW TO MEASURE

- 1a. Measure the height of installation area at both ends of each wall. From top of the shower pan to the ceiling. If the ceiling height is less than the height of the panels included in your kit, the panels can be cut down using the cutting procedure outlined in Step 2.
- Measure width of each wall at top and bottom of installation area.



- 1b. Measure cut-out locations for plumbing fixtures and mark them on the back of the appropriate panel(s).



## INSTALLATION INSTRUCTIONS / STEP 2 - HOW TO CUT

### STEP 2: HOW TO CUT

**Note:** The arrows on the label on the back of each panel indicate the TOP of the Panel. Steps 2 & 3 will be repeated when installing each of the 15 wall panels. The following cutting instructions should be used when making all cuts.

- 2a. Carefully draw a line on the back of each panel where the cut is to be made. Any adjustments for out of square or out of plumb should be considered when drawing this line.

**Note:** Using a straight edge when possible is highly recommended.

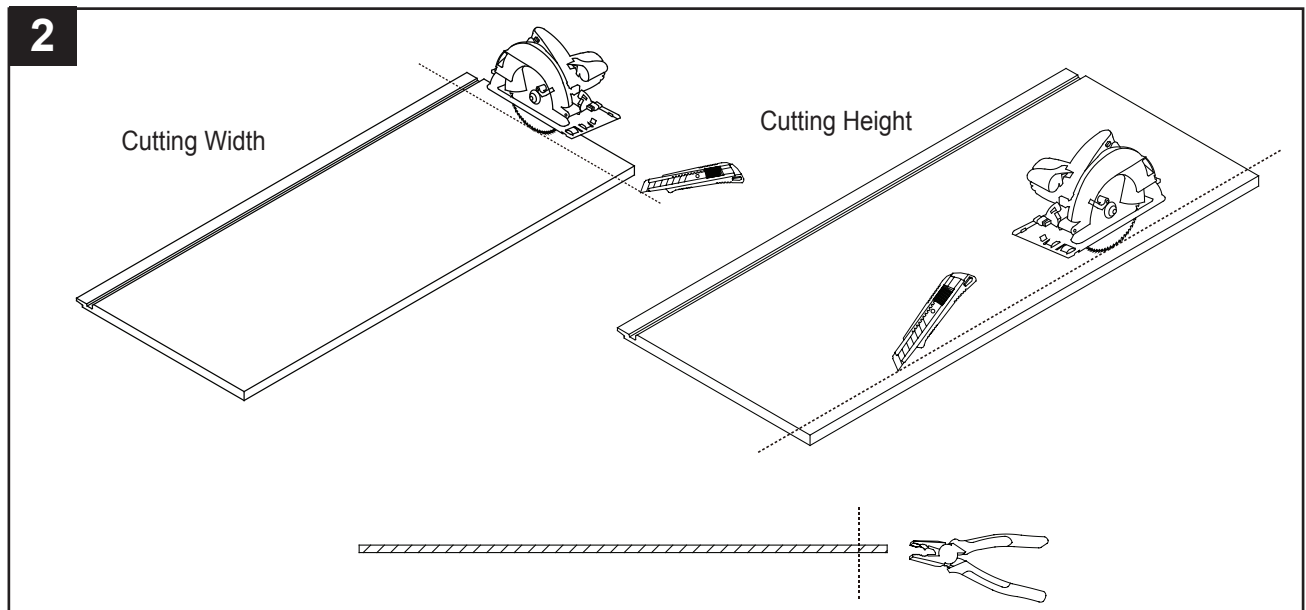
- 2b. Circular saw is recommended for making required cuts. If using utility knife, score the line several times and then use locking pliers to snap off the excess piece as shown.

**Note:** If your installation is less than the full 96" height, you can trim the top of the top panel(s). See installation for Panel (4), Panel (8), and Panel (12).



### WARNING

UNDER NO CIRCUMSTANCES SHOULD THE TONGUE OR GROOVE EDGES BE TRIMMED AS THIS MAY AFFECT WATERTIGHT STATUS OF THE FINAL INSTALLATION.



### Plumbing Cut-Outs:

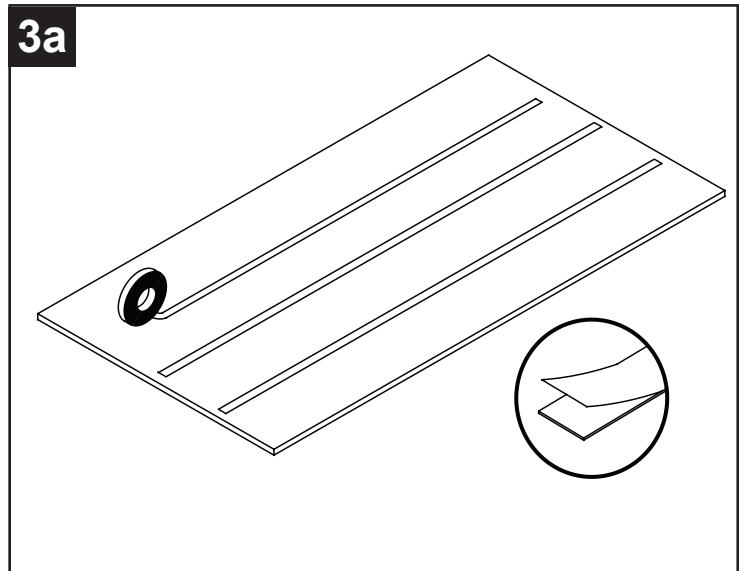
Use a drill and the appropriate size hole saw to create cut-outs for the shower head, filler spout, faucet handles and/or any other cutouts necessary for plumbing that is already in the walls.

**Note:** To be sure your measurements are correct, make a cardboard template to test the plumbing cutouts prior to cutting the shower wall panels. Drill chuck can damage the shower wall panel surface. Drill holes from back side of panel.

## INSTALLATION INSTRUCTIONS / STEP 3 - HOW TO APPLY ADHESIVES

### STEP 3: HOW TO APPLY ADHESIVE AND TAPE TO BACK SIDE OF WALL PANELS

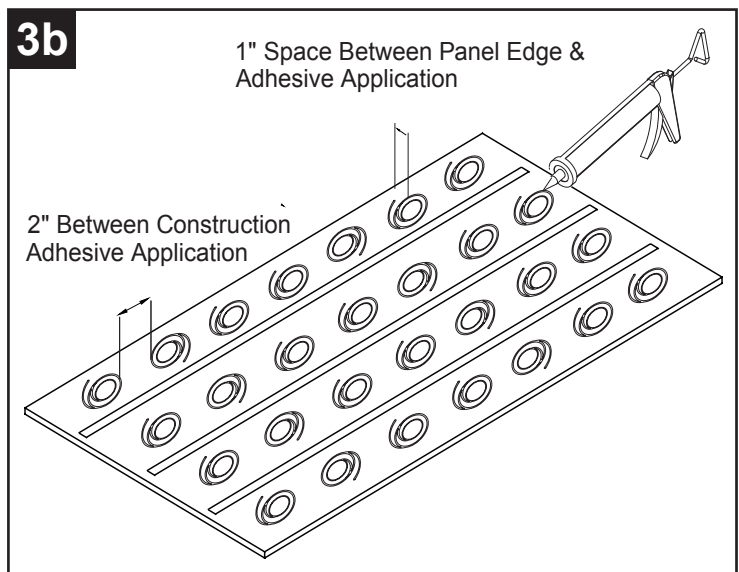
3a. Apply double-sided construction tape to the back of the wall panel as shown.



3b. Apply construction grade adhesive to the spaces between the tape as shown in a circular panel.

The beads of adhesive should be 2" apart and up to, but no closer than 1" from the panel edge.

**Note:** The circular pattern is critical for proper adhesion.





## INSTALLATION INSTRUCTIONS / STEP 4

### STEP 4: INSTALL BACK BOTTOM WALL PANEL (1)

**Note:** You must install the back wall panels in the correct order and orientation to insure a watertight finished product.

There is a label on the back of each panel that indicates the panel number and an arrow that points to the TOP edge of that panel. Panels 1, 2, 3, A and 4 make up the back wall section of your shower wall enclosure.

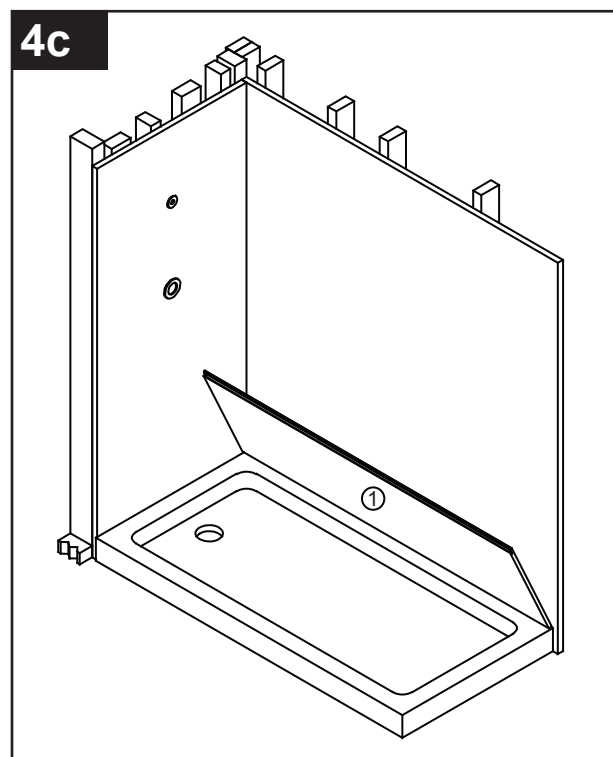
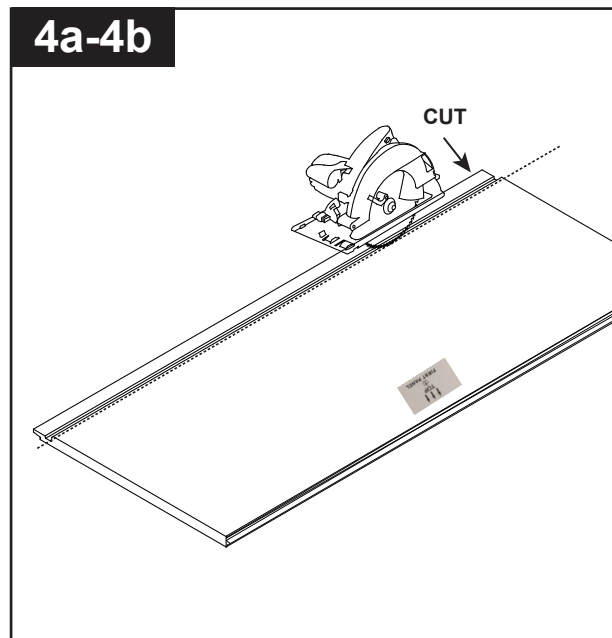
- 4a. Locate **Panel (1)** Back Wall Panel and lay it down on a flat surface.

#### RECOMMENDATION:

Cut and remove the Tongue edge.

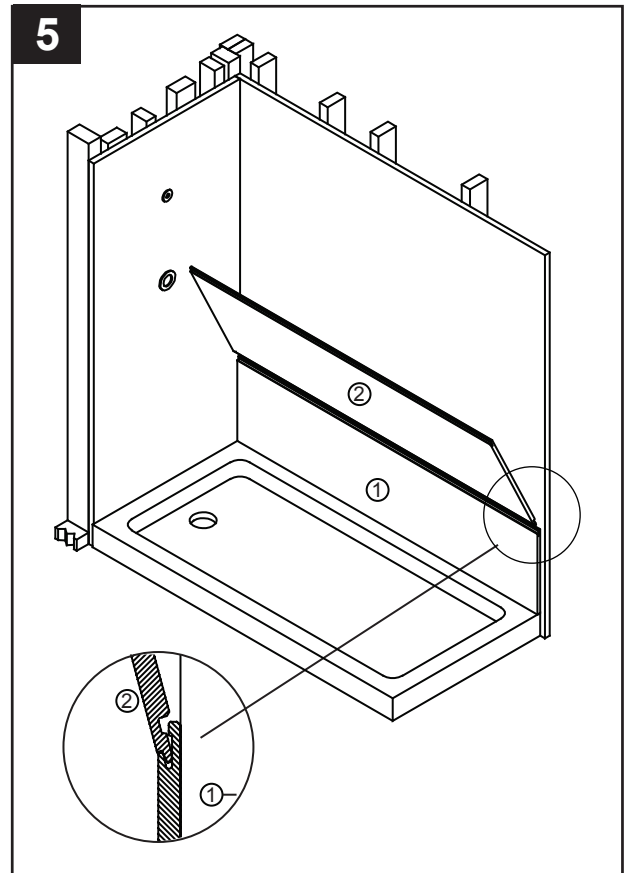
Notice the label on the back of the panel, indicating the TOP edge. On the back of Panel (1), carefully draw a line along the Tongue edge on the BOTTOM of the panel. Any adjustments for out of square or out of plumb should be considered when drawing this line.

- 4b. Based on your measurements from Step 1 (How to Measure), cut the panel to the appropriate size. Trim width equally from both ends of panel.
- 4c. Apply the tape and construction adhesive as explained in Step 3.
- 4d. Peel off double-sided tape from the back of the panel. Position the panel at approximately a 30 degree angle, push the bottom edge into the corner where the wall meets the shower panel and then carefully push the panel towards the back wall.
- 4e. Push panel firmly against the wall, smoothing out any air bubbles along the entire area and then lightly tap on wall panel with a rubber mallet from top to bottom and end to end to ensure it is tightly connected to the wall.



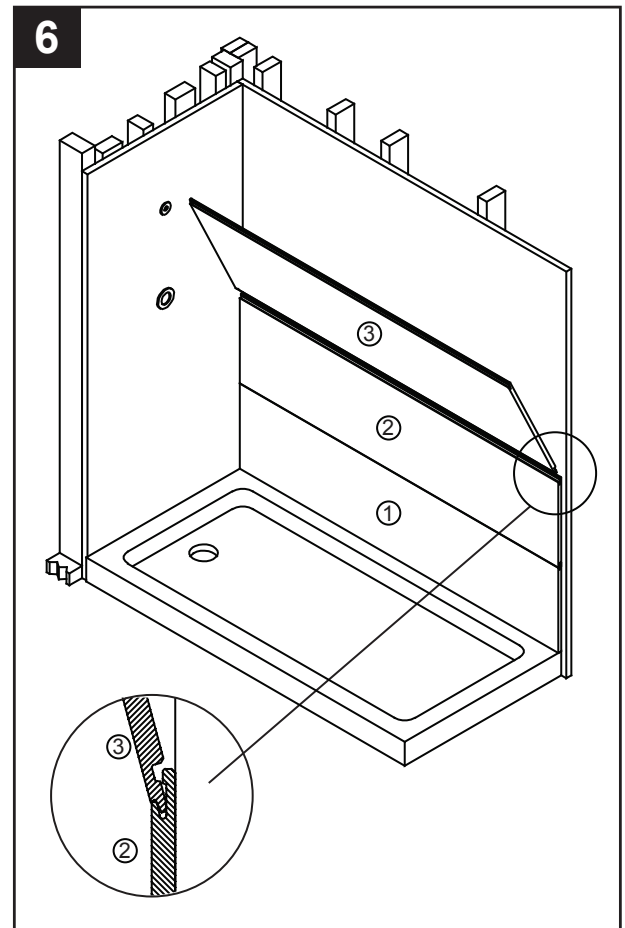
**STEP 5: INSTALL BACK WALL PANEL (2)**

- 5a. Locate Panel (2) Back Wall Panel and lay it down on a flat surface.
- 5b. Based on your measurements from Step 1 (How to Measure), trim the width equally from both ends of panel. **(Do not cut off the interlocking feature, adjust width only).**
- 5c. Repeat Steps 4c. - 4e.



**STEP 6: INSTALL BACK WALL PANEL (3)**

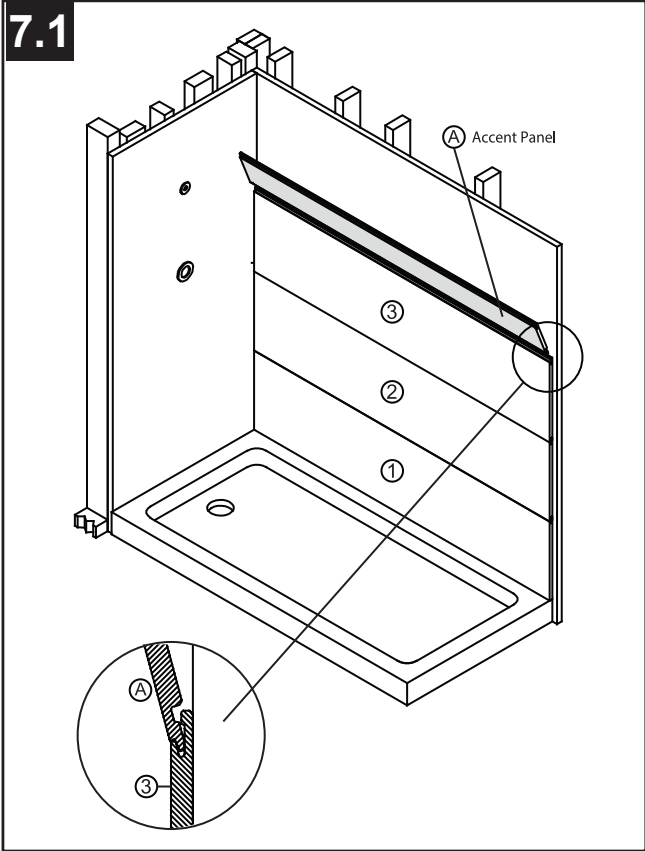
- 6a. Locate Panel (3) Back Wall Panel and lay it down on a flat surface.
- 6b. Based on your measurements from Step 1 (How to Measure), trim the width equally from both ends of panel. **(Do not cut off the interlocking feature, adjust width only).**
- 6c. Repeat Steps 4c. - 4e.



**INSTALLATION FOR MODEL#  
RFL603696-SSS / RFL603696-CSS**

**STEP 7.1: INSTALL BACK ACCENT  
PANEL (A) SUBWAY**

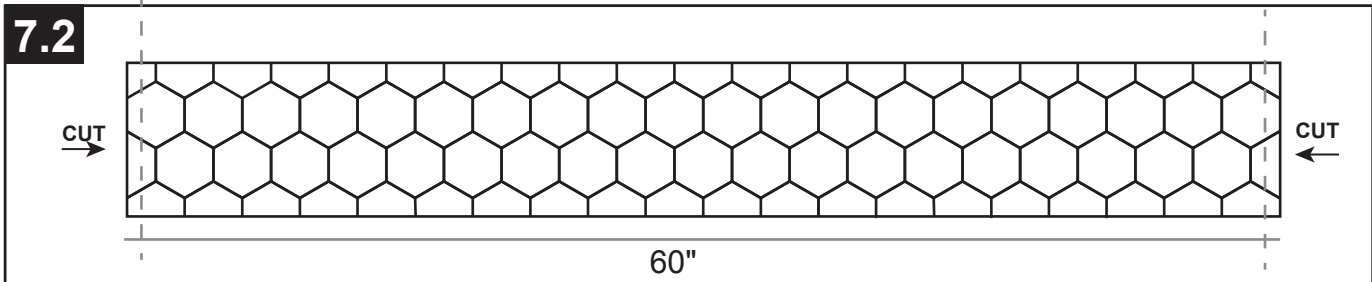
- 7.1a. Locate **Panel (A)** Back Accent Panel and lay it down on a flat surface.
- 7.1b. Based on your measurements from Step 1 (How to Measure), **trim the width equally from both ends of panel**, as the back corners will be caulked later in the installation and any flaws in the cut can be hidden in the process. **(Do not cut off the interlocking feature, adjust width only).**
- 7.1c. Repeat Steps 4c. - 4e.



**INSTALLATION FOR MODEL#  
RFL603696-SMH (HEXAGON ACCENT)**

**STEP 7.2: INSTALL BACK ACCENT PANEL (A) HEXAGON**

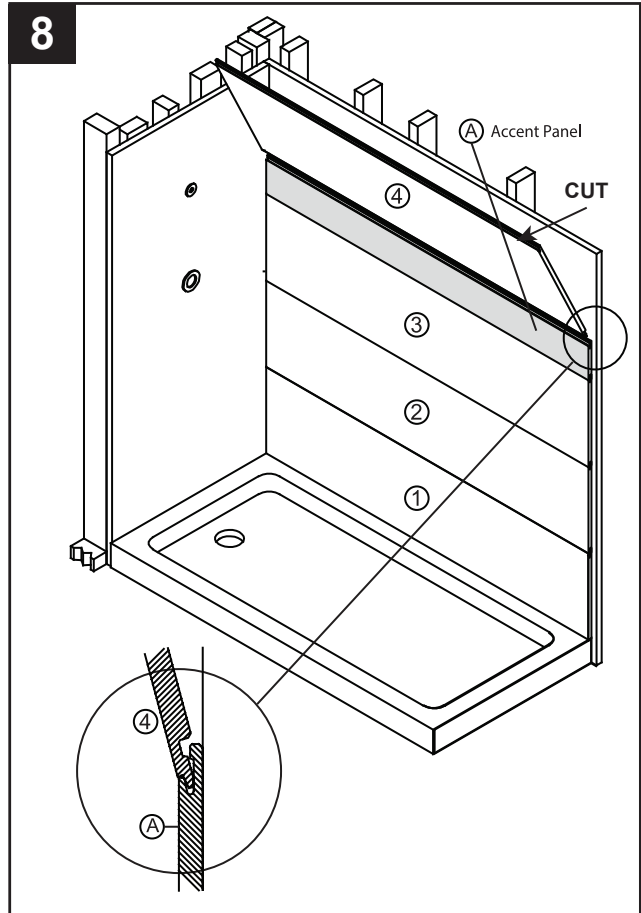
**NOTE:** Your kit includes: (1) 60" Hexagon Back Accent Panel and (2) 42" Hexagon Side Panels - Additional panel length to allow for trim adjustments. Hexagon Accent Panel (A), Panel (B), and Panel (C) install in a continuous horizontal pattern.



- 7.2a. Locate **Panel (A)** Back Accent Panel and lay it down on a flat surface.
- 7.2b. Based on your measurements from Step 1 (How to Measure) trim the **width equally from both ends of panel** as the back corner will be caulked later in the installation and any flaws in the cut can be hidden in the process. **(Do not cut off the interlocking feature, adjust width only).**
- 7.2c. Repeat Steps 4c. - 4e.

**STEP 8: INSTALL BACK WALL TOP PANEL (4)**

- 8a. Locate **Panel (4)** Back Wall Top Panel and lay it down on a flat surface.
- 8b. Based on your measurements from Step 1 (How to Measure), **trim the width equally from both ends of panel**, as the back corners will be caulked later in the installation and any flaws in the cut can be hidden in the process.  
**Note:** If your installation is less than the full 96" height, cut from the top of Panel (4) as needed.
- 8c. Repeat Steps 4c. - 4e.

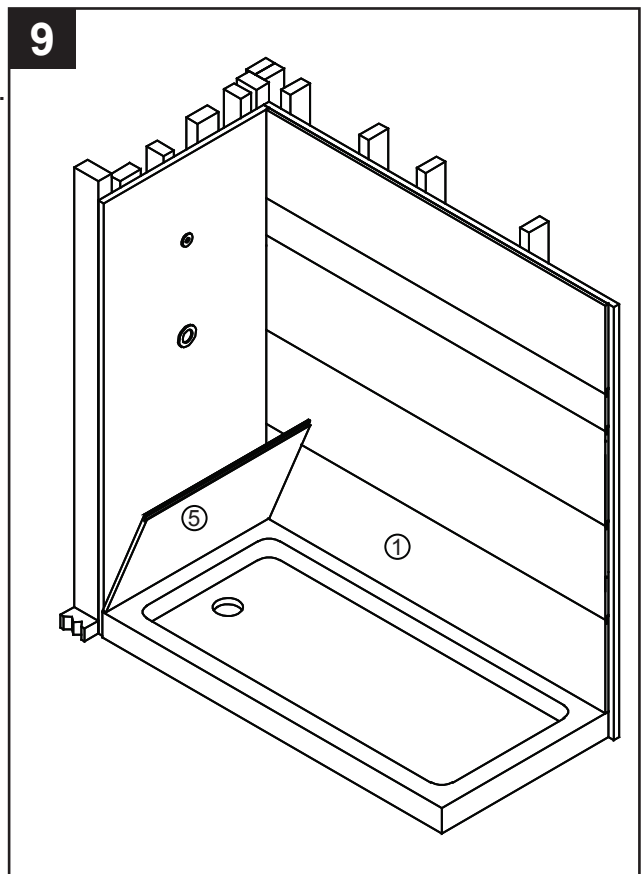


**Step 9: Install Left Side Bottom Wall Panel (5)**

**Note:** You must install the side wall panels in the correct order and orientation to insure a water tight finished product.

There is a label on the back of each panel that indicates the panel number and an arrow that points to the TOP edge of that panel. Panels 5, 6, 7, B and 8 make up the left side wall section of your shower enclosure.

- 9a. Locate **Panel (5)** Left Side Wall Panel and lay it down on a flat surface.  
**RECOMMENDATION:**  
 Cut and remove the Tongue edge.  
**(See STEP 4a Illustration)**  
 Notice the label on the back of the panel, indicating the TOP edge. On the back of Panel (1), carefully draw a line along the Tongue edge on the BOTTOM of the panel. Any adjustments for out of square or out of plumb should be considered.
- 9b. Based on your measurements from Step 1 (How to Measure) trim the *right/inside* end of the panels as the back corner will be caulked later in the installation and any flaws in the cut can be hidden in the process.  
**Panel (5) horizontal grout pattern must align horizontally to Panel(1).**  
**Shim under Panel (5) as needed.**



- 9c. Repeat Steps 4c. - 4e.

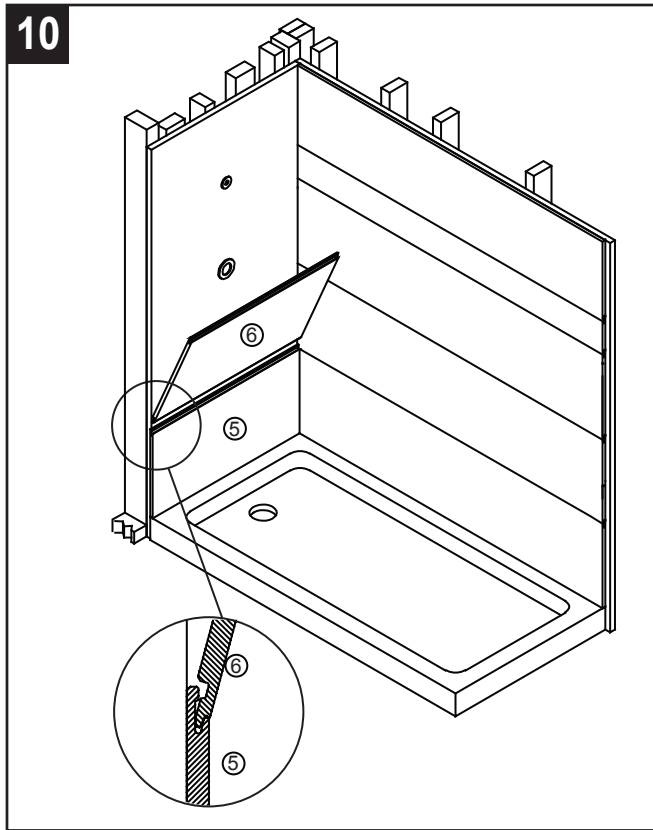
**STEP 10: INSTALL LEFT SIDE WALL PANEL (6)**

- 10a. Locate **Panel (6)** Left Side Panel and lay it down on a flat surface.
- 10b. Based on your measurements from Step 1 (How to Measure), make any required plumbing cut-outs according to the instructions in Step 2 (How to Cut).

**Note:** If you are not using the full width of the left side panels, cut the *right/inside* end of the panels as the back corner will be caulked later in the installation and any flaws in the cut can be hidden in the process.

**(Do not cut off the interlocking feature, adjust width only).**

- 10c. Repeat Steps 4c. - 4e.



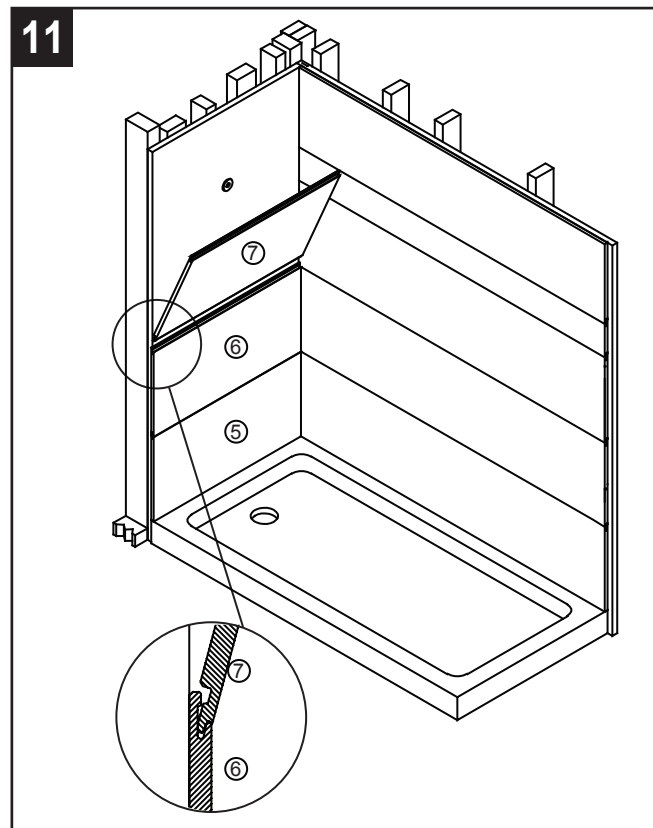
**STEP 11: INSTALL LEFT SIDE WALL PANEL (7)**

- 11a. Locate **Panel (7)** Left Side Panel and lay it down on a flat surface.
- 11b. Based on your measurements from Step 1 (How to Measure), make any required plumbing cut-outs according to the instructions in Step 2 (How to Cut).

**Note:** If you are not using the full width of the left side panels, cut the *right/inside* end of the panels as the back corner will be caulked later in the installation and any flaws in the cut can be hidden in the process.

**(Do not cut off the interlocking feature, adjust width only).**

- 11c. Repeat Steps 4c. - 4e.



**INSTALLATION FOR MODEL#  
RFL603696-SSS / RFL603696-CSS**

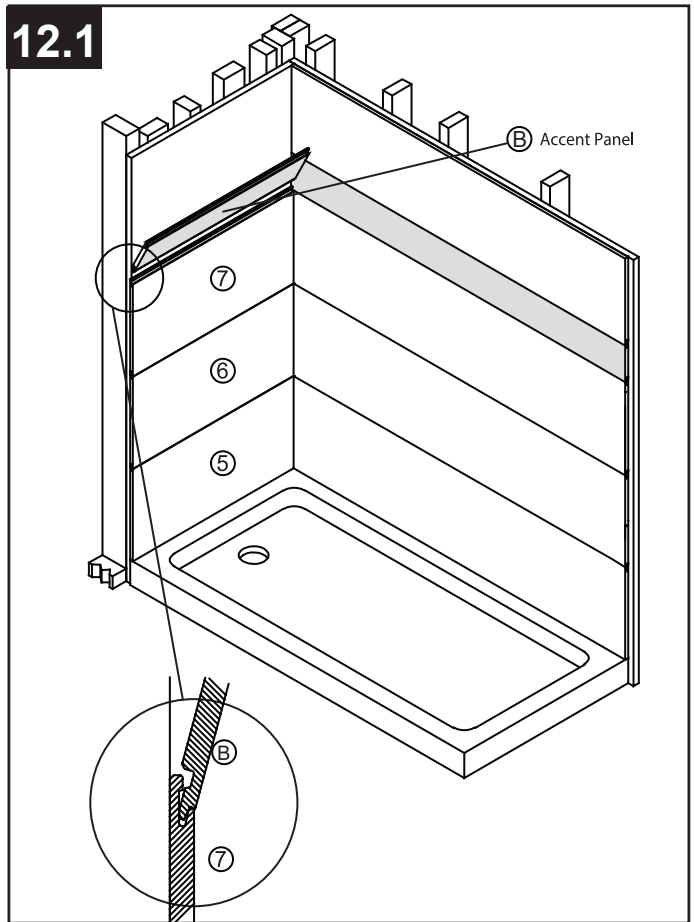
**STEP 12: INSTALL LEFT SIDE  
ACCENT PANEL (B) SUBWAY**

12.1a. Locate **Panel (B)** Left Side Accent Panel and lay it down on a flat surface.

12.1b. Based on your measurements from Step 1 (How to Measure), make any required plumbing cut-outs according to the instructions in Step 2 (How to Cut).

**Note:** If you are not using the full width of the left side panels, cut the *right/inside* end of the panels as the back corner will be caulked later in the installation and any flaws in the cut can be hidden in the process. **(Do not cut off the interlocking feature, adjust width only).**

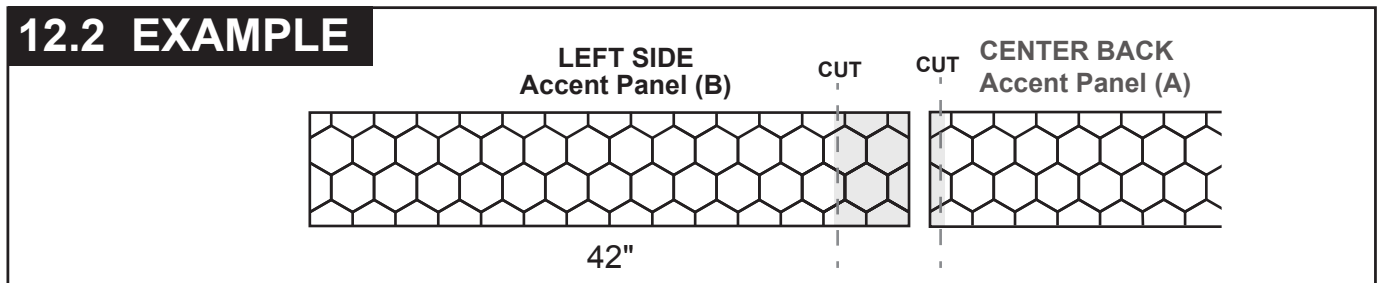
12.1c. Repeat Steps 4c. - 4e.



**INSTALLATION FOR MODEL#  
RFL603696-SMH (HEXAGON ACCENT)**

**STEP 12.2: INSTALL BACK ACCENT PANEL (A) HEXAGON**

**NOTE:** Your kit includes: (1) 60" Hexagon Back Accent Panel and (2) 42" Hexagon Side Panels - Additional panel length to allow for trim adjustments. Hexagon Accent Panel (A), Panel (B), and Panel (C) install in a continuous horizontal pattern.



12.2a. Locate **Panel (B)** Left Side Accent Panel and lay it down on a flat surface.

12.2b. Based on your measurements from Step 1 (How to Measure), trim any necessary adjustments from the **Right/Inside** edge of **Panel (B)**. The amount trimmed will mirror the Hexagon pattern on Center Back Panel (A). **(Do not cut off the interlocking feature, adjust width only).**

12.2c. Repeat Steps 4c. - 4e.



**STEP 13: INSTALL LEFT SIDE WALL PANEL (8)**

- 13a. Locate **Panel (8)** Side Wall Panel and lay it down on a flat surface.
- 13b. Based on your measurements from Step 1 (How to Measure), make any required plumbing cut-outs according to the instructions in Step 2 (How to Cut).

**Note:** If you are not using the full width of the left side panels, cut the *right/inside* end of the panels. If your installation is less than the full 96" height, you can cut down the top of Panel (4) as needed.

- 13c. Repeat Steps 4c. - 4e.

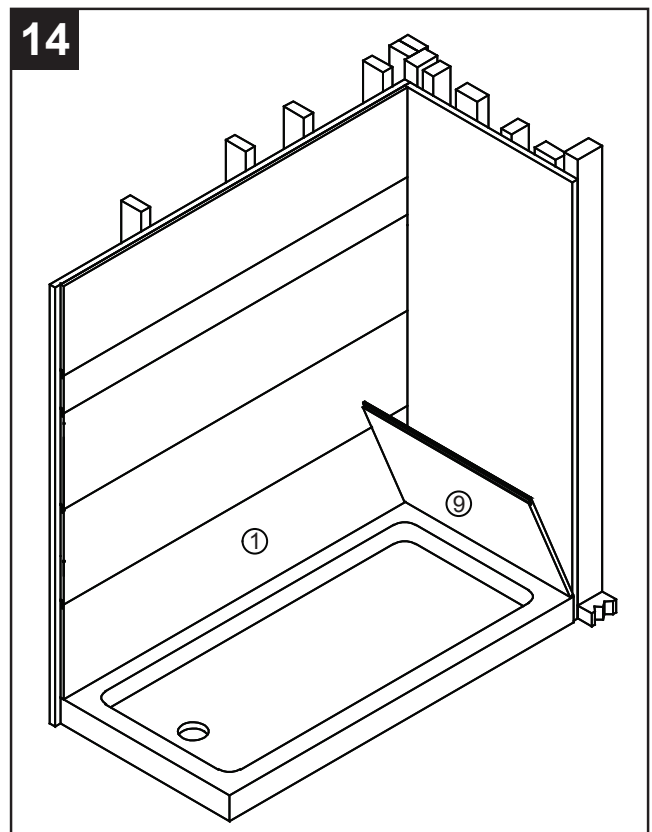
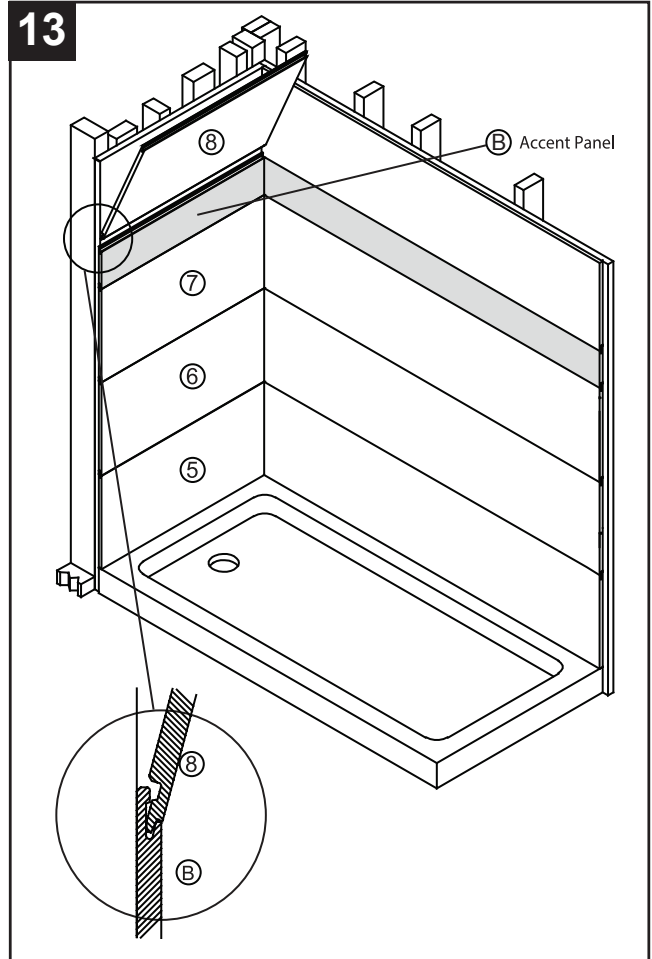
**STEP 14: INSTALL RIGHT SIDE BOTTOM WALL PANEL (9)**

**Note:** You must install the right side wall panels in the correct order and orientation to insure a watertight finished product.

There is a label on the back of each panel that indicates the panel number and an arrow that points to the TOP edge of that panel. Panels 9,10,11, C and 12 make up the right side wall section of your shower wall enclosure.

- 14a. Locate **Panel (9)** Right Side Wall Panel and lay it down on a flat surface.  
**NOTE:** (See STEP 4a Illustration)  
 Notice the label on the back of the panel, indicating the TOP edge. On the back of Panel (9), carefully draw a line along the Tongue edge on the BOTTOM of the panel. Any adjustments for out of square or out of plumb should be considered when drawing this line. Cut to remove the Tongue edge.
- 14b. Based on your measurements from Step 1 (How to Measure) trim the *left/inside* end of the panels.  
**Panel (5) horizontal grout pattern must align horizontally to Panel(1).**  
**Shim under Panel (5) as needed.**

- 14c. Repeat Steps 4c. - 4e.



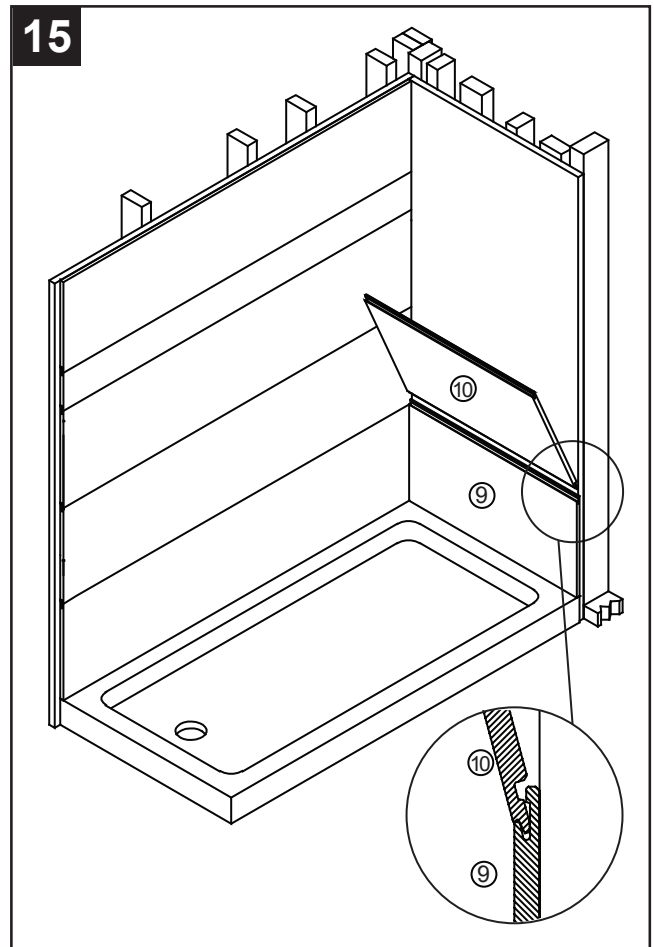
**STEP 15: INSTALL RIGHT SIDE WALL PANEL (10)**

- 15a. Locate **Panel (10)** Right Side Panel and lay it down on a flat surface.
- 15b. Based on your measurements from Step 1 (How to Measure), make any required plumbing cut-outs according to the instructions in Step 2 (How to Cut).

**Note:** If you are not using the full width of the left side panels, cut the *left/inside* end of the panels as the back corner will be caulked later in the installation and any flaws in the cut can be hidden in the process.

**(Do not cut off the interlocking feature, adjust width only).**

- 15c. Repeat Steps 4c. - 4e.



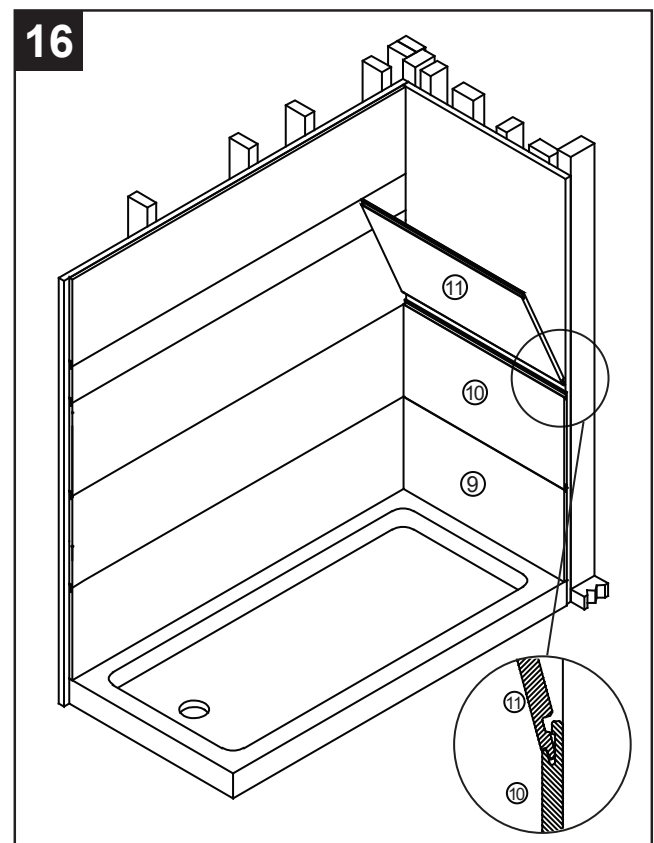
**STEP 16: INSTALL RIGHT SIDE WALL PANEL (11)**

- 16a. Locate **Panel (11)** Right Side Panel and lay it down on a flat surface.
- 16b. Based on your measurements from Step 1 (How to Measure), make any required plumbing cut-outs according to the instructions in Step 2 (How to Cut).

**Note:** If you are not using the full width of the right side panels, cut the *left/inside* end of the panels as the back corner will be caulked later in the installation and any flaws in the cut can be hidden in the process.

**(Do not cut off the interlocking feature, adjust width only).**

- 11c. Repeat Steps 4c. - 4e.





**INSTALLATION FOR MODEL#  
RFL603696-SSS / RFL603696-CSS**

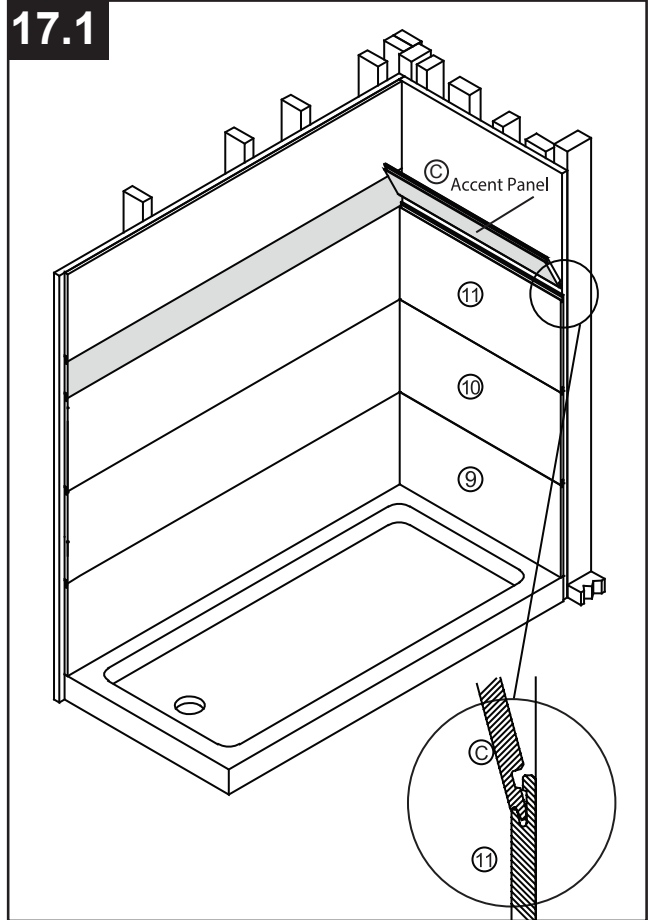
**STEP 17.1: INSTALL RIGHT SIDE  
ACCENT PANEL (C) SUBWAY**

17.1a. Locate Panel (C) Right Side Accent Panel and lay it down on a flat surface.

17.1b. Based on your measurements from Step 1 (How to Measure), make any required plumbing cut-outs according to the instructions in Step 2 (How to Cut).

**Note:** If you are not using the full width of the left side panels, cut the *left/inside* end of the panels as the back corner will be caulked later in the installation and any flaws in the cut can be hidden in the process. **(Do not cut off the interlocking feature, adjust width only).**

17.1c. Repeat Steps 4c. - 4e.

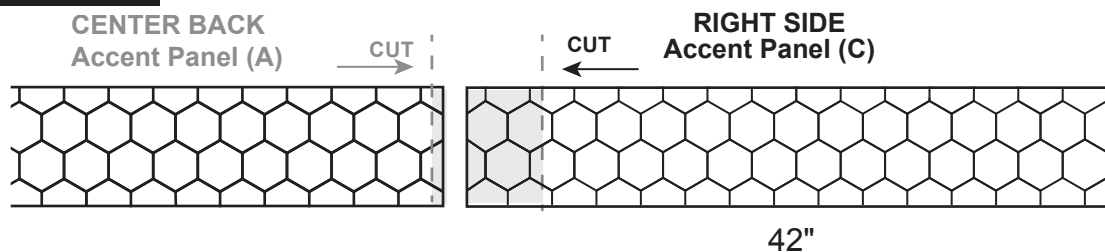


**INSTALLATION FOR MODEL#  
RFL603696-SMH (HEXAGON ACCENT)**

**STEP 17.2: INSTALL RIGHT SIDE ACCENT PANEL (C) HEXAGON**

**NOTE:** Your kit includes: (1) 60" Hexagon Back Accent Panel and (2) 42" Hexagon Side Panels - Additional panel length to allow for trim adjustments. Hexagon Accent Panel (A), Panel (B), and Panel (C) install in a continuous horizontal pattern.

**17.2 EXAMPLE**



17.2a. Locate **Panel (C)** Right Side Accent Panel and lay it down on a flat surface.

17.2b. Based on your measurements from Step 1 (How to Measure), trim any necessary adjustments from the **Left/Inside** edge of **Panel (C)**. The amount trimmed will mirror the Hexagon pattern on Center Back Panel (A). **(Do not cut off the interlocking feature, adjust width only).**

17.2c. Repeat Steps 4c. - 4e.

**STEP 18: INSTALL RIGHT SIDE WALL PANEL #12**

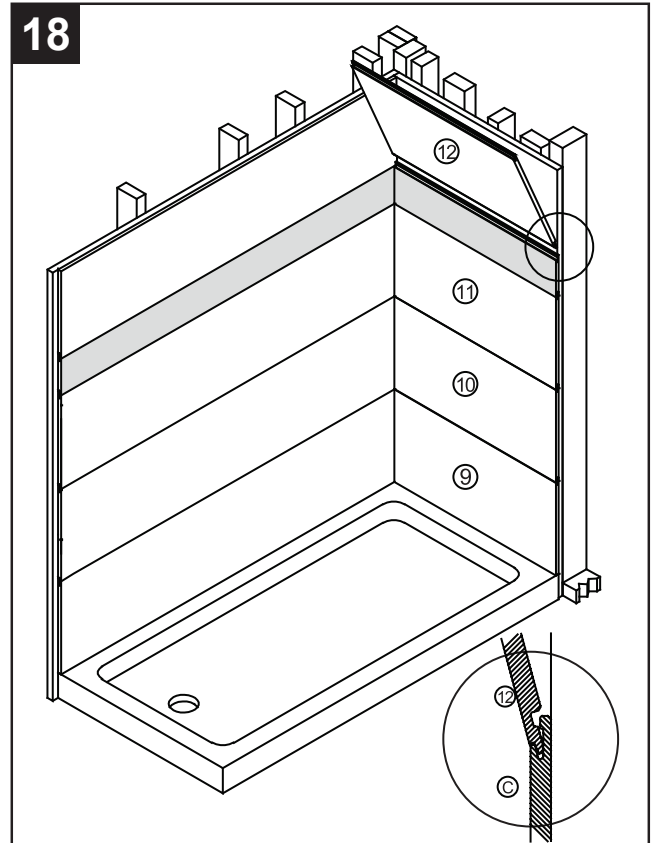
18a. Locate **Panel (12)** Side Wall Panel and lay it down on a flat surface.

18b. Based on your measurements from Step 1 (How to Measure), make any required plumbing cut-outs according to the instructions in Step 2 (How to Cut).

**Note:** If you are not using the full width of the right side panels, cut the *left/inside* end of the panels.

If your installation is less than the full 96" height, you can cut down the top of Panel (4) as needed.

18c. Repeat Steps 4c. - 4e.



**STEP 19: CAULK CORNERS AND EDGES**

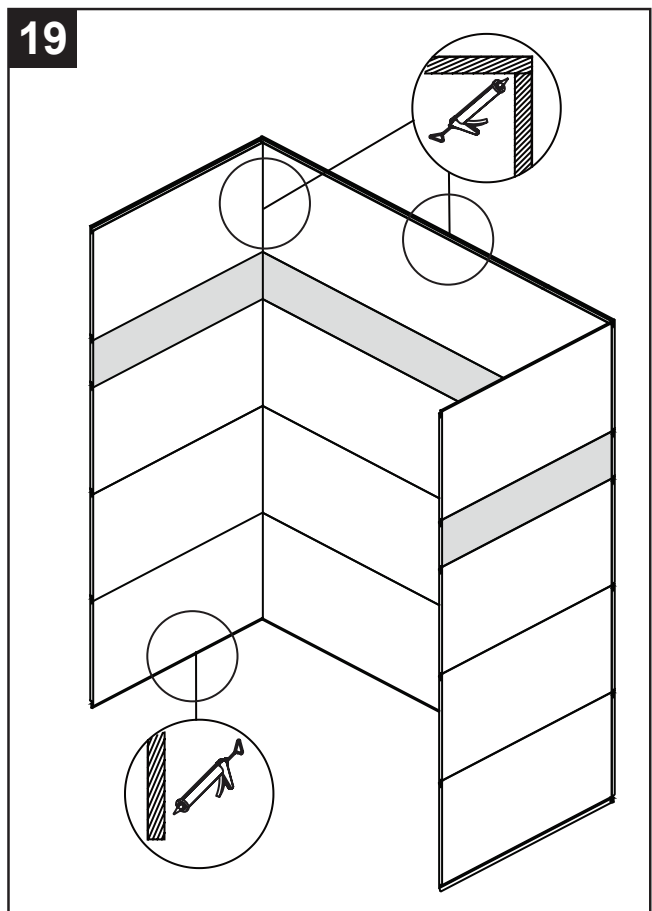
19a. Properly caulk around the Shower Wall System to insure a secure fit and finish.

This includes but is not limited to:

- Interior corners where shower walls meet
- Corners where the walls meet the base
- Outer edge of Side Wall Panels
- (Optional) Caulking along the top edge of the entire enclosure is not required but may help contribute to a finished look.

**! WARNING**

Please keep the entire area dry for a minimum of 24 hours to allow the caulk and construction adhesive to properly cure.



## CARE AND MAINTENANCE

---

- Cleaning and maintenance of the shower wall panels should be performed on a regular basis.
- The ideal cleaning time is right after shower use. Soap scum, lime and other heavy soil could contain invasive materials. The lack of cleaning and maintenance could result in damaging the surface of the wall panels and the core. Lack of cleaning shower walls could create discoloration of the wall panel.
- Shower walls should be cleaned regularly with a nonabrasive all purpose household cleaner or window cleaner. Always test your cleaning solution on an inconspicuous area before applying to the entire surface.
- Avoid using abrasive cleaners, scouring powders, grit, acid, acetone, alkaline and ammonia.
- To extend the life span of the wall panels, daily cleaning with wet wipes and proper diluted neutral detergent (PH 7-8) is recommended. Always clean with wet cloth as dry cleaning could scratch the surface.
- Avoid high concentrations of solvents, strong alkaline and strong acidic solution during the cleaning process.
- A thin layer of wax could be applied to the surface of wall panel after cleaning process.
- Improper use of tools and sharp objects will create permanent scratch damage on the surface.

## LIMITED WARRANTY

FGI Industries, Ltd., warrants to the original purchaser that this JETCOAT® Shower Wall System kit will be free of manufacturing defects, which affect its performance as a bathing or showering fixture, under the following conditions and subject to the limitations contained in the “Remedies” and “Warranty Limitations” sections.

### Please go here to register:

USA: [www.craftandmain.com](http://www.craftandmain.com)

CANADA: [www.craftandmain.ca](http://www.craftandmain.ca)

The Limited Warranty applies for 10 years from the date of purchase if the fixture is used in a residential owner-occupied building for non-commercial purposes; or for 2 years from the date of purchase if it is used in any other building, including any building used for rental, commercial, or business purposes.

- This Limited Warranty is void if the fixture is not installed in accordance with the installation instructions supplied by JETCOAT®, or local building codes and ordinances, or if the care and cleaning instructions supplied by JETCOAT® are not followed.
- This Limited Warranty is also void if the fixture is moved from the location of its initial installation, or is subjected to accident, abuse, or misuse.
- The Limited Warranty excludes normal wear and tear, and does not cover damage that can be repaired by following the Scratch Removal Instructions.
- This Limited Warranty shall be void unless any failure or non-conformance is discovered before the expiration of this warranty, and is reported to FGI Industries, Ltd. in writing, accompanied by the original proof purchase, within 30 days of discovery.

### REMEDIES:

The original purchaser’s remedy under this Limited Warranty is limited to the repair, replacement, or refund of the purchase price of the fixture, at FGI Industries, Ltd. sole option, of any part of the fixture which has failed or does not conform to the manufacturer’s specifications.

In no event shall FGI Industries, Ltd. be liable for lost profits, loss of use, incidental, special or consequential damages including, but not limited to, damage to or loss of use of the building or its contents, arising out of any defect in the fixture; nor shall FGI Industries, Ltd. be liable for any amount in excess of the original purchase price of the fixture.

FGI Industries, Ltd. reserves the right to require the return, at purchaser’s expense, of the damaged fixture for repair or exchange before providing services under this Limited Warranty. If FGI Industries, Ltd. elects to replace the fixture, its obligation is limited to supplying a replacement unit or component part of comparable size and style, and does not include the cost of removal, installation, or transportation, which must be borne by the purchaser.

Replacement parts provided under this Limited Warranty are warranted for the remainder of the original warranty period applicable to the fixture, as if such parts were original components of that fixture.

### WARRANTY LIMITATIONS:

**THERE ARE NO WARRANTIES WHICH EXTEND BEYOND THE DESCRIPTION ON THE FACE HEREOF. IMPLIED WARRANTIES, INCLUDING THOSE OF MERCHANTABILITY OR FITNESS FOR A PARTICULAR PURPOSE, ARE EXPRESSLY DISCLAIMED. FGI INDUSTRIES, LTD. DISCLAIMS ANY AND ALL LIABILITY FOR SPECIAL, INCIDENTAL OR CONSEQUENTIAL DAMAGES. Some states or provinces do not allow limitations of incidental or consequential damages, so the above limitations and exclusions may not apply to you. In such states or provinces, FGI Industries, Ltd. liability shall be limited to the extent permitted by state or provincial law. ANY IMPLIED WARRANTIES ARISING BY WAY OF STATE OR PROVINCIAL LAW, INCLUDING ANY IMPLIED WARRANTY OF MERCHANTABILITY OR ANY IMPLIED WARRANTY OF FITNESS FOR A PARTICULAR PURPOSE, ARE LIMITED IN DURATION AND IN SCOPE OF COVERAGE TO THE TERMS OF THIS LIMITED WARRANTY, UNLESS A SHORTER PERIOD IS ALLOWED BY LAW.**

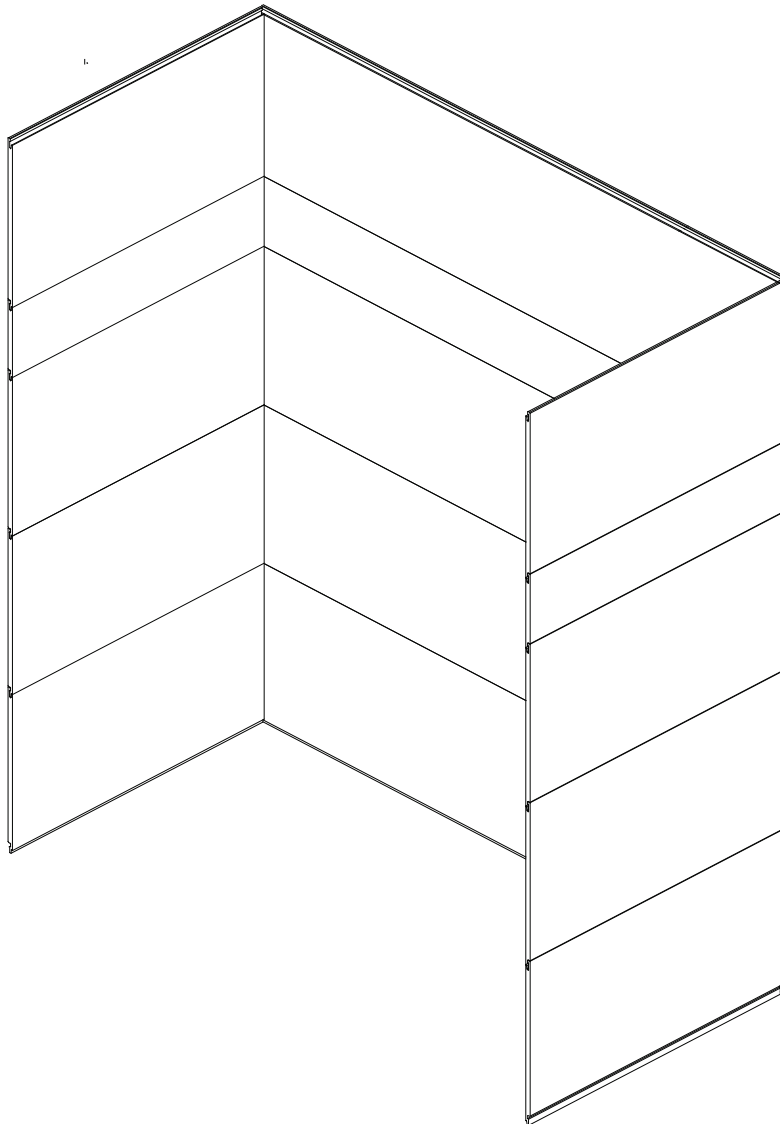
**JETCOAT**<sup>®</sup>  
SHOWER WALL SYSTEM

**FLEX™**  
**MODÈLE N° :**  
**RFL603696-SSS**  
**RFL603696-SMH**  
**RFL603696-CSS**

**LISEZ LES INSTRUCTIONS ATTENTIVEMENT**

Familiarisez-vous avec toutes les pièces illustrées dans la vue éclatée. La vue éclatée servira également de référence utile pour l'emplacement des différentes pièces et la façon dont elles sont installées.

COPIEZ LE NUMÉRO DE MODÈLE POUR VOS DOSSIERS ICI



**Ligne d'Assistance À La Clientèle Sans Frais**  
Du Lundi Au Vendredi Entre 7h30 et 17h00, HNC

**1 888 620-3667** Pour Les Clients Des États-Unis  
**1 888 256-7551** Pour Les Clients Du Canada

906 Murray Rd., East Hanover, NJ 07936  
USA: [www.craftandmain.com](http://www.craftandmain.com)

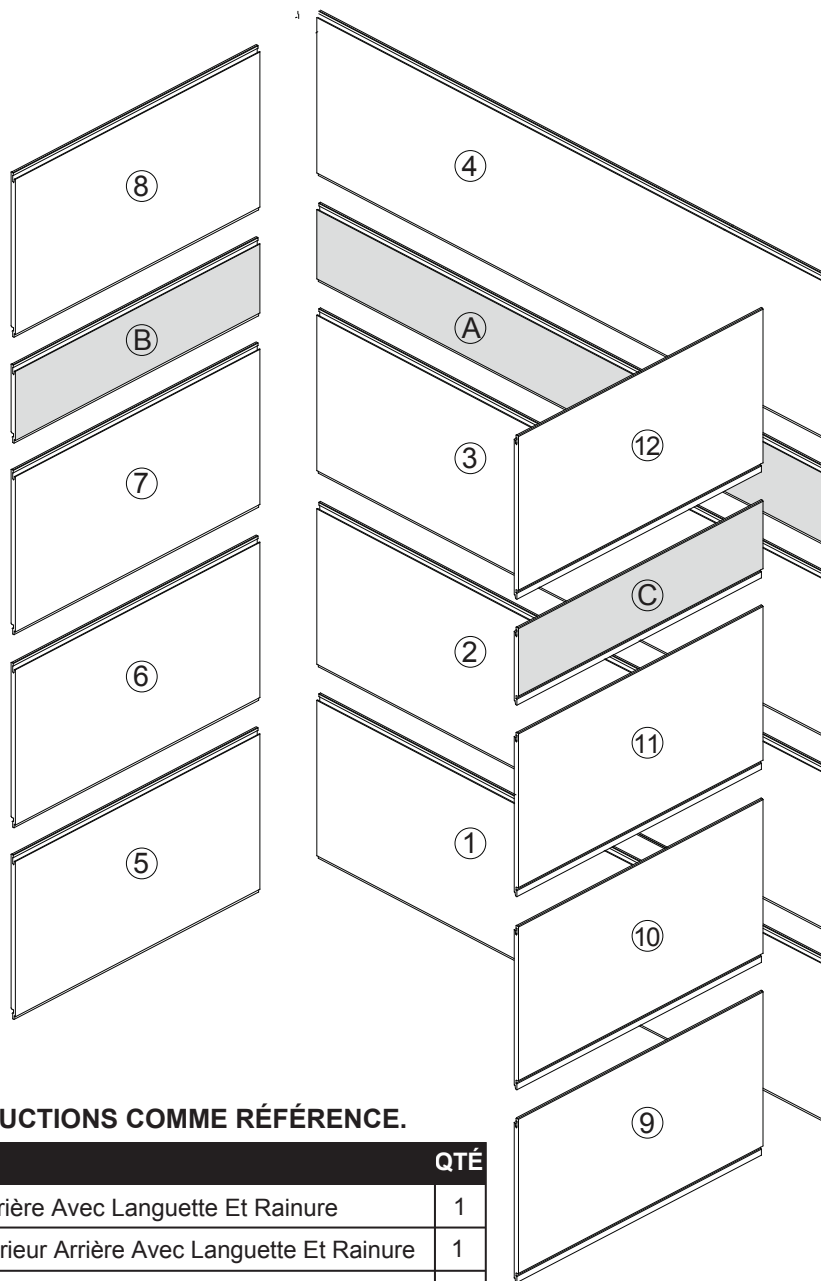
5970 Chedworth Way, Unit B, Mississauga, Ontario, Canada L5R 4G5  
CANADA: [www.craftandmain.ca](http://www.craftandmain.ca)

## TABLE DES MATIÈRES

---

|   |      |
|---|------|
| Contenu Du Colis .....                            | 3    |
| Information De Sécurité.....                      | 4    |
| Préparation .....                                 | 4-5  |
| Instructions D'assemblage Ou D'installation ..... | 6-18 |
| Entretien Et Maintenance .....                    | 19   |
| Garantie.....                                     | 20   |

## CONTENU DE L'EMBALLAGE



CONSERVEZ CES INSTRUCTIONS COMME RÉFÉRENCE.

| PIÈCE | DESCRIPTION   | QTÉ |
|-------|---|-----|
| 1     | Panneau Inférieur Arrière Avec Languette Et Rainure         | 1   |
| 2     | Panneau Central Inférieur Arrière Avec Languette Et Rainure | 1   |
| 3     | Panneau Central Inférieur Arrière Avec Languette Et Rainure | 1   |
| A     | Panneau D'appoint Arrière Avec Languette Et Rainure         | 1   |
| 4     | Panneau Supérieur Arrière Avec Languette Et Rainure         | 1   |
| 5     | Panneau Inférieur Latéral Gauche Avec Languette Et Rainure  | 1   |
| 6     | Panneau Central Latéral Gauche Avec Languette Et Rainure    | 1   |
| 7     | Panneau Central Latéral Gauche Avec Languette Et Rainure    | 1   |
| B     | Panneau D'appoint Latéral Gauche Avec Languette Et Rainure  | 1   |
| 8     | Panneau Supérieur Latéral Gauche Avec Languette Et Rainure  | 1   |
| 9     | Panneau Inférieur Latéral Droit Avec Languette Et Rainure   | 1   |
| 10    | Panneau Central Latéral Droit Avec Languette Et Rainure     | 1   |
| 11    | Panneau Central Latéral Droit Avec Languette Et Rainure     | 1   |
| C     | Panneau D'appoint Latéral Droit Avec Languette Et Rainure   | 1   |
| 12    | Panneau Supérieur Latéral Droit Avec Languette Et Rainure   | 1   |



**ATTENTION:** Ne posez pas sur les coins lorsque vous manipulez les pièces murales.

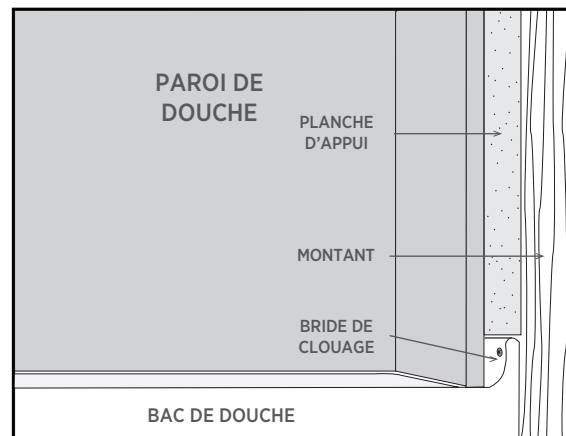
## **⚠ CONSIGNES DE SÉCURITÉ**

N'essayez pas d'assembler, d'installer ou d'utiliser le produit avant d'avoir lu entièrement ce guide et de l'avoir compris.

**⚠ ATTENTION:** Ne posez pas sur les coins lorsque vous manipulez.

### **REMARQUE: INSTALLATION DU BAC DE DOUCHE**

Lors d'une utilisation de concert avec un bac de douche doté d'une bride de clouage, la cabine de douche JETCOAT® est conçue pour être installée comme indiqué dans l'illustration. La bride de clouage du bac doit être fixée directement sur les montants nus, avec une planche d'appui fixée aux montants au-dessus de la bride de clouage. Les parois JETCOAT® sont installées sur la planche d'appui, s'étendant sur l'avant de la bride de clouage et en reposant sur le bac. Ne pas installer le bac de cette façon peut causer des problèmes lors l'installation des parois JETCOAT®.



## **PRÉPARATION**

Avant de procéder à l'installation du produit, assurez-vous qu'il ne manque aucune pièce. Vérifiez que toutes les pièces de la liste du contenu de l'emballage sont bien présentes. Si l'une des pièces est manquante ou endommagée, ne tentez pas d'assembler ou d'installer le produit.

**Outils Requis Pour L'assemblage (non fournis):** Couteau à lame rétractable, pince-étau, maillet en caoutchouc, scie circulaire, scie-cloche, ruban à mesurer.

**Fournitures Requises Pour L'assemblage (fournies) :** Ruban double face de qualité construction.

**Fournitures Requises Pour L'assemblage (non fournies) :** Adhésif de qualité construction, silicone.

- Commencez par mesurer la largeur totale du mur arrière, une fois qu'il est nettoyé et préparé pour l'installation.
- Si la hauteur totale des murs arrière et/ou latéraux est inférieure à la hauteur des panneaux, recoupez les panneaux (4), (8) et (12) à la dimension appropriée.
- Coupez l'alimentation en eau.
- Retirez toute la quincaillerie et les décorations de la douche, y compris mais non limitées aux : Manettes de robinet, rosaces, becs de remplissage, porte-serviettes et porte-savon.
- Tous les travaux de plomberie et électriques réalisés à l'intérieur des murs doivent être terminés avant l'installation des panneaux muraux.
- Les murs doivent être solides, aplombés et d'équerre à 3,17 mm près. La cabine de douche a été conçue pour pouvoir être recoupée, pour résoudre les petits problèmes d'alignement.
- La surface de montage doit être nettoyée et préparée conformément à la procédure d'installation.

### **CONSEILS PRATIQUES POUR L'APPLICATION DU CALFEUTRE:**

- Suivez les instructions sur le tube de calfeutre choisi.
- Une fois que vous avez terminé le projet, examinez toutes les surfaces sur lesquelles vous avez appliqué du calfeutre pour vérifier qu'il n'y a aucun vide, en le remplissant le cas échéant.
- Retirez tout excès de calfeutre à l'aide d'un alcool dénaturé et d'un linge propre. Faites attention et ne portez atteinte à aucun des joints matés.



## PRÉPARATION

---

### PROCÉDURE D'INSTALLATION:

La cabine de douche peut être installée par-dessus divers produits. Veuillez consulter un entrepreneur professionnel, si vous avez l'intention de poser les panneaux sur une surface autre que celles décrites ici.

### CIMENT/BÉTON:

- Selon l'état (planéité) du mur existant, une quantité de silicone supplémentaire peut s'avérer nécessaire pour fixer solidement les panneaux muraux au substrat.
- La surface doit être tout à fait propre. C'est-à-dire, sans y être limité, exempte de: Résidus de savon, poussière et tout autre contaminant qui peuvent nuire à l'adhérence. Les carreaux de céramique n'ont pas besoin d'être retirés s'ils sont bien collés.
- Terminez l'installation des panneaux muraux en suivant le guide d'instructions, une fois que le scellant est complètement sec.

### MASONITE:

- La surface doit être tout à fait propre. C'est-à-dire, sans y être limité, exempte de: Résidus de savon, poussière et tout autre contaminant qui peuvent nuire à l'adhérence.
- Facultatif: La surface complète doit être scellée de deux couches de scellant à base d'eau ou d'huile, pour assurer une bonne adhérence de la cabine de douche.
- Terminez l'installation des panneaux muraux en suivant le guide d'instructions, une fois que le scellant est complètement sec.

### ANCIEN CARREAU:

**IMPORTANT:** Tous les carreaux en plastique doivent être retirés. Les anciens carreaux de céramique n'ont pas besoin d'être retirés s'ils sont bien collés.

- Selon l'état (planéité) du mur existant, une quantité de silicone supplémentaire peut s'avérer nécessaire pour fixer solidement les panneaux muraux au substrat.
- Retirez ou recollez correctement tous les carreaux de céramique lâches.
- Retirez tous les accessoires de carreaux fixés au mur. La surface doit être tout à fait propre. C'est-à-dire, sans y être limité, exempte de résidus de savon, de poussière et de tout autre contaminant pouvant nuire à l'adhérence.
- Terminez l'installation de la cabine de douche en suivant le guide d'instructions.

### PLÂTR:

- Une quantité de silicone supplémentaire peut s'avérer nécessaire pour fixer solidement le substrat et le panneau mural, selon l'état du mur existant.
- Lissez tous les finis texturés ou à spirales en les ponçant.
- La surface doit être tout à fait propre. C'est-à-dire, sans y être limité, exempte de résidus de savon, de poussière et de tout autre contaminant pouvant nuire à l'adhérence.
- Recommandation: La surface complète doit être scellée de deux couches de scellant à base d'eau ou d'huile, pour assurer une bonne adhérence de la cabine de douche.
- Terminez l'installation des panneaux muraux en suivant le guide d'instructions, une fois que le scellant est complètement sec.

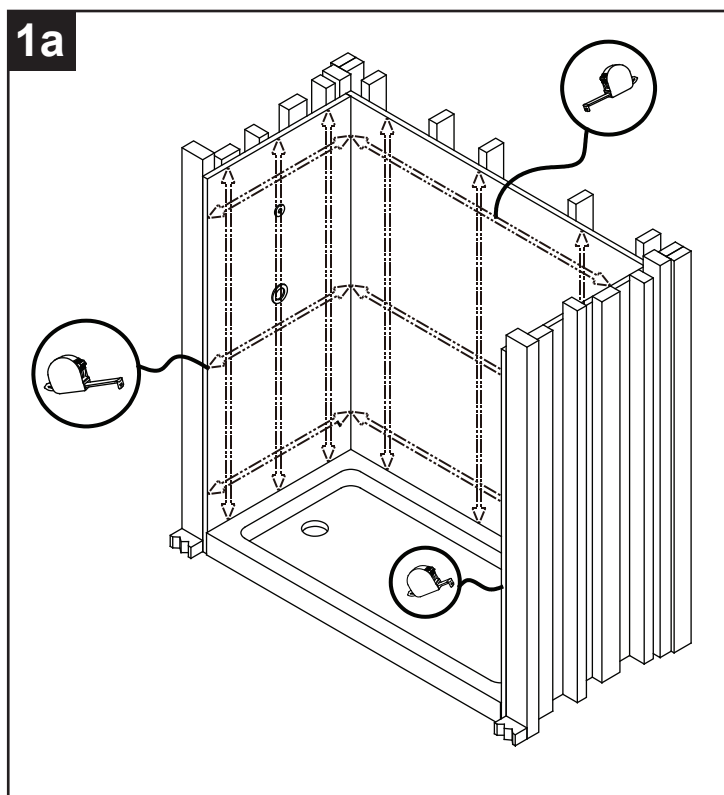
### PLAQUE DE PLÂTRE/PANNEAU VERT/PANNEAU DE CIMENT/BOIS:

- La surface doit être tout à fait propre et sans résidus de savon, de poussière et de tout autre contaminant pouvant nuire à l'adhérence.
- Facultatif: La surface complète doit être scellée de deux couches de scellant à base d'eau ou d'huile, pour assurer une bonne adhérence de la cabine de douche.
- Terminez l'installation des panneaux muraux en suivant le guide d'instructions, une fois que le scellant est complètement sec.

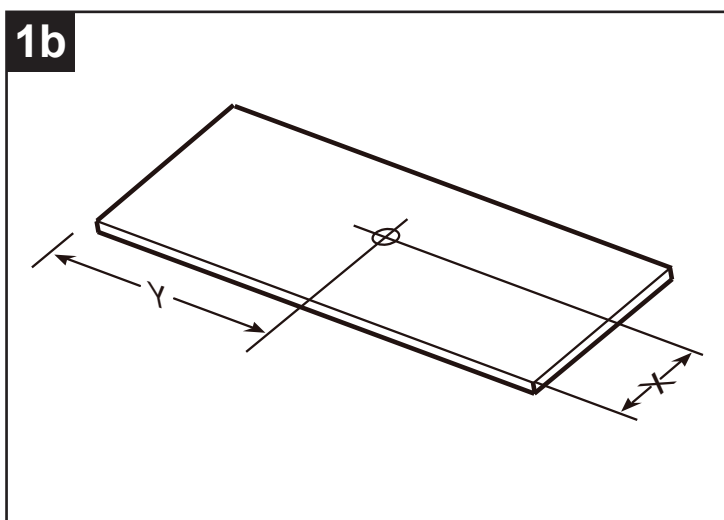
### ÉTAPE 1: PRISE DE MESURES

1a. Mesurez la hauteur de la surface d'installation aux deux extrémités de chaque mur. À partir du haut du bac de douche et jusqu'au plafond. Si la hauteur du plafond est inférieure à celle des panneaux compris dans votre ensemble prêt-à-monter, les panneaux peuvent être raccourcis à l'aide de la procédure de coupe décrite à l'étape 2.

Mesurez la largeur de chaque mur en haut et en bas de la surface d'installation.



1b. Mesurez les emplacements de découpe pour les éléments de plomberie et marquez-les au dos du/des panneau(x) approprié(s).



### ÉTAPE 2: DÉCOUPES

**Remarque:** Les flèches figurant sur l'étiquette au dos de chaque panneau indiquent le HAUT du panneau. Les étapes 2 et 3 seront répétées lors de l'installation de chacun des 15 panneaux muraux.

Il faut suivre les instructions de coupe suivantes pour toutes les coupes.

- 2a. Tracez une ligne avec soin au dos de chaque panneau, là où la coupe sera effectuée. Tout ajustement pour un mur qui n'est pas d'équerre ou mal aplombé doit être envisagé quand vous tracez cette ligne.

**Remarque:** L'utilisation d'une règle droite est fortement recommandée, si possible.

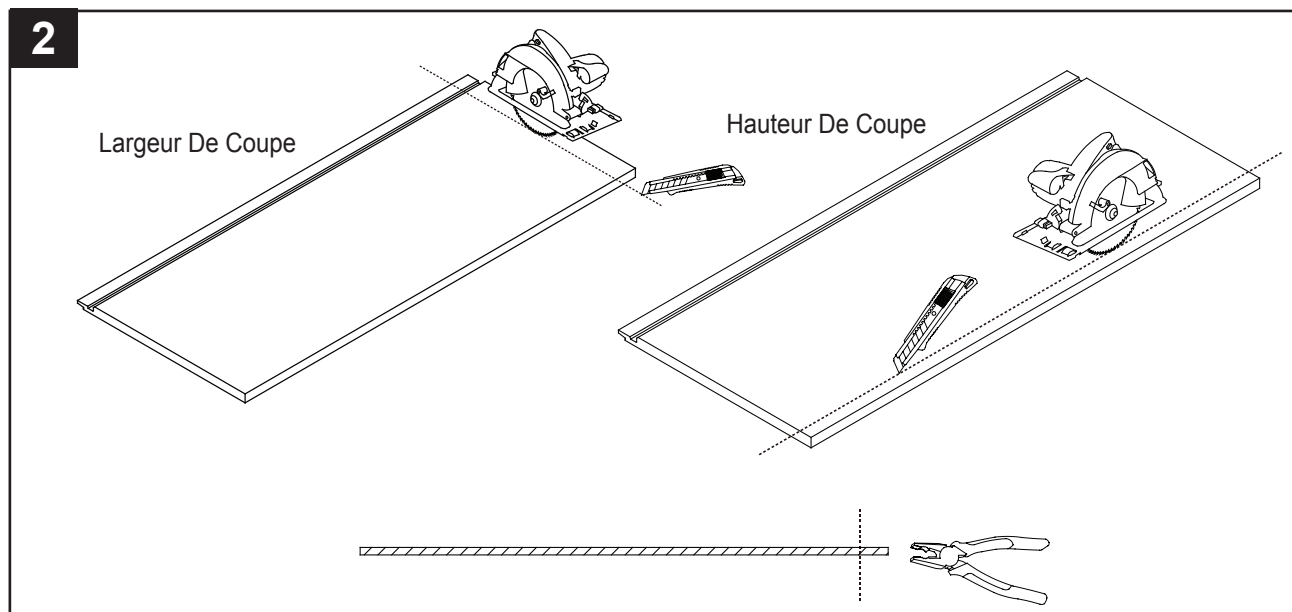
- 2b. Une scie circulaire est recommandée pour effectuer les coupes requises. Si vous utilisez un couteau à lame rétractable, tracez la ligne plusieurs fois, puis servez-vous d'une pince-étau pour casser le morceau qui dépasse comme illustré.

**Remarque:** Si la hauteur totale de votre installation est inférieure à 2,44 m (96 po), vous pouvez recouper le haut des panneaux supérieurs. Voir l'installation des panneaux (4), (8) et (12).



### AVERTISSEMENT

EN AUCUN CAS LES BORDS À LANGUETTE OU À RAINURE NE DOIVENT ÊTRE COUPÉS; CELA POURRAIT COMPROMETTRE L'ÉTANCHÉITÉ DE L'INSTALLATION FINALE.



Découpes Pour Éléments De Plomberie:

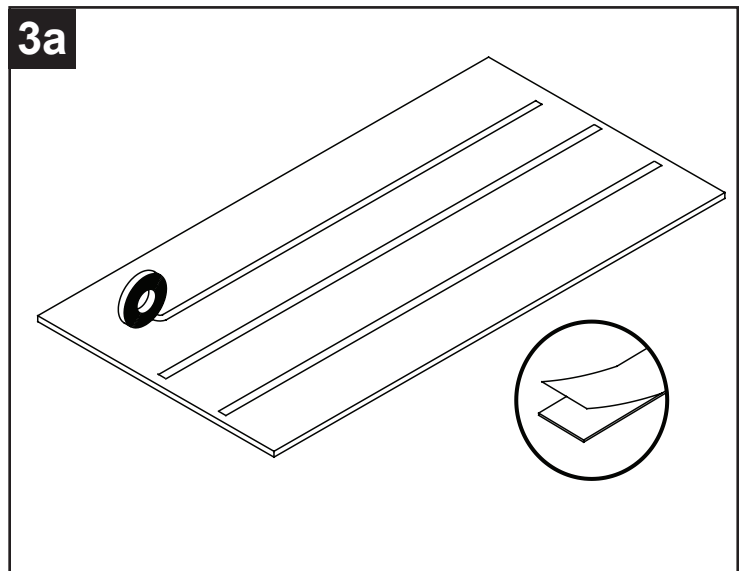
Utilisez une perceuse et la scie-cloche de taille appropriée pour réaliser des découpes pour la pomme de douche, le bec de remplissage, les manettes du robinet et/ou toutes autres découpes nécessaires pour la plomberie déjà présente dans les murs.

**Remarque:** Pour vous assurer que vos prises de mesure sont correctes, créez un gabarit en carton pour essayer les découpes pour les éléments de plomberie avant de couper les panneaux de la cabine de douche. Le mandrin de perçage peut endommager la surface du panneau de la cabine de douche. Percez les trous à partir du dos du panneau.

## INSTRUCTIONS D'INSTALLATION/ÉTAPE 3 – APPLICATION DES ADHÉSIFS

### ÉTAPE 3: APPLICATION DE L'ADHÉSIF ET DU RUBAN ADHÉSIF AU DOS DES PANNEAUX MURAUX

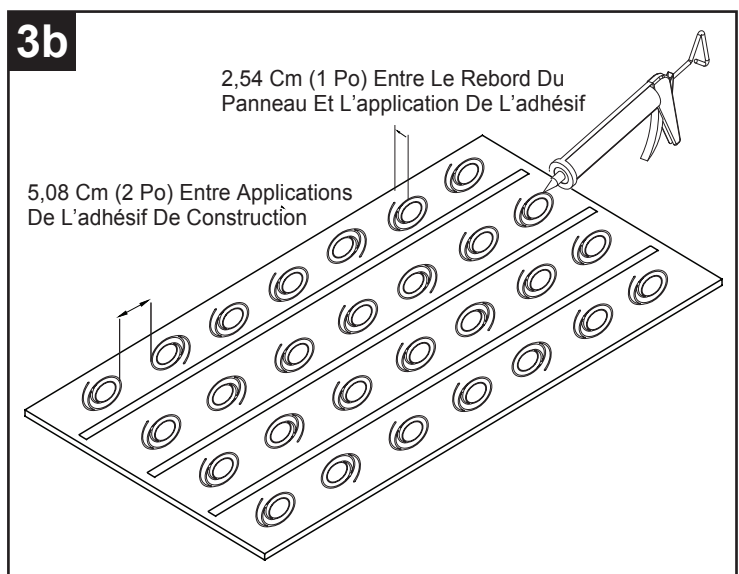
3a. Appliquez le ruban double face de qualité construction au dos du panneau mural comme illustré.



3b. Appliquez l'adhésif de qualité construction sur les intervalles entre le ruban adhésif comme illustré selon un tracé circulaire.

Les perles d'adhésif doivent être espacées de 5,08 cm (2 po) et éloignées d'au moins 2,54 cm (1 po) du rebord du panneau.

**Remarque:** Le tracé circulaire est essentiel pour une adhérence adéquate.



### ÉTAPE 4: INSTALLATION DU PANNEAU MURAL INFÉRIEUR ARRIÈRE (1)

**Remarque:** Vous devez installer les panneaux muraux arrière dans l'ordre et les orienter correctement pour assurer que le produit fini est étanche.

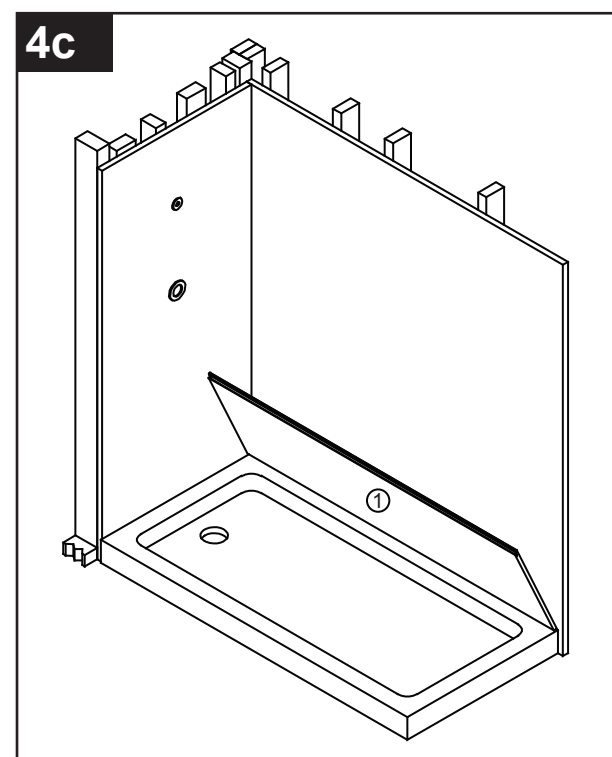
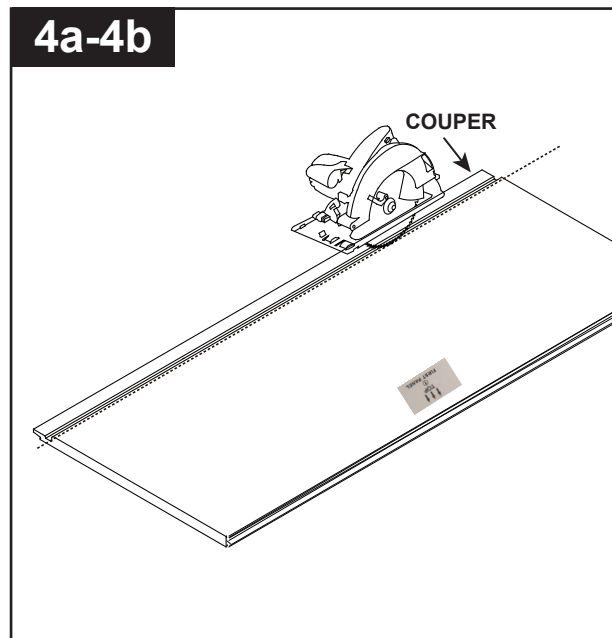
Au dos de chaque panneau se trouve une étiquette indiquant le numéro du panneau et une flèche indiquant le rebord SUPÉRIEUR du panneau. Les panneaux 1, 2, 3, A et 4 constituent la paroi arrière de la cabine de douche.

- 4a. Repérez le panneau mural arrière (1) et placez-le sur une surface plane.

#### RECOMMANDATION:

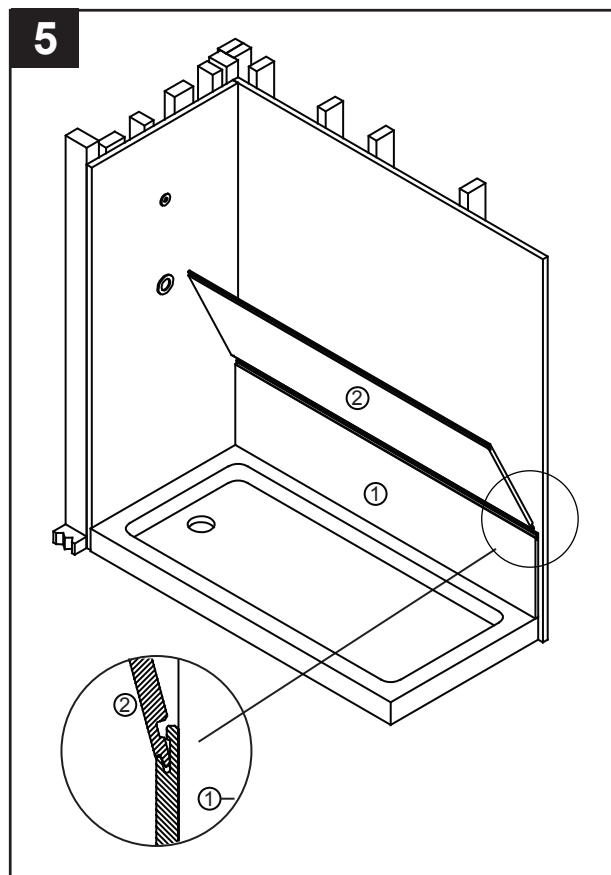
Coupez et retirez le bord à languette. Repérez l'étiquette au dos du panneau indiquant le bord SUPÉRIEUR. Au dos du panneau (1), tracez soigneusement une ligne le long du bord à languette sur le BAS du panneau. Tout ajustement pour un mur qui n'est pas d'équerre ou mal aplombé doit être envisagé quand vous tracez cette ligne.

- 4b. En fonction de vos prises de mesure à l'étape 1 (Prise de mesures), recoupez le panneau aux dimensions appropriées. Recoupez la largeur de manière qu'elle soit égale depuis chaque extrémité du panneau.
- 4c. Appliquez le ruban et l'adhésif de qualité construction, comme expliqué dans l'étape 3.
- 4d. Décollez le ruban double-face du dos du panneau. Placez le panneau à un angle d'environ 30 degrés, poussez le bord inférieur dans l'angle où le mur rencontre le panneau de douche, puis poussez soigneusement le panneau vers le mur arrière.
- 4e. Poussez le panneau fermement contre le mur en lissant le long de toute la surface pour éliminer les bulles d'air, puis tapotez légèrement le panneau mural avec un maillet en caoutchouc de haut en bas et d'une extrémité à l'autre pour vous assurer qu'il est bien serré contre le mur.



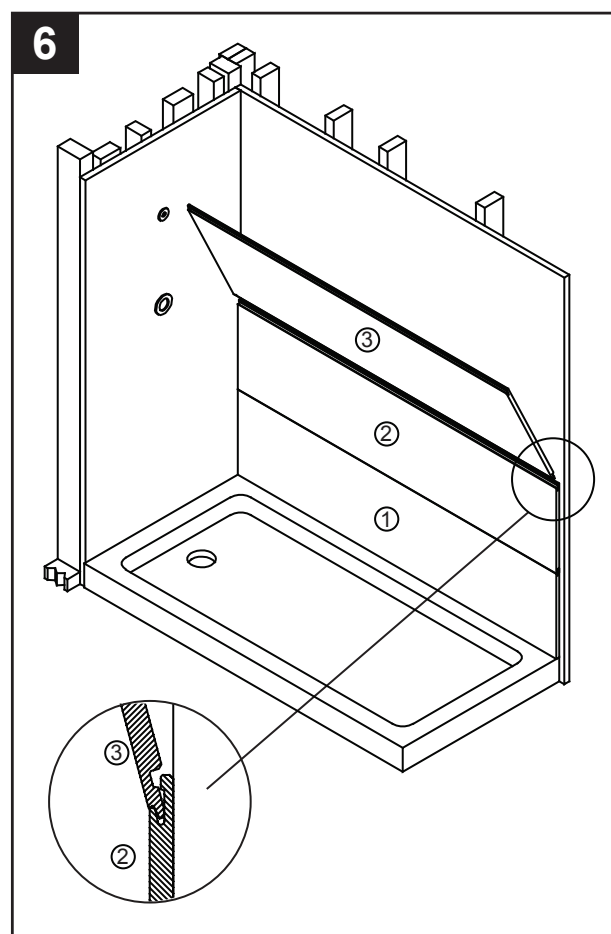
## ÉTAPE 5: INSTALLATION DU PANNEAU MURAL ARRIÈRE (2)

- 5a. Repérez le panneau mural arrière (2) et placez-le sur une surface plane.
- 5b. En fonction de vos prises de mesure à l'étape 1 (Prise de mesures), recoupez la largeur de manière qu'elle soit égale depuis chaque extrémité du panneau. **(Ne recoupez pas l'élément qui s'emboîte, ajustez seulement la largeur.)**
- 5c. Répétez les étapes 4c à 4e.



## ÉTAPE 6: INSTALLATION DU PANNEAU MURAL ARRIÈRE (3)

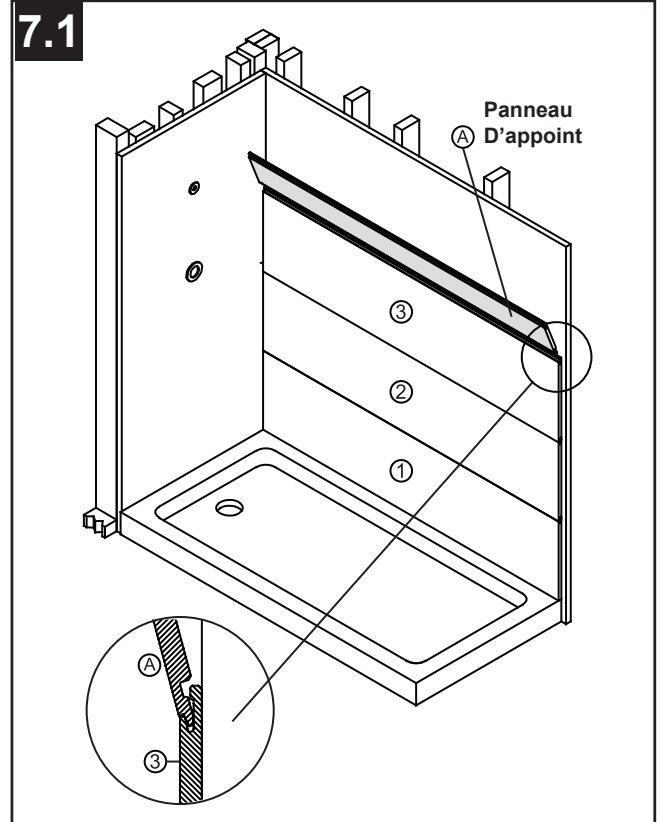
- 6a. Repérez le panneau mural arrière (3) et placez-le sur une surface plane.
- 6b. En fonction de vos prises de mesure à l'étape 1 (Prise de mesures), recoupez la largeur de manière qu'elle soit égale depuis chaque extrémité du panneau. **(Ne recoupez pas l'élément qui s'emboîte, ajustez seulement la largeur.)**
- 6c. Répétez les étapes 4c à 4e.



**INSTALLATION POUR MODÈLE N°  
RFL603696-SSS / RFL603696-CSS**

**ÉTAPE 7.1: INSTALLATION DU PANNEAU  
D'APPOINT ARRIÈRE (A)**

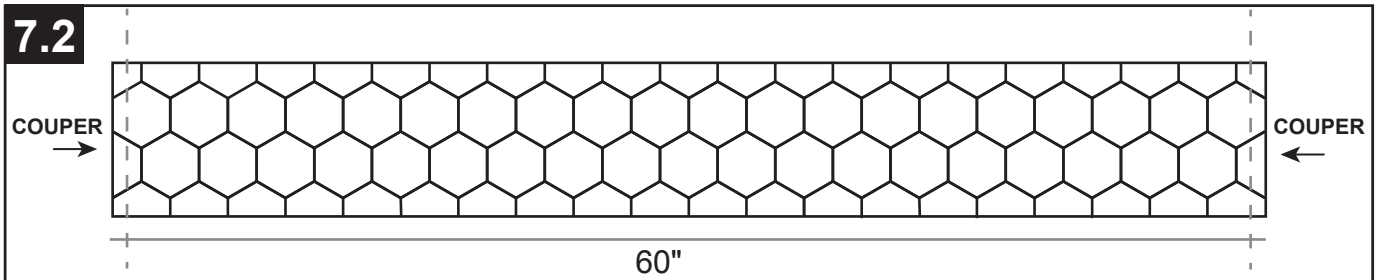
- 7.1a. Repérez le panneau d'appoint arrière (A) et couchez-le sur une surface plane.
- 7.1b. En fonction de vos prises de mesure à l'étape 1 (Prise de Mesures), **recoupez la largeur de manière qu'elle soit égale depuis chaque extrémité du panneau;** les coins arrière seront calfeutrés plus tard au cours de l'installation et tout défaut de coupe peut être caché lors de ce processus. **(Ne recoupez pas l'élément qui s'emboîte, ajustez seulement la largeur.)**
- 7.1c. Répétez les étapes 4c à 4e.



**INSTALLATION POUR MODÈLE N°  
RFL603696-SMH (APPOINT HEXAGONAL)**

**ÉTAPE 7.2: INSTALLATION D'UN PANNEAU D'APPOINT ARRIÈRE (A) HEXAGONAL**

**REMARQUE:** L'ensemble comprend : (1) panneau d'appoint arrière hexagonal de 1,52 m (60 po) et (2) panneaux latéraux hexagonaux de 1,06 m (42 po) – Avec un supplément de longueur du panneau pour permettre les recoupes d'ajustements. Les panneaux d'appoint hexagonaux (A), (B) et (C) s'installent selon un modèle horizontal continu.



- 7.2a. Repérez le panneau d'appoint arrière (A) et couchez-le sur une surface plane.
- 7.2b. En fonction de vos prises de mesure à l'étape 1 (Prise de mesures), **recoupez la largeur de manière qu'elle soit égale depuis chaque extrémité du panneau;** le coin arrière sera calfeutré plus tard au cours de l'installation et tout défaut de coupe peut être caché lors de ce processus. **(Ne recoupez pas l'élément qui s'emboîte, ajustez seulement la largeur.)**
- 7.2c. Répétez les étapes 4c à 4e.



## INSTRUCTIONS D'INSTALLATION/ÉTAPE 8/ÉTAPE 9

### ÉTAPE 8: INSTALLATION DU PANNEAU MURAL SUPÉRIEUR ARRIÈRE (4)

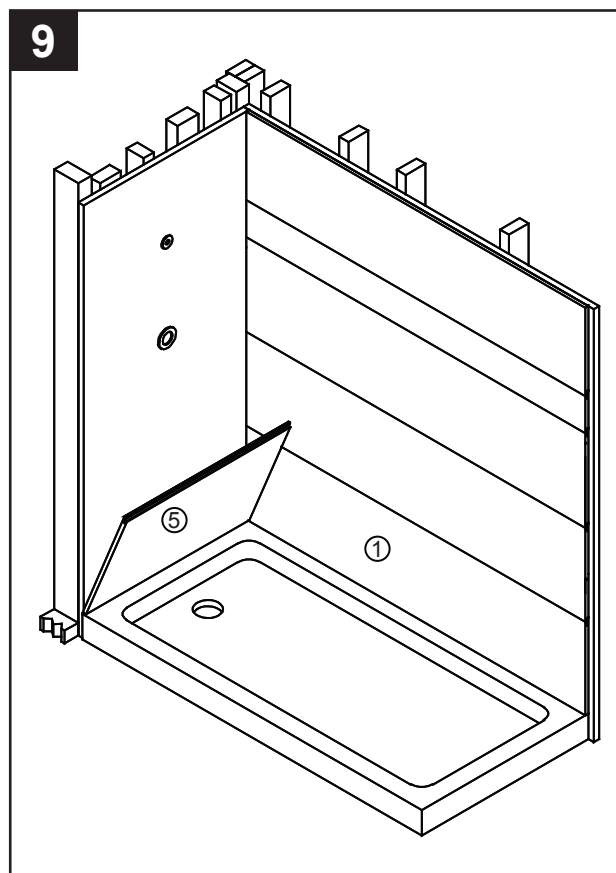
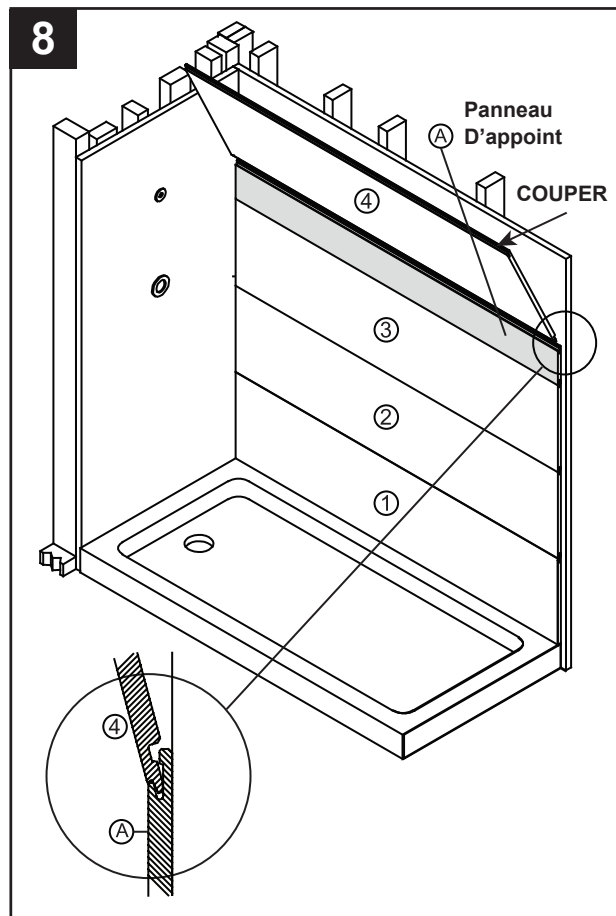
- 8a. Localisez le panneau mural supérieur arrière (4) et placez-le sur une surface plane.
- 8b. En fonction de vos prises de mesure à L'étape 1 (Prise de Mesures), **recoupez la largeur de manière qu'elle soit égale depuis chaque extrémité du panneau**; les coins arrière seront calfeutrés plus tard au cours de l'installation et tout défaut de coupe peut être caché lors de ce processus.  
**Remarque:** Si la hauteur totale de votre installation est inférieure à 2,44 m (96 po), recoupez à partir du haut du panneau (4) selon les besoins.
- 8c. Répétez les étapes 4c à 4e.

### Étape 9: Installez Le Panneau Mural Inférieur Latéral Gauche (5)

**Remarque:** Vous devez installer les panneaux latéraux dans l'ordre et les orienter correctement pour assurer que le produit fini est étanche.

Au dos de chaque panneau se trouve une étiquette indiquant le numéro du panneau et une flèche indiquant le rebord SUPÉRIEUR du panneau. Les panneaux 5, 6, 7, B et 8 constituent la paroi gauche de votre cabine de douche.

- 9a. Repérez le panneau mural latéral gauche (5) et placez-le sur une surface plane.  
**RECOMMANDATION:**  
Coupez et retirez le bord à languette. (Voir l'illustration de l'ÉTAPE 4a) Repérez l'étiquette au dos du panneau indiquant le bord SUPÉRIEUR. Au dos du panneau (1), tracez soigneusement une ligne le long du bord à languette sur le BAS du panneau. Tout ajustement pour un mur qui n'est pas d'équerre ou mal aplombé doit être envisagé.
- 9b. En fonction de vos prises de mesure à l'étape 1 (Prise de mesures), recoupez l'extrémité droite ou intérieure du panneau; le coin arrière sera calfeutré plus tard au cours de l'installation et tout défaut de coupe peut être caché lors de ce processus.  
**Le tracé horizontal du coulis du panneau (5) doit être aligné horizontalement avec le panneau (1). Placez des cales sous le panneau (5) au besoin.**
- 9c. Répétez les étapes 4c à 4e.



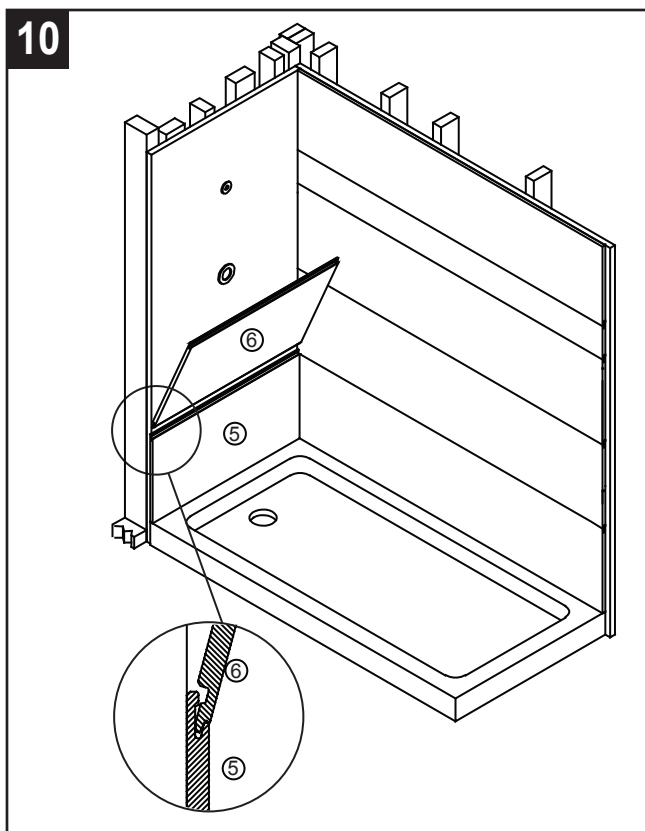


### ÉTAPE 10: INSTALLATION DU PANNEAU MURAL LATÉRAL GAUCHE (6)

- 10a. Repérez le panneau latéral gauche (6) et placez-le sur une surface plane.
- 10b. En fonction de vos prises de mesure à l'étape 1 (Prise de mesures), effectuez toutes les coupes de plomberie requises, conformément aux instructions de l'étape 2 (Découpes).

**Remarque:** Si vous n'utilisez pas la largeur complète des panneaux latéraux gauches, recoupez l'extrémité droite ou intérieure des panneaux; le coin arrière sera calfeutré plus tard au cours de l'installation et tout défaut de coupe peut être caché lors de ce processus.  
**(Ne recoupez pas l'élément qui s'emboîte, ajustez seulement la largeur.)**

- 10c. Répétez les étapes 4c à 4e.

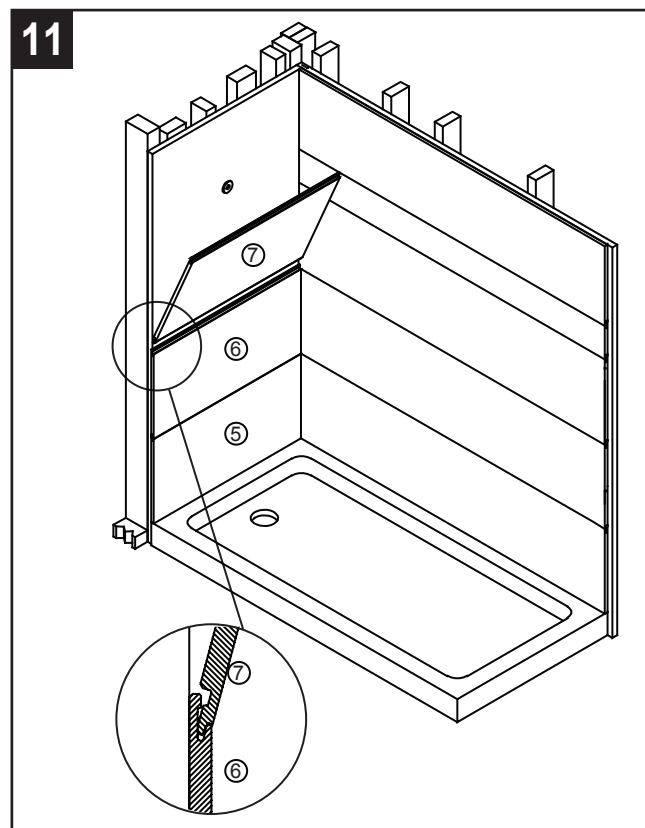


### ÉTAPE 11: INSTALLATION DU PANNEAU MURAL LATÉRAL GAUCHE (7)

- 11a. Repérez le **Panneau Latéral Gauche (7)** et placez-le sur une surface plane.
- 11b. En fonction de vos prises de mesure à l'étape 1 (Prise de mesures), effectuez toutes les coupes de plomberie requises, conformément aux instructions de l'étape 2 (Découpes).

**Remarque:** Si vous n'utilisez pas la largeur complète des panneaux latéraux gauches, recoupez l'extrémité droite ou intérieure des panneaux; le coin arrière sera calfeutré plus tard au cours de l'installation et tout défaut de coupe peut être caché lors de ce processus.  
**(Ne recoupez pas l'élément qui s'emboîte, ajustez seulement la largeur.)**

- 11c. Répétez les étapes 4c à 4e.



**INSTALLATION POUR MODÈLE N°  
RFL603696-SSS / RFL603696-CSS**

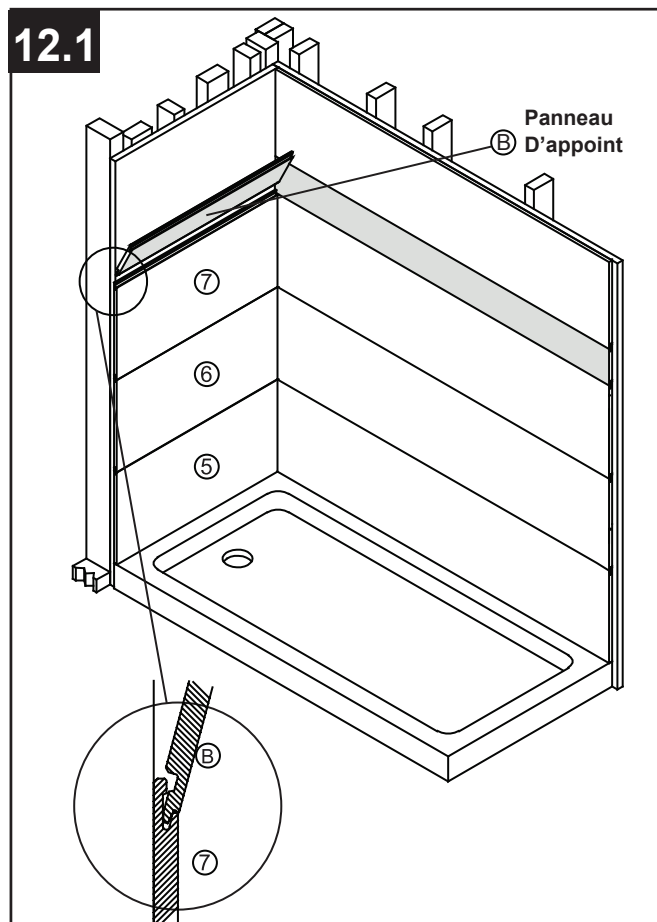
**ÉTAPE 12: INSTALLATION DU PANNEAU  
D'APPOINT LATÉRAL GAUCHE (B),  
CARRELAGE DE MÉTRO**

12.1a. Repérez le panneau d'appoint latéral gauche (B) et placez-le sur une surface plane.

12.1b. En fonction de vos prises de mesure à l'étape 1 (Prise de mesures), effectuez toutes les coupes de plomberie requises, conformément aux instructions de l'étape 2 (Découpes).

**Remarque:** Si vous n'utilisez pas la largeur complète des panneaux latéraux gauches, recoupez l'extrémité droite ou intérieure des panneaux; le coin arrière sera calfeutré plus tard au cours de l'installation et tout défaut de coupe peut être caché lors de ce processus. **(Ne recoupez pas l'élément qui s'emboîte, ajustez seulement la largeur.)**

12.1c. Répétez les étapes 4c à 4e.

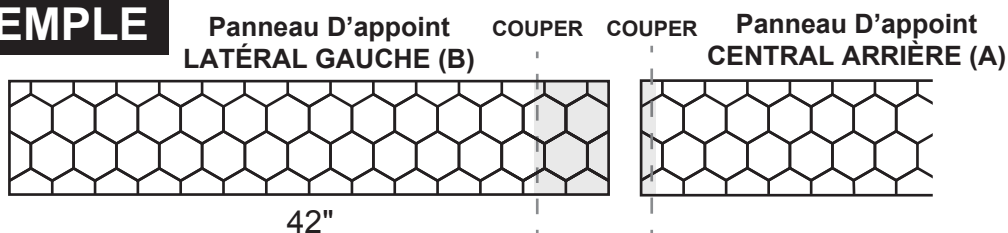


**INSTALLATION POUR MODÈLE N°  
RFL603696-SMH (APPOINT HEXAGONAL)**

**ÉTAPE 12.2: INSTALLATION DU PANNEAU D'APPOINT ARRIÈRE (A) HEXAGONAL**

**REMARQUE:** L'ensemble comprend : (1) panneau d'appoint arrière hexagonal de 1,52 m (60 po) et (2) panneaux latéraux hexagonaux de 1,06 m (42 po) – Avec un supplément de longueur du panneau pour permettre les recoupes d'ajustements. Les panneaux d'appoint hexagonaux (A), (B) et (C) s'installent selon un modèle horizontal continu.

**12.2 12.2 EXEMPLE**



12.2a. Repérez le panneau d'appoint latéral gauche (B) et placez-le sur une surface plane.

12.2b. En fonction de vos prises de mesure à L'étape 1 (Prise de Mesures), recoupez comme nécessaire depuis le bord **Droit/Intérieur** du **Panneau (B)**. La quantité recoupée correspondra exactement au motif hexagonal sur le panneau central arrière (A). **(Ne recoupez pas l'élément qui s'emboîte, ajustez seulement la largeur.)**

12.2c. Répétez les étapes 4c à 4e.

## INSTRUCTIONS D'INSTALLATION/ÉTAPE 13/ÉTAPE 14

### ÉTAPE 13: INSTALLATION DU PANNEAU MURAL LATÉRAL GAUCHE (8)

- 13a. Repérez le panneau latéral gauche (8) et placez-le sur une surface plane.
- 13b. En fonction de vos prises de mesure à l'étape 1 (Prise de mesures), effectuez toutes les découpes de plomberie requises, conformément aux instructions de l'étape 2 (Découpes).

**Remarque:** Si vous n'utilisez pas la largeur complète des panneaux latéraux gauches, recoupez l'extrémité droite ou intérieure des panneaux. Si la hauteur totale de votre installation est inférieure à 2,44 m (96 po), vous pouvez recouper le haut du panneau (4) au besoin.

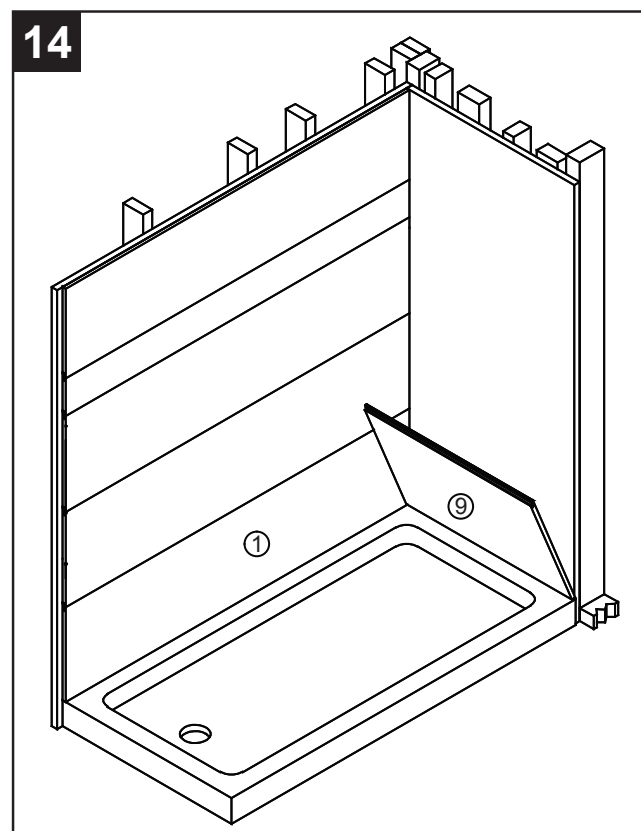
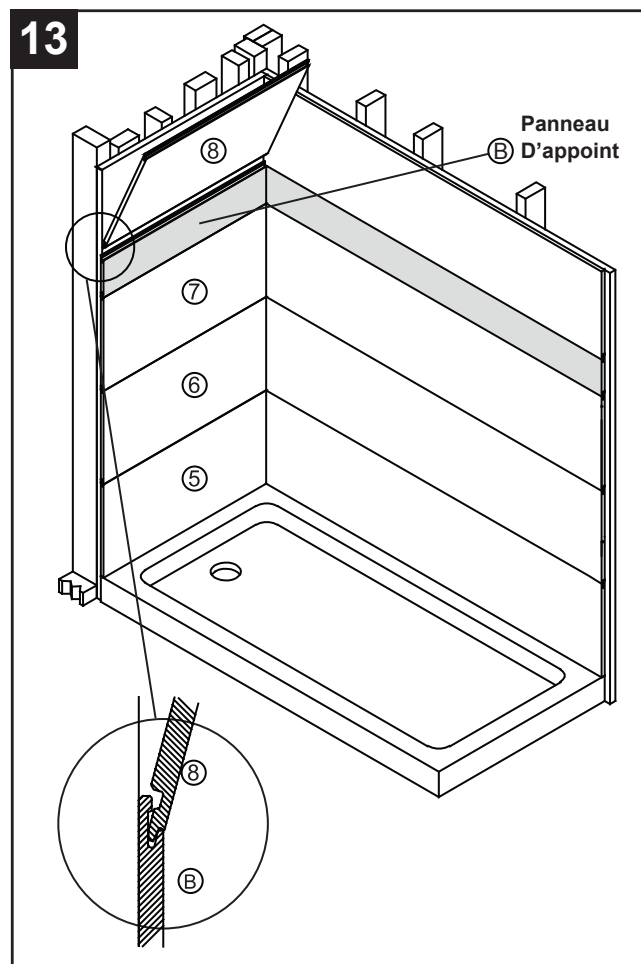
- 13c. Répétez les étapes 4c à 4e.

### ÉTAPE 14: INSTALLATION DU PANNEAU MURAL INFÉRIEUR LATÉRAL DROIT (9)

**Remarque:** Vous devez installer les panneaux muraux latéraux droits dans l'ordre et les orienter correctement pour assurer que le produit fini est étanche.

Au dos de chaque panneau se trouve une étiquette indiquant le numéro du panneau et une flèche indiquant le rebord SUPÉRIEUR du panneau. Les panneaux 9, 10, 11, C et 12 constituent la paroi murale latérale droite de la cabine de douche.

- 14a. Repérez le panneau mural latéral droit (9) et placez-le sur une surface plane.
- REMARQUE: (Voir l'illustration de L'ÉTAPE 4a)** Repérez l'étiquette au dos du panneau indiquant le bord SUPÉRIEUR. Au dos du panneau (9), tracez soigneusement une ligne le long du bord à languette sur le BAS du panneau. Tout ajustement pour un mur qui n'est pas d'équerre ou mal aplombé doit être envisagé quand vous tracez cette ligne. Coupez pour retirer le bord à languette.
- 14b. En fonction de vos prises de mesure à l'étape 1 (Prise de mesures), recoupez l'extrémité gauche ou intérieure des panneaux. **Le tracé horizontal du coulis du panneau (5) doit être aligné horizontalement avec le panneau (1). Placez des cales sous le panneau (5) au besoin.**
- 14c. Répétez les étapes 4c à 4e.



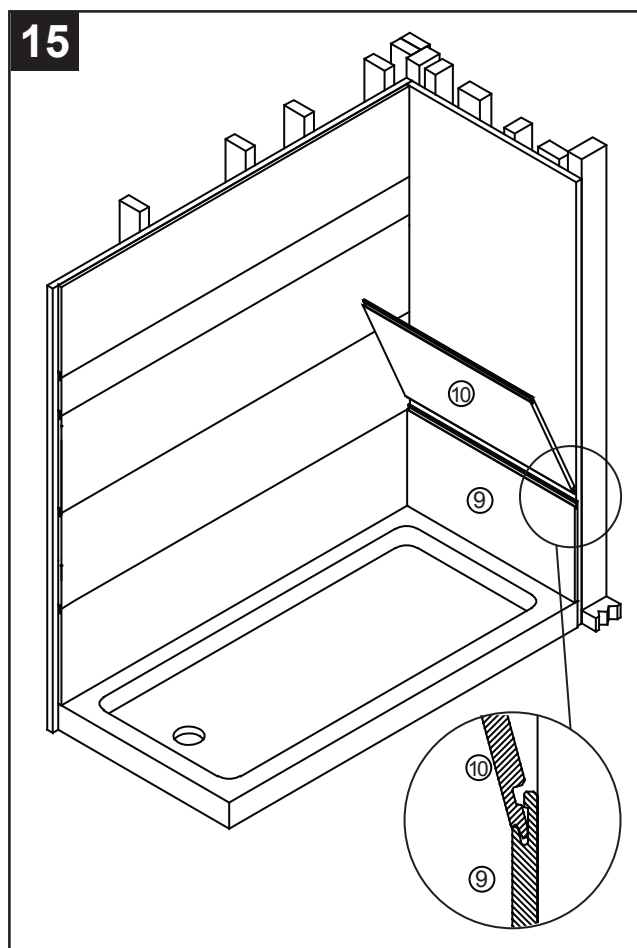
### ÉTAPE 15: INSTALLATION DU PANNEAU MURAL LATÉRAL DROIT (10)

- 15a. Repérez le panneau latéral droit (10) et placez-le sur une surface plane.
- 15b. En fonction de vos prises de mesure à l'étape 1 (Prise de mesures), effectuez toutes les coupes de plomberie requises, conformément aux instructions de l'étape 2 (Découpes).

**Remarque:** Si vous n'utilisez pas la largeur complète des panneaux latéraux gauches, recoupez l'extrémité gauche ou intérieure des panneaux; le coin arrière sera calfeutré plus tard au cours de l'installation et tout défaut de coupe peut être caché lors de ce processus.

**(Ne recoupez pas l'élément qui s'emboîte, ajustez seulement la largeur.)**

- 15c. Répétez les étapes 4c à 4e.



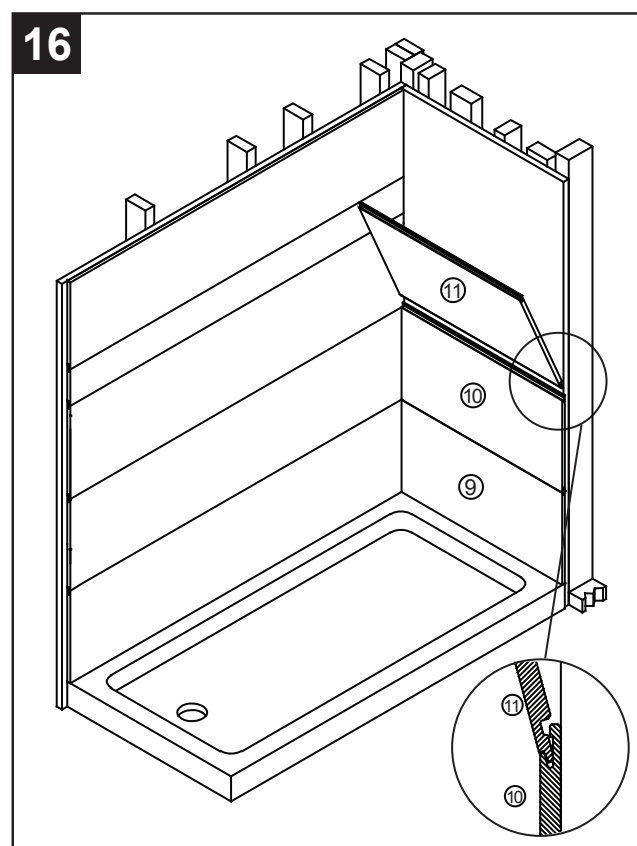
### ÉTAPE 16: INSTALLATION DU PANNEAU MURAL LATÉRAL DROIT (11)

- 16a. Repérez le panneau latéral droit (11) et placez-le sur une surface plane.
- 16b. En fonction de vos prises de mesure à l'étape 1 (Prise de mesures), effectuez les coupes de plomberie nécessaires conformément aux instructions de l'étape 2 (Découpes).

**Remarque:** Si vous n'utilisez pas la largeur complète des panneaux latéraux droits, recoupez l'extrémité gauche ou intérieure des panneaux; le coin arrière sera calfeutré plus tard au cours de l'installation et tout défaut de coupe peut être caché lors de ce processus.

**(Ne recoupez pas l'élément qui s'emboîte, ajustez seulement la largeur.)**

- 16c. Répétez les étapes 4c à 4e.



**INSTALLATION POUR MODÈLE N°  
RFL603696-SSS / RFL603696-CSS**

**ÉTAPE 17.1: INSTALLER UN PANNEAU  
D'APPOINT LATÉRAL DROIT (C)**

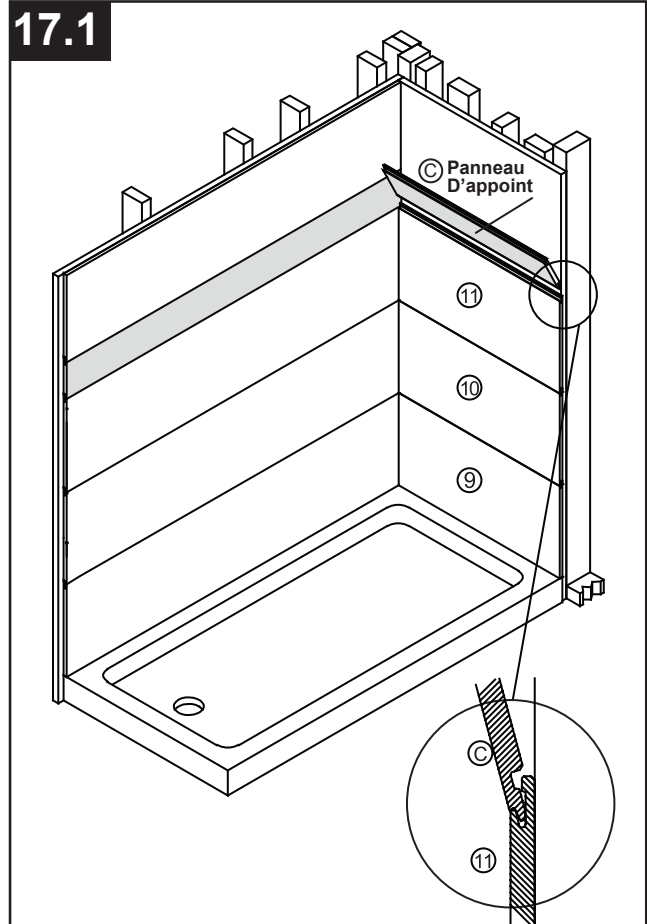
17.1a. Repérez le panneau d'appoint latéral droit (C) et placez-le sur une surface plane.

17.1b. En fonction de vos prises de mesure à l'étape 1 (Prise de mesures), effectuez toutes les découpes de plomberie requises, conformément aux instructions de l'étape 2 (Découpes).

**Remarque:** Si vous n'utilisez pas la largeur complète des panneaux latéraux gauches, recoupez l'extrémité gauche ou intérieure des panneaux; le coin arrière sera calfeutré plus tard au cours de l'installation et tout défaut de coupe peut être caché lors de ce processus.

**(Ne recoupez pas l'élément qui s'emboîte, ajustez seulement la largeur.)**

17.1c. Répétez les étapes 4c à 4e.

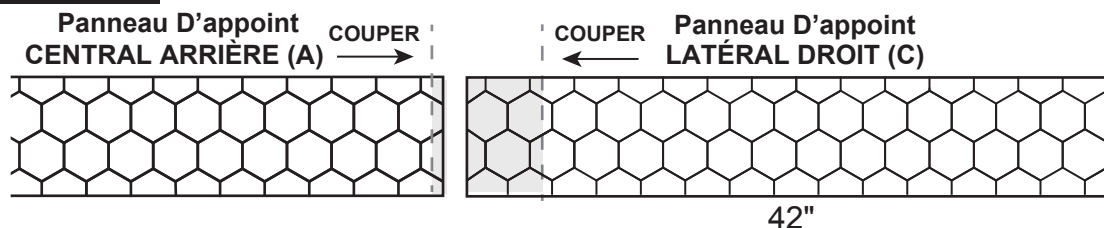


**INSTALLATION POUR LE MODÈLE N°  
RFL603696-SMH (APPOINT HEXAGONAL)**

**ÉTAPE 17.2: INSTALLATION DU PANNEAU D'APPOINT LATÉRAL DROIT (C) HEXAGONAL**

**REMARQUE:** L'ensemble comprend : (1) panneau d'appoint arrière hexagonal de 1,52 m (60 po) et (2) panneaux latéraux hexagonaux de 1,06 m (42 po) – Avec un supplément de longueur du panneau pour permettre les recoupes d'ajustements. Les panneaux d'appoint hexagonaux (A), (B) et (C) s'installent selon un modèle horizontal continu.

**17.2 EXEMPLE**



17.2a. Repérez le **Panneau D'appoint Latéral Droit (C)** et placez-le sur une surface plane.

17.2b. En fonction de vos prises de mesure à l'étape 1 (Prise de Mesures), recoupez comme nécessaire depuis le bord gauche ou intérieur du panneau (C). La quantité recoupée correspondra exactement au motif hexagonal sur le panneau central arrière (A).  
**(Ne recoupez pas l'élément qui s'emboîte, ajustez seulement la largeur.)**

17.2c. Répétez les étapes 4c à 4e.

### ÉTAPE 18: INSTALLATION DU PANNEAU MURAL LATÉRAL DROIT N° 12

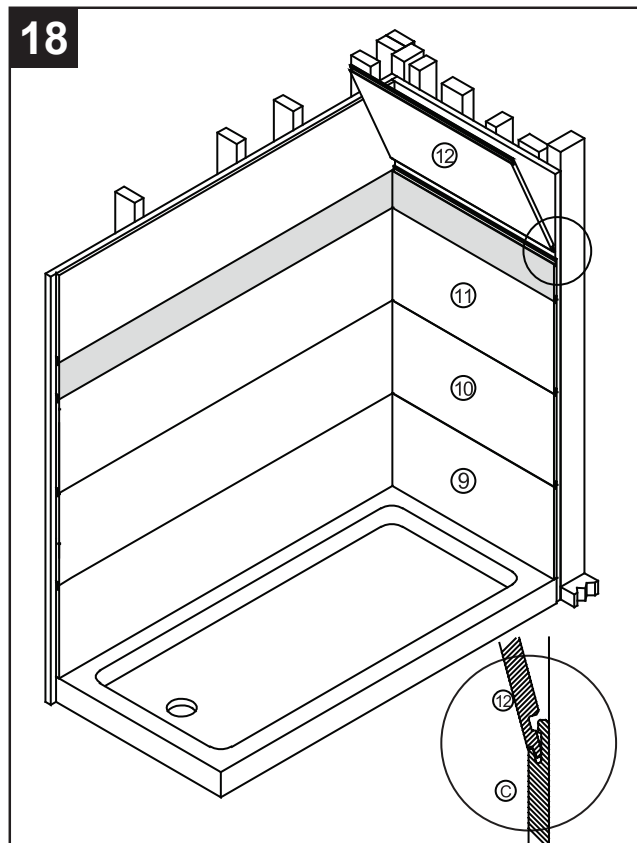
18a. Repérez le panneau mural latéral droit (12) et placez-le sur une surface plane.

18b. En fonction de vos prises de mesure à l'étape 1 (Prise de mesures), effectuez toutes les découpes de plomberie requises, conformément aux instructions de l'étape 2 (Découpes).

**Remarque:** Si vous n'utilisez pas la largeur complète des panneaux latéraux droits, recoupez l'extrémité gauche ou intérieure des panneaux.

Si la hauteur totale de votre installation est inférieure à 2,44 m (96 po), vous pouvez recouper le haut du panneau (4) au besoin.

18c. Répétez les étapes 4c à 4e.



### ÉTAPE 19: CALFEUTRAGE DES COINS ET REBORDS

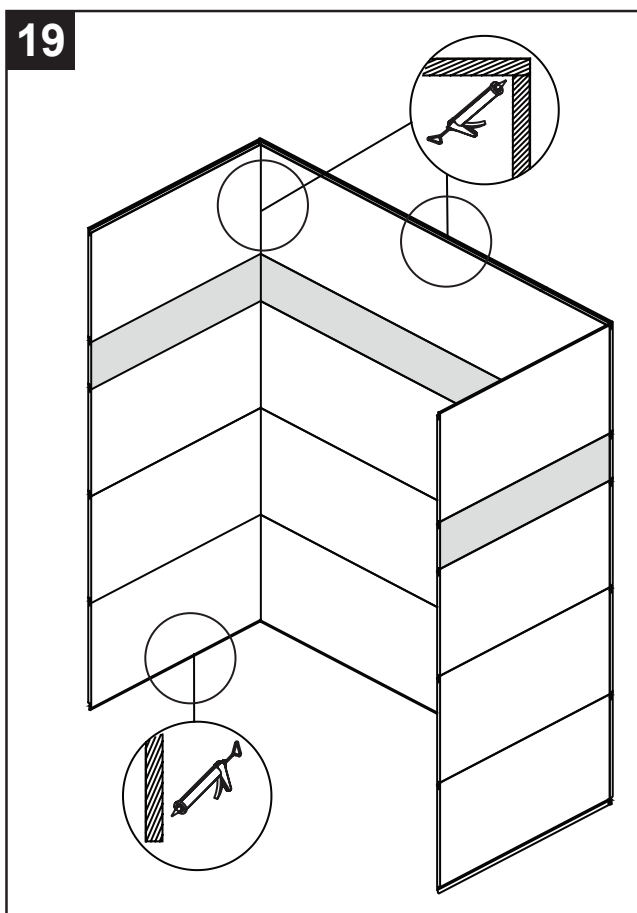
19a. Appliquez correctement du mastic de calfeutrage autour du système de paroi de douche pour assurer un ajustement serré et un bon fini.

Ceci comprend, sans s'y limiter:

- Les coins intérieurs où les parois de la douche se rencontrent.
- Les coins où les parois touchent le bac.
- Le bord extérieur des panneaux muraux latéraux.
- Le calfeutrage (facultatif) le long du rebord supérieur de l'enceinte tout entière n'est pas requis mais peut aider à contribuer à un aspect fini.

#### **!** AVERTISSEMENT

**Veillez maintenir la surface tout entière sèche pendant au moins 24 heures, pour permettre au mastic de calfeutrage et à l'adhésif de construction de sécher correctement.**





## ENTRETIEN

---

- Le nettoyage et l'entretien des parois de douche doivent être effectués régulièrement.
- Le moment idéal pour le nettoyage est juste après l'utilisation de la douche. Les résidus de savon, le calcaire et d'autres saletés pourraient contenir des matériaux invasifs. Le manque de nettoyage et d'entretien pourrait endommager la surface et l'intérieur des panneaux muraux. Le manque de nettoyage des parois de douche peut entraîner la décoloration du panneau mural.
- Les parois de douche doivent être nettoyées régulièrement avec un nettoyant ménager tout usage non abrasif ou un nettoyant pour vitres. Commencez toujours par tester votre solution nettoyante sur une partie non apparente avant de l'utiliser sur toute la surface.
- Évitez d'utiliser des nettoyants abrasifs, des poudres à récurer, du papier abrasif, de l'acide, de l'acétone, des nettoyants alcalins et de l'ammoniaque.
- Pour prolonger la durée de vie des panneaux muraux, un nettoyage quotidien avec des lingettes humides et un détergent neutre dilué approprié (PH 7-8) est recommandé. Nettoyez toujours avec un chiffon humide, car un nettoyage à sec pourrait rayer la surface.
- Évitez d'utiliser des solvants à fortes concentrations et des solutions alcalines ou acides fortes lors du nettoyage.
- Vous pouvez appliquer une fine couche de cire sur la surface du panneau mural après le nettoyage.
- L'usage inadéquat d'outils et d'objets pointus rayera la surface irrémédiablement.

## GARANTIE LIMITÉE

FGI Industries, Ltd., garantissent à l'acheteur initial que cette cabine de douche JETCOAT® sera exempte de tout défaut de fabrication qui nuirait à son rendement en tant que qu'unité de bains ou de douche, dans les conditions suivantes et sous réserve des restrictions figurant dans les sections « Recours » et « Exclusions de garantie ».

**Veillez vous rendre sur le site suivant pour vous inscrire:**

USA: [www.craftandmain.com](http://www.craftandmain.com)

CANADA: [www.craftandmain.ca](http://www.craftandmain.ca)

La garantie limitée est applicable pendant 10 ans à compter de la date d'achat, si l'unité est utilisée dans un bâtiment résidentiel occupé par le(la) propriétaire et pour un usage non commercial, ou pendant 2 ans à compter de la date d'achat si elle est utilisée dans tout autre bâtiment, y compris un bâtiment loué ou utilisé à des fins commerciales ou professionnelles.

- La présente garantie limitée sera nulle si l'unité n'est pas installée conformément aux instructions d'installation fournies par JETCOAT® ou aux codes et règlements de construction locaux, ou si les instructions d'entretien et de nettoyage fournies par JETCOAT® ne sont pas respectées.
- La présente garantie limitée sera également nulle si l'unité est déplacée de l'emplacement d'installation original, ou si elle fait l'objet d'un accident, d'un usage abusif ou d'un mauvais usage.
- La garantie limitée exclut une usure normale et ne couvre pas les dommages pouvant être réparés en suivant les instructions d'élimination d'éraflures.
- La présente garantie limitée sera nulle, à moins que tout défaut ou non conformité soit découvert(e) avant l'expiration de telle garantie et soit signalé(e) à FGI Industries, Ltd., par écrit, accompagné(e) de la preuve d'achat originale, dans les 30 jours suivant telle découverte.

### RECOURS:

Le recours de l'acheteur original, en vertu de la présente garantie limitée, est limité à la réparation, au remplacement ou au remboursement du prix d'achat de l'unité, à l'option exclusive de FGI Industries, Ltd., de toute pièce de l'unité faisant l'objet de la défaillance ou non conforme aux spécifications du fabricant.

En aucun cas FGI Industries, Ltd. ne sera tenue responsable de la perte de profits, de la perte d'usage, des dommages indirects, spéciaux ou accessoires y compris, mais non limités aux, dommages à l'usage ou perte d'usage du bâtiment ou de son contenu, résultant de tout défaut de l'unité et FGI Industries, Ltd. ne sera également pas tenue responsable de tout montant surpassant le prix d'achat original de l'unité.

FGI Industries, Ltd. se réserve le droit d'exiger le retour, aux frais de l'acheteur, de l'unité endommagée devant être réparée ou échangée, avant de fournir des services en vertu de la présente garantie limitée. Si FGI Industries, Ltd. décide de remplacer l'unité, son obligation est limitée à la fourniture d'une unité ou d'une pièce de taille et style comparables et ne comprend pas les frais de retrait, d'installation ou de transport, qui incombent à l'acheteur.

Les pièces de rechange fournies dans le cadre de la présente garantie limitée, sont couvertes pour la période restante de la garantie originale applicable à l'unité, comme si telles pièces faisaient partie des composants d'origine de cette unité.

### EXCLUSIONS DE LA GARANTIE:

**IL N'EXISTE AUCUNE AUTRE GARANTIE DONT LA PORTÉE DÉPASSE LES LIMITES DE CE QUI EST DÉCRIT AUX PRÉSENTES. LES GARANTIES IMPLICITES, Y COMPRIS LA GARANTIE DE QUALITÉ MARCHANDE OU D'ADAPTATION À UN USAGE PARTICULIER, SONT EXPRESSÉMENT EXCLUES. FGI INDUSTRIES, LTD. DÉCLINE TOUTE RESPONSABILITÉ QUANT AUX DOMMAGES SPÉCIAUX, INDIRECTS OU ACCESSOIRES. Certains États ou provinces ne permettent pas l'exclusion ou la restriction des dommages indirects ou accessoires, et les restrictions et exclusions citées ci-dessus peuvent donc ne pas s'appliquer à votre cas. Dans de tels États ou provinces, la responsabilité de FGI Industries, Ltd. fera l'objet des limites prévues par la loi provinciale ou de l'état. L'ÉTENDUE ET LA DURÉE DE TOUTES LES GARANTIES IMPLICITES ISSUES D'UNE LÉGISLATION PROVINCIALE OU DE L'ÉTAT, Y COMPRIS TOUTE GARANTIE IMPLICITE DE QUALITÉ MARCHANDE OU D'ADAPTATION À UN USAGE PARTICULIER, SONT LIMITÉES AUX MODALITÉS DE LA PRÉSENTE GARANTIE LIMITÉE, À MOINS QU'UNE PÉRIODE PLUS COURTE SOIT PERMISE PAR LA LOI.**



**JETCOAT**<sup>®</sup>  
SHOWER WALL SYSTEM

**REFLECTIONS™**

**MODELO#:**

**RFL603696-SSS**

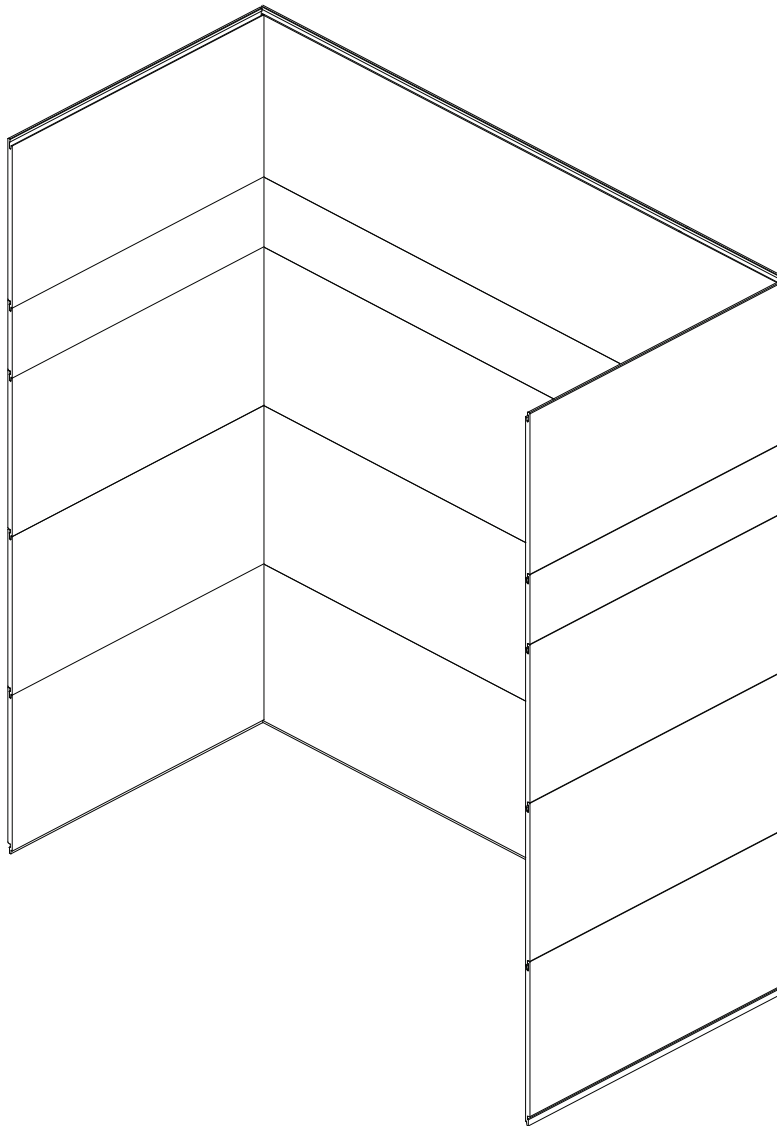
**RFL603696-SMH**

**RFL603696-CSS**

**LEE DETENIDAMENTE LAS INSTRUCCIONES**

Familiarízate con todas las piezas tal como se muestran en la vista ampliada. La vista ampliada sirve también como útil referencia para conocer la ubicación de varias piezas y cómo se instalan.

COPIA EL NÚMERO DE MODELO PARA TUS REGISTROS AQUÍ #



**Asistencia Gratuita Al Cliente**

De Lunes a Viernes de 7:30 a.m. a 5:00 p.m. CST

**1-888-620-3667** Clientes de EE. UU.

**1-888-256-7551** Clientes de Canadá

906 Murray Rd., East Hanover, NJ 07936  
USA: [www.craftandmain.com](http://www.craftandmain.com)

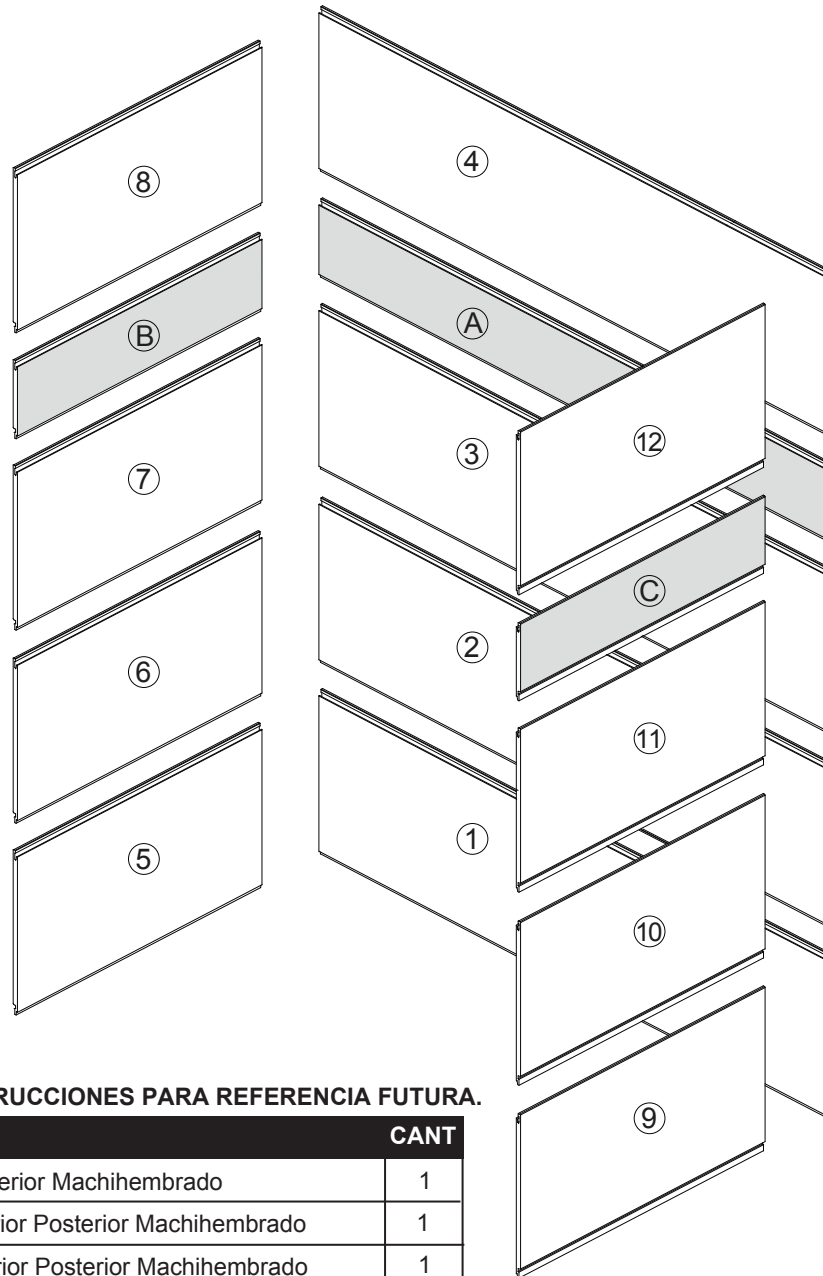
5970 Chedworth Way, Unit B, Mississauga, Ontario, Canada L5R 4G5  
CANADA: [www.craftandmain.ca](http://www.craftandmain.ca)

## TABLA DE CONTENIDO

---

|  |      |
|--|------|
| Contenidos del Paquete .....                 | 3    |
| Información de Seguridad .....               | 4    |
| Preparation .....                            | 4-5  |
| Instrucciones De Montaje O Instalación ..... | 6-18 |
| Cuidado Y Mantenimiento .....                | 19   |
| Garantía .....                               | 20   |

## CONTENIDO DEL PAQUETE



CONSERVA ESTAS INSTRUCCIONES PARA REFERENCIA FUTURA.

| PIEZA | DESCRIPCIÓN                                      | CANT |
|-------|--|------|
| 1     | Panel Inferior Posterior Machihembrado           | 1    |
| 2     | Panel Central Inferior Posterior Machihembrado   | 1    |
| 3     | Panel Central Inferior Posterior Machihembrado   | 1    |
| A     | Panel Decorativo Posterior Machihembrado         | 1    |
| 4     | Panel Superior Posterior Machihembrado           | 1    |
| 5     | Panel Inferior Lateral Izquierdo Machihembrado   | 1    |
| 6     | Panel Central Lateral Izquierdo Machihembrado    | 1    |
| 7     | Panel Central Lateral Izquierdo Machihembrado    | 1    |
| B     | Panel Decorativo Lateral Izquierdo Machihembrado | 1    |
| 8     | Panel Superior Lateral Izquierdo Machihembrado   | 1    |
| 9     | Panel Inferior Lateral Derecho Machihembrado     | 1    |
| 10    | Panel Central Lateral Derecho Machihembrado      | 1    |
| 11    | Panel Central Lateral Derecho Machihembrado      | 1    |
| C     | Panel Decorativo Lateral Derecho Machihembrado   | 1    |
| 12    | Panel Superior Lateral Derecho Machihembrado     | 1    |



**CUIDADO:** No colocar en esquinas al manipular las piezas de pared.

## **⚠ INSTRUCCIONES DE SEGURIDAD**

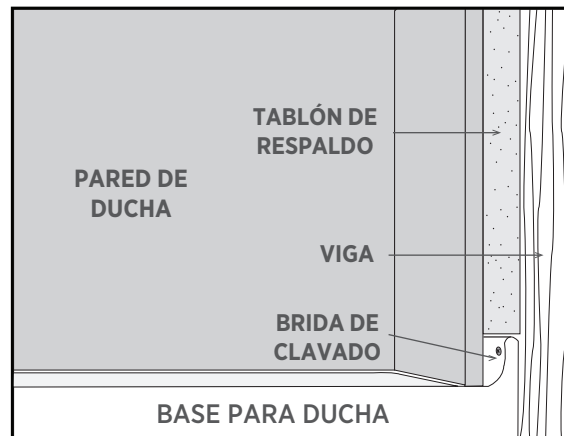
Lee y entiende este manual por completo antes de intentar ensamblar, operar o instalar el producto.

### **⚠ CUIDADO:**

No lo coloque en las esquinas durante su manipulación.

### **PRECAUCIÓN**

Cuando se usa junto con una base de ducha que tiene una brida de clavado, el Sistema de Pared de ducha JETCOAT® está diseñado para instalarse como se muestra en el dibujo. La brida de clavado de la base debe fijarse directamente a los montantes desnudos con un tablero de respaldo unido a los montantes sobre la brida de clavado. Las paredes JETCOAT® se instalan sobre el tablero de respaldo extendiéndose hacia abajo de frente a la brida de clavado y descansando sobre la base. No instalar la base en esta configuración puede causar problemas al instalar las paredes JETCOAT®.



### **PREPARACIÓN**

Antes de instalar el producto, asegúrate de tener todas las piezas. Compara las piezas con la lista de contenido del paquete. Si alguna pieza falta o está dañada, no intentes ensamblar o instalar el producto.

**Herramientas Necesarias Para El Ensamblaje (no incluidas):** Cuchilla multiuso, alicates de bloqueo, mazo de hule, sierra circular, sierra cilíndrica, cinta de medir.

**Materiales Necesarios Para El Ensamblaje (incluidos):** Cinta adhesiva de doble faz para construcción.

**Materiales Necesarios Para El Ensamblaje (no incluidos):** Silicona, adhesivo para construcción.

- Comienza midiendo el ancho total de la pared posterior después de haberla limpiado y preparado para la instalación.
- Si la altura total de la pared posterior y/o de la pared lateral es inferior a la altura de los paneles, recorta el panel (4), panel (8) y panel (12) para ajustarlos a la medida.
- Cierra el suministro de agua.
- Retira todos los herrajes y decoraciones de la ducha, incluyendo, aunque sin limitarse a: Llaves de grifos, escudetes, caños de llenado, toalleros y jaboneras.
- Todo el trabajo eléctrico y de plomería dentro de las paredes tiene que terminarse antes de comenzar la instalación de los paneles de pared.
- Las paredes deben ser sólidas y rectas a plomada, en ángulo recto con desviación máxima de 1/8 plg (3 mm). El Sistema de Pared para Ducha ha sido diseñado para permitir el uso de molduras que corrijan pequeños problemas de alineación.
- La superficie de montaje debe estar limpia y preparada, de acuerdo con el procedimiento de instalación.

### **CONSEJOS PARA EL USO DE PASTA SELLADORA:**

- Sigue las instrucciones que aparecen en el tubo de la pasta selladora seleccionada.
- Una vez terminado el proyecto, revisa todas las áreas donde se ha aplicado pasta selladora para ver si hay grietas o huecos que necesiten rellenarse.
- Retira el exceso de pasta selladora usando un paño limpio y alcohol desnaturalizado. Ten cuidado de no dañar las uniones de pasta selladora.

## PREPARACIÓN

---

### PROCEDIMIENTO DE INSTALACIÓN:

El sistema de pared para ducha puede instalarse sobre una variedad de productos. Consulta a un contratista profesional si piensas colocar los paneles sobre una superficie diferente a las descritas aquí.

### CEMENTO/CONCRETO:

- Dependiendo de la condición (planicie) de la pared existente, es posible que se requiera silicona adicional para asegurar adecuadamente los paneles de la pared al sustrato.
- La superficie tiene que estar completamente limpia. Esto incluye, aunque no se limita a: Sedimentos de jabón, polvo y otros contaminantes que pueden afectar la adherencia. No hace falta quitar las losas de cerámica si están bien adheridas.
- Se recomienda: Toda el área tiene que sellarse con dos capas de sellador a base de agua o aceite para garantizar la adhesión adecuada del Sistema de Pared para Ducha.
- Después de que el sellador se haya secado completamente, termina la instalación de los paneles de pared siguiendo el manual de instrucciones.

### MASONITA:

- La superficie tiene que estar completamente limpia. Esto incluye, aunque no se limita a: Sedimentos de jabón, polvo y otros contaminantes que pueden afectar la adherencia.
- Opcional: Toda el área tiene que sellarse con dos capas de sellador a base de agua o aceite para garantizar la adhesión adecuada del Sistema de Pared para Ducha.
- Después de que el sellador se haya secado completamente, termina la instalación de los paneles de pared siguiendo el manual de instrucciones.

### LOSA VIEJA:

**IMPORTANTE:** Todas las losas plásticas tienen que retirarse. No hace falta quitar las losas de cerámica viejas si están bien adheridas.

- Dependiendo de la condición (planicie) de la pared existente, es posible que se requiera silicona adicional para asegurar adecuadamente los paneles de la pared al sustrato.
- Retira y/o fija adecuadamente cualquier losa de cerámica suelta.
- Retira todos los accesorios de losa que estén sujetos a la pared. La superficie tiene que estar completamente limpia. Esto incluye, aunque no se limita a: sedimentos de jabón, polvo y otros contaminantes que pueden afectar la adherencia.
- Completa la instalación de la pared de ducha siguiendo el manual de instrucciones.

### YESO:

- Puede que se requiera silicona adicional para asegurar bien el sustrato y el panel de pared, en función de la condición misma de la pared existente.
- Alisa los acabados texturizados y/o ondulados con una lija.
- La superficie tiene que estar completamente limpia. Esto incluye, aunque no se limita a: sedimentos de jabón, polvo y otros contaminantes que pueden afectar la adherencia.
- Se recomienda: Toda el área tiene que sellarse con dos capas de sellador a base de agua o aceite para garantizar la adhesión adecuada del Sistema de Pared para Ducha.
- Después de que el sellador se haya secado completamente, termina la instalación de los paneles de pared siguiendo el manual de instrucciones.

### SHEETROCK/YESO IMPERMEABLE/PLACA DE CEMENTO/MADERA:

- La superficie debe estar completamente limpia y libre de residuos de jabón, polvo y cualquier otro contaminante que pueda afectar la adherencia.
- Opcional: Toda el área tiene que sellarse con dos capas de sellador a base de agua o aceite para garantizar la adhesión adecuada del Sistema de Pared para Ducha.
- Después de que el sellador se haya secado completamente, termina la instalación de los paneles de pared siguiendo el manual de instrucciones.

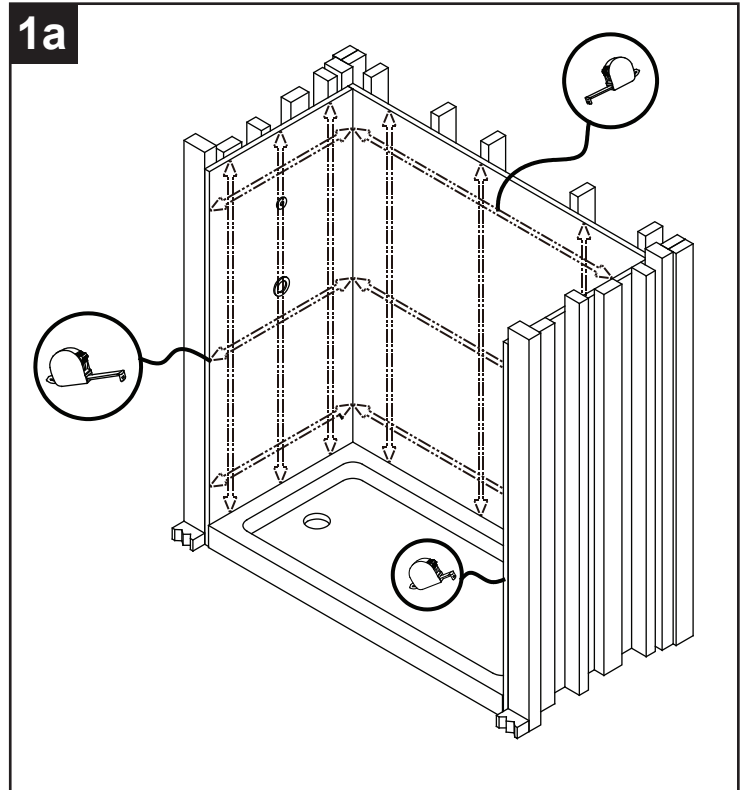
## INSTRUCCIONES DE INSTALACIÓN / PASO 1 - CÓMO MEDIR

### PASO 1: CÓMO MEDIR

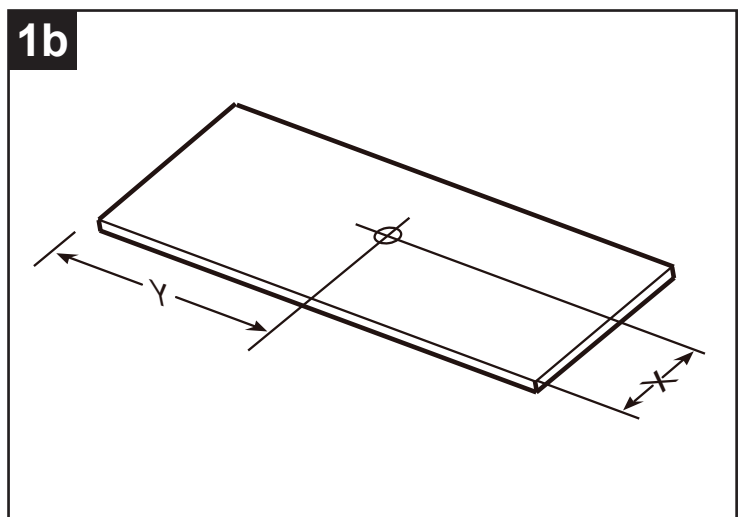
- 1a. Mide la altura del área de instalación en ambos extremos de cada pared.

Desde la parte superior del plato de la ducha hasta el techo. Si la altura del techo es menor que la altura de los paneles incluidos en el kit, los paneles se pueden cortar usando el mismo procedimiento de corte descrito en el paso 2.

Mide el ancho de cada pared en la parte superior e inferior del área de instalación.



- 1b. Mide las ubicaciones de los recortes para los accesorios de plomería y márcalos en la parte posterior de los paneles apropiados.



## INSTRUCCIONES DE INSTALACIÓN / PASO 2 - CÓMO CORTAR

### PASO 2: CÓMO CORTAR

**Nota:** Las flechas en la etiqueta en la parte posterior de cada panel indican la PARTE SUPERIOR del panel. Los pasos 2 y 3 se repetirán al instalar cada uno de los 15 paneles de pared.

Las siguientes instrucciones de cómo cortar deben seguirse al hacer todos los cortes.

- 2a. Traza con cuidado una línea en la parte posterior de cada panel donde se realizará el corte. Al dibujar esta línea deben tenerse en cuenta los ajustes por desalineación o desfase de las piezas.

**Nota:** Es muy recomendable usar una regla siempre que sea posible.

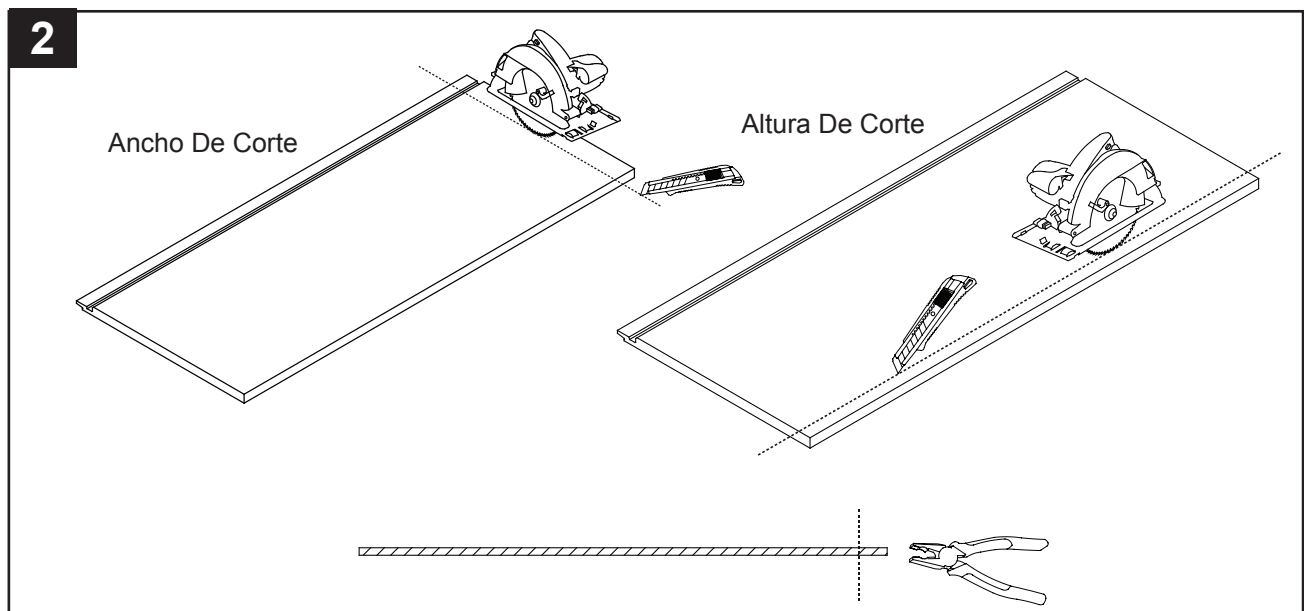
- 2b. Es recomendable utilizar una sierra circular para realizar los cortes necesarios. Si utilizas una cuchilla multiuso, marca la línea varias veces y luego utiliza los alicates de bloqueo para cortar el excedente de la pieza, como se muestra.

**Nota:** Si tu instalación es menor que la altura total de 96" (243.8 cm), puedes recortar la parte superior de los paneles superior. Ver la instalación para panel (4), panel (8) y panel (12).



### ADVERTENCIA

BAJO NINGUNA CIRCUNSTANCIA DEBEN RECORTARSE LOS BORDES DE LA LENGÜETA O LA RANURA, YA QUE ESTO PUEDE AFECTAR A LA HERMETICIDAD DE LA INSTALACIÓN FINAL.



### Cortes Para La Plomería:

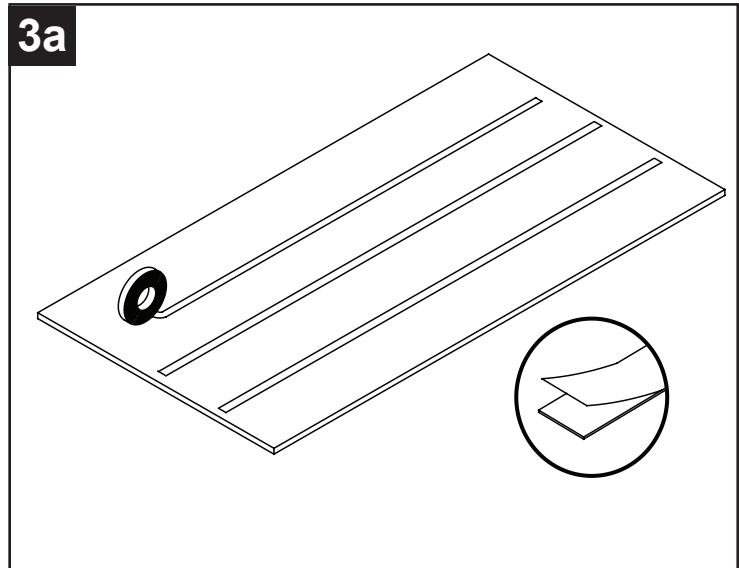
Utiliza un taladro y una sierra cilíndrica del tamaño adecuado para hacer los cortes para la ducha, caño de llenado, las manijas del grifo y/o cualquier otro corte necesario para la plomería que ya esté en las paredes.

**Nota:** Para asegurarte de que tus medidas son correctas, haz una plantilla de cartón para probar los cortes para la plomería antes de cortar los paneles de pared para ducha. El taladro puede dañar la superficie del panel de pared para ducha. Taladra los orificios desde la parte posterior del panel.

## INSTRUCCIONES DE INSTALACIÓN / PASO 3 - CÓMO APLICAR ADHESIVOS

### PASO 3: CÓMO APLICAR ADHESIVOS Y CINTA ADHESIVA A LA PARTE POSTERIOR DE LOS PANELES DE PARED

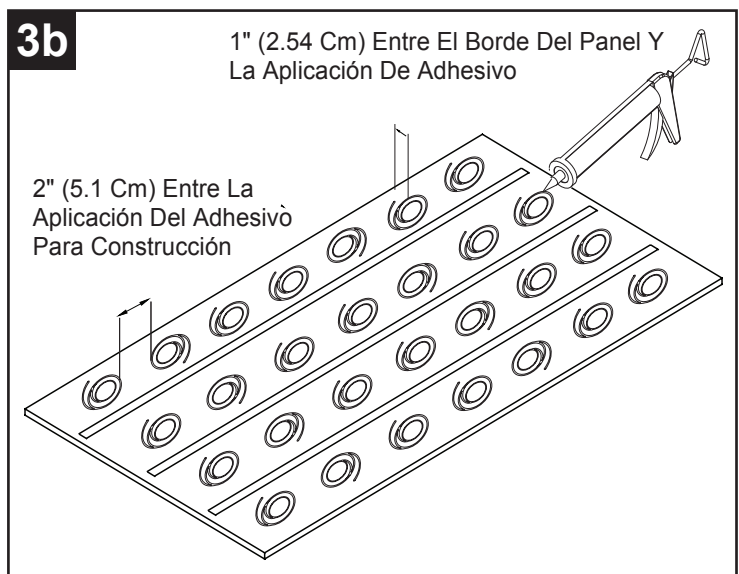
- 3a. Aplica cinta adhesiva de doble faz para construcción en la parte posterior del panel de pared como se muestra.



- 3b. Aplica adhesivo para construcción en los espacios entre la cinta tal como se muestra en un panel circular.

Las líneas de adhesivo deben estar a 2" (5.08 cm) de distancia y hasta, pero no más cerca de 1" (2.54 cm) del borde del panel.

**Nota:** El patrón circular es fundamental para una adherencia adecuada.





### PASO 4: CÓMO INSTALAR EL PANEL DE PARED INFERIOR POSTERIOR (1)

**Nota:** Debes instalar los paneles de pared posteriores en el orden y orientación correctos para asegurar un producto con acabado hermético.

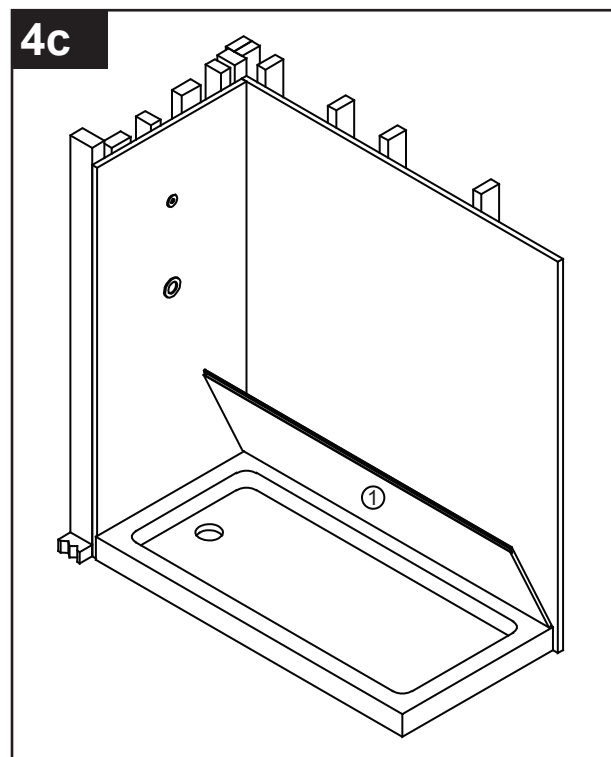
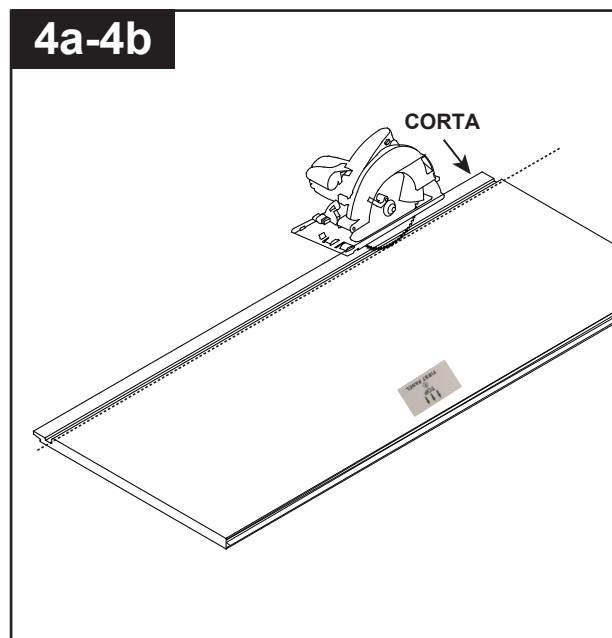
Hay una etiqueta en la parte posterior de cada panel que indica el número de panel y una flecha que apunta al borde SUPERIOR de ese panel. Los paneles 1, 2, 3, A y 4 forman la sección de la pared posterior del espacio de tu pared para ducha.

- 4a. Ubica el **Panel (1)** de la pared posterior y colócalo sobre una superficie plana.

#### RECOMENDACIÓN:

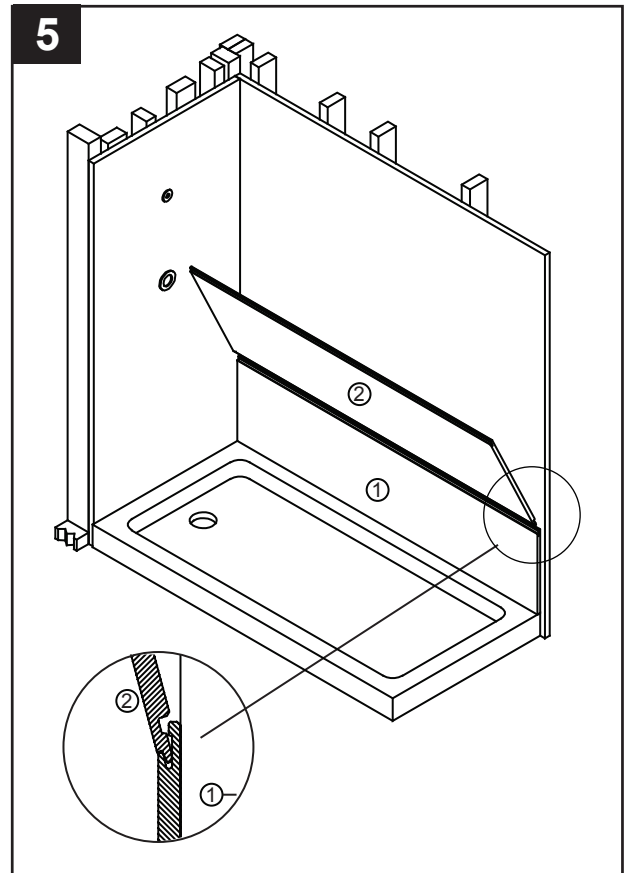
Corta y retira el borde de la lengüeta. Fíjate en la etiqueta de la parte posterior del panel, que indica el borde SUPERIOR. En la parte posterior del panel (1), dibuja con cuidado una línea a lo largo del borde de la lengüeta en la PARTE INFERIOR del panel. Al dibujar esta línea deben tenerse en cuenta los ajustes por desalineación o desfase de las piezas.

- 4b. En base a las medidas del paso 1 (Cómo Medir), corta el panel al tamaño adecuado. Recorta el ancho por igual desde ambos extremos del panel.
- 4c. Aplica la cinta de doble faz y el adhesivo para construcción como se explica en el paso 3.
- 4d. Despega la parte posterior de la cinta de doble faz de la parte posterior del panel. Coloca el panel aproximadamente en un ángulo de 30 grados, empuja el borde inferior hacia la esquina donde la pared se encuentra con el panel de ducha y luego empuja con cuidado el panel hacia la pared posterior.
- 4e. Empuja el panel firmemente contra la pared para eliminar las burbujas de aire a lo largo de toda el área y luego golpea ligeramente el panel con un mazo de hule de arriba a abajo y de extremo a extremo para asegurarte de que esté bien conectado a la pared.



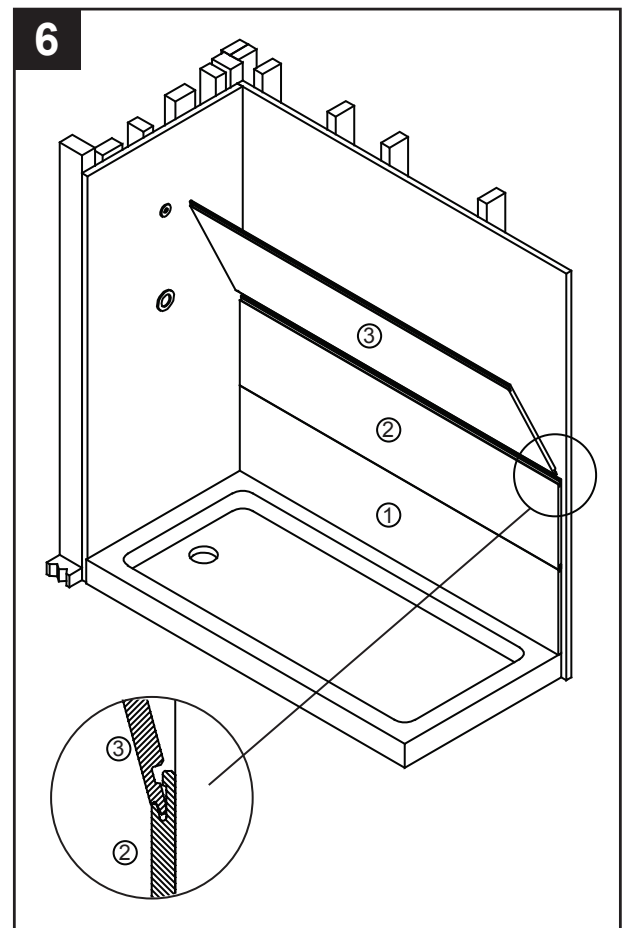
**PASO 5: CÓMO INSTALAR EL PANEL DE PARED POSTERIOR (2)**

- 5a. Ubica el **Panel (2)** de pared posterior y colócalo sobre una superficie plana.
- 5b. En base a las medidas del paso 1 (Cómo Medir), recorta el ancho por igual desde ambos extremos del panel. **(No cortes la función de entrelazado, ajusta sólo el ancho).**
- 5c. Repite los pasos 4c. - 4e.



**PASO 6: CÓMO INSTALAR EL PANEL DE PARED POSTERIOR (3)**

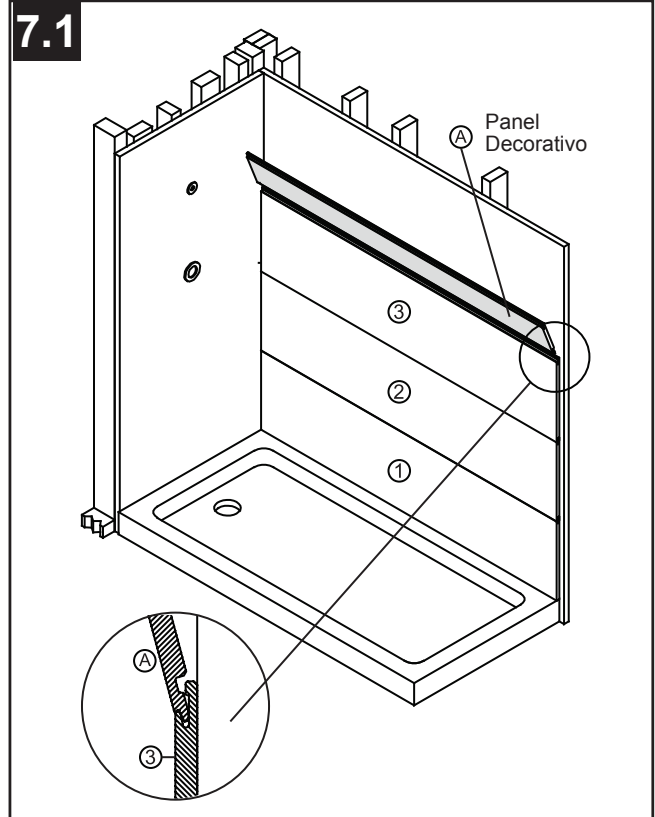
- 6a. Ubica el **Panel (3)** de pared posterior y colócalo sobre una superficie plana.
- 6b. En base a las medidas del paso 1 (Cómo Medir), recorta el ancho por igual desde ambos extremos del panel. **(No cortes la función de entrelazado, ajusta sólo el ancho).**
- 6c. Repite los pasos 4c. - 4e.



**INSTALACIÓN PARA EL MODELO#  
RFL603696-SSS / RFL603696-CSS**

**PASO 7.1: CÓMO INSTALAR EL PANEL DECORATIVO POSTERIOR (A) SUBWAY**

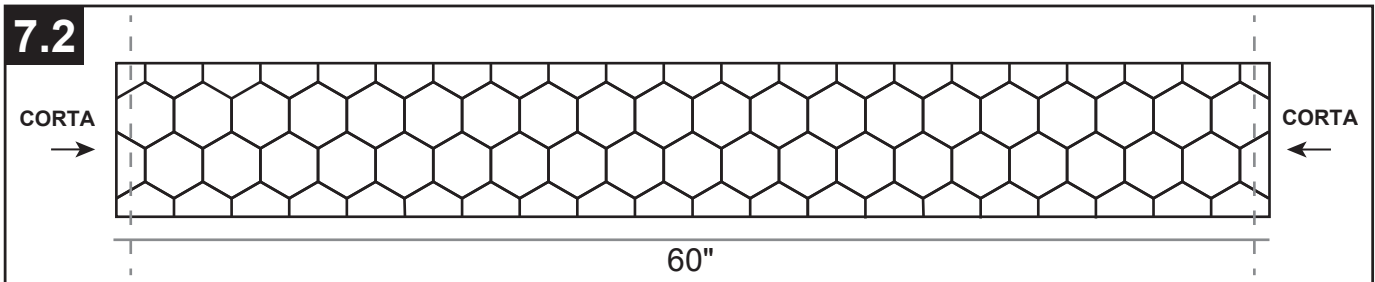
- 7.1a. Localiza el **Panel (A)** decorativo posterior y colócalo sobre una superficie plana.
- 7.1b. En base a las medidas del paso 1 (Cómo Medir), **recorta el ancho por igual desde ambos extremos del panel**, ya que en las esquinas posteriores se aplicará pasta selladora más adelante en la instalación y cualquier defecto en el corte puede ocultarse en el proceso. **(No cortes la función de entrelazado, ajusta sólo el ancho).**
- 7.1c. Repite los pasos 4c. - 4e.



**INSTALACIÓN PARA EL MODELO#  
RFL603696-SMH (DECORATIVO CON PATRÓN HEXAGONAL)**

**PASO 7.2: CÓMO INSTALAR EL PANEL DECORATIVO POSTERIOR (A) CON PATRÓN HEXAGONAL**

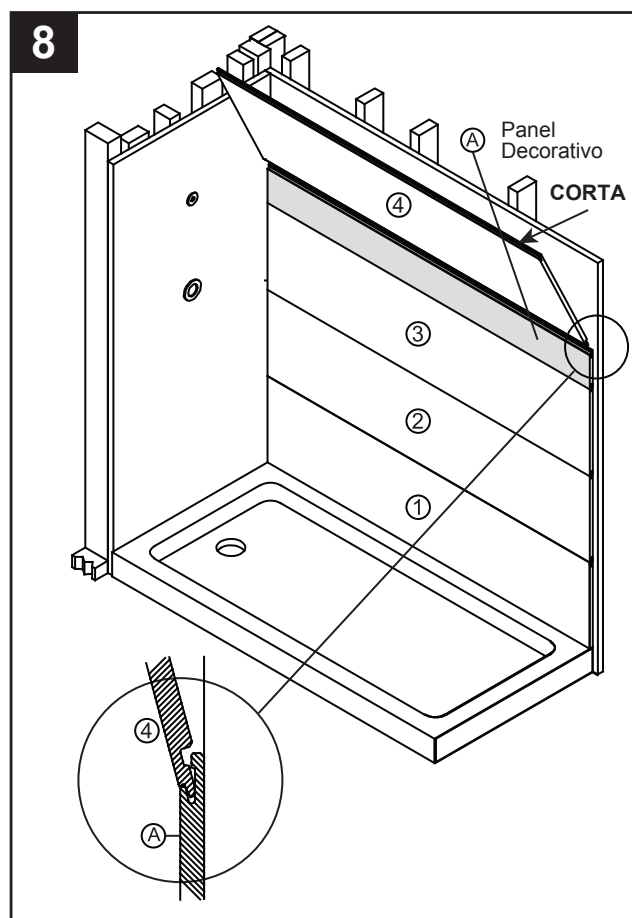
**NOTA:** Tu kit incluye: (1) panel decorativo posterior con patrón hexagonal de 60" (152.4 cm) y (2) paneles laterales con patrón hexagonal de 42" (106.7 cm), con longitud adicional del panel para permitir ajustes de la moldura. El panel decorativo con patrón hexagonal (A), el panel (B) y el panel (C) se instalan en un patrón horizontal continuo.



- 7.2a. Localiza el **Panel (A)** Decorativo Posterior y colócalo sobre una superficie plana.
- 7.2b. En base a las medidas del paso 1 (Cómo Medir), **recorta el ancho por igual desde ambos extremos del panel**, ya que en las esquinas posteriores se aplicará pasta selladora más adelante en la instalación y cualquier defecto en el corte puede ocultarse en el proceso. **(No cortes la función de entrelazado, ajusta sólo el ancho).**
- 7.2c. Repite los pasos 4c. - 4e.

### PASO 8: CÓMO INSTALAR EL PANEL DE PARED SUPERIOR POSTERIOR (4)

- 8a. Ubica el **Panel (4)** de pared superior posterior y colócalo sobre una superficie plana.
- 8b. En base a las medidas del paso 1 (Cómo Medir), **recorta el ancho por igual desde ambos extremos del panel**, ya que en las esquinas posteriores se aplicará pasta selladora más adelante en la instalación y cualquier defecto en el corte puede ocultarse en el proceso.  
**Nota:** Si tu instalación es menor que la altura total de 96" (243.8 cm), corta desde la parte superior del panel (4) según sea necesario.
- 8c. Repite los pasos 4c. - 4e.

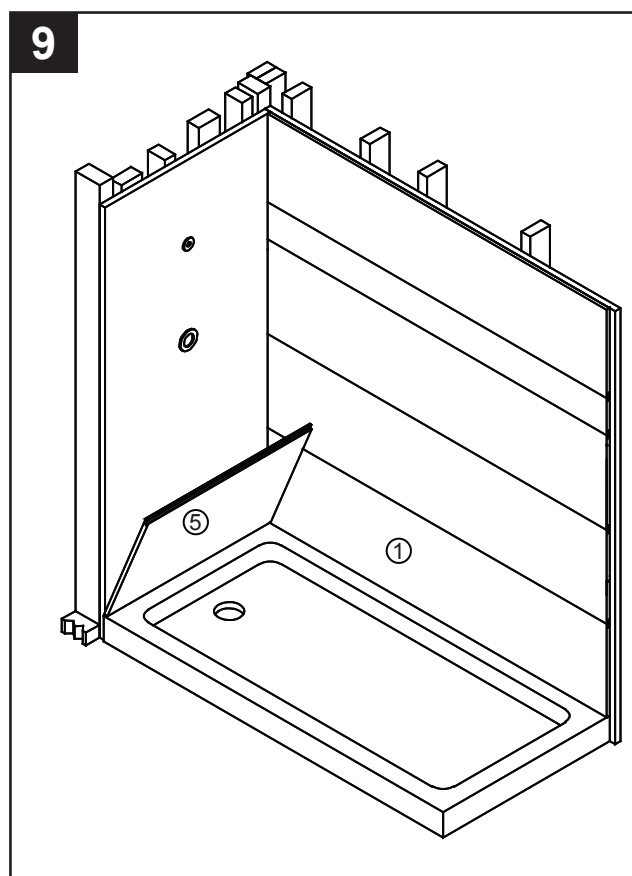


### PASO 9: Cómo Instalar El Panel De Pared Inferior Lateral Izquierdo (5)

**Nota:** Debes instalar los paneles de pared laterales en el orden y orientación correctos para asegurar un producto con acabado hermético.

Hay una etiqueta en la parte posterior de cada panel que indica el número de panel y una flecha que apunta al borde SUPERIOR de ese panel. Los paneles 5, 6, 7, B y 8 forman la sección de pared lateral izquierda de tu espacio para ducha.

- 9a. Ubica el **Panel (5)** de pared lateral izquierdo y colócalo sobre una superficie plana.  
**RECOMENDACIÓN:** Corta y retira el borde de la lengüeta. (**Ver la ilustración del PASO 4a**) Fíjate en la etiqueta de la parte posterior del panel, que indica el borde SUPERIOR. En la parte posterior del panel (1), dibuja con cuidado una línea a lo largo del borde de la lengüeta en la PARTE INFERIOR del panel. Deben tenerse en cuenta los ajustes por desalineación o desfase de las piezas.
- 9b. En base a las medidas del paso 1 (Cómo Medir), recorta el borde derecho/interior de los paneles, ya que en las esquinas posteriores se aplicará pasta selladora más adelante en la instalación y cualquier defecto en el corte puede ocultarse en el proceso. **El patrón de lechada horizontal del panel (5) debe alinearse horizontalmente con el panel (1).** Coloca una cuña debajo del panel (5) según sea necesario.
- 9c. Repite los pasos 4c – 4e.

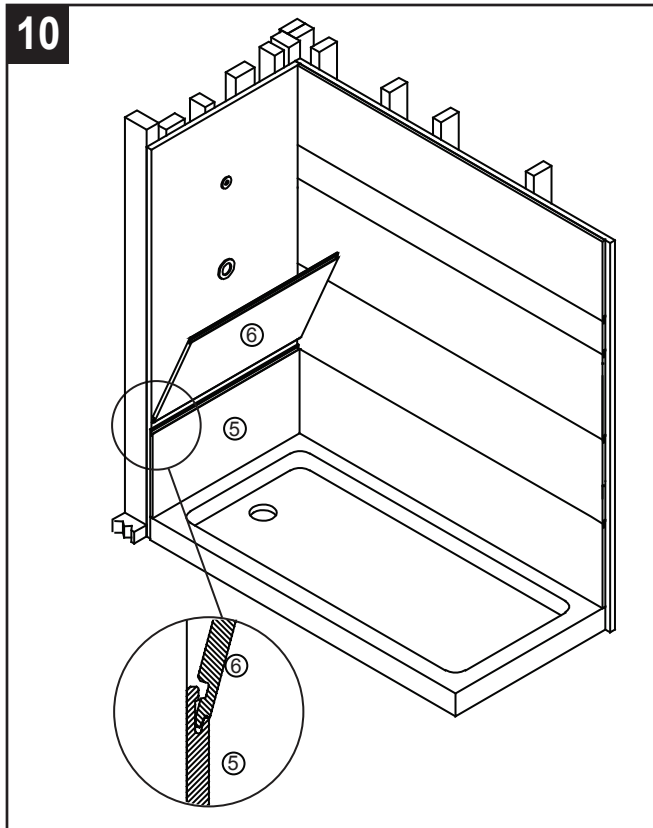


**PASO 10: CÓMO INSTALAR EL PANEL DE PARED LATERAL IZQUIERDO (6)**

- 10a. Ubica el **Panel (6)** lateral izquierdo y colócalo sobre una superficie plana.
- 10b. En base a las medidas del paso 1 (Cómo Medir), haz los cortes de plomería necesarios según las instrucciones del paso 2 (Cómo Cortar).

**Nota:** Si no estás usando el ancho total de los paneles laterales izquierdos, recorta el borde derecho/interior de los paneles, ya que en las esquinas posteriores se aplicará pasta selladora más adelante en la instalación y cualquier defecto en el corte puede ocultarse en el proceso. **(No cortes la función de entrelazado, ajusta sólo el ancho).**

- 10c. Repeat Steps 4c. - 4e.

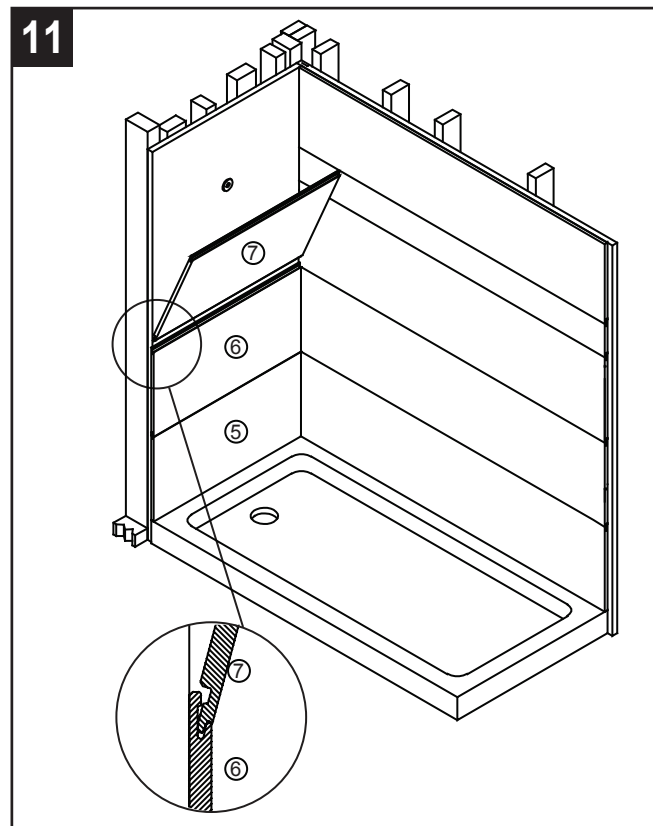


**PASO 11: CÓMO INSTALAR EL PANEL DE PARED LATERAL IZQUIERDO (7)**

- 11a. Ubica el **Panel (7)** lateral izquierdo y colócalo sobre una superficie plana.
- 11b. En base a las medidas del paso 1 (Cómo Medir), haz los cortes de plomería necesarios según las instrucciones del paso 2 (Cómo Cortar).

**Nota:** Si no estás usando el ancho total de los paneles laterales izquierdos, recorta el borde derecho/interior de los paneles, ya que en las esquinas posteriores se aplicará pasta selladora más adelante en la instalación y cualquier defecto en el corte puede ocultarse en el proceso. **(No cortes la función de entrelazado, ajusta sólo el ancho).**

- 11c. Repite los pasos 4c. - 4e.



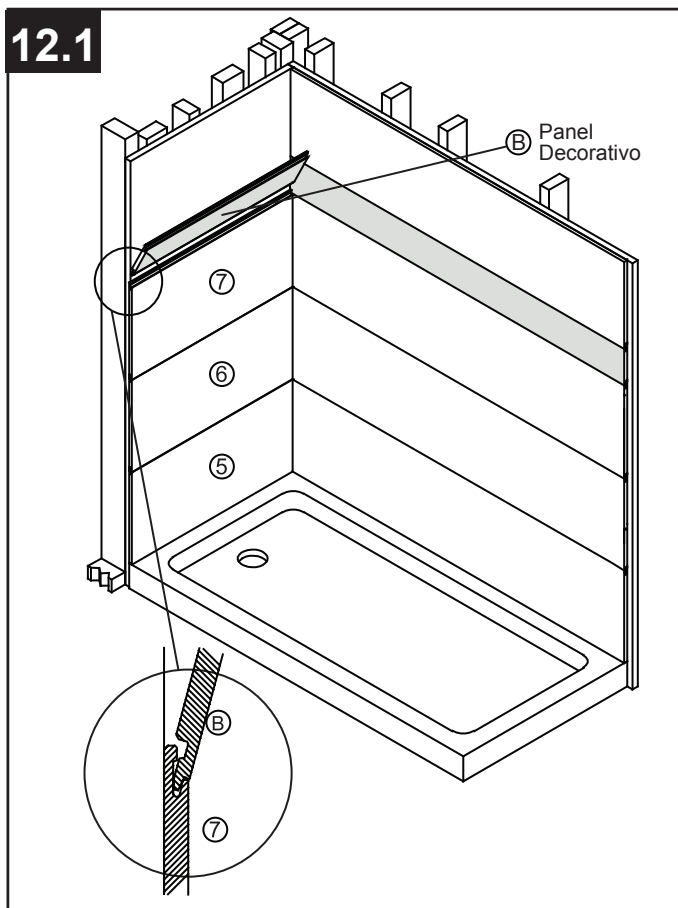
**INSTALACIÓN PARA EL MODELO#  
RFL603696-SSS / RFL603696-CSS**

**PASO 12: CÓMO INSTALAR EL LADO  
IZQUIERDO DEL PANEL DECORATIVO  
(B) SUBWAY**

- 12.1a. Ubica el **Panel (B)** decorativo lateral izquierdo y colócalo sobre una superficie plana.
- 12.1b. En base a las medidas del paso 1 (Cómo Medir), haz los cortes de plomería necesarios según las instrucciones del paso 2 (Cómo Cortar).

**Nota:** Si no estás usando el ancho total de los paneles laterales izquierdos, recorta el borde derecho/interior de los paneles, ya que en las esquinas posteriores se aplicará pasta selladora más adelante en la instalación y cualquier defecto en el corte puede ocultarse en el proceso. **(No cortes la función de entrelazado, ajusta sólo el ancho).**

- 12.1c. Repite los pasos 4c. - 4e.

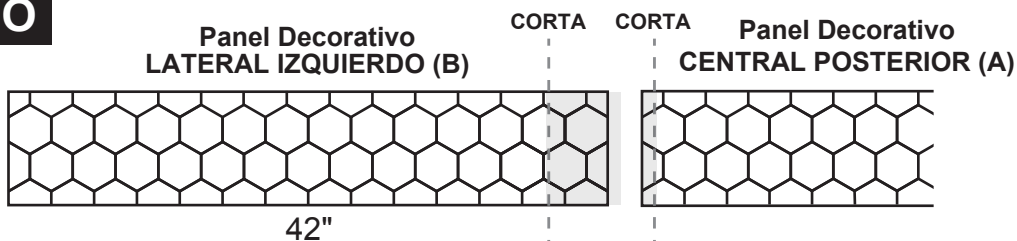


**INSTALACIÓN PARA EL MODELO#  
RFL603696-SMH (DECORATIVO CON PATRÓN HEXAGONAL)**

**PASO 12.2: CÓMO INSTALAR EL PANEL DECORATIVO POSTERIOR (A) CON PATRÓN HEXAGONAL**

**NOTA:** Tu kit incluye: (1) panel decorativo posterior con patrón hexagonal de 60" (152.4 cm) y (2) paneles laterales con patrón hexagonal de 42" (106.7 cm), con longitud adicional del panel para permitir ajustes de la moldura. El panel decorativo con patrón hexagonal (A), el Panel (B) y el Panel (C) se instalan en un patrón horizontal continuo.

**12.2 EJEMPLO**



- 12.2a. Ubica el **Panel (B)** decorativo lateral izquierdo y colócalo sobre una superficie plana.
- 12.2b. En base a las medidas del paso 1 (Cómo Medir), recorta cualquier ajuste necesario del borde **Derecho/Interior** del **Panel (B)**. La cantidad recortada reflejará el patrón hexagonal en el Panel Central Posterior (A). **(No cortes la función de entrelazado, ajusta sólo el ancho).**

- 12.2c. Repite los pasos 4c. - 4e.



**PASO 13: INSTALA EL PANEL DE PARED LATERAL IZQUIERDO (8)**

- 13a. Ubica el **Panel (8)** de pared lateral y colócalo sobre una superficie plana.
- 13b. En base a las medidas del paso 1 (Cómo Medir), haz los cortes de plomería necesarios según las instrucciones del paso 2 (Cómo Cortar).

**Nota:** Si no estás usando el ancho total de los paneles laterales izquierdos, corta el extremo derecho/interior de los paneles. Si tu instalación es menor que la altura total de 96" (243.8 cm), puedes cortar la parte superior del panel (4) según sea necesario.

- 13c. Repite los pasos 4c. - 4e

**PASO 14: CÓMO INSTALAR EL PANEL DE PARED INFERIOR LATERAL DERECHO (9)**

**Nota:** Debes instalar los paneles de pared laterales derechos en el orden y orientación correctos para asegurar un producto con acabado hermético.

Hay una etiqueta en la parte posterior de cada panel que indica el número de panel y una flecha que apunta al borde SUPERIOR de ese panel. Los paneles 9, 10, 11, C y 12 constituyen la sección de pared lateral derecha del espacio de tu pared para ducha.

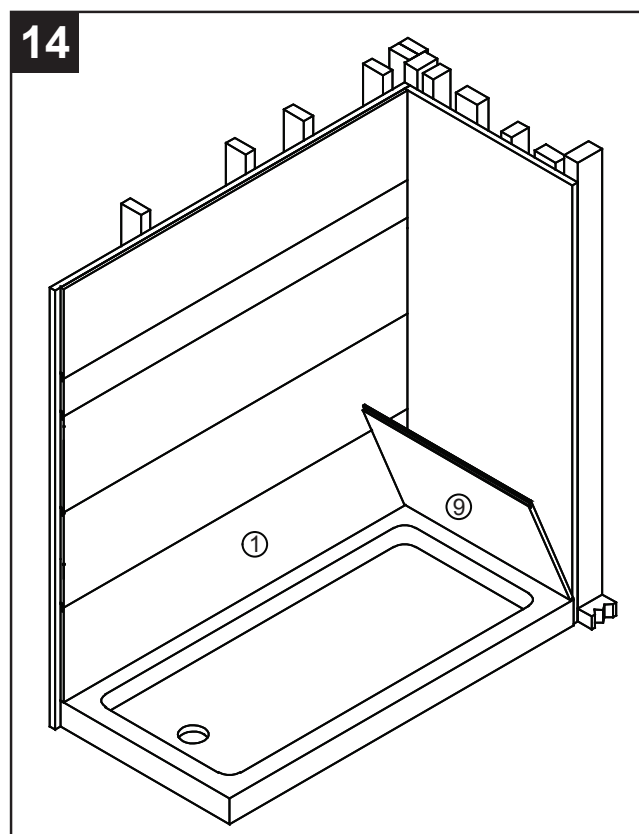
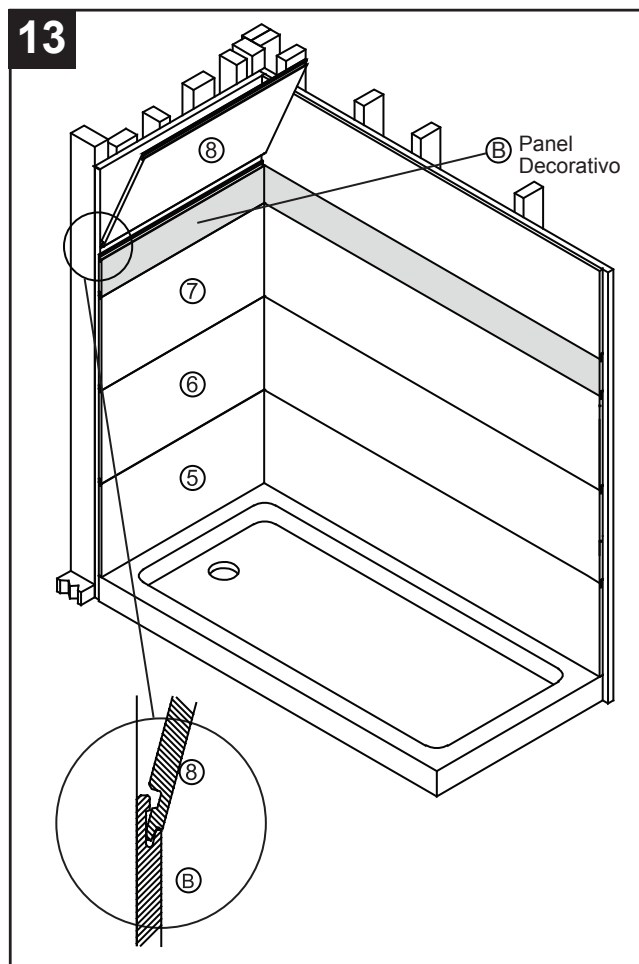
- 14a. Ubica el **Panel (9)** de pared lateral derecho y colócalo sobre una superficie plana.

**NOTA: (Ver la ilustración del PASO 4a)**

Fíjate en la etiqueta de la parte posterior del panel, que indica el borde SUPERIOR. En la parte posterior del panel (9), dibuja con cuidado una línea a lo largo del borde de la lengüeta en la PARTE INFERIOR del panel. Al dibujar esta línea deben tenerse en cuenta los ajustes por desalineación o desfase de las piezas. Corta para quitar el borde de la lengüeta.

- 14b. En base a las medidas del paso 1 (Cómo Medir), recorta el extremo izquierdo/interior de los paneles. **El patrón de lechada horizontal del panel (5) debe alinearse horizontalmente con el panel (1). Coloca una cuña debajo del panel (5) según sea necesario.**

- 14c. Repite los pasos 4c. - 4e.

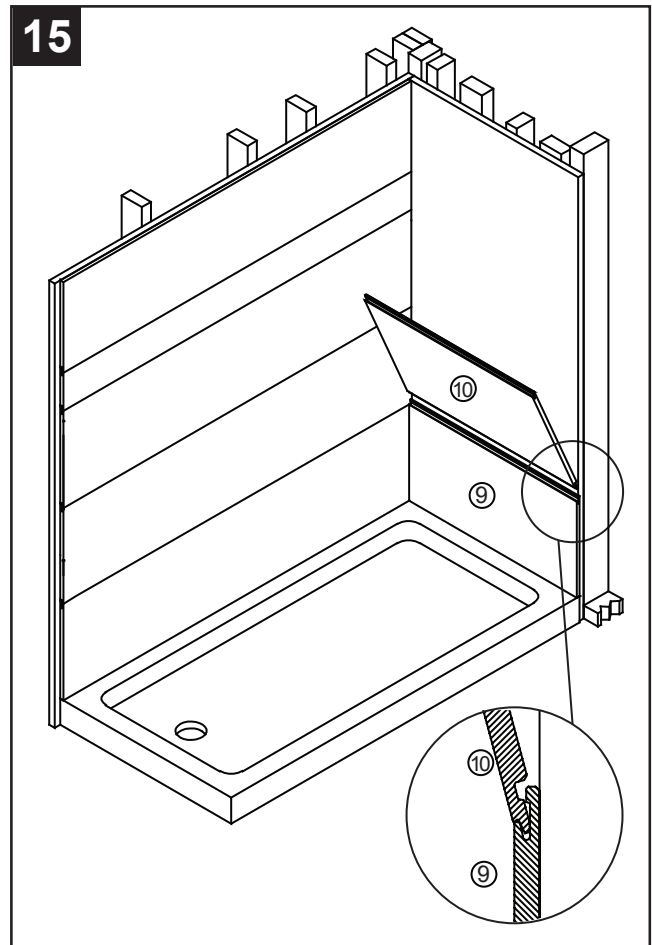


**PASO 15: INSTALA EL PANEL DE PARED LATERAL DERECHO (10)**

- 15a. Ubica el **Panel (10)** lateral derecho y colócalo sobre una superficie plana.
- 15b. En base a las medidas del paso 1 (Cómo Medir), haz los cortes de plomería necesarios según las instrucciones del paso 2 (Cómo Cortar).

**Nota:** Si no estás usando el ancho total de los paneles laterales izquierdos, corta el extremo izquierdo/interior de los paneles, ya que en las esquinas posteriores se aplicará pasta selladora más adelante en la instalación y cualquier defecto en el corte puede ocultarse en el proceso. **(No cortes la función de entrelazado, ajusta sólo el ancho).**

- 15c. Repite los pasos 4c. - 4e.

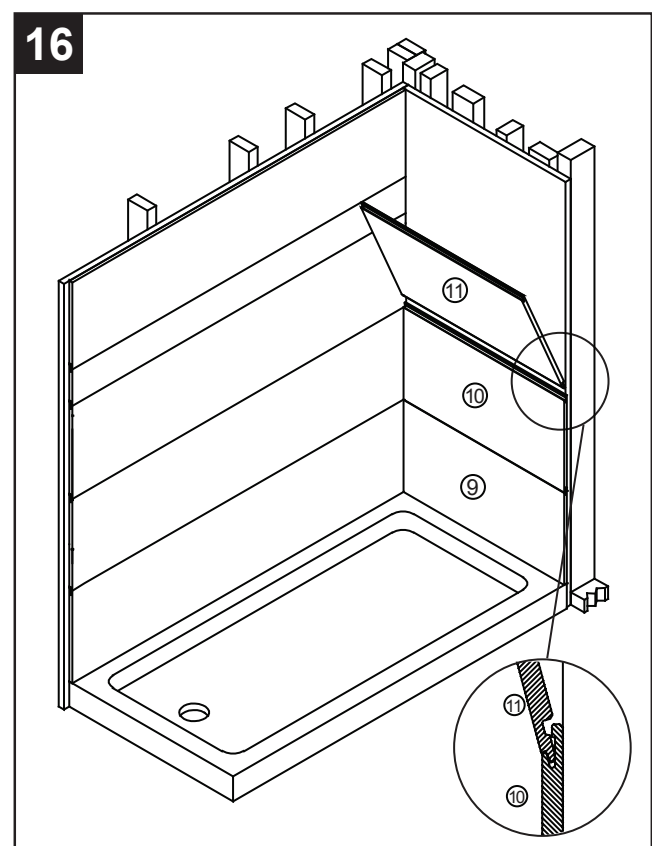


**PASO 16: CÓMO INSTALAR EL PANEL DE PARED LATERAL DERECHO (11)**

- 16a. Localiza el **Panel (11)** lateral derecho y colócalo sobre una superficie plana.
- 16b. En base a las medidas del paso 1 (Cómo Medir), haz los cortes de plomería necesarios según las instrucciones del paso 2 (Cómo Cortar).

**Nota:** Si no estás usando el ancho total de los paneles laterales derechos, corta el extremo izquierdo/interior de los paneles, ya que en las esquinas posteriores se aplicará pasta selladora más adelante en la instalación y cualquier defecto en el corte puede ocultarse en el proceso. **(No cortes la función de entrelazado, ajusta sólo el ancho).**

- 11c. Repite los pasos 4c. - 4e.





**INSTALACIÓN PARA EL MODELO#  
RFL603696-SSS / RFL603696-CSS**

**PASO 17.1: CÓMO INSTALAR EL PANEL DECORATIVO LATERAL DERECHO (C) SUBWAY**

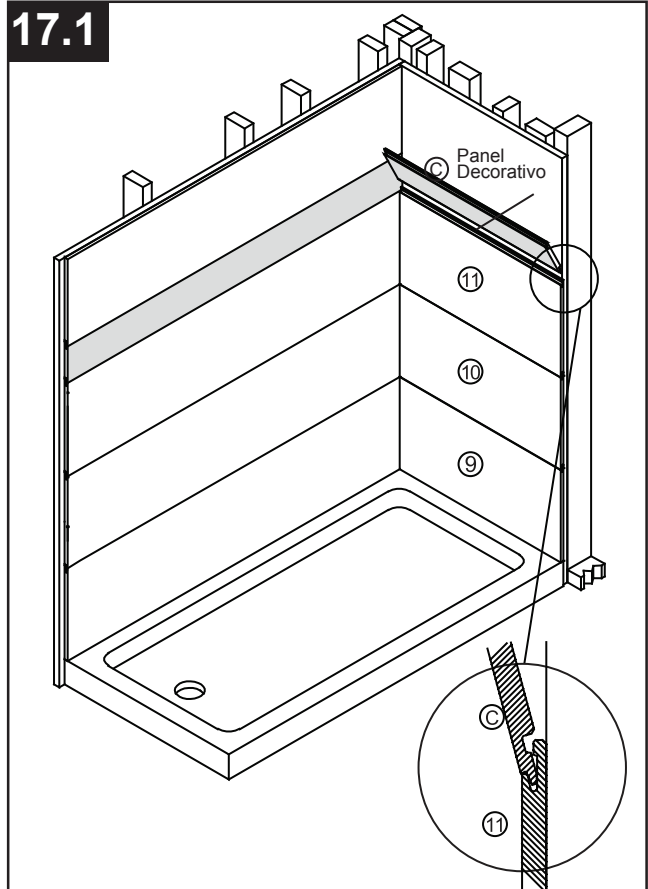
17.1a. Ubica el **Panel (C)** decorativo lateral derecho y colócalo sobre una superficie plana.

17.1b. En base a las medidas del paso 1 (Cómo Medir), haz los cortes de plomería necesarios según las instrucciones del paso 2 (Cómo Cortar).

**Nota:** Si no estás usando el ancho total de los paneles laterales izquierdos, corta el extremo izquierdo/interior de los paneles, ya que en las esquinas posteriores se aplicará pasta selladora más adelante en la instalación y cualquier defecto en el corte puede ocultarse en el proceso.

**(No cortes la función de entrelazado, ajusta sólo el ancho).**

17.1c. Repite los pasos 4c. - 4e.

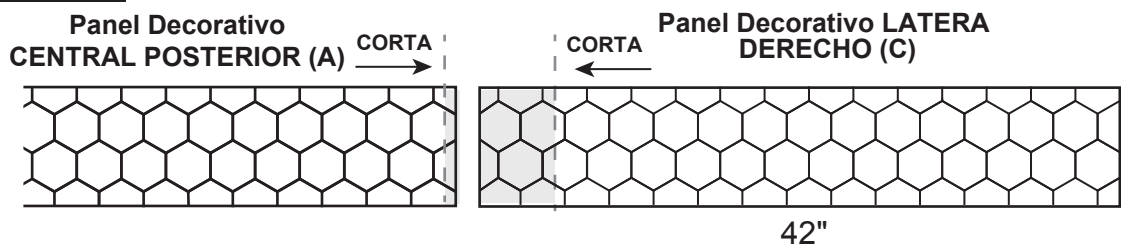


**INSTALACIÓN PARA EL MODELO#  
RFL603696-SMH (DECORATIVO CON PATRÓN HEXAGONAL)**

**PASO 17.2: CÓMO INSTALAR EL PANEL DECORATIVO LATERAL DERECHO (C) CON PATRÓN HEXAGONAL**

**NOTA:** Tu kit incluye: (1) panel decorativo posterior con patrón hexagonal de 60" (152.4 cm) y (2) paneles laterales con patrón hexagonal de 42" (106.7 cm), con longitud adicional del panel para permitir ajustes de la moldura. El panel decorativo con patrón hexagonal (A), el Panel (B) y el Panel (C) se instalan en un patrón horizontal continuo.

**17.2 EJEMPLO**



17.2a. Ubica el **Panel (C)** decorativo lateral derecho y colócalo sobre una superficie plana.

17.2b. En base a las medidas del paso 1 (Cómo Medir), recorta cualquier ajuste necesario del borde **izquierdo/interior del Panel (C)**. La cantidad recortada reflejará el patrón hexagonal en el panel central posterior (A). **(No cortes la función de entrelazado, ajusta sólo el ancho).**

17.2c. Repite los pasos 4c. - 4e.

**PASO 18: CÓMO INSTALAR EL PANEL DE PARED LATERAL DERECHO #12**

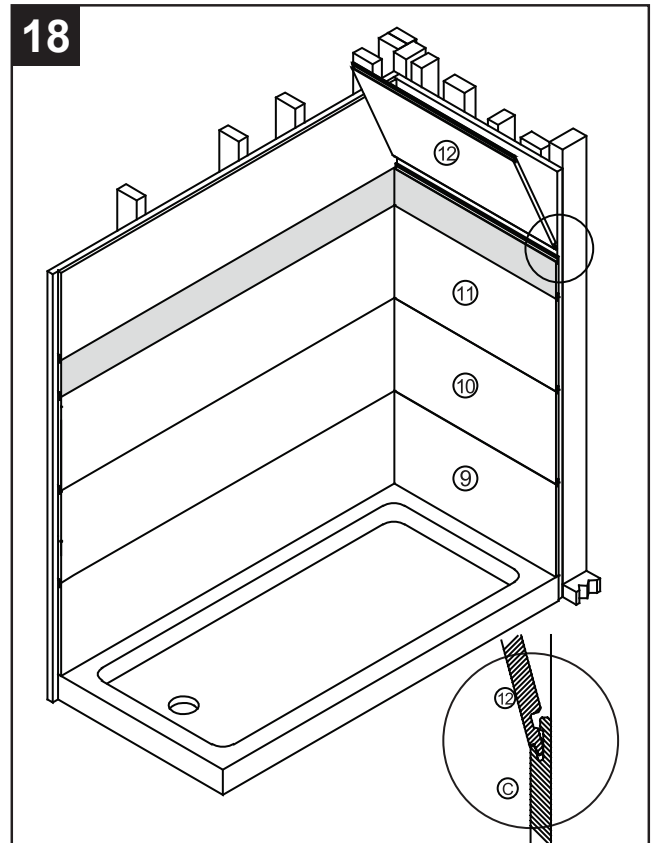
18a. Localiza el **Panel (12)** de pared lateral y colócalo sobre una superficie plana.

18b. En base a las medidas del paso 1 (Cómo Medir), haz los cortes de plomería necesarios según las instrucciones del paso 2 (Cómo Cortar).

**Nota:** Si no estás usando el ancho total de los paneles laterales derechos, corta el extremo izquierdo/interior de los paneles.

Si tu instalación es menor que la altura total de 96" (243.8 cm), puedes cortar la parte superior del panel (4) según sea necesario.

18c. Repite los pasos 4c. - 4e.



**PASO 19: CÓMO APLICAR PASTA SELLADORA EN ESQUINAS Y BORDES**

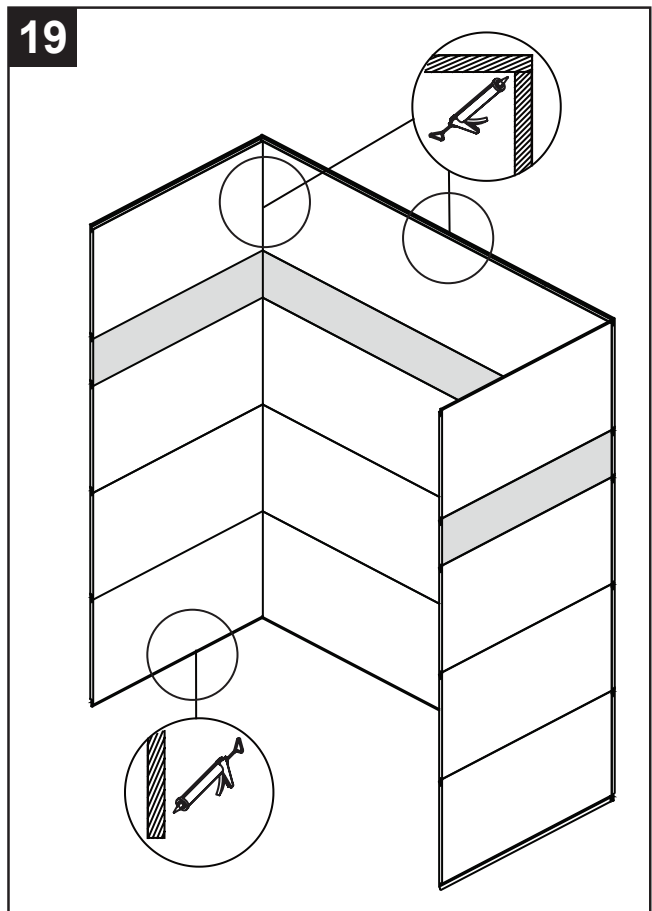
19a. Aplica adecuadamente pasta selladora alrededor del sistema de pared para ducha a fin de garantizar un acabado y ajuste seguros.

Esto incluye, pero no se limita a:

- Esquinas interiores donde se unen las paredes para ducha
- Esquinas donde las paredes se unen con la base
- Borde exterior de los paneles de pared laterales
- (Opcional) No se requiere aplicar pasta selladora a lo largo del borde superior de todo el espacio, aunque puede contribuir a darle un aspecto de acabado.

**! ADVERTENCIA**

Mantén toda el área seca durante un mínimo de 24 horas para permitir que la pasta selladora y el adhesivo para construcción curen apropiadamente.



## **CUIDADO Y MANTENIMIENTO**

---

- La limpieza y el mantenimiento de los paneles de pared para ducha deben realizarse de forma periódica.
- El momento ideal para limpiarlo es justo después de una ducha. Los residuos de jabón, cal y otras suciedades pesadas podrían contener materiales invasivos. La falta de limpieza y mantenimiento podría dañar la superficie de los paneles de pared y el centro. La falta de limpieza de las paredes para ducha puede provocar la decoloración del panel de pared.
- Las paredes para ducha deben limpiarse regularmente con un limpiador doméstico multiusos no abrasivo o un limpia ventanas. Prueba siempre la solución limpiadora en una zona poco visible antes de aplicarla a toda la superficie.
- Evita utilizar limpiadores abrasivos, polvos pulidores, arena, ácido, acetona, alcalinos y amoníaco.
- Para prolongar la vida útil de los paneles de pared, se recomienda una limpieza diaria con toallitas húmedas y un detergente neutro diluido adecuado (PH 7-8). Limpia siempre con un paño húmedo, ya que la limpieza en seco podría rayar la superficie.
- Evita altas concentraciones de solventes, soluciones fuertemente alcalinas y fuertemente ácidas durante el proceso de limpieza.
- Se puede aplicar una fina capa de cera a la superficie del panel de pared después del proceso de limpieza.
- El uso inadecuado de herramientas y objetos afilados creará daños permanentes por arañazos en la superficie.

## GARANTÍA LIMITADA

FGI Industries, Ltd., garantiza al comprador original que este kit de sistema de pared para ducha JETCOAT® estará libre de defectos de fabricación que afecten su desempeño como accesorio para baño o ducha, bajo las siguientes condiciones y sujeto a las limitaciones contenidas en el "Soluciones" y "Limitaciones de la garantía".

### Para registrarse, visite:

USA: [www.craftandmain.com](http://www.craftandmain.com)

CANADA: [www.craftandmain.ca](http://www.craftandmain.ca)

Esta Garantía Limitada es válida por 10 años, a partir de la fecha de compra original, si el elemento fijo se usa en una edificación residencial ocupada por el propietario y sin fines comerciales; o por 2 años, a partir de la fecha de compra original, si se usa en otro tipo de edificación para alquiler o de uso comercial o empresarial.

- Esta Garantía Limitada quedará anulada si el elemento fijo no se instala según las instrucciones de instalación suministradas por JETCOAT®, o se incumplen las regulaciones y códigos de construcción locales, o no se siguen las instrucciones de mantenimiento y limpieza suministradas por JETCOAT®.
- Esta Garantía Limitada también quedará anulada si el elemento fijo se mueve de su lugar de instalación inicial o sufre algún accidente, abuso o uso inadecuado.
- Esta Garantía Limitada excluye el desgaste por uso normal y no cubre daños que puedan repararse siguiendo las Instrucciones para Eliminación de Rayones.
- Esta Garantía Limitada se anulará a menos que cualquier defecto o disconformidad se detecte antes de expirar el plazo de garantía y se notifique a FGI Industries, Ltd. por escrito acompañado de la prueba de compra original, dentro de los 30 días siguientes a la detección.

### SOLUCIONES:

Las soluciones para el comprador original bajo esta Garantía Limitada están circunscritas a la reparación, reemplazo o reembolso del precio de compra del elemento fijo, a discreción de FGI Industries, Ltd., de cualquier pieza de dicho elemento que presente algún defecto o no cumpla con las especificaciones del fabricante.

En ningún caso FGI Industries, Ltd. será responsable por pérdida de ganancias ni de uso, ni por daños especiales, indirectos o secundarios, incluyendo, pero sin limitarse a, daños o pérdida de uso de la edificación o su contenido, ni aquellos que se deriven de cualquier defecto del elemento fijo; FGI Industries, Ltd. tampoco será responsable por ningún monto que exceda el precio de compra original del elemento fijo.

FGI Industries, Ltd. se reserva el derecho a exigir la devolución, con los gastos cubiertos por el comprador, del elemento fijo dañado para reparación o cambio antes de suministrar cualquier servicio bajo esta Garantía Limitada. Si FGI Industries, Ltd. elige reemplazar el elemento fijo, su obligación está limitada a suministrar la unidad o pieza de repuesto de tamaño y estilo similar, con exclusión de los costos por retiro, instalación o transportación, que serán cubiertos por el comprador.

Las piezas de repuesto suministradas bajo esta Garantía Limitada están garantizadas por el resto del período de garantía aplicable al elemento fijo, como si tales piezas fueran componentes originales de aquel.

### LIMITACIONES DE LA GARANTÍA:

**NO HAY OTRA GARANTÍA QUE SE EXTIENDA MÁS ALLÁ DE LA DESCRIPCIÓN DE LA PRESENTE. SE EXCLUYEN EXPRESAMENTE TODAS GARANTÍAS IMPLÍCITAS, INCLUYENDO AQUELLAS DE COMERCIALIZACIÓN O ADECUACIÓN DEL PRODUCTO PARA DETERMINADO PROPÓSITO EN PARTICULAR. FGI INDUSTRIES, LTD. NO ASUMIRÁ NINGUNA RESPONSABILIDAD POR DAÑOS ESPECIALES, DIRECTOS O INDIRECTOS. Algunos estados o provincias no permiten limitaciones de daños directos o indirectos, así que las limitaciones o exclusiones anteriores pudieran no aplicarse a su caso. En tales estados o provincias, la responsabilidad de FGI Industries, Ltd. se limitará al alcance permitido por las leyes del estado o de la provincia. TODAS LAS GARANTÍAS IMPLÍCITAS QUE SE DERIVEN DE LAS LEYES DEL ESTADO O DE LA PROVINCIA, INCLUSO AQUELLAS DE COMERCIALIZACIÓN O IDONEIDAD PARA DETERMINADO PROPÓSITO EN PARTICULAR, ESTÁN LIMITADAS EN SU DURACIÓN Y ALCANCE DE COBERTURA A LOS TÉRMINOS DE ESTA GARANTÍA LIMITADA, A MENOS QUE LA LEY PERMITA UN PLAZO MÁS CORTO.**