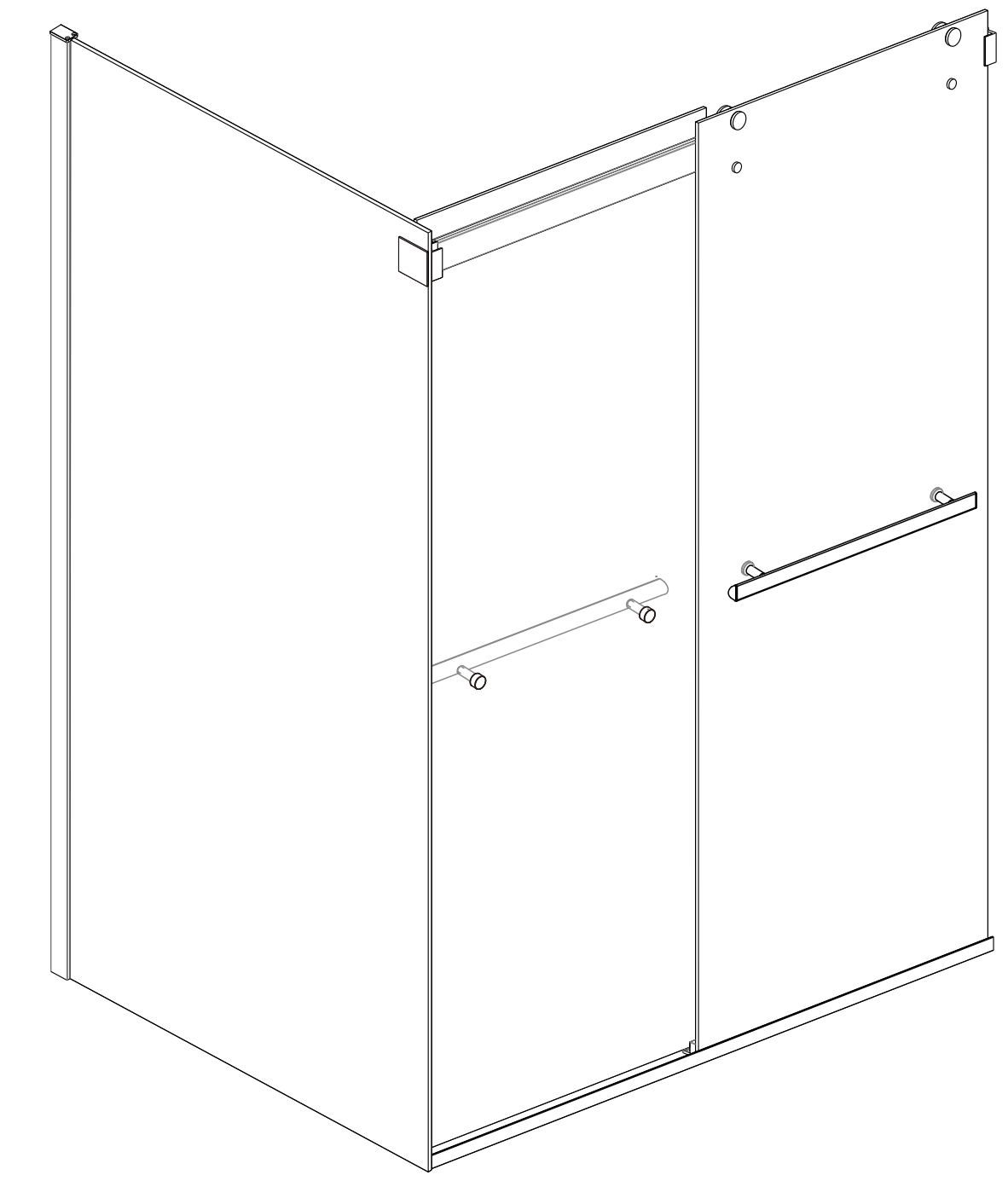


INSTALLATION SPECIFICATION

Item No.	301056+36P-BG
Combination	301056-BP-BG + 301036-SP-BG
Description	By-pass&Side Panel
Overall Dimensions	36"x56"x76"(with tray)
Installation Size Range	35"-35 4/5" & 52 7/10"-56 6/10"(shower door only)
Profile Color	Brushed Gold
Glass Thickness	8/25"
Glass Color	Transparent&Easy clean
Gross Weight	84 LBS & 138 LBS
Certifications	ANSI Z97.1-2015



Spezia
By-pass&Side Panel

All measurements are approximate. Measurements may vary +/- 1/25".

