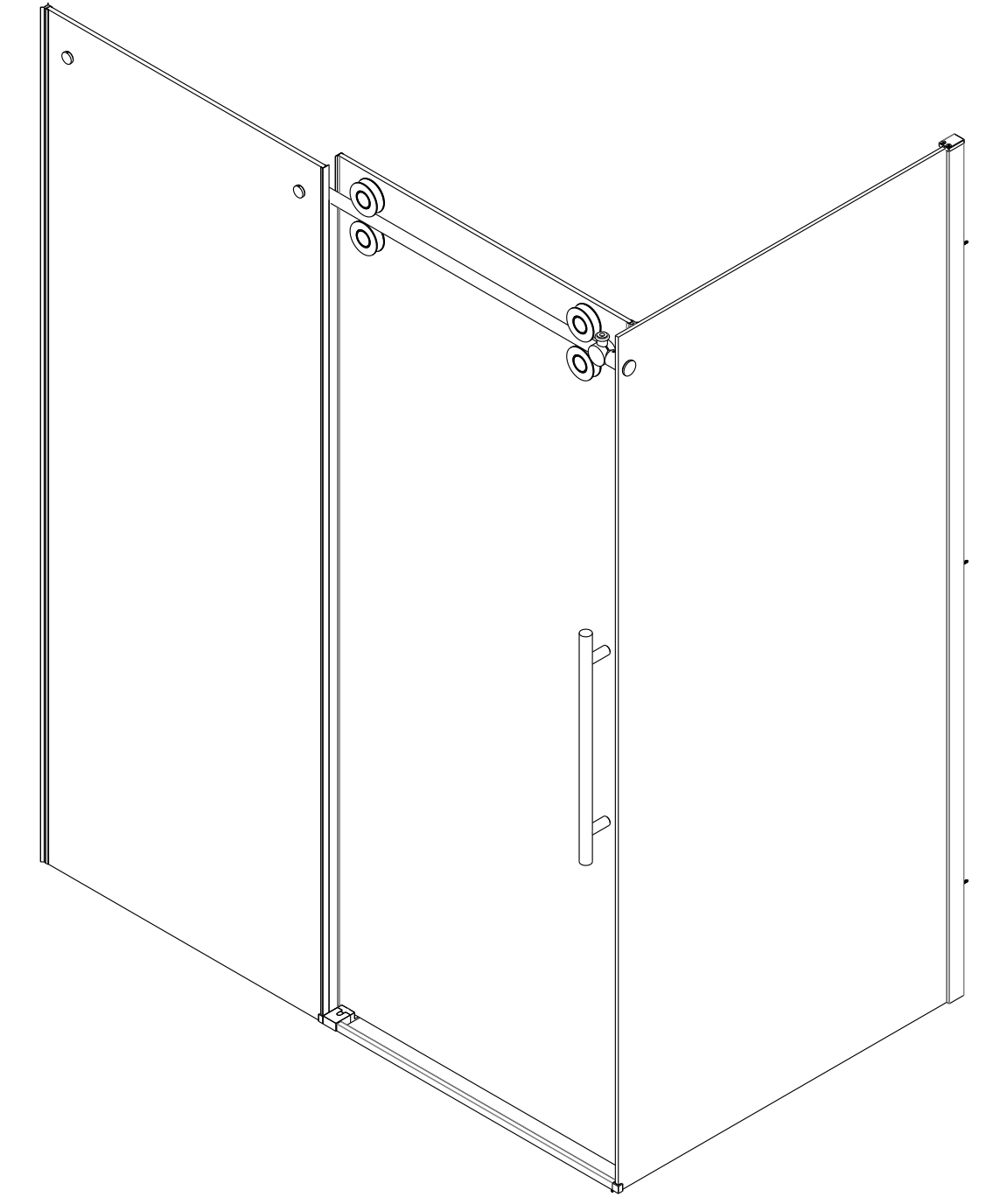


INSTALLATION SPECIFICATION

Item No.	321068+36P-MB
Combination	321068-SS-MB + 321036-SP-MB
Description	Single sliding&Side Panel
Overall Dimensions	36"x68"x78"
Installation Size Range	35"-35 4/5" & 64 2/5"-68 3/10"
Profile Color	Matte Black
Glass Thickness	2/5"&8/25"
Glass Color	Grey&Easy clean
Gross Weight	207 LBS & 86 LBS
Certifications	ANSI Z97.1-2015



Echarri
Single sliding&Side Panel

All measurements are approximate. Measurements may vary +/- 1/25".

