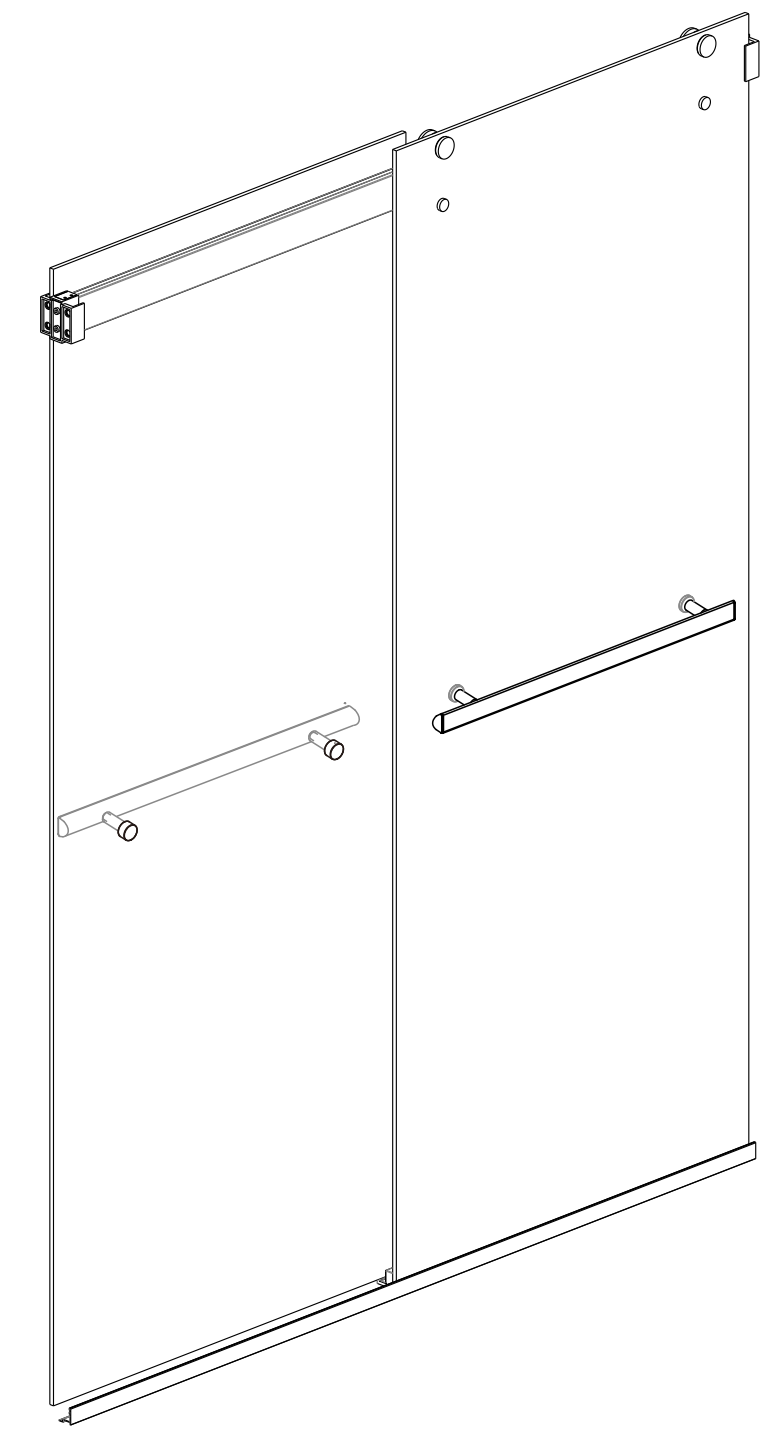


INSTALLATION SPECIFICATION

| | |
|-------------------------|------------------------|
| Item No. | 301048-BP-BG |
| Description | By-pass |
| Overall Dimensions | 48"x76" |
| Installation Size Range | 44"-48" |
| Profile Color | Brushed Gold |
| Glass Thickness | 8/25" |
| Glass Color | Transparent&Easy clean |
| Gross Weight | 119 LBS |
| Certifications | ANSI Z97.1-2015 |

All measurements are approximate. Measurements may vary +/- 1/25".



**Spezia
By-pass**

