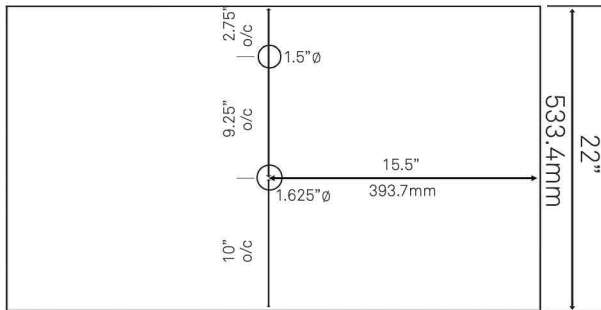




## Bath Vanity with Carrara Marble Counter, Backsplash & Handles

Requested By: \_\_\_\_\_

Specific Features: \_\_\_\_\_



### STANDARD SPECIFICATIONS:

- Carrara marble counter
- Includes: handles, countertop, backsplash and vanity
- Vanity constructed of solid wood and veneer
- Thick 3/4-inch side panels
- Freestanding installation
- Back wall cut-out: 8" x 11"
- Vanity comes fully assembled; countertop, backsplash & handles need to be assembled
- Tip-resistant strap included

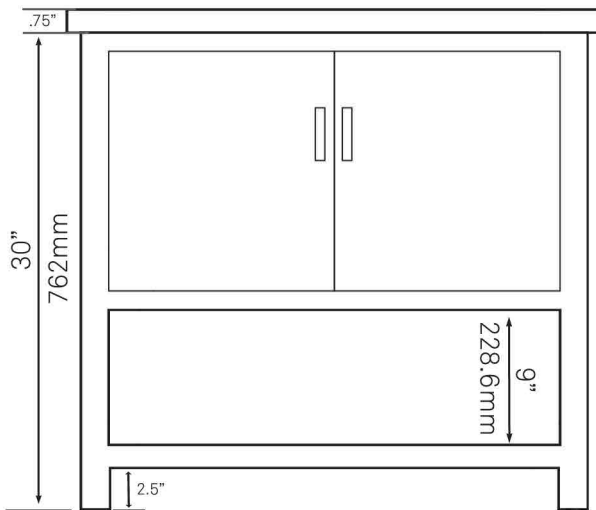
### WARRANTY:

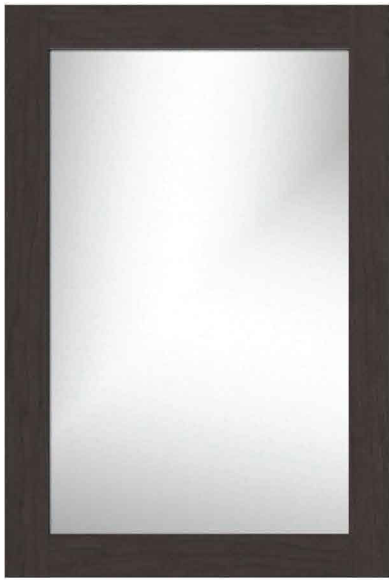
Limited lifetime warranty

### COORDINATING ACCESSORIES:

- See other options for different natural stone countertops & backsplash

### NOTES





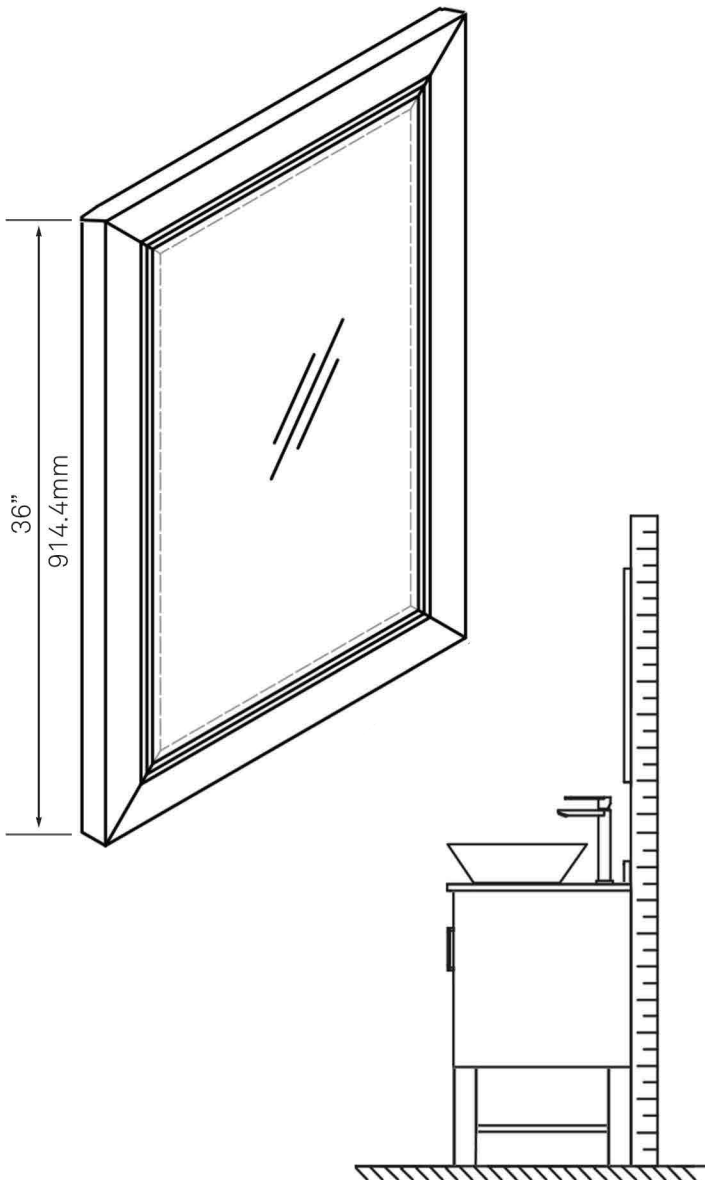
## Rectangular Mirror, Dark Wood Café Mocha Frame

Requested By:

---

Specific Features:

---



### STANDARD SPECIFICATIONS:

- Ready to hang right out of the box
- Can be hung vertically or horizontally
- Rugged 2.5-inch solid wood frame

### WARRANTY:

Limited lifetime warranty

### COORDINATING ACCESSORIES:

- See options for different vanities, countertops, sinks, faucets, drain finishes and hardware.

### NOTES