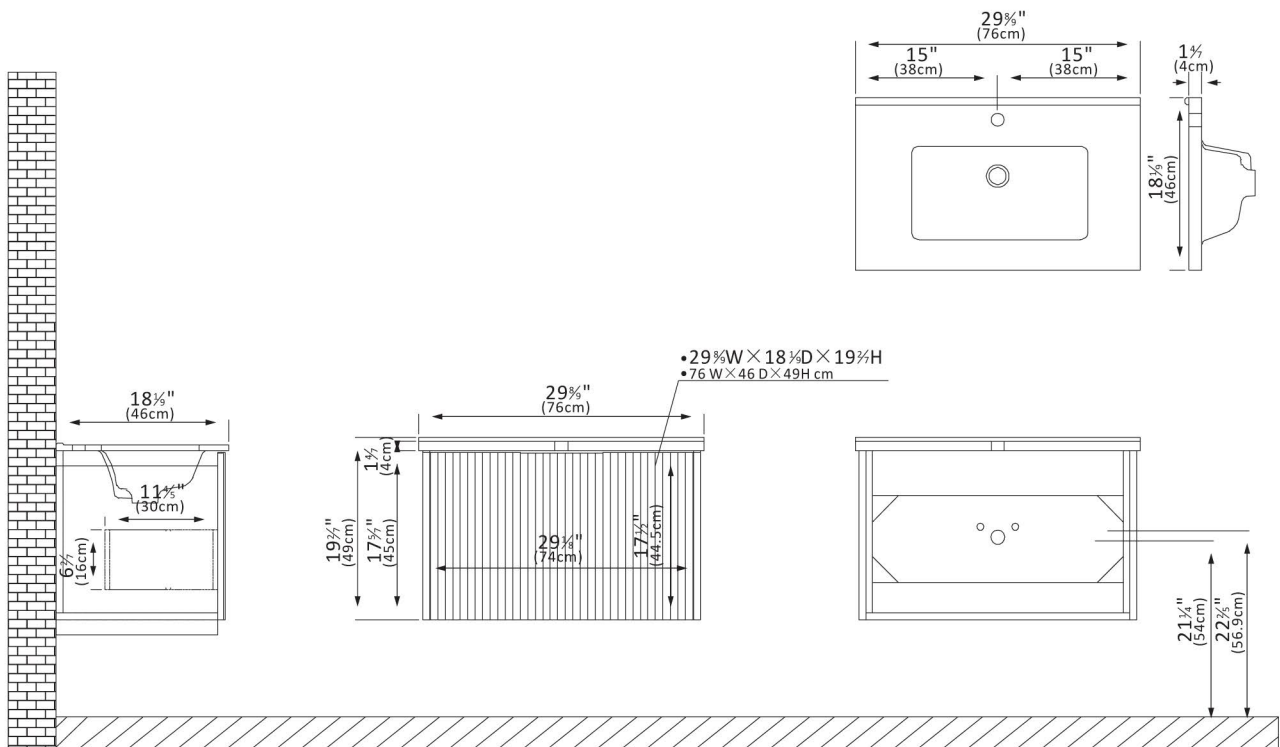


Manila Vanity Collection



Features

- **Durable Materials:** Crafted from natural, imported solid wood for superior durability and long-lasting beauty.
- **Stunning Finish:** Available in a beautiful Washed Ash Grey finish to complement your décor, using environmentally friendly water-based paint products.
- **Ample Storage Space:** One spacious, soft-closing dovetail drawer offers plenty of room for all your toiletries.
- **High-Quality Hardware:** The sturdy Matte Black cabinet handles provide a cool touch of style and contrast against the textured wood.
- **Nano-Coated Basin:** The 1.6"-thick, bright white drop-in ceramic basin with overflow lends a fresh, contemporary look. With a high-gloss, Nano anti-fouling coating, the UPC-certified ceramic basin is scratch-resistant, wear-resistant, and easy to clean.
- **Faucet Type:** Countertop has a pre-drilled, standard 1-3/8" faucet hole.
- **Accessories:** Does not include faucet, drain assembly, or P-trap.
- **Full assembled required:** Floating bathroom cabinet (no back panel) requires complete assembly. Designed for easy, no-hassle plumbing and faucet installation.
- **Full Warranty:** 1-Year Manufacturer Warranty—purchase with 100% peace of mind.
- **Country of Origin:** Vietnam