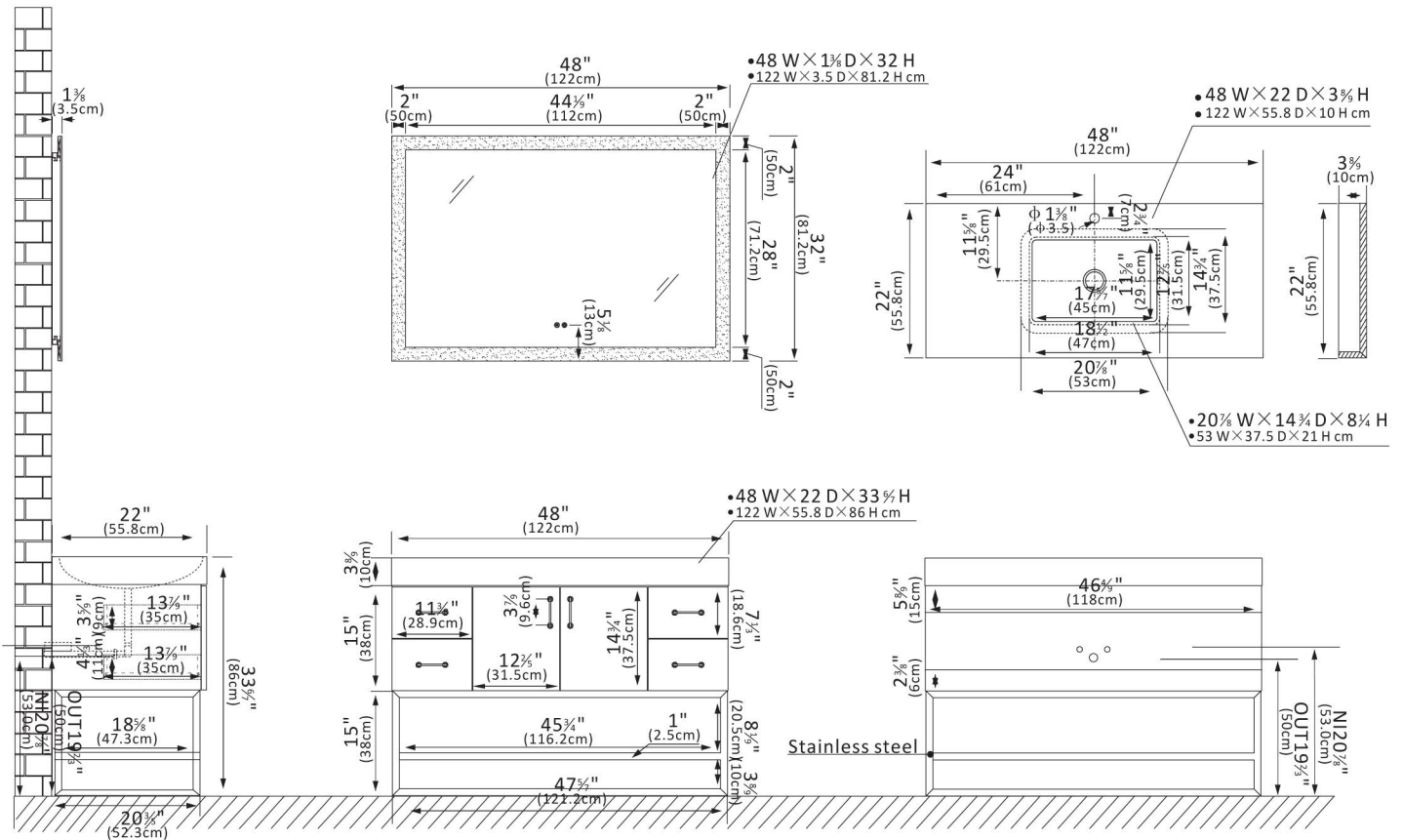


Alistair Vanity Collection



Features

- **Durable Materials:** Plywood and Crafted of PVC board which Waterproof, moisture-proof and ash layer for superior stability and durability.
- **Stunning Finish:** Available in North American Black Oak finish to complement your décor.
- **Ample Storage Space:** Two soft-closing doors and four sturdy, soft-closing drawers offer ample space for all your toiletries, which exclude the back panel.
- **Modern Top:** Single, 3.9"-thick, White Grain stone countertop lends a fresh and contemporary look. With a high-gloss, anti-fouling coating, the countertop is scratch-resistant, wear-resistant, and easy to clean.
- **Nano-Coated Basin:** Bright white Nano anti-fouling coating ceramic undermount sink with overflow blends seamlessly with the stone vanity top.
- **Practical Functionality:** Built-in UL-listed power and USB outlets offer a practical way to power beauty and grooming appliances.
- **High-Quality Hardware:** The Brushed Gold hardware and stainless steel metal bracket support base, as well as the open fixed shelf finish, create a sense of fashion and contrast.
- **Matching Mirrors:** Single, rectangular touch-sensor energy-efficient LED mirror coordinates perfectly with vanity.
- **Faucet Type:** Countertop has a pre-drilled, standard 1-3/8" faucet hole.
- **Accessories:** Does not include faucet, drain assembly or P-trap, backsplash and Storage Cabinet. Comes fully assembled and ready to install in your bathroom.
- **No Installation Required:** Freestanding bathroom vanity comes fully assembled for your convenience. Designed for easy, no-hassle plumbing and faucet installation.
- **Full Warranty:** 1-Year Manufacturer Warranty—purchase with 100% peace of mind.
- **Country of Origin:** China