

# USER GUIDE

## MEDICINE CABINET - SINGLE DOOR WITH LED LIGHTED MIRROR

Model: 69002424



# IMPORTANT SAFETY INFORMATION

Please read through this installation instruction so you will know how to install and operate your model properly. Keep this document in a safe place for future reference after use.







## **WARNING**

This product must be installed in accordance with the installation instruction by qualified technician. Failure to follow instruction could result in death or serious bodily injury.

## **CAUTION**

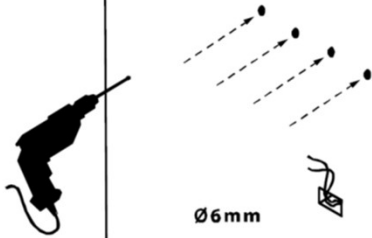
This product must be serviced by qualified personnel. ALWAYS unplug the power cord or turn off the circuit breaker before service.

# PARTS LIST

Item	Description	Image	Quantity
1	Tempered Glass Shelf		1
2	Shelf Pin Support		4
3	Shelf Pin Hole Plug		12
4	Wood Screw		5
5	Drywall Anchor		5
6	L-bracket		1

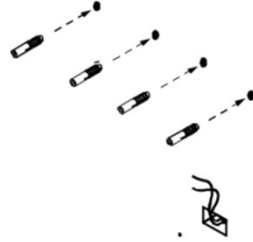
# INSTALLATION

1



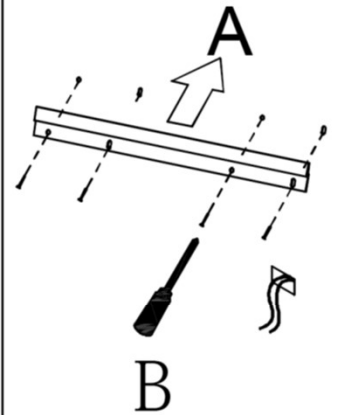
For drywall installation, mark the hole locations and drill  $\Phi$  6mm holes for the drywall anchors. Install a junction box behind the mirror for power connections.

2



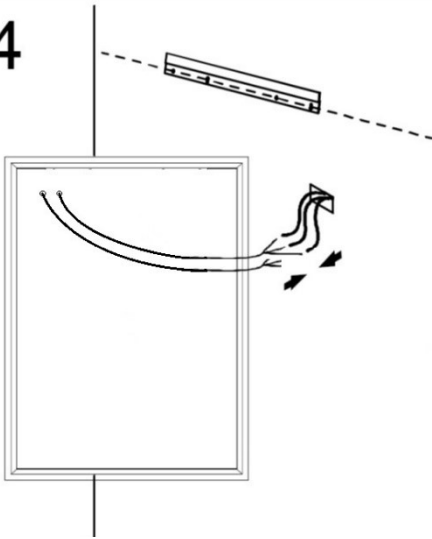
Insert provided drywall anchors.

3



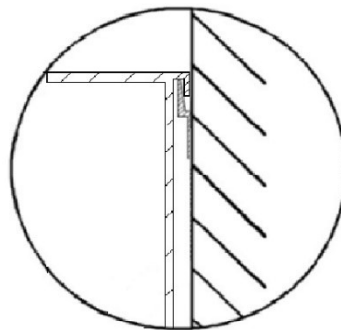
Install the mounting bracket.

4



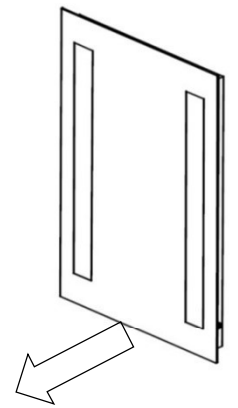
Hardwire both cables to 110V AC if no wall switch is used. When used with a wall switch, connect the white cable to the switch and hardwire the black cable to 110V AC.

5



Hang the medicine cabinet to the bracket and make sure the bracket fits inside the groove of the cabinet top frame.

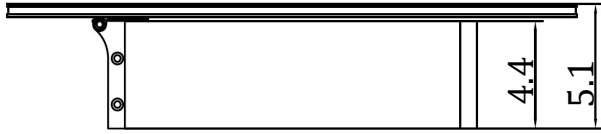
6



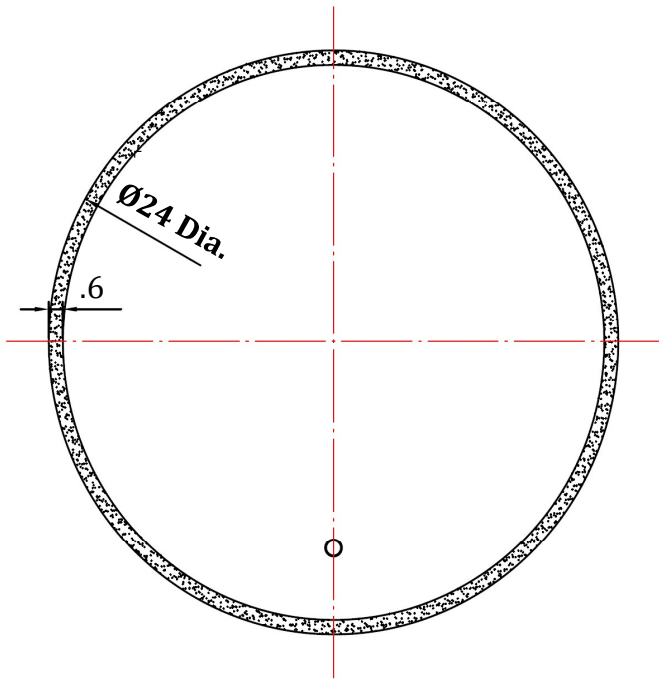
Pull the cabinet slightly away from the wall while holding it to make sure it is hung securely onto the bracket.

**7. Attach the L-bracket to the bottom of the cabinet and secure the bracket to the wall.**

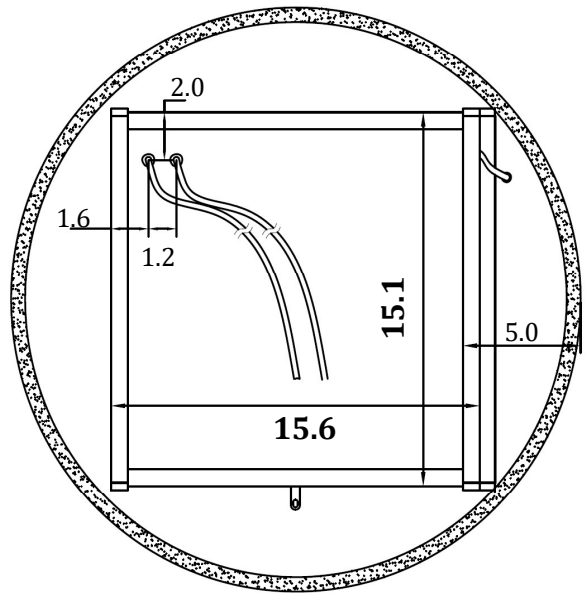
# INSTALLATION DIMENSIONS



(Top View)

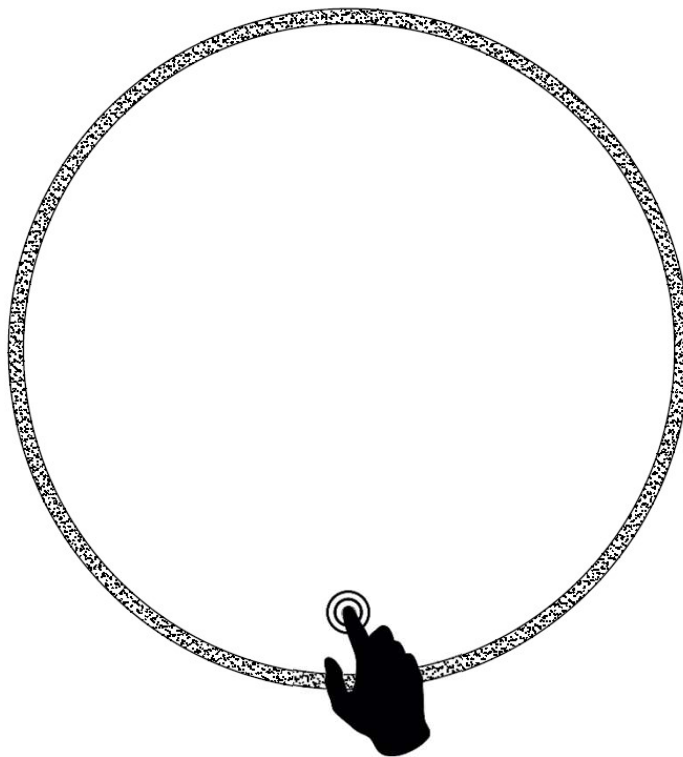


(Front View)



(Back View)

Model #	Cabinet Exterior Dimensions	Cabinet Interior Dimensions	Cabinet Door Dimensions
	W x H x D	W x H x D	Diameter
69002424	15.6" x 15.1" x 4.4"	14.1" x 14" x 4"	24"



### **Touch switch**

A small circle around the touch switch will light up when the main light is off. Tap on the switch to turn on/off the main light. The small circle will turn off when the main light is on.

While the main light is on, press and hold the switch for about 3 seconds to change the color temperature. Tap the switch again to turn off the light.

The switch has memory function. It will go back to the previous color temperature setting the next time you turn on the light. If you want to change the color temperature, simply press and hold the switch.

## CARE AND MAINTENANCE

Clean the mirror with a soft, damp cloth and dry thoroughly with a soft towel. Do NOT allow the edges of the mirror to get or remain wet over a period of time. Please do NOT use glass cleaner that contains ammonia or vinegar. Never spray any cleaner directly onto a mirror. Instead apply the cleaner to a soft cloth and then wipe the mirror. Make sure no commercial cleaner comes in contact with the edge or backing.

## WARRANTY

### 5 years Limited Warranty

**Miseno** LED mirrors (Illumirror®) have been manufactured under the highest standards of quality and workmanship. We warrant to the original purchaser that our LED mirrors are free from any defects in material and workmanship by normal use for 5 years from date of purchase. A replacement for any defective part will be supplied FREE OF CHARGE for installation by you.

This warranty is valid to the original purchaser only and does not cover product damage due to installation error, product abuse, product misuse, etc. whether or not performed by professionals. **Miseno** will not be responsible for labor charges and/or damage incurred in installation, repair or replacement nor for any incidental or consequential damages.

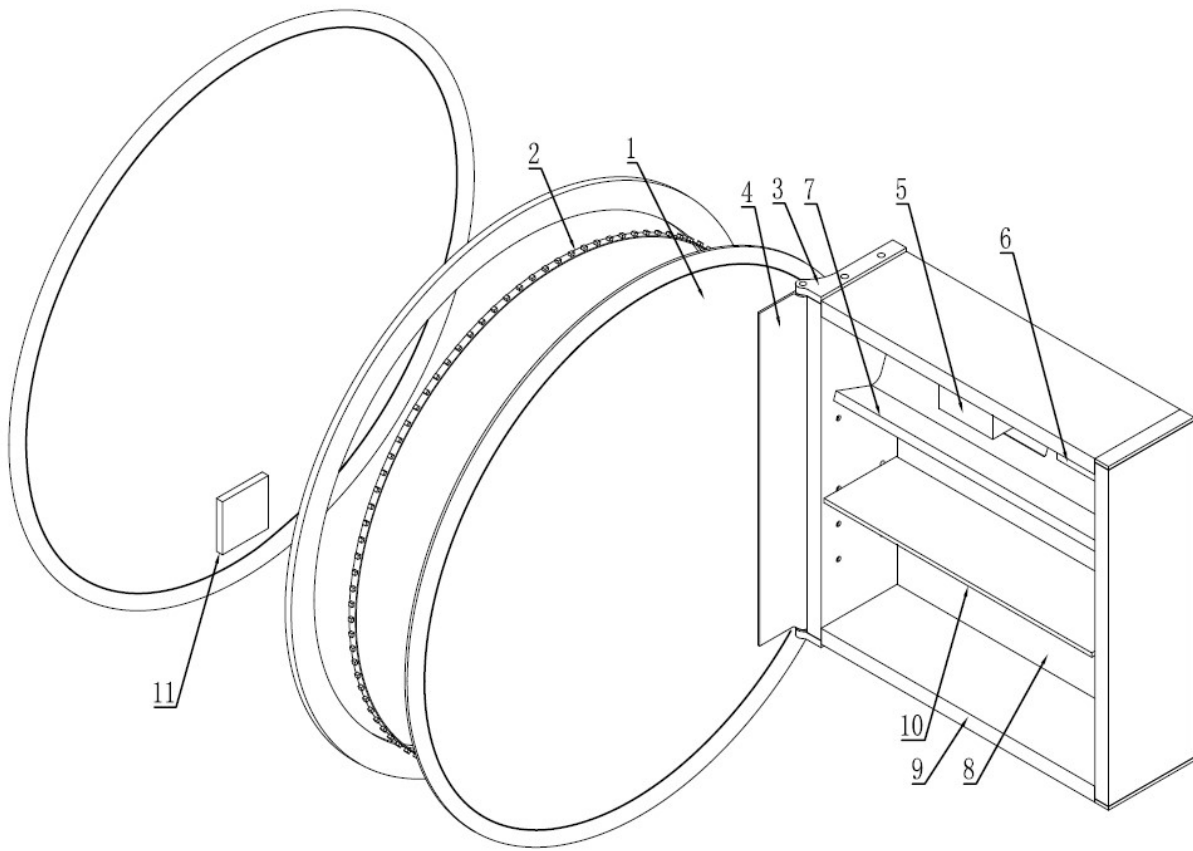
All warranty claims should be sent to [customerservice@Miseno.com](mailto:customerservice@Miseno.com) or call 1.866.479.8076. Our customer service representative will contact you promptly to help you go through the process until you are completely satisfied with our products.

**SHORTAGE OR DAMAGED PRODUCTS** All shipments are carefully inspected and counted before leaving our distribution centers. Please inspect carefully on receipt of merchandise, noting any discrepancy or damage on the carrier's freight bill at that time, and file a claim with the carrier within 10 days from receipt of order. Then contact our office. Deductions from invoices for shortages or damage claims will not be allowed.

**RETURN NEW GOODS** All claims for returns or adjustments must have prior approval and return authorization (RA) number. Only original, sealed product in salable condition are eligible for return. Credit for authorized returns will be issued at the net price paid for the product and subject to a 15% restocking/handling fee. Merchandise is to be returned via prepaid freight. All unauthorized returns will be refused or subject to a 25% restocking/handling fee.

To request an "RA" number: Contact our Customer Service Representatives at [customerservice@Miseno.com](mailto:customerservice@Miseno.com). We will send you a Return Authorization Number (RA) by return email. Please take necessary precautions when returning merchandise to prevent additional damage. Insurance is the responsibility of the shipper.

# Exploded view



Part	Description
1	Mirror Door
2	LED Light
3	Hinge Bracket
4	Hinge
5	AC & USB Outlets
6	LED Driver
7	Electrical Cover
8	Mirrored Back Board
9	Aluminum Frame
10	Glass Shelf
11	Touch Switch

