

# USER GUIDE

## LED LIGHTED MIRROR

Model: 63502432, 63504040, 63504635, 63504824, 63504830,  
63505636, 63507230, 63508435



(Items other than the mirror shown in the picture above are not included)

# IMPORTANT SAFETY INFORMATION

Please read through this installation instruction so you will know how to install and operate your model properly. Keep this document in a safe place for future reference after use.

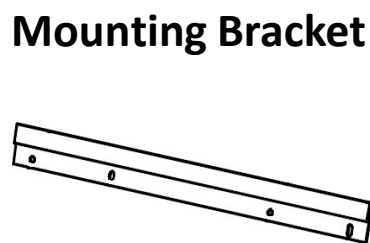
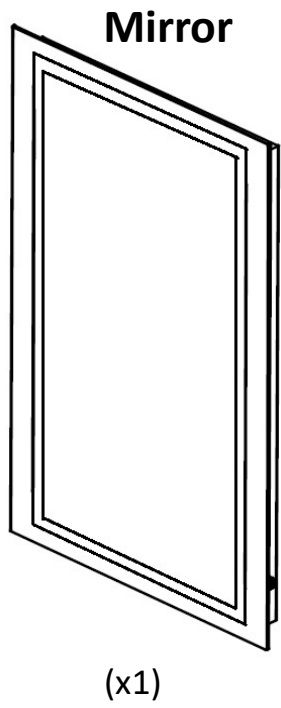
## **WARNING**

This product must be installed in accordance with the installation instruction by qualified technician. Failure to follow instruction could result in death or serious bodily injury.

## **CAUTION**

This product must be serviced by qualified personnel. ALWAYS unplug the power cord or turn off the circuit breaker before service.

# PACKAGE CONTENTS



(Model 63502432 x2)  
(Model 63504040 x1)  
(Model 63504635 x2)  
(Model 63504824 x2)  
(Model 63504830 x2)  
(Model 63505636 x2)  
(Model 63507230 x2)  
(Model 63508435 x2)



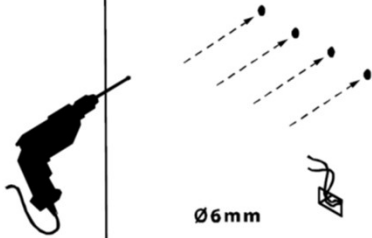
(Model 63502432 x4)  
(Model 63504040 x4)  
(Model 63504635 x4)  
(Model 63504824 x4)  
(Model 63504830 x5)  
(Model 63505636 x5)  
(Model 63507230 x5)  
(Model 63508435 x7)



(Model 63502432 x4)  
(Model 63504040 x4)  
(Model 63504635 x4)  
(Model 63504824 x4)  
(Model 63504830 x5)  
(Model 63505636 x5)  
(Model 63507230 x5)  
(Model 63508435 x7)

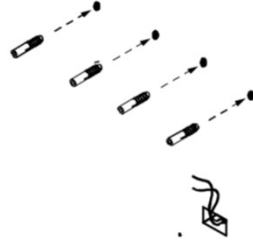
# INSTALLATION

1



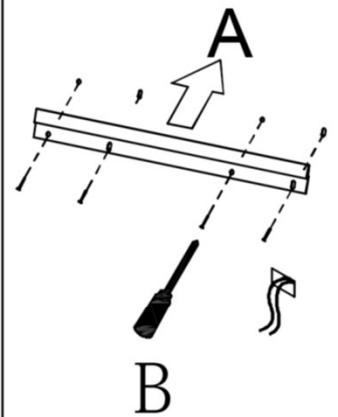
For drywall installation, mark the hole locations and drill  $\Phi$  6mm holes for the drywall anchors. Install a junction box behind the mirror for power connections.

2



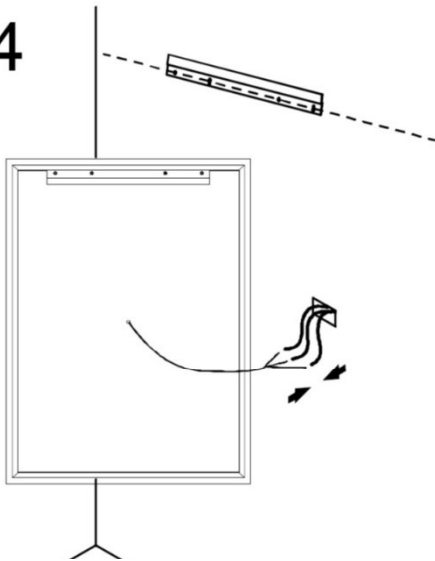
Insert provided drywall anchors.

3



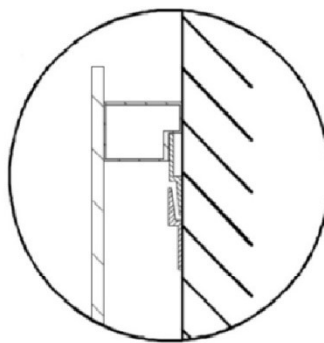
Install the mounting bracket.

4



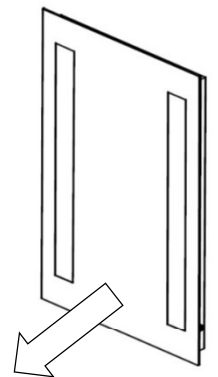
Connect to 110V power supply.

5



Hang the mirror to the wall and make sure the bracket in the back of the mirror is fully inserted into the wall mounting bracket.

6

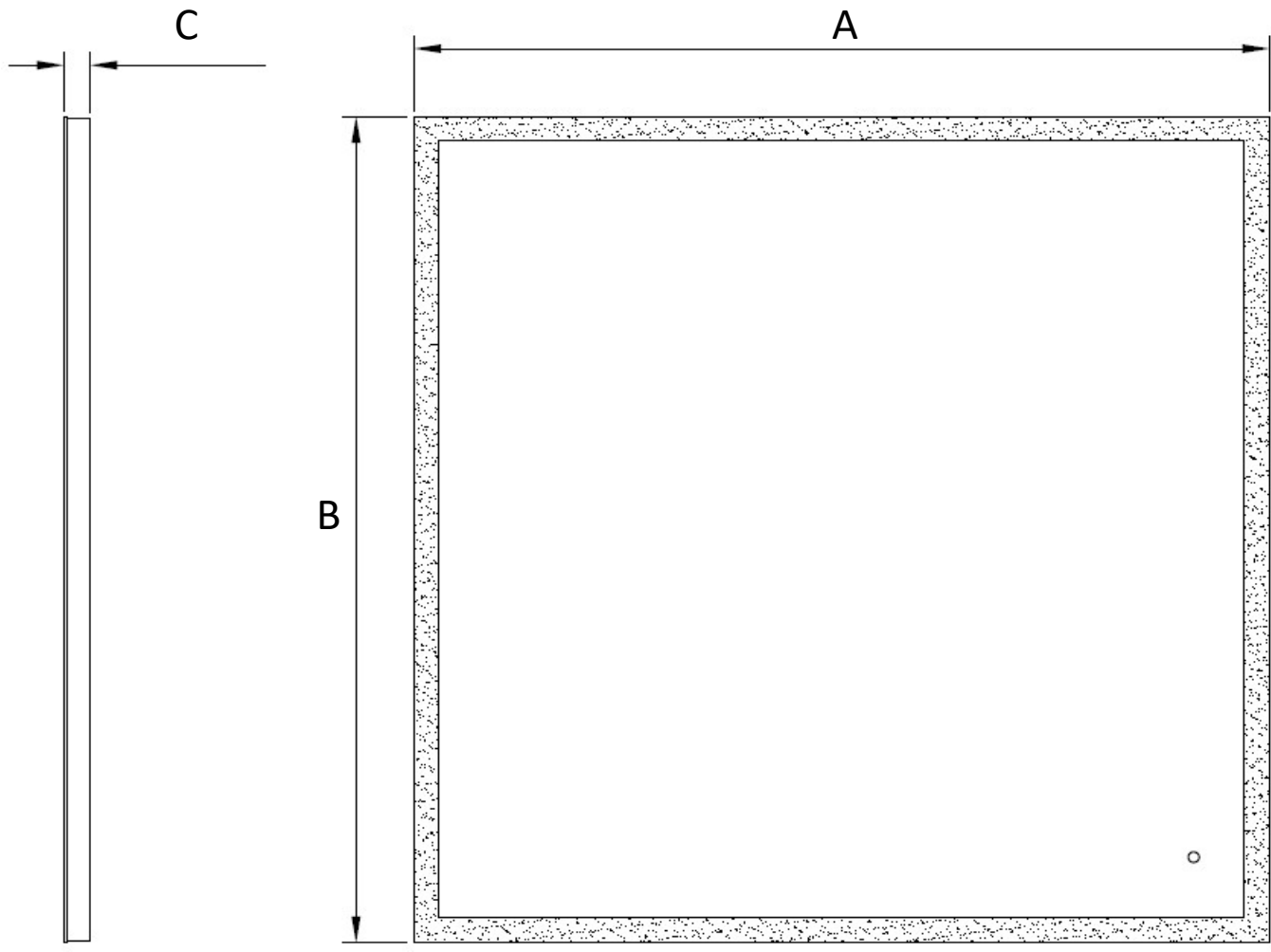


Pull the mirror slightly away from the wall while holding it to make sure it is hung securely onto the bracket.



- Using the wall studs to hang the mirror is highly recommended.
- This mirror is NOT designed to work with dimmable wall switch.

# INSTALLATION DIMENSIONS



Model #	A	B	C
63502432	24	32	1 1/4
63504040	40	40	1 1/4
63504635	46	35	1 1/4
63504824	48	24	1 1/4
63504830	48	30	1 1/4
63505636	56	36	1 1/4
63507230	72	30	1 1/4
63508435	84	35	1 1/4



### IR sensor

- a. The IR sensor is a circular dot in grey color located in front of the mirror at the bottom right or bottom left corner
- b. Move your hand across the IR sensor ONCE to turn the lights on or off.
- c. The distance between your hand and the sensor should be approx. 1".



- Move your hand across the IR sensor at a steady speed; moving it too fast might not activate the IR sensor.
- Move your hand across the IR sensor more than once might not activate the IR sensor.

## CARE AND MAINTENANCE

Clean the mirror with a soft, damp cloth and dry thoroughly with a soft towel. Do NOT allow the edges of the mirror to get or remain wet over a period of time. Please do NOT use glass cleaner that contains ammonia or vinegar. Never spray any cleaner directly onto a mirror. Instead apply the cleaner to a soft cloth and then wipe the mirror. Make sure no commercial cleaner comes in contact with the edge or backing.

## WARRANTY

### 5 years Limited Warranty

**Miseno** LED mirrors (Illumirror®) have been manufactured under the highest standards of quality and workmanship. We warrant to the original purchaser that our LED mirrors are free from any defects in material and workmanship by normal use for 5 years from date of purchase. A replacement for any defective part will be supplied FREE OF CHARGE for installation by you.

This warranty is valid to the original purchaser only and does not cover product damage due to installation error, product abuse, product misuse, etc. whether or not performed by professionals. **Miseno** will not be responsible for labor charges and/or damage incurred in installation, repair or replacement nor for any incidental or consequential damages.

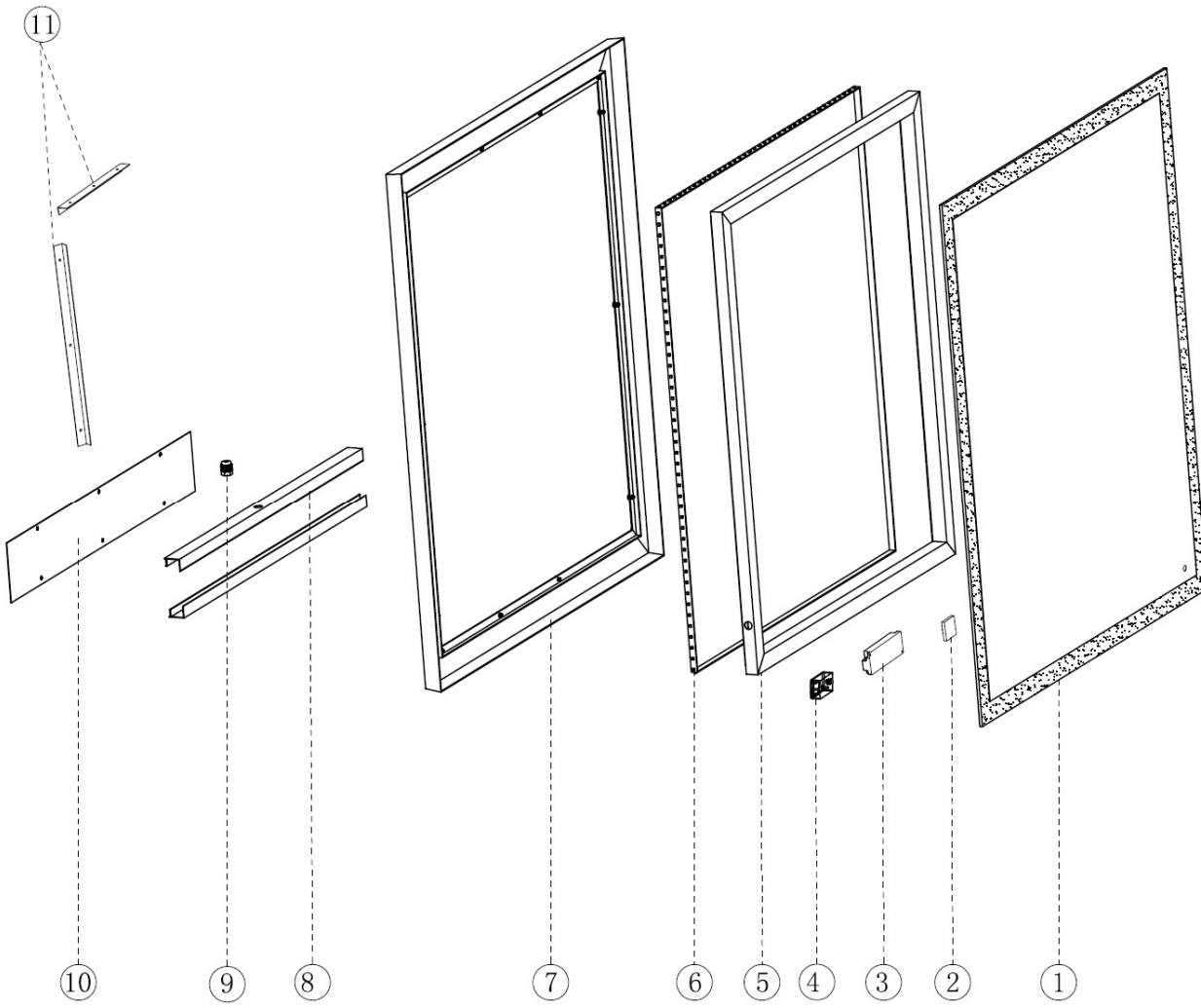
All warranty claims should be sent to [customerservice@Miseno.com](mailto:customerservice@Miseno.com) or call 1.866.479.8076. Our customer service representative will contact you promptly to help you go through the process until you are completely satisfied with our products.

**SHORTAGE OR DAMAGED PRODUCTS** All shipments are carefully inspected and counted before leaving our distribution centers. Please inspect carefully on receipt of merchandise, noting any discrepancy or damage on the carrier's freight bill at that time, and file a claim with the carrier within 10 days from receipt of order. Then contact our office. Deductions from invoices for shortages or damage claims will not be allowed.

**RETURN NEW GOODS** All claims for returns or adjustments must have prior approval and return authorization (RA) number. Only original, sealed product in salable condition are eligible for return. Credit for authorized returns will be issued at the net price paid for the product and subject to a 15% restocking/handling fee. Merchandise is to be returned via prepaid freight. All unauthorized returns will be refused or subject to a 25% restocking/handling fee.

To request an "RA" number: Contact our Customer Service Representatives at [customerservice@Miseno.com](mailto:customerservice@Miseno.com). We will send you a Return Authorization Number (RA) by return email. Please take necessary precautions when returning merchandise to prevent additional damage. Insurance is the responsibility of the shipper.

# Exploded view



Part	Description
1	Mirror
2	IR Sensor
3	LED Driver
4	IR Sensor Driver
5	Aluminum Frame-inner
6	LED Strip
7	Frame-outer
8	Support
9	Cable Gland
10	Galvanize Plate
11	Mounting Bracket

