

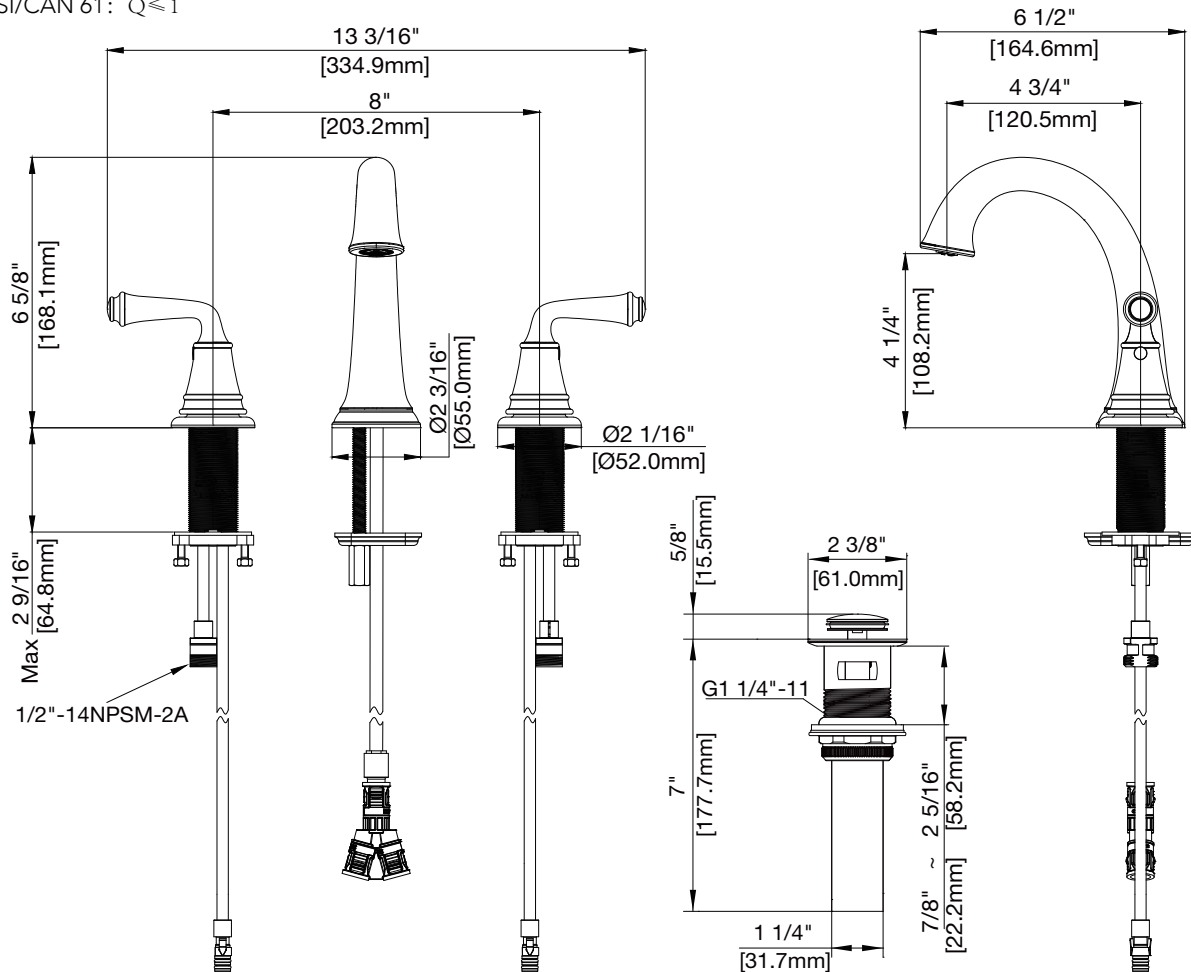
MISENO

TWO HANDLE LAVATORY FAUCET

Product Codes:

MNO721LCP (Polished Chrome)
MNO721LZBN (Brushed Nickel)

- Max flow rate: 1.2 gpm at 60 psi
- Metal handles
- Ceramic disc cartridge
- 3 hole installation with 8" on-center
- With Press Pop-Up Assembly Drain
- WaterSense certified
- Certified to ASME A112.18.1/CSA B125.1
- cUPC/IAPMO listed
- Limited lifetime warranty
- ADA compliant
- NSF/ANSI/CAN 61: $Q \leq 1$



All dimensions are based on original specifications and are subject to change and variation.

See dimensional drawing on next page.

©2024 Ferguson Enterprises, Inc. All Rights Reserved VEN 06/12.

