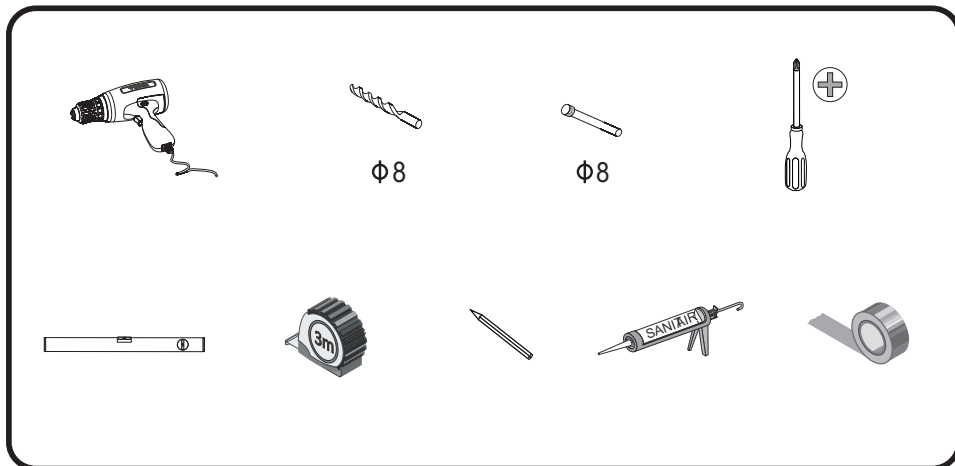




Installation Manual

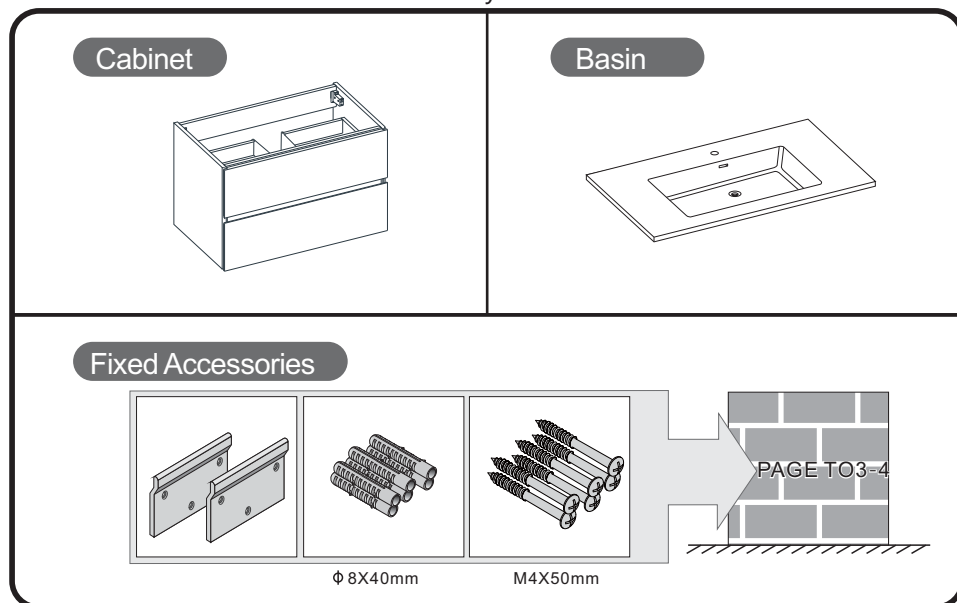
| | |
|--|----|
| 1、 Parts List | 01 |
| 2、 Installation instructions | 03 |
| 3、 Installation Instructions | 08 |
| 4、 Installation & adjustment of drawer | 09 |
| 5、 The way to take off the drawer | 10 |

Tools List



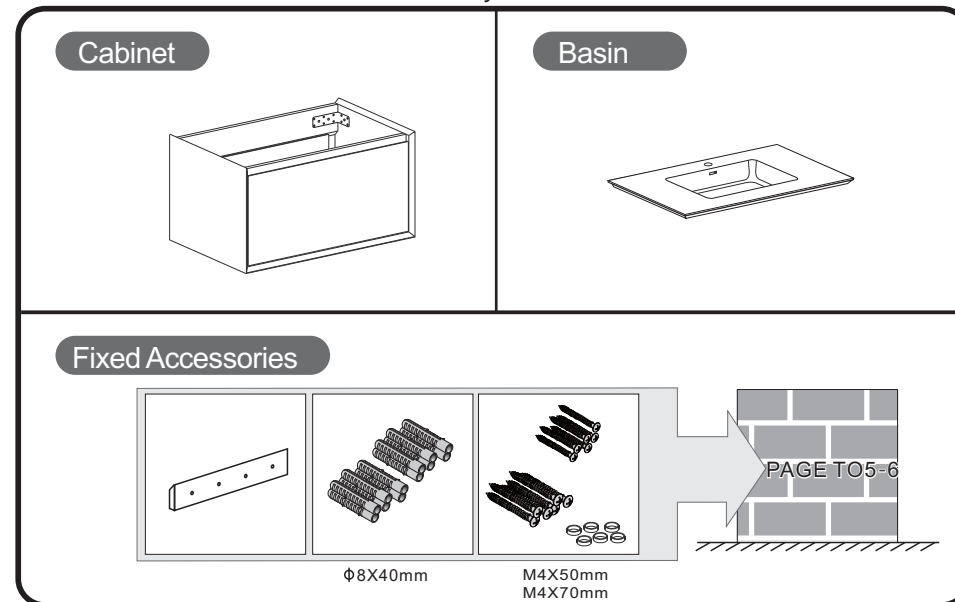
Parts List

Fixed System1

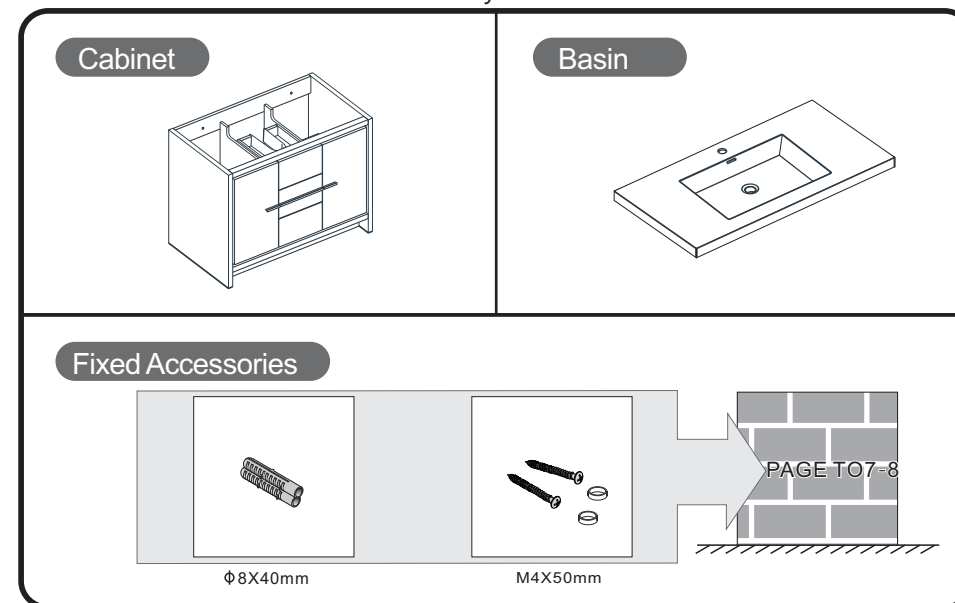


Parts List

Fixed System 2



Fixed System 3



Installation Instructions

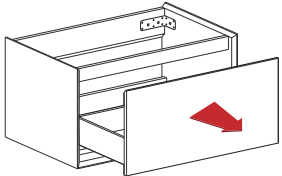
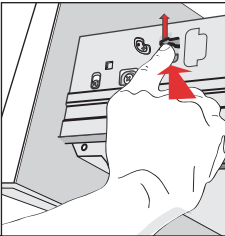
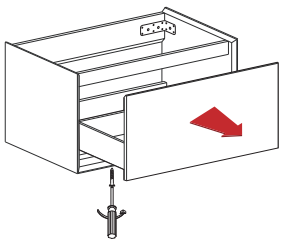
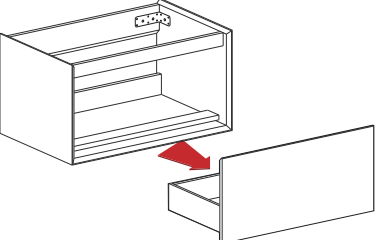
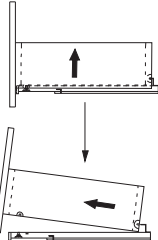
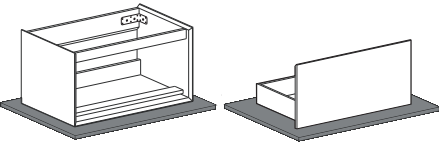
Fixed System 1

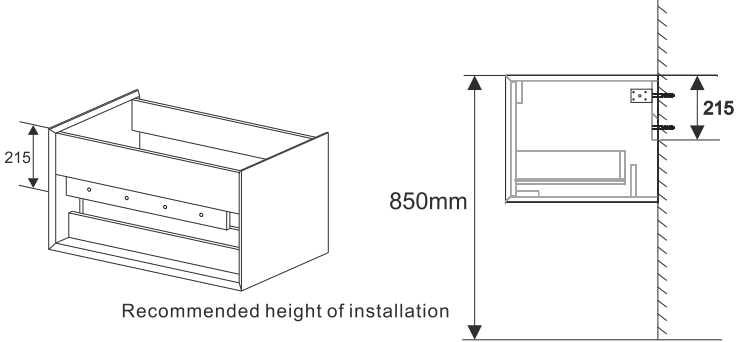
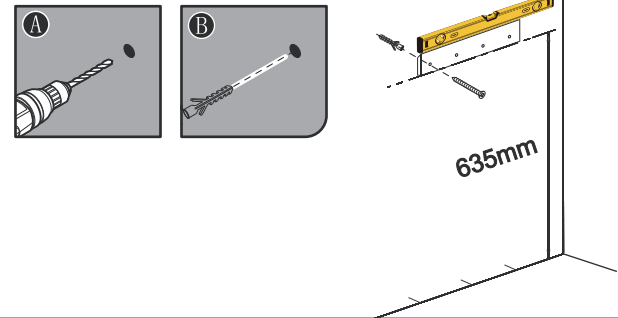
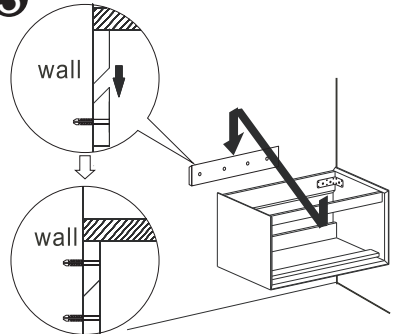
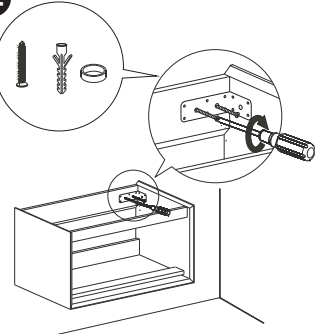
| | |
|--------------------------------------|--------------------------------------|
| <p>1</p> | <p>2</p> <p>metal box</p> |
| <p>2</p> <p>wooden drawer</p> | <p>3</p> <p>metal box</p> |
| <p>3</p> <p>wooden drawer</p> | <p>4</p> <p>wooden drawer</p> |

| | |
|--------------------------------------|-----------------|
| <p>5</p> <p>2mm 2mm 850mm</p> | |
| <p>6</p> | <p>7</p> |
| <p>8</p> | <p>9</p> |

Installation Instructions

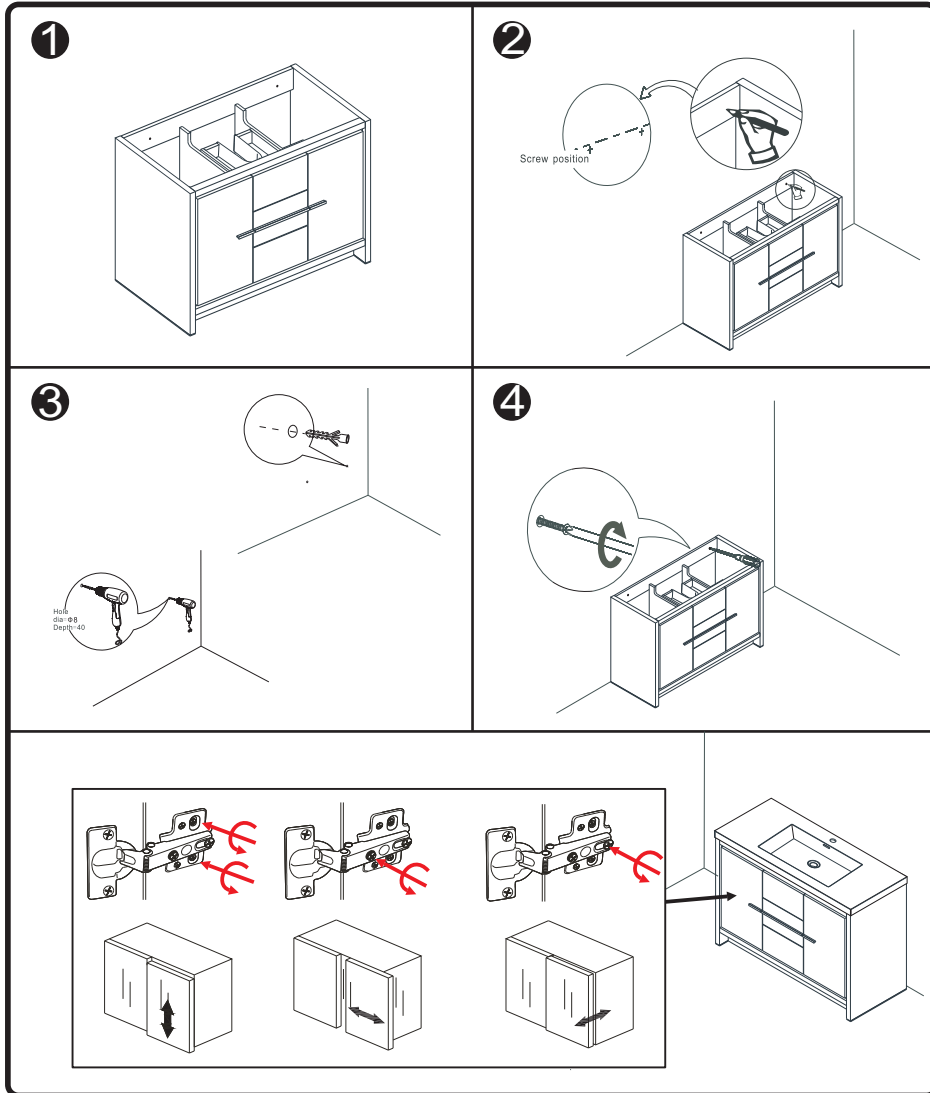
Fixed System 2

| | |
|--|--|
| <p>1</p>  | <p>2</p>  <p>metal box</p> |
| <p>2</p>  <p>wooden drawer</p> | <p>3</p>  <p>metal box</p> |
| <p>3</p>  <p>wooden drawer</p> | <p>4</p>  |

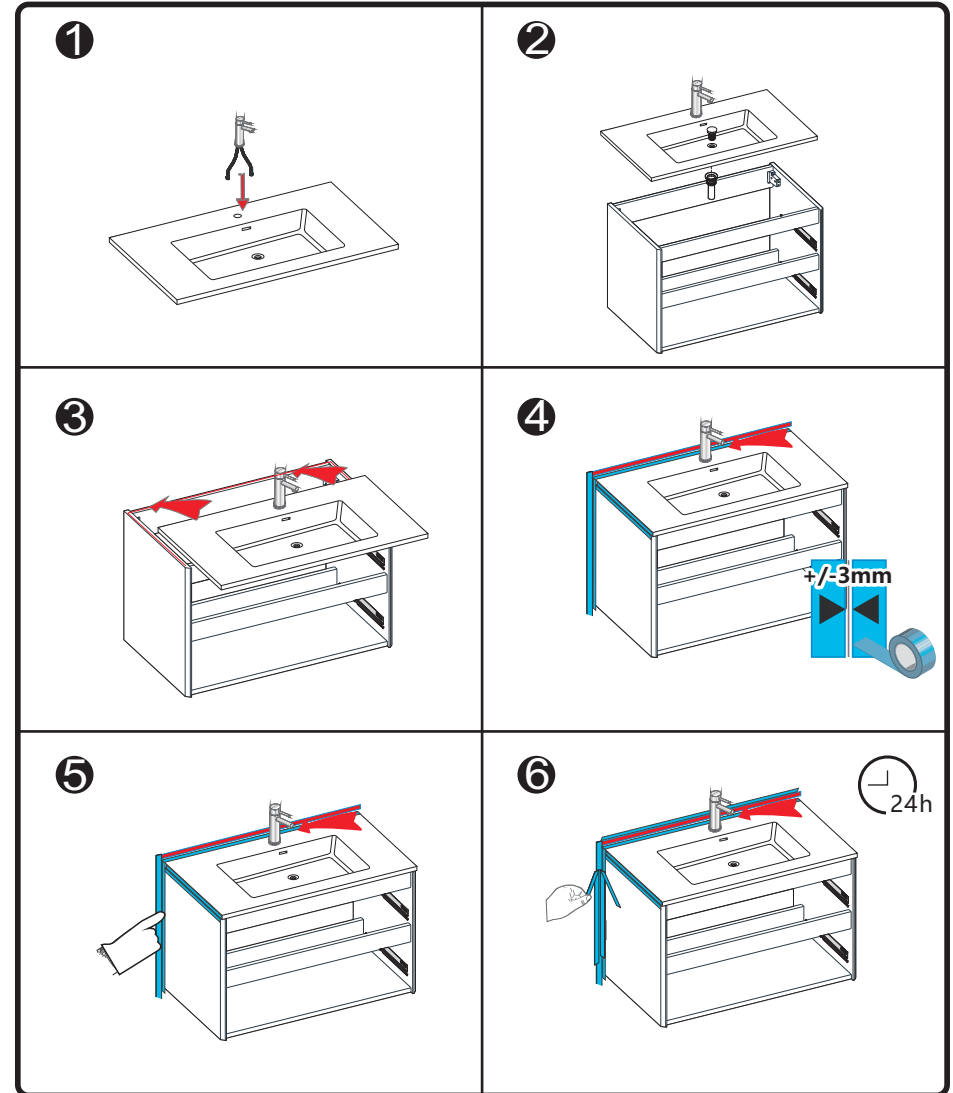
| | |
|---|---|
| <p>1</p>  <p>215</p> <p>850mm</p> <p>Recommended height of installation</p> | |
| <p>2</p>  <p>A</p> <p>B</p> <p>635mm</p> | |
| <p>3</p>  <p>wall</p> <p>wall</p> | <p>4</p>  |

Installation Instructions

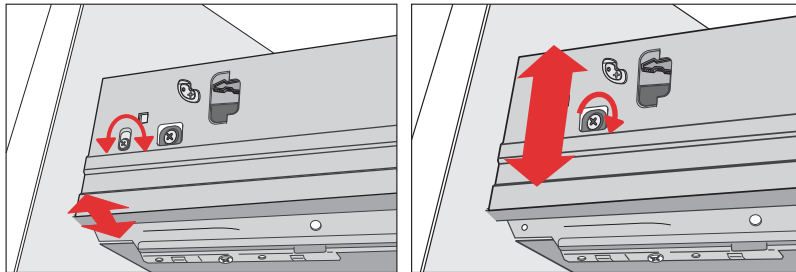
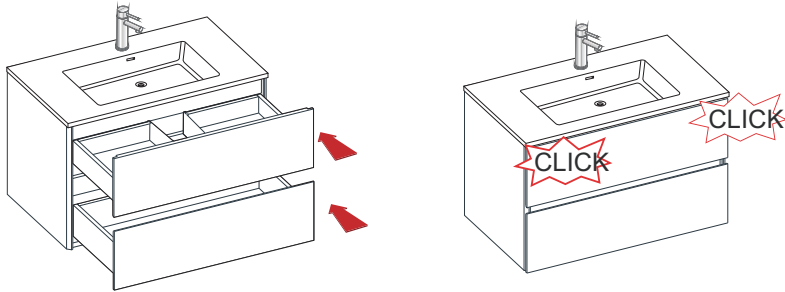
Fixed System 3



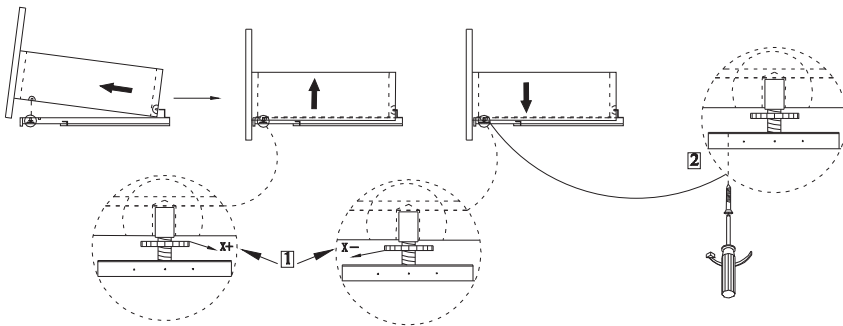
Installation Instructions



Installation & adjustment of drawer



metal box



wooden drawer

The way to take off the drawer

