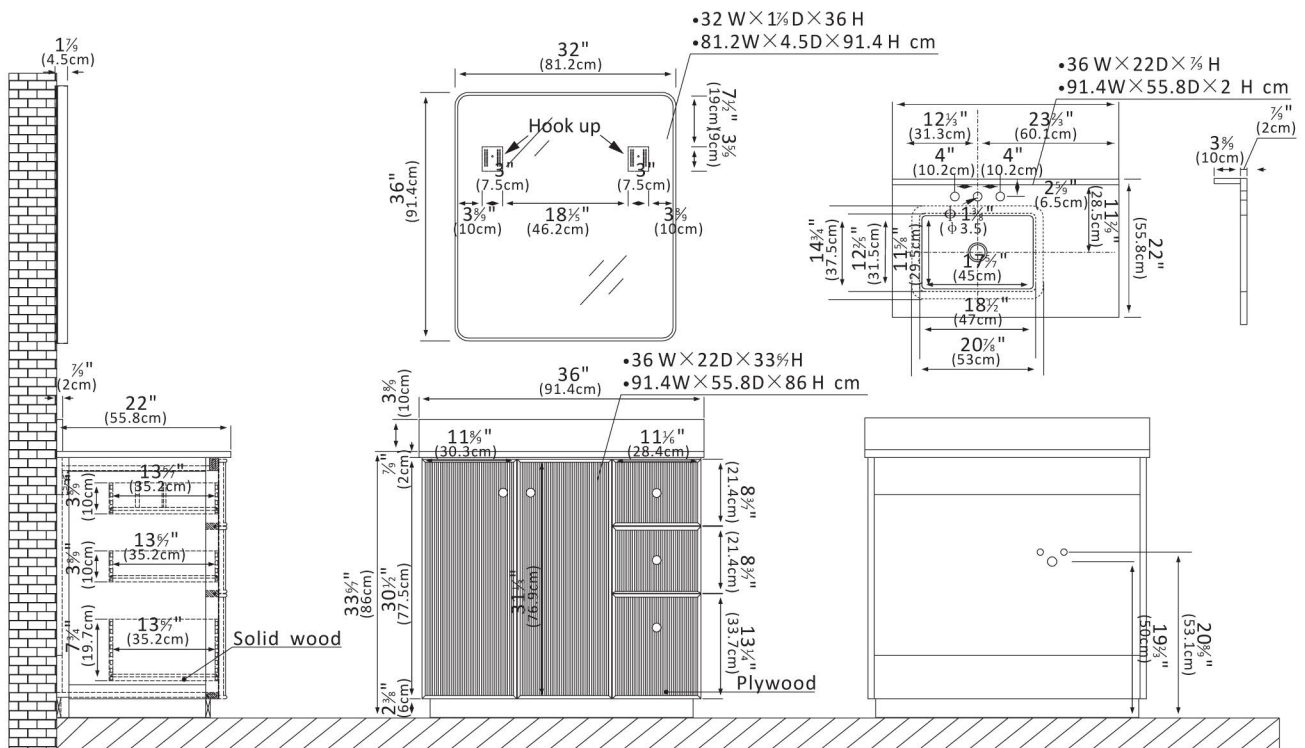


Oza Vanity Collection



Features

- **Durable Materials:** Crafted from natural, imported solid wood for superior durability and long-lasting beauty.
- **Stunning Finish:** Available in your choice of a beautiful Aged Dark Brown Oak or Aged Natural Oak finish to complement your décor, using environmentally friendly Sherwin-Williams paint products.
- **Ample Storage Space:** Two soft-closing doors and three sturdy, soft-closing dovetail drawers offer ample space for all your toiletries. Built-in partition storage space in the drawer allow you to keep toiletries and other items neatly organized.
- **High-Quality Hardware:** Rugged zinc alloy knurled Brushed Gold handle adds a cool touch of style and contrast against the textured wood.
- **Modern Top:** 0.8"-thick, quartz stone top in Fish Maw White with backsplash provides a clean and elegant look. With a high-gloss, anti-fouling coating, the countertop is scratch-resistant, wear-resistant, and easy to clean.
- **Nano-Coated Basin:** Bright white Nano anti-fouling coating ceramic undermount sink with overflow blends seamlessly with the stone vanity top.
- **Practical Functionality:** Built-in UL-listed power and USB outlets offer a practical way to power beauty and grooming appliances. Includes convenient hair dryer organizer that keeps your favorite tool within easy reach.
- **Matching Mirrors:** Single, rectangular, aluminum-framed mirror complement the vanity and tie it all together. (Mirror Option)
- **Faucet Type:** Countertop has pre-drilled, standard 8-inch widespread faucet holes.
- **Accessories:** Does not include faucet, drain assembly or P-trap, Storage Cabinet. Comes fully assembled and ready to install in your bathroom.
- **No Installation Required:** Freestanding bathroom vanity (without back panel) comes fully assembled for your convenience. Designed for easy, no-hassle plumbing and faucet installation.
- **Full Warranty:** 1-Year Manufacturer Warranty—purchase with 100% peace of mind.
- **Country of Origin:** Vietnam