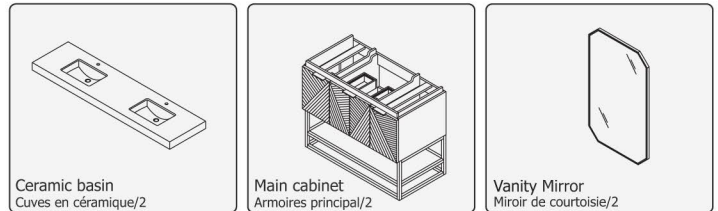


**\*INSTALLING VANITY WITH TWO PEOPLE IS HIGHLY RECOMMENDED\***  
**\*L'INSTALLATION DE LA VANITÉ AVEC DEUX PERSONNES EST FORTEMENT RECOMMANDÉE\***

**Recommended Tools/Outils recommandés**

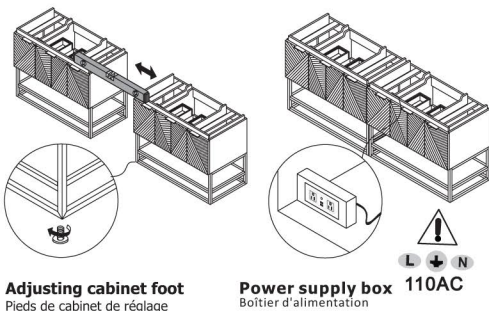


**Main Body Parts/La partie principale du corps**



**Assembly instructions/Instructions de montage**

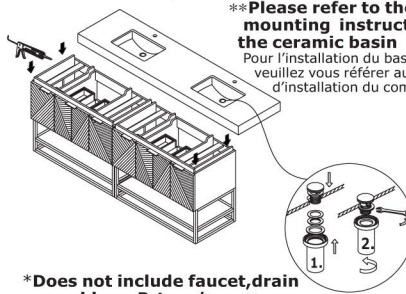
**STEP #1**  
**Cabinets assembled together/**  
**Armoires assemblées**



**Adjusting cabinet foot**  
 Pieds de cabinet de réglage

**Power supply box 110AC**  
 Boîtier d'alimentation

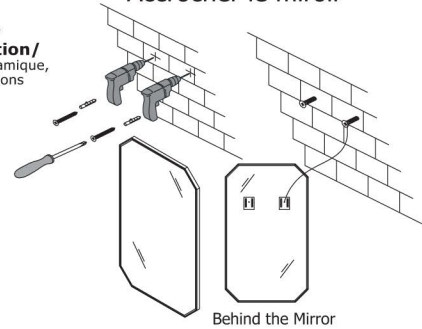
**STEP #2**  
**Paste the countertop/**  
**Coller le comptoir**



**\*\*Please refer to the table mounting instructions for the ceramic basin installation/**  
 Pour l'installation du bassin en céramique, veuillez vous référer aux instructions d'installation du comptoir.

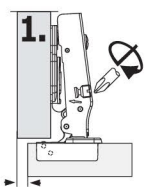
**\*Does not include faucet, drain assembly, or P-trap/** Les robinets, les ensembles de drains ou les pièges à eau Le P - trap sont pas inclus.

**STEP #3**  
**Hang the mirror/**  
**Accrocher le miroir**

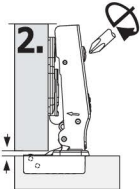


Behind the Mirror

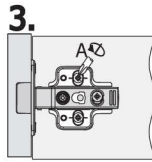
**Installation, Removal and Adjustment of Hinges on Vanity**



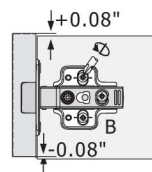
**1. Side adjustment**  
 Ajustement du côté  
 +0.08 -0.16



**2. Adjustable cassette/Cassette réglable** +0.11 -0.04  
 Cassette/Cassette +0.11 -0.08

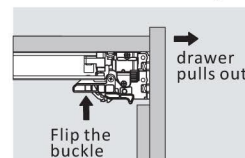
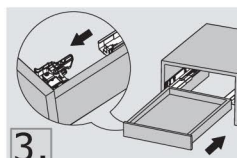
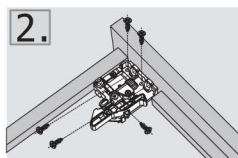
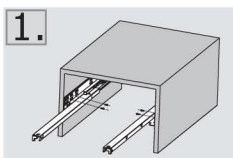


**3. After adjustment, tighten A B**  
 Après le réglage, vous devez serrer A B

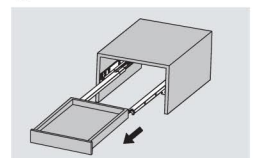


Loosen A B and adjust the height +0.08" -0.08"  
 Desserrer A B, ajuster la hauteur +0.08" -0.08"

**Installation Instruction/Instructions d'installation**

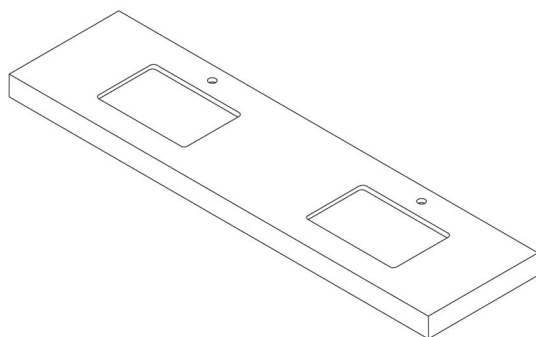


Removal of slide rail with front connector  
 Démontage de la glissière avec connecteur frontal



Flip the buckle of the front connector, then pull the drawer out to complete the disassembly  
 Retournez la boucle du connecteur avant, puis tirez sortir le tiroir pour terminer le démontage

•Please check your product packaging to make sure the included accessories etc.  
 Veuillez vérifier l'emballage de votre produit pour vous assurer que les accessoires inclus



**\*It is highly recommended to install two-person countertops\***  
**\*Est fortement recommandé d'installer un comptoir pour deux personnes\***

- Please check your product packaging to make sure the included accessories etc.  
Veuillez vérifier l'emballage de votre produit pour vous assurer que les accessoires inclus

## Recommended Tools/Outils recommandés

Level  
Niveau



Calking & Calking Gun  
Pistolet à calfeutrer et à calfeutrer

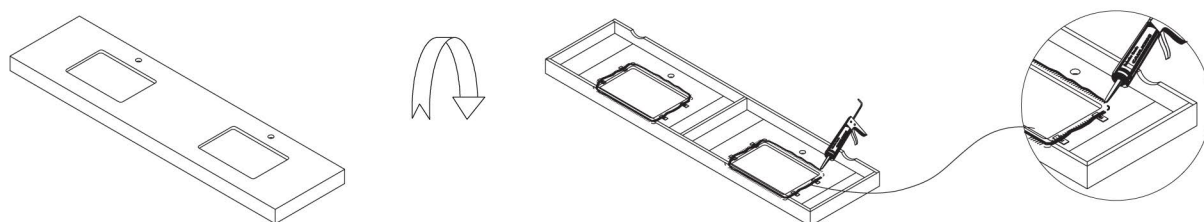


## Assembly instructions/Instructions de montage

### STEP #1

**Flip the countertop with the bottom facing up and apply glue to the sanding position**

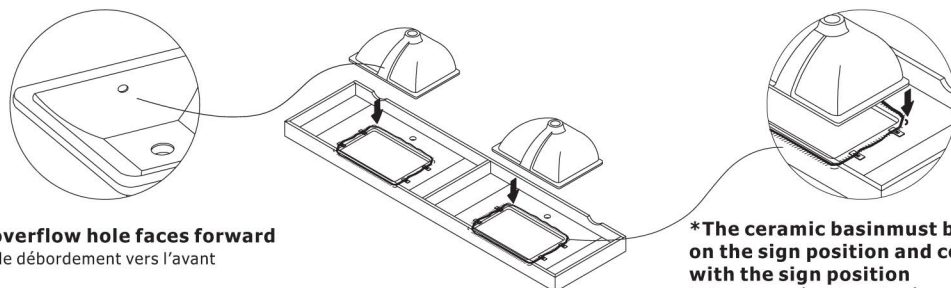
Retourner la table avec le bas vers le haut et coller dans la position de polissage



### STEP #2

**Turn the ceramic basin over to the sign position**

Retourner le bassin en céramique sur la position du signe



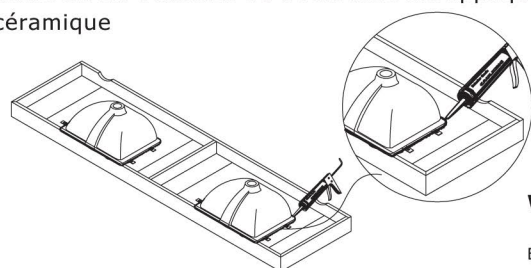
**\*The overflow hole faces forward**  
Trou de débordement vers l'avant

**\*The ceramic basin must be placed on the sign position and coincide with the sign position**  
Le bassin en céramique doit être mis sur la position du signe, coïncidant avec

### STEP #3

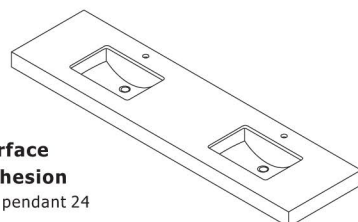
**Coat the outer edge of the ceramic basin with a circle of adhesive or silicone**

Un autre cercle d'adhésif ou de silicone est appliqué le long extérieur du bassin en céramique

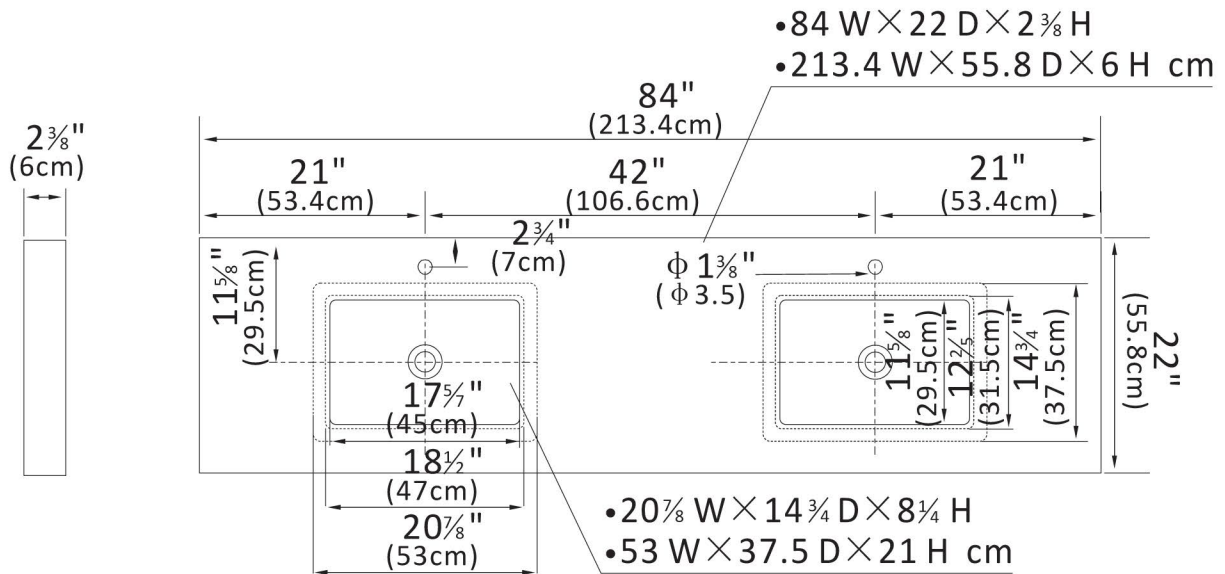


**Wipe off excess adhesive and let the surface sit for 24 hours to ensure maximum adhesion**

Essuyez l'excès d'adhésif et laissez la table reposer pendant 24 heures pour assurer une adhérence maximale



## Diagram Specifications



## Countertop Care Guide

### Countertop Care

- Kindly note that all our tops are sealed before shipping but may stain, scratch, or chip because they are porous by nature.
- Do not place hot items directly on the countertop as it can damage it.
- To prevent ring marks or staining, dry immediately.
- Place table mats beneath objects that can potentially scratch the surface.
- Use a clean, soft fabric to dust the vanity.
- Occasionally wash with a cloth dampened in warm water. If needed, apply a small amount of mild dishwashing liquid or stone soap to clean. Dry with a soft cloth.
- Refrain from using chemical cleaners, sprays, abrasive cleaners, or products that contain lemon, vinegar, or other acids.
- We advise to reseal top annually or when necessary.

### Cleaning and maintenance

- Avoid using cleaning products that contain Bleach or Ammonia.
- Please use wood-friendly products on wooden base vanities.
- To adequately clean exterior surfaces, use natural cleaning solutions or soap

#### **⚠ WARNING**

This product can expose you to chemicals including Nickel compounds, which is known to the State of California to cause cancer. For more information visit [www. P65Warning. ca. gov](http://www.P65Warning.ca.gov)

#### **⚠ WARNING**

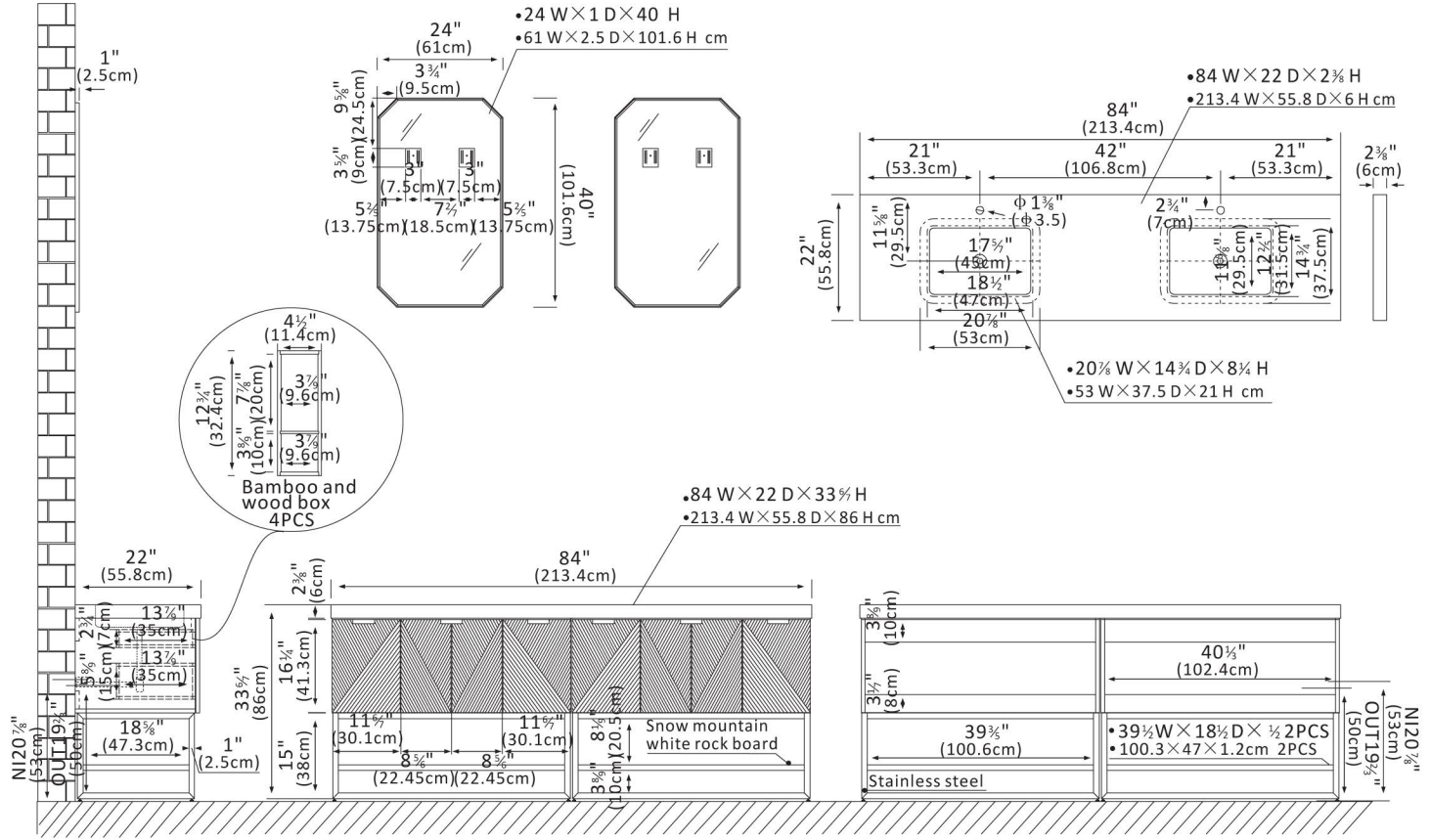
This product can expose you to Glass wool fibers (inhalable and biopersistent), which is known to the State of California to cause cancer. For more information, go to [www. P65Warnings. ca. gov](http://www.P65Warnings.ca.gov)

#### **⚠ WARNING**

Serious or fatal crushing can occur from furniture tip over . To prevent tip over this furniture must be used with the wall attachment device(s) provided.

Screw(s) and plug(s) for the wall are not included. Use screw(s) and plug(s) suitable for your walls. If you are uncertain, seek professional Advice. Read and follow each step of the instruction carefully.

# Diagram Specifications



## Vanity Care Guide

### Vanity Care

- Avoid direct contact of sharp objects as they can cause exterior damage.
- Do not expose directly to the sun as it can cause aging and cosmetic damage.
- Avoid placing hot objects onto the vanity surface.

### Countertop Care

- Kindly note that all our tops are sealed before shipping but may stain, scratch, or chip because they are porous by nature.
- Do not place hot items directly on the countertop as it can damage it.
- To prevent ring marks or staining, dry immediately.
- Place table mats beneath objects that can potentially scratch the surface.
- Use a clean, soft fabric to dust the vanity.
- Occasionally wash with a cloth dampened in warm water. If needed, apply a small amount of mild dishwashing liquid or stone soap to clean. Dry with a soft cloth.
- Refrain from using chemical cleaners, sprays, abrasive cleaners, or products that contain lemon, vinegar, or other acids.
- We advise to reseal top annually or when necessary.

### Cleaning and maintenance

- Avoid using cleaning products that contain Bleach or Ammonia.
- Please use wood-friendly products on wooden base vanities.
- To adequately clean exterior surfaces, use natural cleaning solutions or soap

#### **⚠ WARNING**

This product can expose you to chemicals including Nickel compounds, which is known to the State of California to cause cancer. For more information visit [www. P65Warning. ca. gov](http://www.P65Warning.ca.gov)

#### **⚠ WARNING**

This product can expose you to Glass wool fibers (inhalable and biopersistent), which is known to the State Of California to cause cancer. For more information, go to [www. P65Warnings. ca. gov](http://www. P65Warnings. ca. gov)

#### **⚠ WARNING**

Serious or fatal crushing can occur from furniture tip over . To prevent tip over this furniture must be used with the wall attachment device(s) provided. Screw(s) and plug(s) for the wall are not included. Use screw(s) And plug(s) suitable for your walls. If you are uncertain, seek professional Advice. Read and follow each step of the instruction carefully.