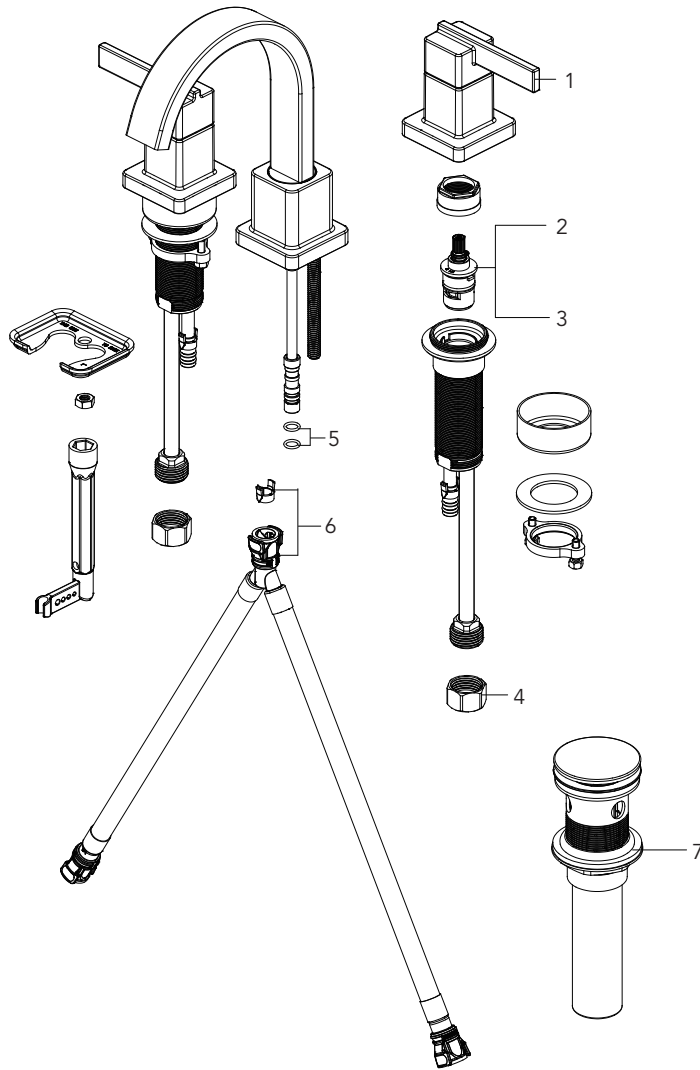


MISENO

MNO441L

TWO HANDLE LAVATORY FAUCET



| No. | Part Name | Part No. |
|-----|------------------------|--------------|
| 1 | Handle | OBPF7F13123* |
| 2 | Cartridge H | OBPF220046 |
| 3 | Cartridge C | OBPF220047 |
| 4 | Coupling nut | OBPF156002 |
| 5 | O-ring | OBPF60002 |
| 6 | Quick Connect Assembly | OBPF870623A |
| 7 | Press pop-up assembly | OBPF9F40005* |



NSF/ANSI/CAN 372
NSF/ANSI/CAN 61-9 Qs1



Warranty and Codes

All Miseno faucets have a lifetime limited warranty and certified to ASME A112.18.1; cUPC/IAPMO listed. Installation, operating, care and maintenance instructions are included.