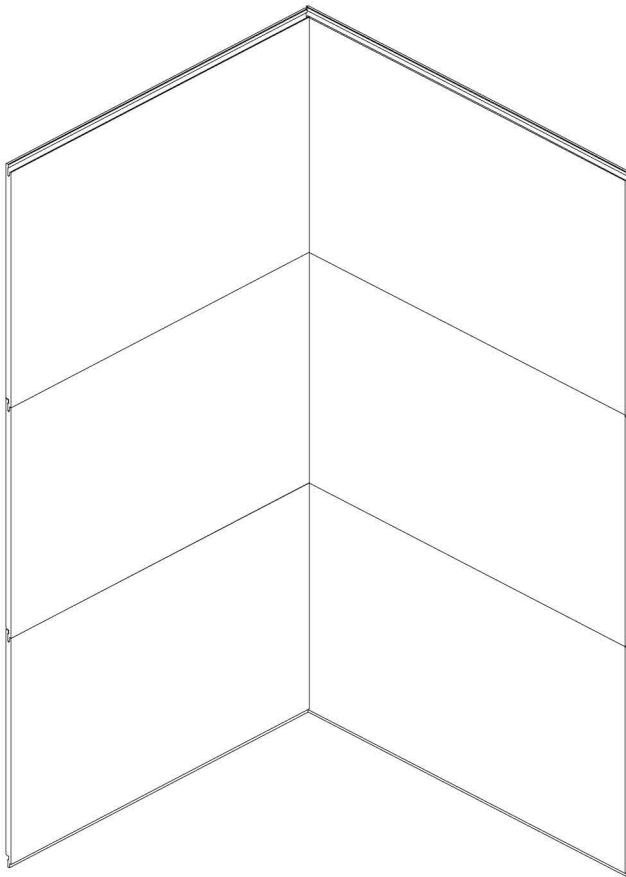


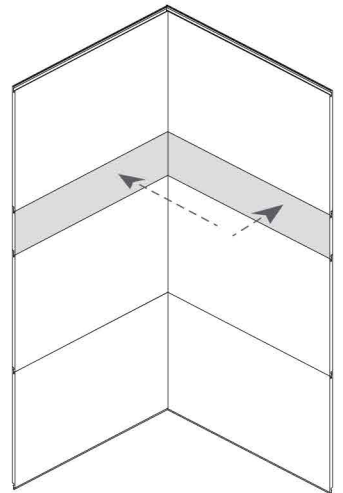
## READ THE INSTRUCTIONS CAREFULLY

Familiarize yourself with all the parts as shown in the exploded view. The exploded view will also provide a helpful reference when relating to the location of the various parts and how they are mounted.

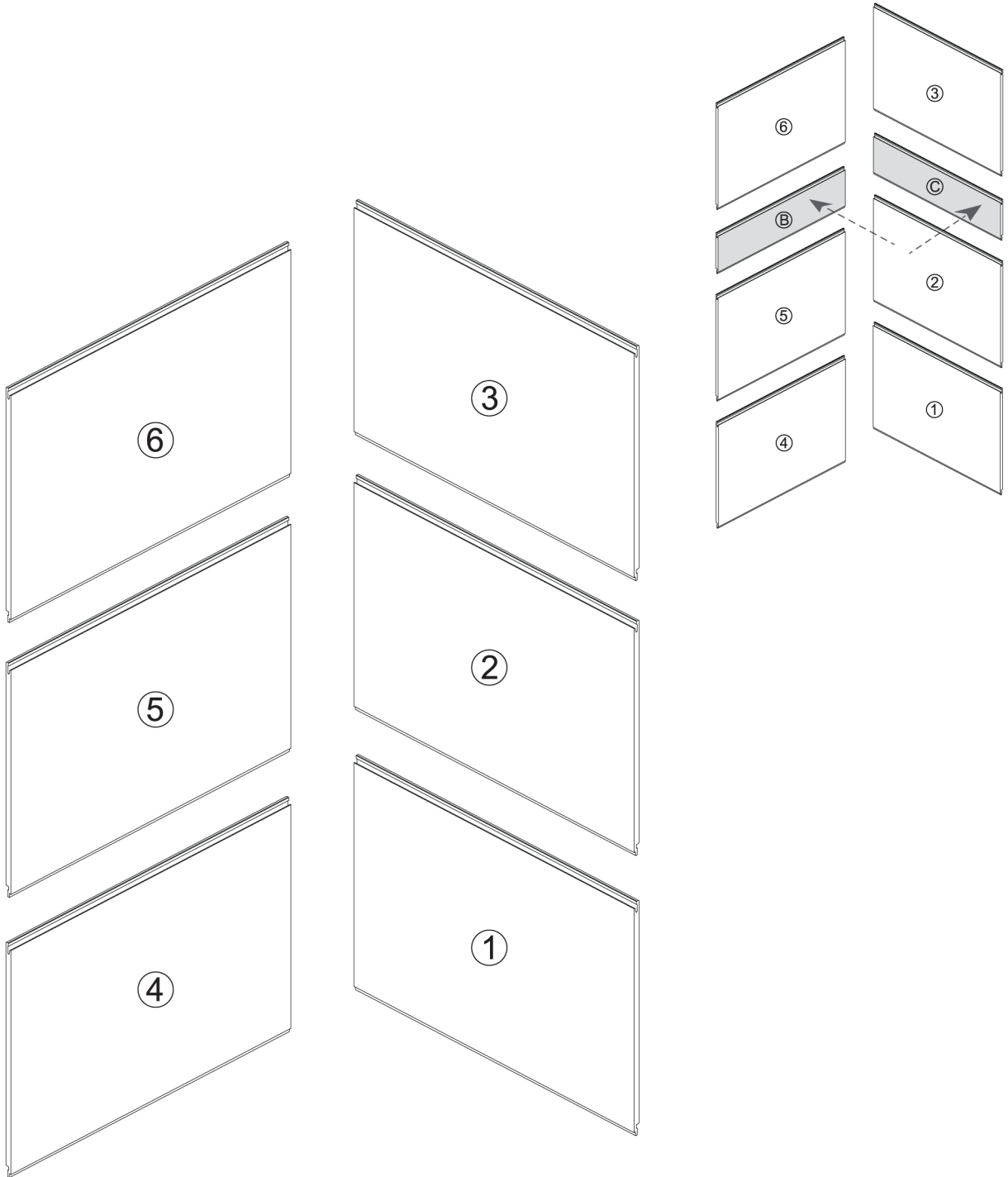
COPY THE MODEL NUMBER FOR YOUR RECORDS HERE #



### Optional Accent Panel ( Sold Separately )

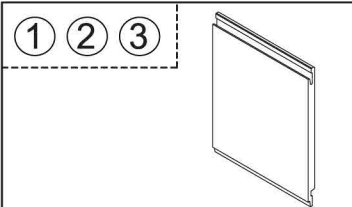
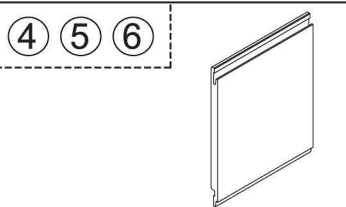
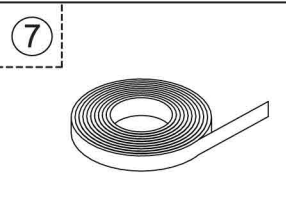


Optional Accent Panel  
( Sold Separately )

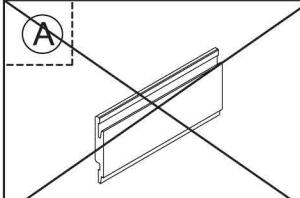
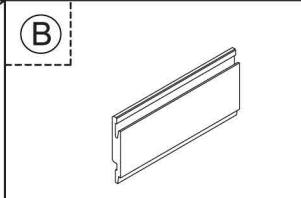
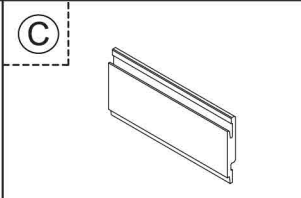


 **CAUTION: Do not set on corners when handling wall pieces.**

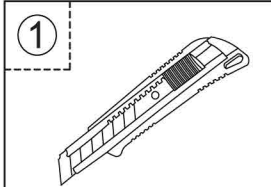
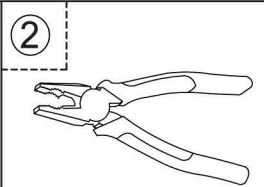
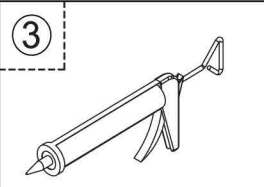
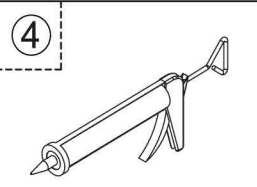
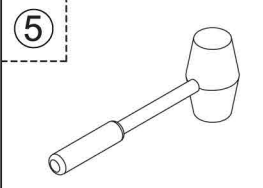
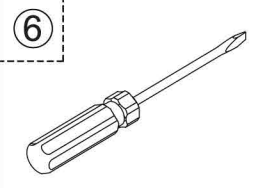
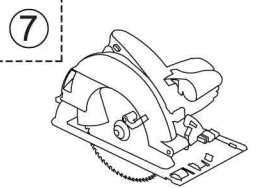
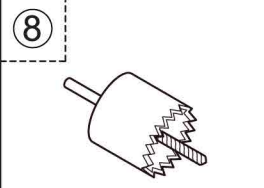
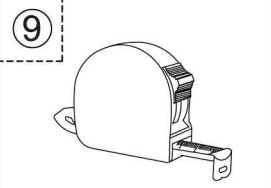
# PARTS LIST

		
<p>Side Panel with Tongue &amp; Groove</p>	<p>Side Panel with Tongue &amp; Groove</p>	<p>Double-Sided Construction Tape</p>

# ACCENT PANEL PARTS LIST - SOLD SEPARATELY

		
<p><b>Discard Panel A. Do Not use for Neo-Angle Application.</b></p>	<p>Optional Left Accent Panel with Tongue &amp; Groove</p>	<p>Optional Right Accent Panel with Tongue &amp; Groove</p>

# RECOMMENDED TOOLS

				
<p>Utility Knife</p>	<p>Locking Pliers</p>	<p>Constructive Grade Adhesive</p>	<p>Silicone</p>	
				
<p>Rubber Mallet</p>	<p>Flathead Screwdriver</p>	<p>Circular Saw</p>	<p>Hole Saw</p>	<p>Measuring Tape</p>

SHOWER WALL

BACKER BOARD

STUD

NAILING FLANGE

SHOWER BASE

## NOTE: SHOWER BASE INSTALLATION

When used in conjunction with a shower base that has a nailing flange, the Shower Wall System is designed to be installed as shown in the drawing. The nailing flange of the base should be attached directly to the bare studs with backer board attached to the studs above the nailing flange. The walls are installed on the backer board extending down in front of the nailing flange and resting on the base. Failure to install your base in this configuration may cause problems installing the walls.

## PREPARATION TIPS

---

Before beginning installation of product, make sure all parts are present. Compare parts with package contents list. If any part is missing or damaged, do not attempt to assemble or install the product.

- Begin by measuring the overall width of the back wall after it has been cleaned and prepared for installation.
- If the overall height of the back and/or side walls above the bathtub or shower base is less than the height of the panels, they can be easily cut to fit.
- Turn off the water supply.
- Remove all shower hardware and decorations, including but not limited to: Faucet handles, escutcheons, filler spouts, towel bars, and soap dishes.
- All plumbing and electrical work inside the walls must be finished prior to installing the wall panels.
- Walls should be solid, plumb, and square within 1/8 inch of true. The Shower Wall System has been designed to allow for trimming, to accommodate minor alignment problems.
- The mounting surface should be cleaned and prepared, according to the Installation Procedure.
- If you plan to install a recessed accessory, cut the panel accordingly after it has been fully installed, and had the proper time to adhere to the wall. Remember to be considerate of wall studs when positioning the accessory.

### CAULKING TIPS:

- Follow the instructions on the tube of your chosen caulk.
- Once you have completed the project, inspect all areas that have been caulked, filling in any gaps as needed.
- Remove any excess caulk using denatured alcohol and a clean cloth. Use caution, and do not to disturb any of the caulk joints.

### INSTALLATION PROCEDURE:

The Shower Wall System can be installed over a variety of products. Consult with a professional contractor if you intend to apply the panels to any surface other than those described here.

### CEMENT/CONCRETE:

- Depending on the condition (flatness) of the existing wall, additional silicone may be required to properly secure the wall panels to the substrate.
- Surface must be completely clean. This includes but not limited to: Soap scum, dust and any other contaminants that may affect adhesion. Ceramic tiles do not need to be removed, if solidly adhered.
- Recommended: The complete area sealed with two coats of water or oil-based sealer, to ensure proper adhesion of the Shower Wall System.
- Complete the installation of the wall panels following the instruction manual, after the sealer has completely dried.

### MASONITE:

- Surface must be completely clean. This includes but not limited to: Soap scum, dust and any other contaminants that may affect adhesion.
- Optional: The complete area sealed with two coats of water or oil-based sealer, to ensure proper adhesion of the Shower Wall System.
- Complete the installation of the wall panels following the instruction manual, after the sealer has completely dried.

### OLD TILE:

- IMPORTANT:** All plastic tiles must be removed. Old ceramic tiles do not need to be removed, if solidly adhered.
- Depending on the condition (flatness) of the existing wall, additional silicone may be required to properly secure the wall panels to the substrate.
  - Properly remove and or reattach any loose ceramic tiles.
  - Remove all tile accessories attached to the wall. Surface must be completely clean. This includes but not limited to soap scum, dust and any other contaminants that may affect adhesion.
  - Complete the shower wall installation by following the instruction manual.

### PLASTER:

- Additional silicone may be required to properly secure the substrate and the wall panel, depending on the condition of the existing wall.
- Smooth all textured and/or swirled finishes by sanding.
- Surface must be completely clean. This includes but not limited to soap scum, dust and any other contaminants that may affect adhesion.
- Recommended: The complete area sealed with two coats of water or oil-based sealer, to ensure proper adhesion of the Shower Wall System.

- Complete the installation of the wall panels following the instruction manual, after the sealer has completely dried.

### SHEETROCK/GREENBOARD/CEMENT BOARD/ WOOD:

- Surface must be completely clean and free of soap scum, dust, and any other contaminants that may affect adhesion.
- Optional: The complete area sealed with two coats of water or oil-based sealer, to ensure proper adhesion of the Shower Wall System.
- Complete the installation of the wall panels following the instruction manual, after the sealer has completely dried.

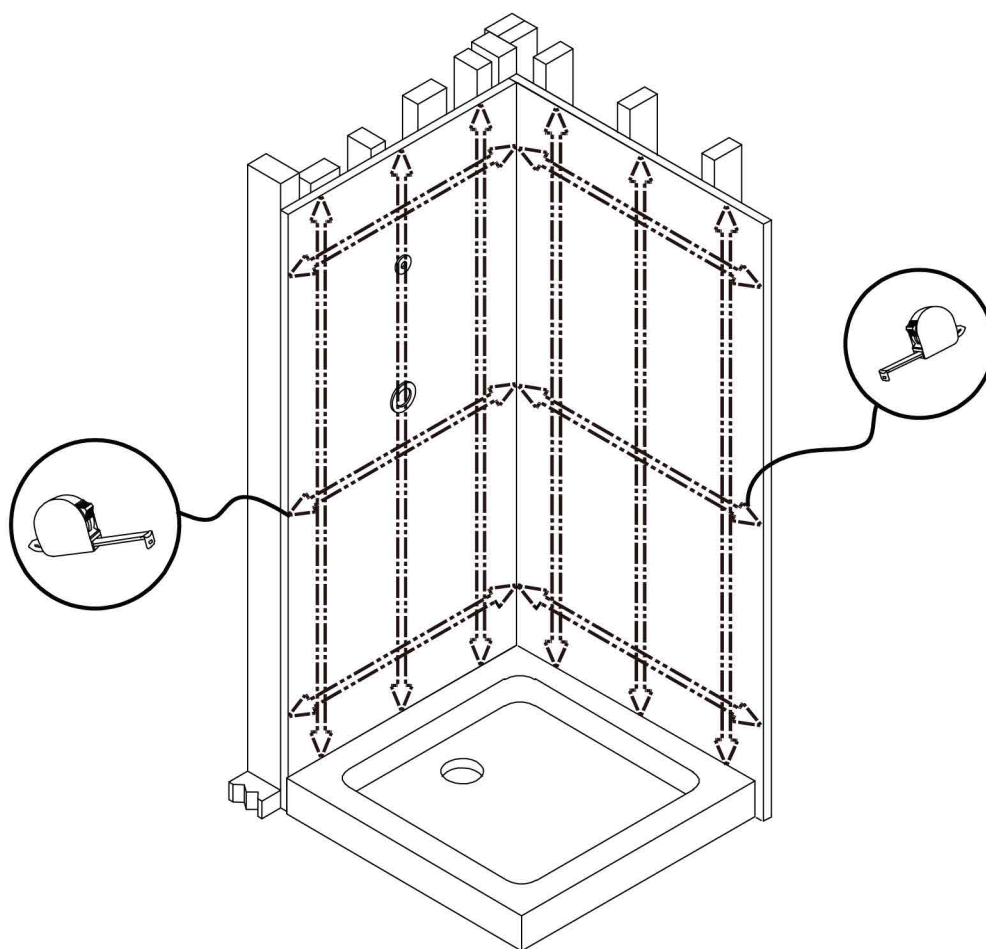


## 1 MEASURING

1. Measure the height of installation area at both ends of each wall. From top of the shower pan to the ceiling. If the ceiling height is less than the height of the panels included in your kit, the panels can be cut down using the same cutting procedure outlined in Step 2.
2. Measure width of each wall at top and bottom of installation area.

### Important Note:

- There are a total of 6 wall panels in a standard product.
- Adding optional accent panels increases the total number of wall panels to 8, resulting in an overall height increase of 8 inches. Exercise caution during the measuring and cutting process.
- **Steps 2 & 3 will be repeated when installing Standard 6-Panel kit / Optional Accent 8-Panel kit.**



## 2 CUTTING

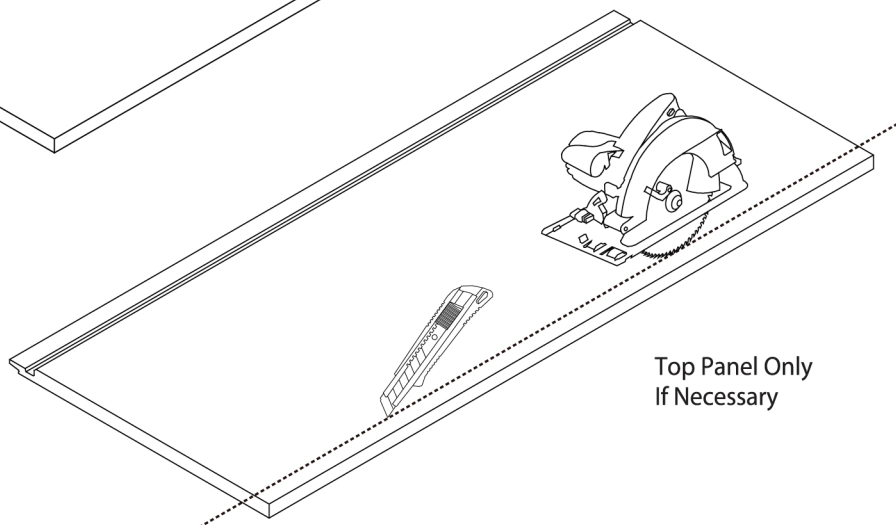
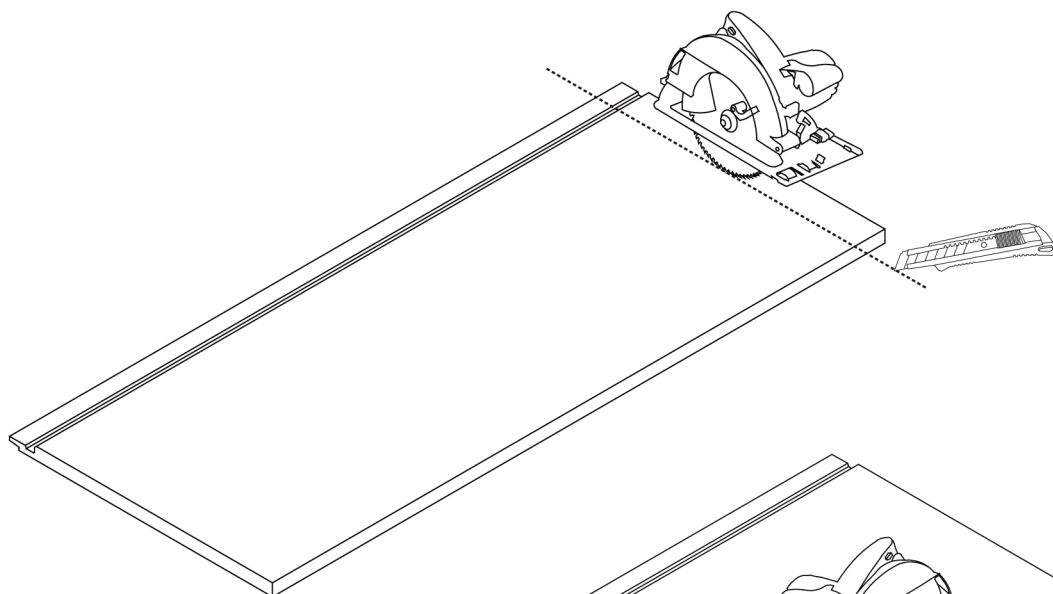
**Important Note:** The arrows on the label on the back of each panel indicate the TOP of the Panel. The following cutting instructions should be used when making all cuts.

### Cutting Panels to Size:

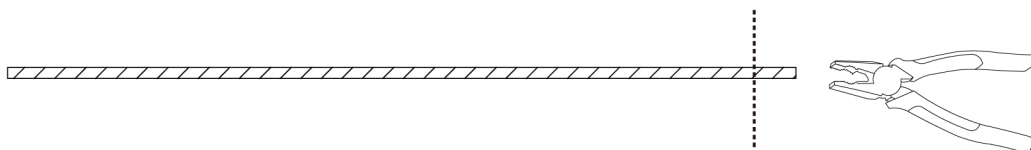
1. Carefully draw a line on the back of each panel where the cut is to be made. Any adjustments for out of square or out of plumb should be considered when drawing this line.

**Note:** Using a straight edge when possible is highly recommended

2. Circular saw is recommended for making required cuts. If using utility knife, score the line several times and then use locking pliers to snap off the excess piece as shown.



Top Panel Only  
If Necessary



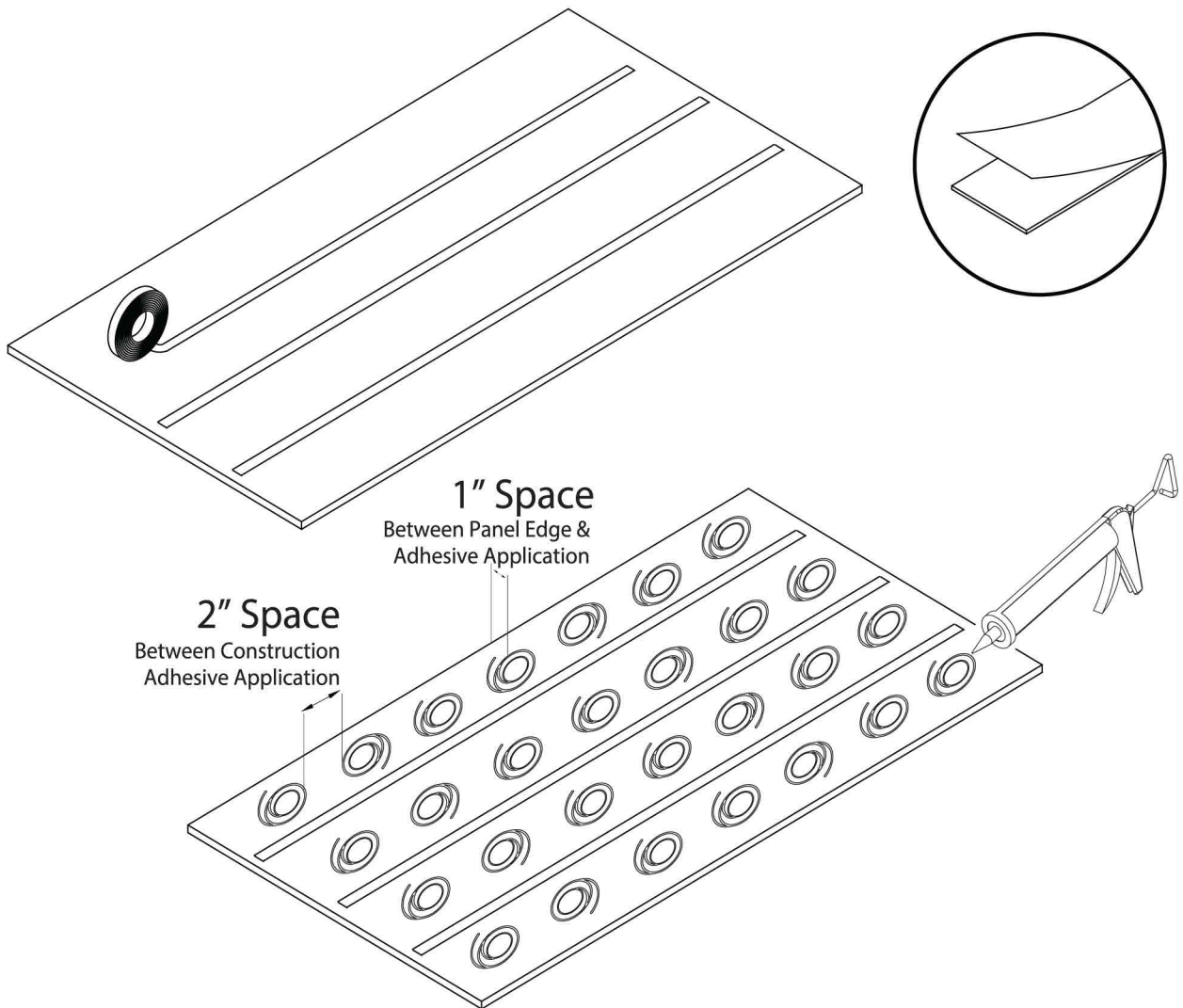
**3**

## APPLYING ADHESIVE AND TAPE TO BACK SIDE OF WALL PANELS

The following instructions should be used when applying tape and adhesive to each wall panel.

1. Apply double-sided construction tape to the back of the wall panel as shown.
2. Apply construction grade adhesive to the spaces between the tape as shown in a circular pattern. The beads of adhesive should be 2" apart and up to, but no closer than 1" from the panel edge.

**Important: The circular pattern is critical for proper adhesion.**



## 4 INSTALL RIGHT SIDE WALL PANEL

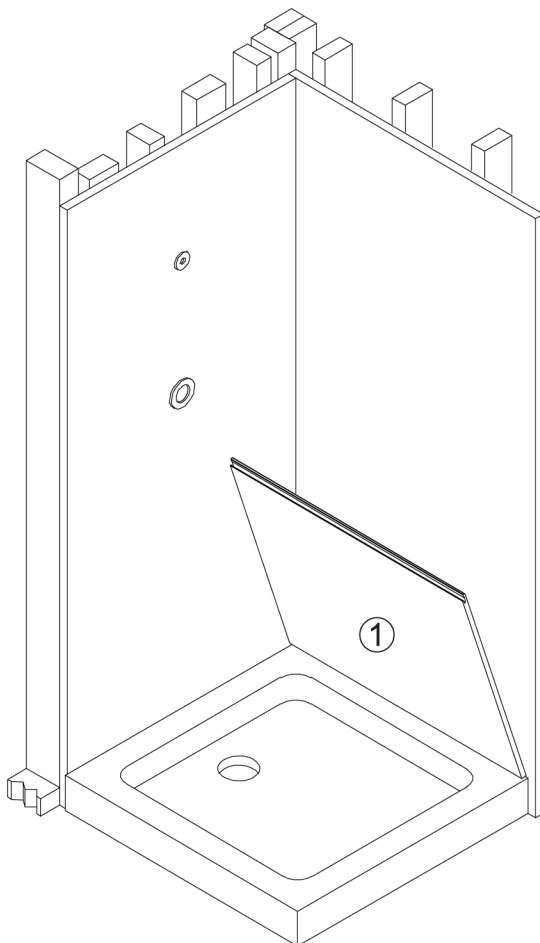
**Important Note:** Failure to install the back wall panels in the correct order may cause the pattern across the back wall not to appear continuous.

**Important Note:** The arrows on the label on the back of each panel indicate the TOP of the Panel.

**Note:** Your kit contains 6 wall panels (labeled on the back as **(1) First Right Side Panel**, **(2) Second Right Side Panel** **(3) Third Right Side Panel** and **(4) (5) (6) Left Side Panel**). **Optional Accent Panel** (labeled on the back as **(B) (C) Optional Accent Panel**).

**Important Note:** Discard Panel A - not applicable for Neo-Angle Shower.

1. Locate the panel labeled **(1) First Right Side Panel** and lay it down on a flat surface.
2. Based on your measurements from Step 1 (Measuring) cut the panel to the appropriate size and make any required plumbing cut-outs according to the instructions in Step 2 (Cutting).
3. Apply the double-sided tape and construction adhesive as explained in Step 3.
4. Peel off back of double-sided tape from the back of the panel. Position the panel at approximately 30 degrees, push the cut edge into the corner and then carefully push the panel towards the back wall. Shim if necessary.
5. Push panel firmly against the wall smoothing out any air bubbles along the entire area and then lightly tap on wall panel with a rubber mallet from top to bottom to ensure it is tightly connected to the wall.



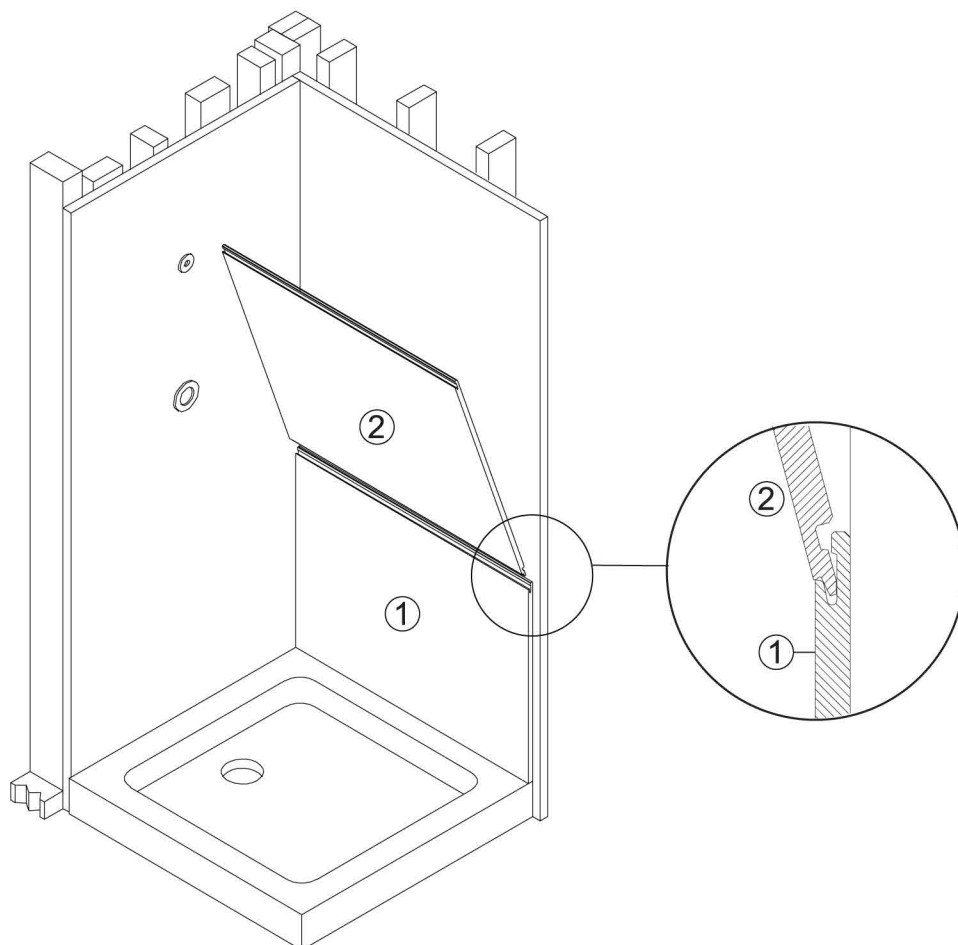
## 5 INSTALL RIGHT SIDE WALL PANEL

**Important Note:** The arrows on the label on the back of each panel indicate the TOP of the Panel.

1. Locate the panel labeled **(2) Second Right Side Panel** and lay it down on a flat surface.
2. Based on your measurements from Step 1 (Measuring) trim the width (Do not cut off the interlocking feature, adjust width only), if necessary, and make any required plumbing cut-outs according to the instructions in Step 2 (Cutting).
3. Apply the double-sided tape and construction adhesive as explained in Step 3.
4. Peel off back of double-sided tape from the back of the panel. Position the panel at an angle of approximately 45 degrees, and carefully push the tongue edge into the groove in the trailing edge of the **(1) First Right Side Panel**. Move the panel gently while exerting forward pressure and carefully push it toward the back wall.

**Important Note:** Great care must be taken when installing this panel. The watertight seal depends on the tongue being firmly inserted into the groove before the panel is pushed back into position and height alignment cannot be adjusted once the panel clicks into place.

5. Press against the wall smoothing out any air bubbles along the entire area and then lightly tap on wall panel with a rubber mallet from top to bottom to ensure it is tightly connected to the wall.





## 6 INSTALL RIGHT SIDE WALL PANEL

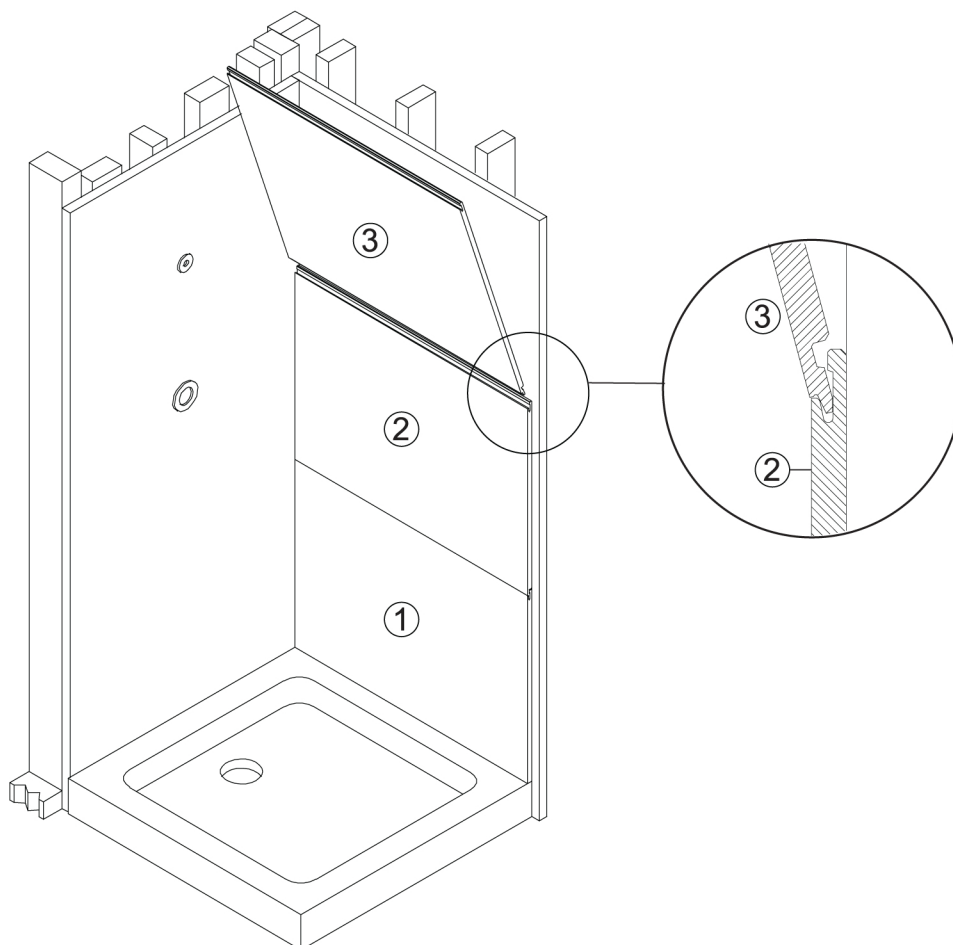
**Important Note:** The arrows on the label on the back of each panel indicate the TOP of the Panel.

1. Locate the panel labeled **(3) Third Right Side Panel** and lay it down on a flat surface.
2. Based on your measurements from Step 1 (Measuring) trim the width, if necessary, and make any required plumbing cut-outs according to the instructions in Step 2 (Cutting).
3. Apply the double-sided tape and construction adhesive as explained in Step 3.
4. Peel off back of double-sided tape from the back of the panel. Position the panel at an angle of approximately 45 degrees, and carefully push the tongue edge into the groove in the trailing edge of the **(2) Second Right Side Panel**. Move the panel gently while exerting forward pressure and carefully push it toward the back wall.

**Important Note:** Great care must be taken when installing this panel. The watertight seal depends on the tongue being firmly inserted into the groove before the panel is pushed back into position and height alignment cannot be adjusted once the panel clicks into place.

5. Press against the wall smoothing out any air bubbles along the entire area and then lightly tap on wall panel with a rubber mallet from top to bottom to ensure it is tightly connected to the wall.

**Note:** If not installing with Accent Panel, go to Step 7.



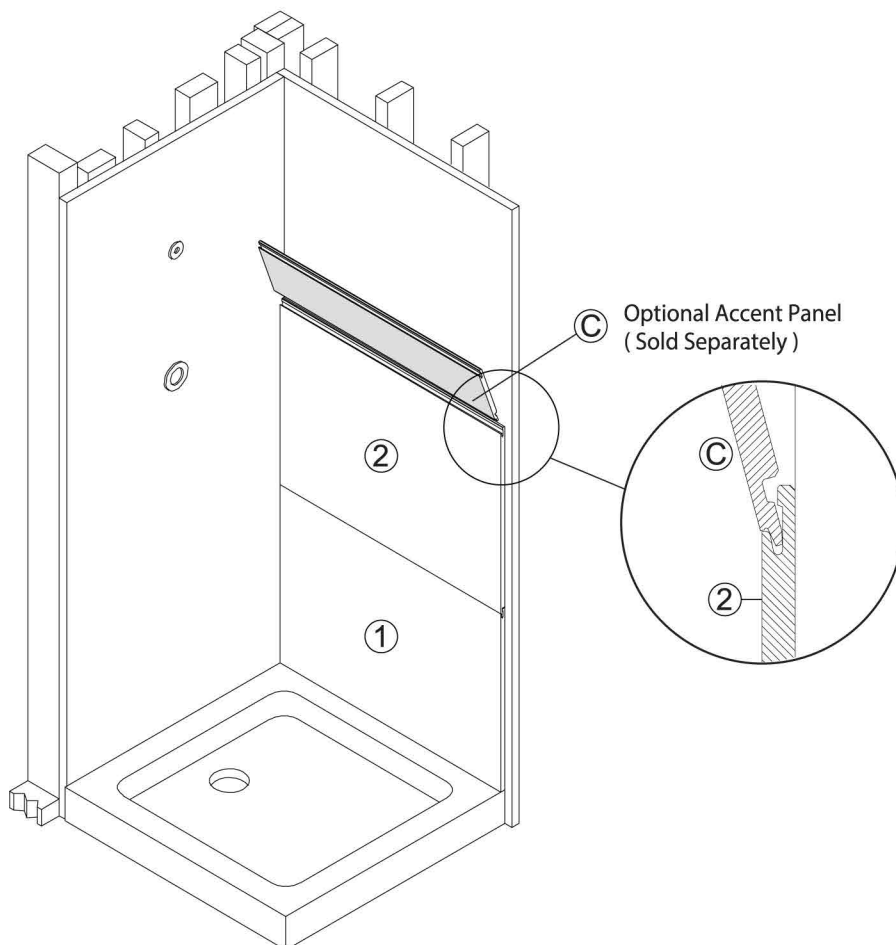
## 6a INSTALL RIGHT SIDE ACCENT PANEL

**Important Note:** The arrows on the label on the back of each panel indicate the TOP of the Panel.

1. Locate the panel labeled **(C) Right Accent Panel** and lay it down on a flat surface.
2. Based on your measurements from Step 1 (Measuring) trim the width, if necessary, and make any required plumbing cut-outs according to the instructions in Step 2 (Cutting).
3. Apply the double-sided tape and construction adhesive as explained in Step 3.
4. Peel off back of double-sided tape from the back of the panel. Position the panel at an angle of approximately 45 degrees, and carefully push the tongue edge into the groove in the trailing edge of the **(2) Second Right Side Panel**. Move the panel gently while exerting forward pressure and carefully push it toward the back wall.

**Important Note:** Great care must be taken when installing this panel. The watertight seal depends on the tongue being firmly inserted into the groove before the panel is pushed back into position and height alignment cannot be adjusted once the panel clicks into place.

5. Press against the wall smoothing out any air bubbles along the entire area and then lightly tap on wall panel with a rubber mallet from top to bottom to ensure it is tightly connected to the wall.



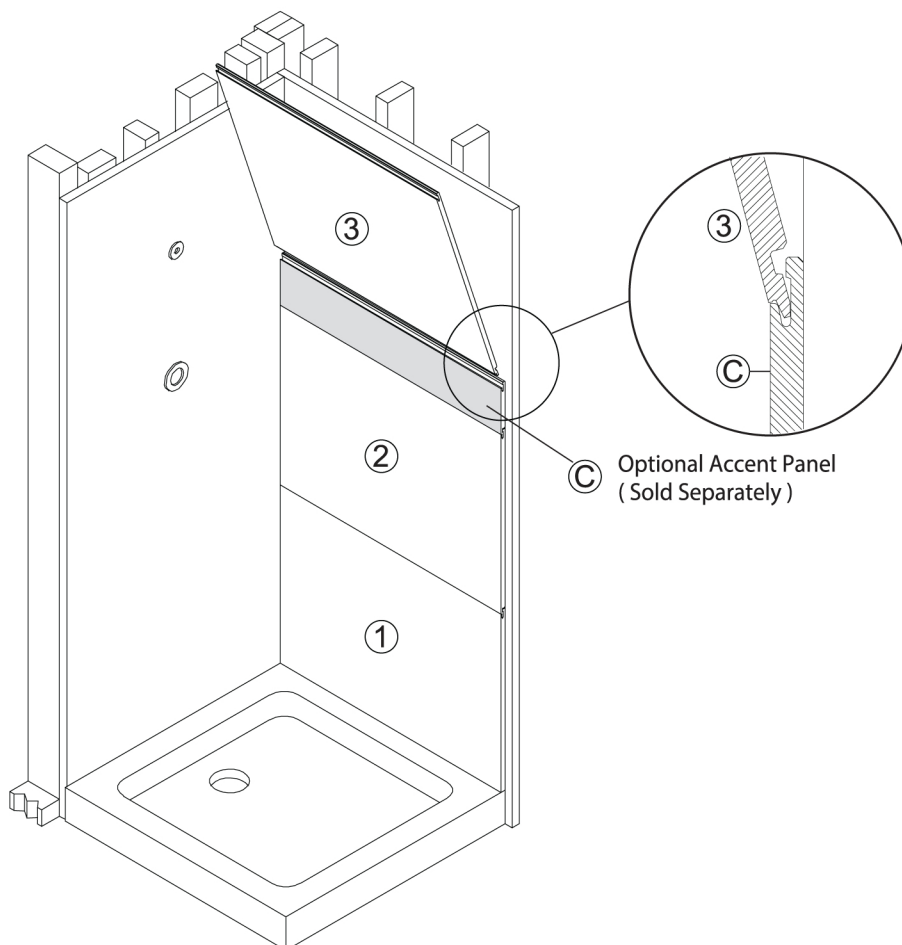
## 6b INSTALL RIGHT SIDE WALL PANEL

**Important Note:** The arrows on the label on the back of each panel indicate the TOP of the Panel.

1. Locate the panel labeled **(3) Third Right Side Panel** and lay it down on a flat surface.
2. Based on your measurements from Step 1 (Measuring) trim the width, if necessary, and make any required plumbing cut-outs according to the instructions in Step 2 (Cutting).
3. Apply the double-sided tape and construction adhesive as explained in Step 3.
4. Peel off back of double-sided tape from the back of the panel. Position the panel at an angle of approximately 45 degrees, and carefully push the tongue edge into the groove in the trailing edge of the **(C) Right Accent Panel**. Move the panel gently while exerting forward pressure and carefully push it toward the back wall.

**Important Note:** Great care must be taken when installing this panel. The watertight seal depends on the tongue being firmly inserted into the groove before the panel is pushed back into position and height alignment cannot be adjusted once the panel clicks into place.

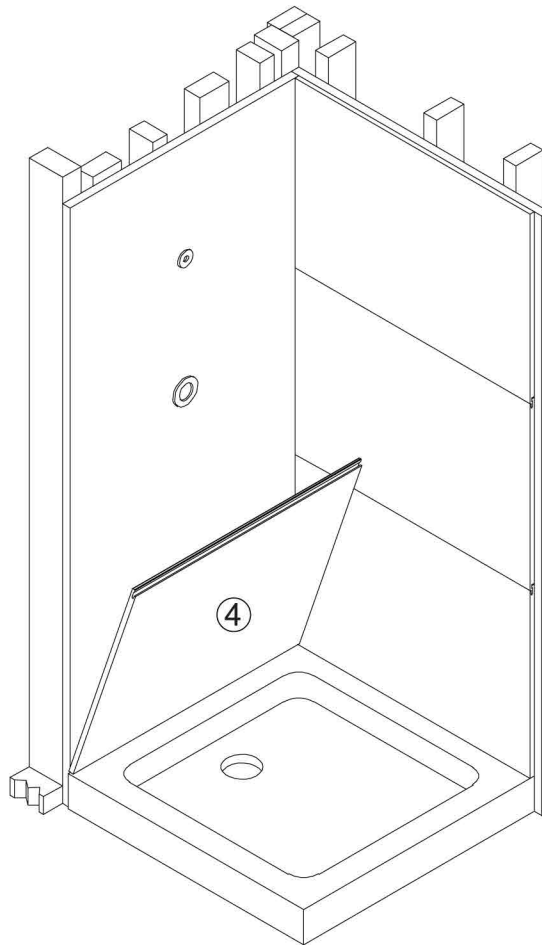
5. Press against the wall smoothing out any air bubbles along the entire area and then lightly tap on wall panel with a rubber mallet from top to bottom to ensure it is tightly connected to the wall.



## 7 INSTALL LEFT SIDE WALL PANEL

**Important Note:** The arrows on the label on the back of each panel indicate the TOP of the Panel.

1. Locate the panel labeled **(4) First Left Side Panel** and lay it down on a flat surface.
2. Based on your measurements from Step 1 (Measuring) cut the panel to the appropriate size and make any required plumbing cut-outs according to the instructions in Step 2 (Cutting).
3. Apply the double-sided tape and construction adhesive as explained in Step 3.
4. Peel off back of double-sided tape from the back of the beveled edge wall panel.
5. Position the panel at approximately 30 degrees, push the panel edge into the corner and then carefully push the panel back towards the wall. Shim if necessary.

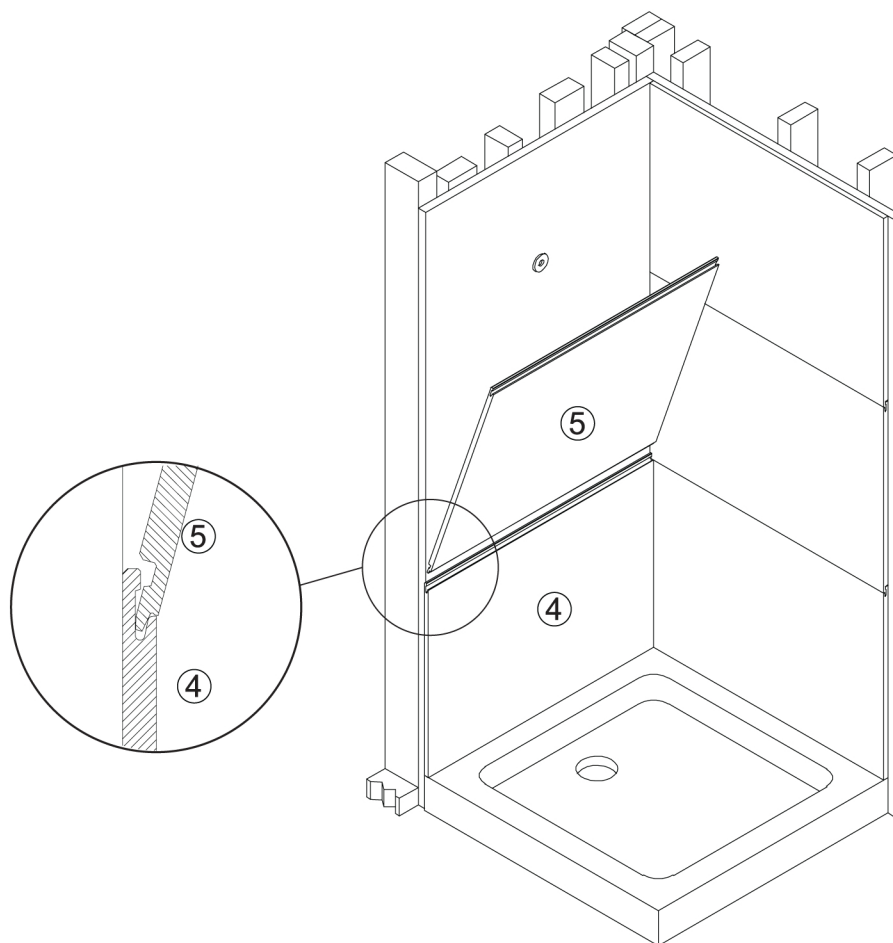


6. Press against the wall smoothing out any air bubbles along the entire area and then lightly tap on wall panel with a rubber mallet from top to bottom to ensure it is tightly connected to the wall.

## 8 INSTALL LEFT SIDE WALL PANEL

**Important Note:** The arrows on the label on the back of each panel indicate the TOP of the Panel.

1. Lay **(5) Second Left Side Panel** down on a flat surface.
2. Based on your measurements from Step 1 (Measuring) cut the panel to the appropriate size and make any required plumbing cut-outs according to the instructions in Step 2 (Cutting).
3. Apply the double-sided tape and construction adhesive as explained in Step 3.
4. Peel off back of double-sided tape from the back of the beveled edge wall panel.
5. Position the panel at approximately 30 degrees, push the panel edge into the corner and then carefully push the panel back towards the wall.



6. Press against the wall smoothing out any air bubbles along the entire area and then lightly tap on wall panel with a rubber mallet from top to bottom to ensure it is tightly connected to the wall.



**9 CUTTING**

**Important Note:** The arrows on the label on the back of each panel indicate the TOP of the Panel. The following cutting instructions should be used when making all cuts.

**Plumbing Cut-Outs:**

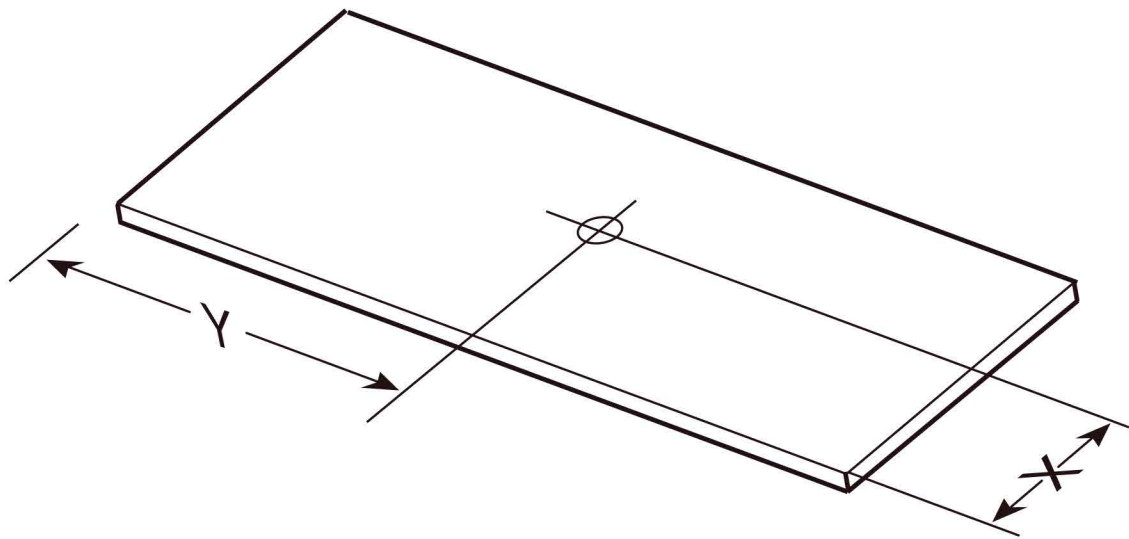
Use a drill and the appropriate size hole saw to create cut-outs for the shower head, filler spout, faucet handles and/or any other cutouts necessary for plumbing that is already in the walls.

**Note:** To be sure your measurements are correct, make a cardboard template to test the plumbing cutouts prior to cutting the panels.

**Important:** Drill chuck can damage the wall panel surface. Drill holes from back side of panel.

**Recessed Accessories:**

If you plan to install a recessed accessory, cut the panel accordingly after it has been fully installed, and had the proper time to adhere to the wall. Remember to be considerate of wall studs when positioning the accessory.



Measure cut-out locations for plumbing fixtures and mark them on the back of the appropriate panel(s).

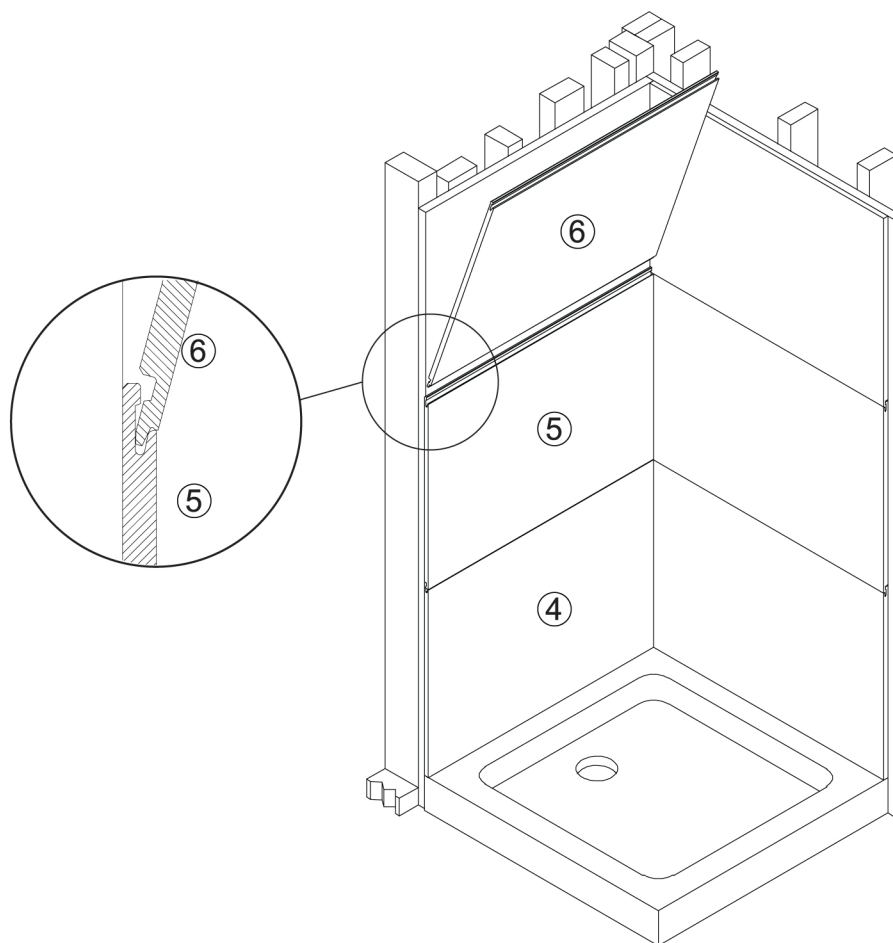
**10**

## INSTALL LEFT SIDE WALL PANEL

**Important Note:** The arrows on the label on the back of each panel indicate the TOP of the Panel.

1. Lay **(6) Third Left Side Panel** down on a flat surface.
2. Based on your measurements from Step 1 (Measuring) cut the panel to the appropriate size and make any required plumbing cut-outs according to the instructions in Step 2 (Cutting).
3. Apply the double-sided tape and construction adhesive as explained in Step 3.
4. Peel off back of double-sided tape from the back of the beveled edge wall panel.
5. Position the panel at approximately 30 degrees, push the panel edge into the corner and then carefully push the panel back towards the wall.

**Note:** If not installing with Accent Panel, go to Step 11.



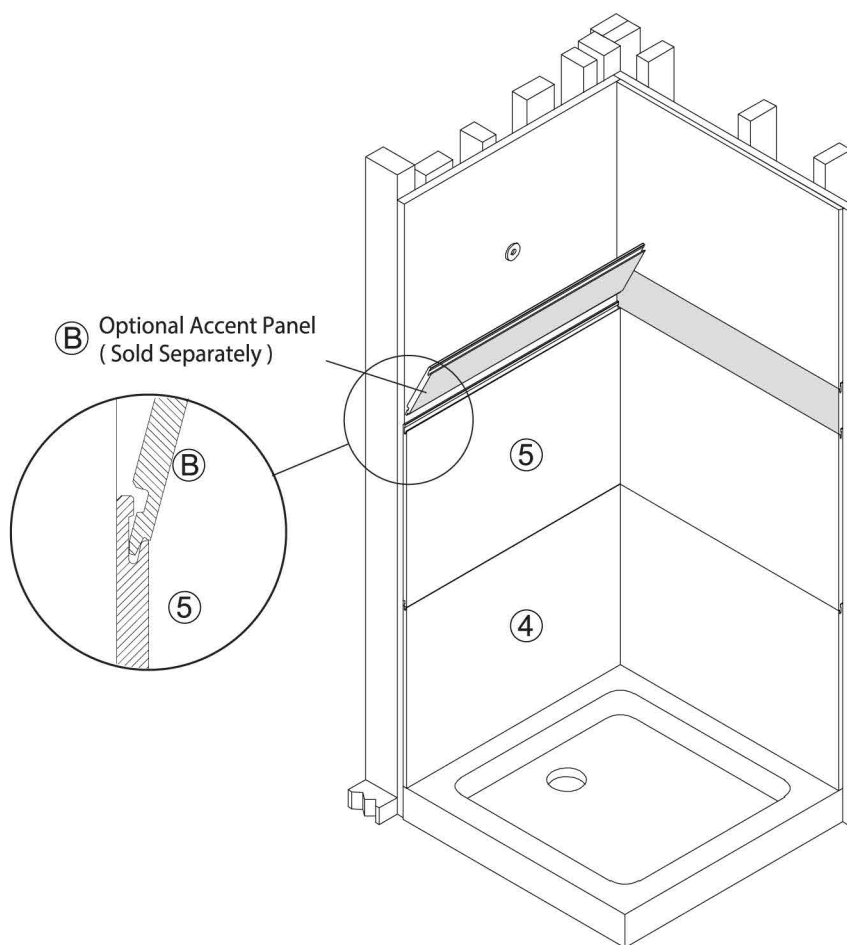
6. Press against the wall smoothing out any air bubbles along the entire area and then lightly tap on wall panel with a rubber mallet from top to bottom to ensure it is tightly connected to the wall.

10a

## INSTALL LEFT SIDE ACCENT PANEL

**Important Note:** The arrows on the label on the back of each panel indicate the TOP of the Panel.

1. Lay **(B) Left Accent Panel** down on a flat surface.
2. Based on your measurements from Step 1 (Measuring) cut the panel to the appropriate size and make any required plumbing cut-outs according to the instructions in Step 2 (Cutting).
3. Apply the double-sided tape and construction adhesive as explained in Step 3.
4. Peel off back of double-sided tape from the back of the side accent panel.
5. Position the panel at approximately 30 degrees, push the panel edge into the corner and then carefully push the panel back towards the wall.



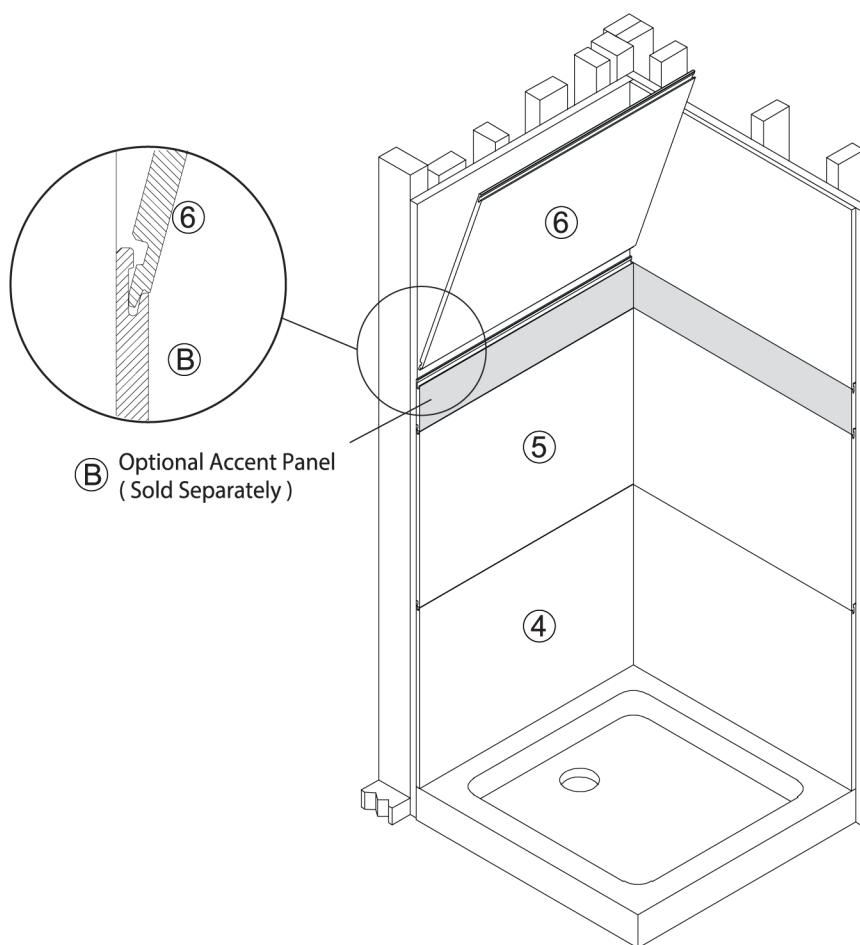
6. Press against the wall smoothing out any air bubbles along the entire area and then lightly tap on wall panel with a rubber mallet from top to bottom to ensure it is tightly connected to the wall.

10b

## INSTALL LEFT SIDE WALL PANEL

**Important Note:** The arrows on the label on the back of each panel indicate the TOP of the Panel.

1. Lay **(6) Third Left Side Panel** down on a flat surface.
2. Based on your measurements from Step 1 (Measuring) cut the panel to the appropriate size and make any required plumbing cut-outs according to the instructions in Step 2 (Cutting).
3. Apply the double-sided tape and construction adhesive as explained in Step 3.
4. Peel off back of double-sided tape from the back of the beveled edge wall panel.
5. Position the panel at approximately 30 degrees, push the panel edge into the corner and then carefully push the panel back towards the wall.



Ⓑ Optional Accent Panel  
(Sold Separately)

6. Press against the wall smoothing out any air bubbles along the entire area and then lightly tap on wall panel with a rubber mallet from top to bottom to ensure it is tightly connected to the wall.

## 11 CAULK CORNERS AND EDGES

Properly caulk around the Shower Wall System to insure a secure fit and finish. This includes but is not limited to:

- Interior corners where shower walls meet.
- Corners where the walls meet the base.
- Outer edge of Side Wall Panels.
- (Optional) Caulking along the top edge of the entire enclosure is not required but may help contribute to a finished look.

**Important Note: Please keep the entire area dry for a minimum of 24 hours to allow the caulk and construction adhesive to properly cure.**

### INSTALLATION: OPTIONAL ACCENT PANEL

